



US00D657778S

(12) **United States Design Patent**
Chiu

(10) **Patent No.:** **US D657,778 S**
(45) **Date of Patent:** **** Apr. 17, 2012**

(54) **REMOTE CONTROL**

(75) Inventor: **Yi-Chung Chiu**, Taoyuan (TW)

(73) Assignee: **Hannspree, Inc.**, New Taipei (TW)

(**) Term: **14 Years**

(21) Appl. No.: **29/389,142**

(22) Filed: **Apr. 7, 2011**

(51) **LOC (9) Cl.** **14-03**

(52) **U.S. Cl.** **D14/218**

(58) **Field of Classification Search** D14/218,
D14/455; D13/168; D21/566; D10/104,
D10/106; 345/169; 348/14.05, 114, 211.99,
348/734; 340/825.24; 341/22; 455/92, 95,
455/128, 151.1-151.4, 352, 355, FOR. 121;
700/65

See application file for complete search history.

(56) **References Cited**

U.S. PATENT DOCUMENTS

D319,229	S	*	8/1991	Hino et al.	D14/126
D335,880	S	*	5/1993	Kanatani et al.	D14/165
D376,366	S	*	12/1996	Patton et al.	D14/218
D398,009	S	*	9/1998	Huppertz et al.	D14/218
D434,027	S	*	11/2000	Barhold et al.	D14/218
D500,494	S	*	1/2005	Borsboom	D14/218
D506,982	S	*	7/2005	Murtaugh et al.	D13/168

D513,233	S	*	12/2005	Stauffer	D13/168
D572,239	S	*	7/2008	Hoehn et al.	D14/218
D580,914	S	*	11/2008	Tsao	D14/218
D580,915	S	*	11/2008	Tsao	D14/218
D584,291	S	*	1/2009	Tsao	D14/218
D600,681	S	*	9/2009	Tsao	D14/218
D618,665	S	*	6/2010	McRae	D14/218
7,782,244	B2	*	8/2010	McRae	341/173
D629,393	S	*	12/2010	Chiu	D14/218
2005/0024321	A1	*	2/2005	Tsai	345/156
2005/0270270	A1	*	12/2005	Chadha	345/157

* cited by examiner

Primary Examiner — John Windmuller

(74) *Attorney, Agent, or Firm* — Bacon & Thomas, PLLC

(57) **CLAIM**

The ornamental design for a remote control, as shown.

DESCRIPTION

FIG. 1 is a perspective view of a remote control showing my new design;

FIG. 2 is a front elevational view thereof;

FIG. 3 is a rear elevational view thereof;

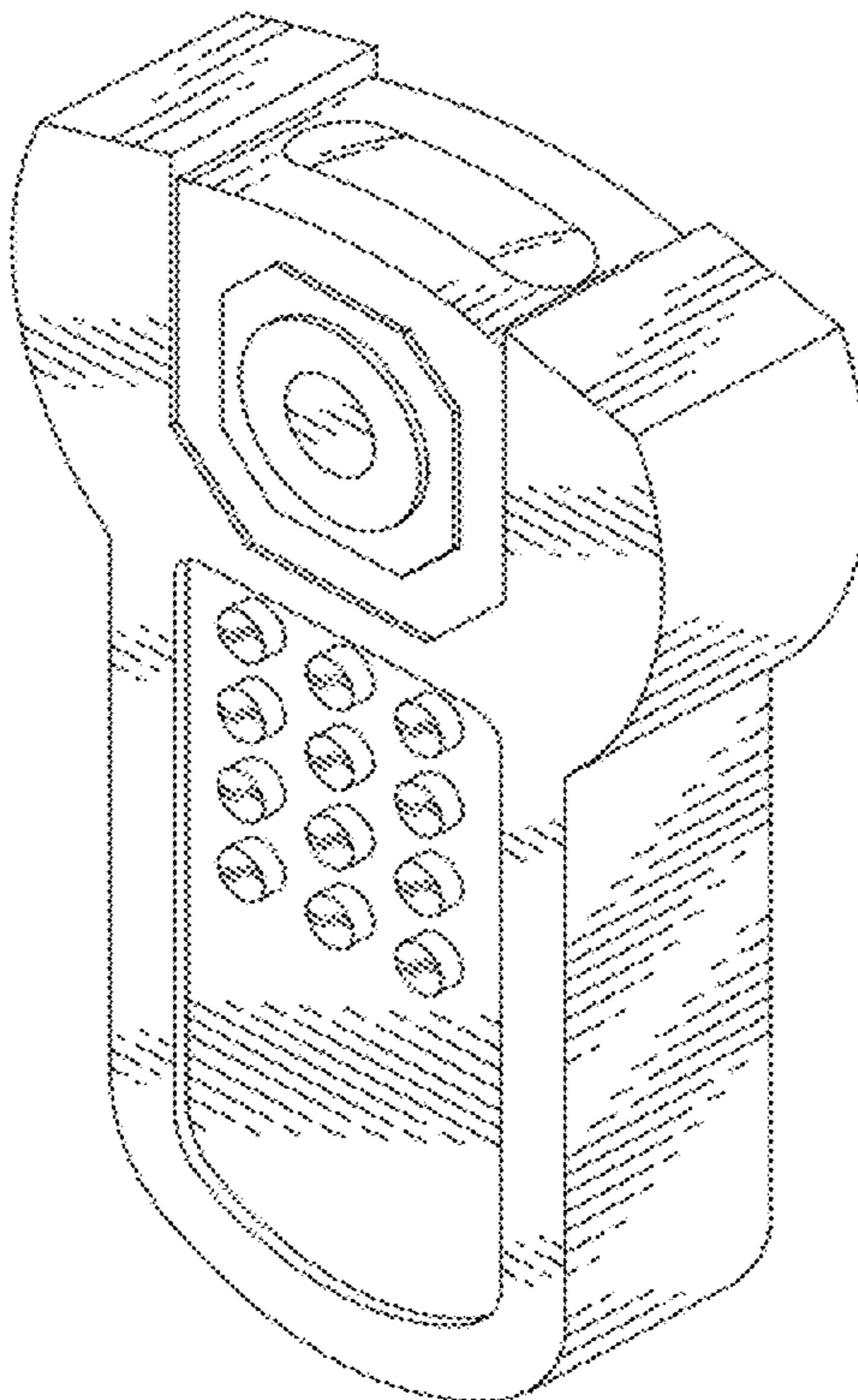
FIG. 4 is a left side elevational view thereof;

FIG. 5 is a right side elevational view thereof;

FIG. 6 is a top plan view thereof; and,

FIG. 7 is a bottom plan view thereof.

1 Claim, 6 Drawing Sheets



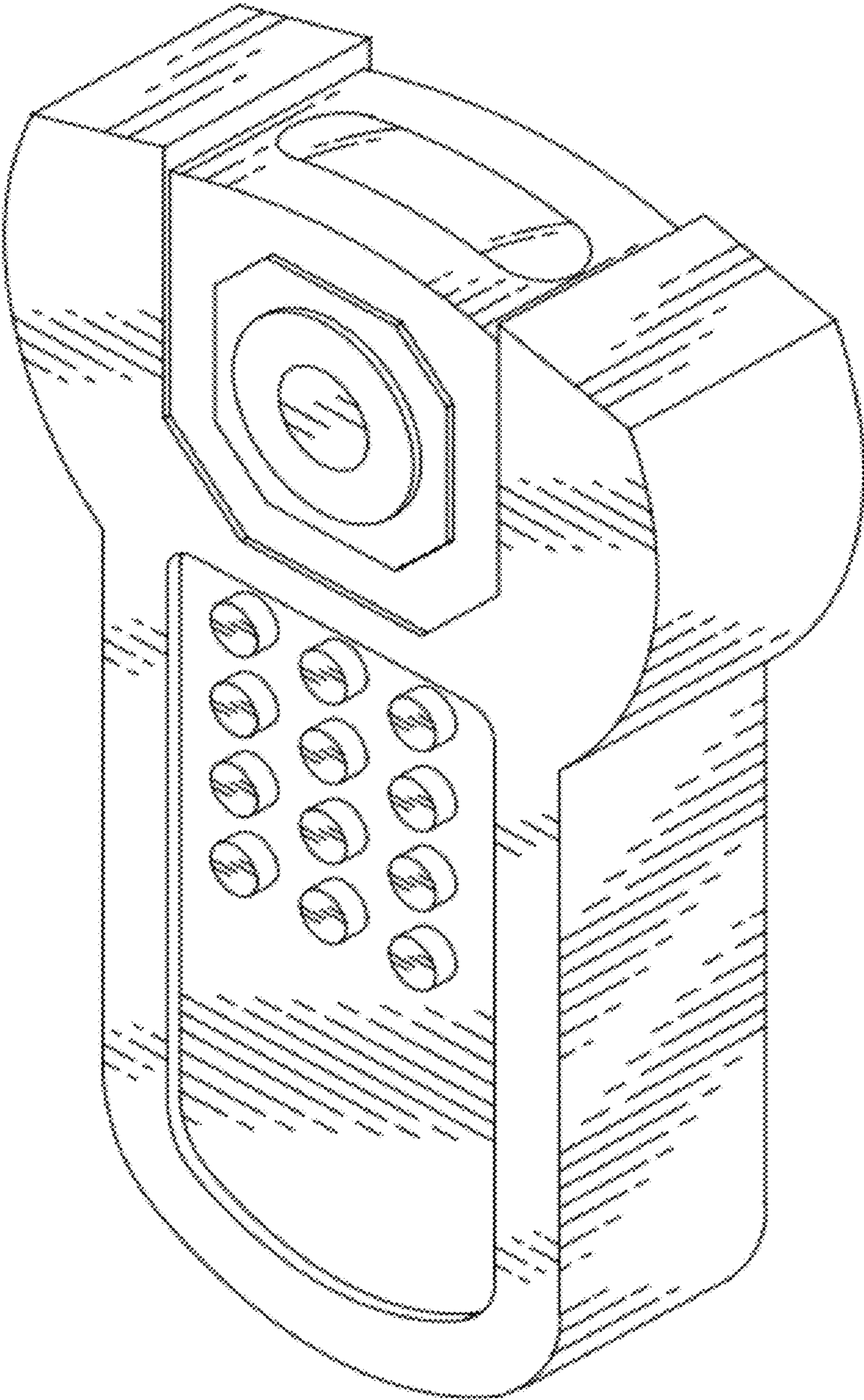


FIG. 1

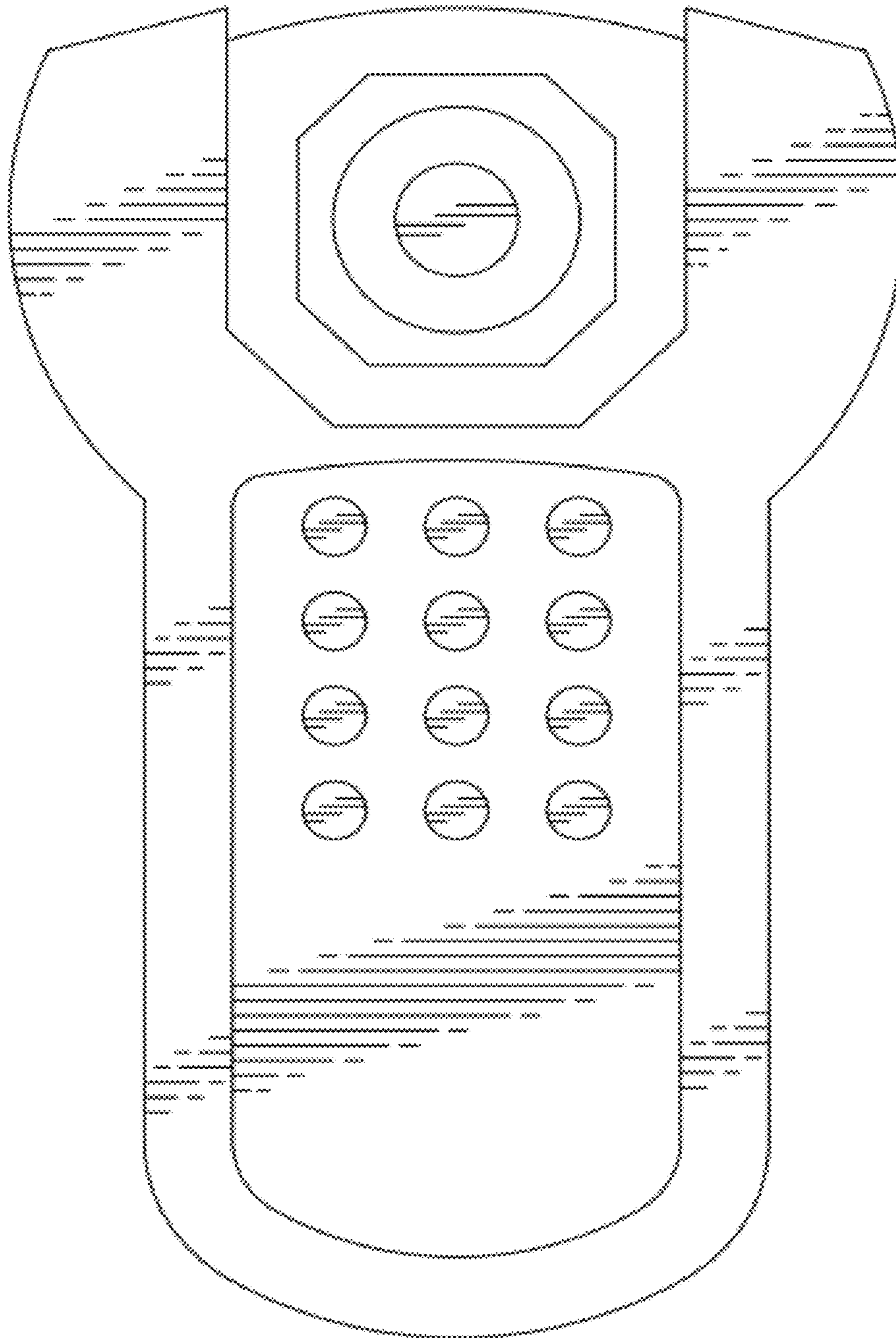


FIG. 2

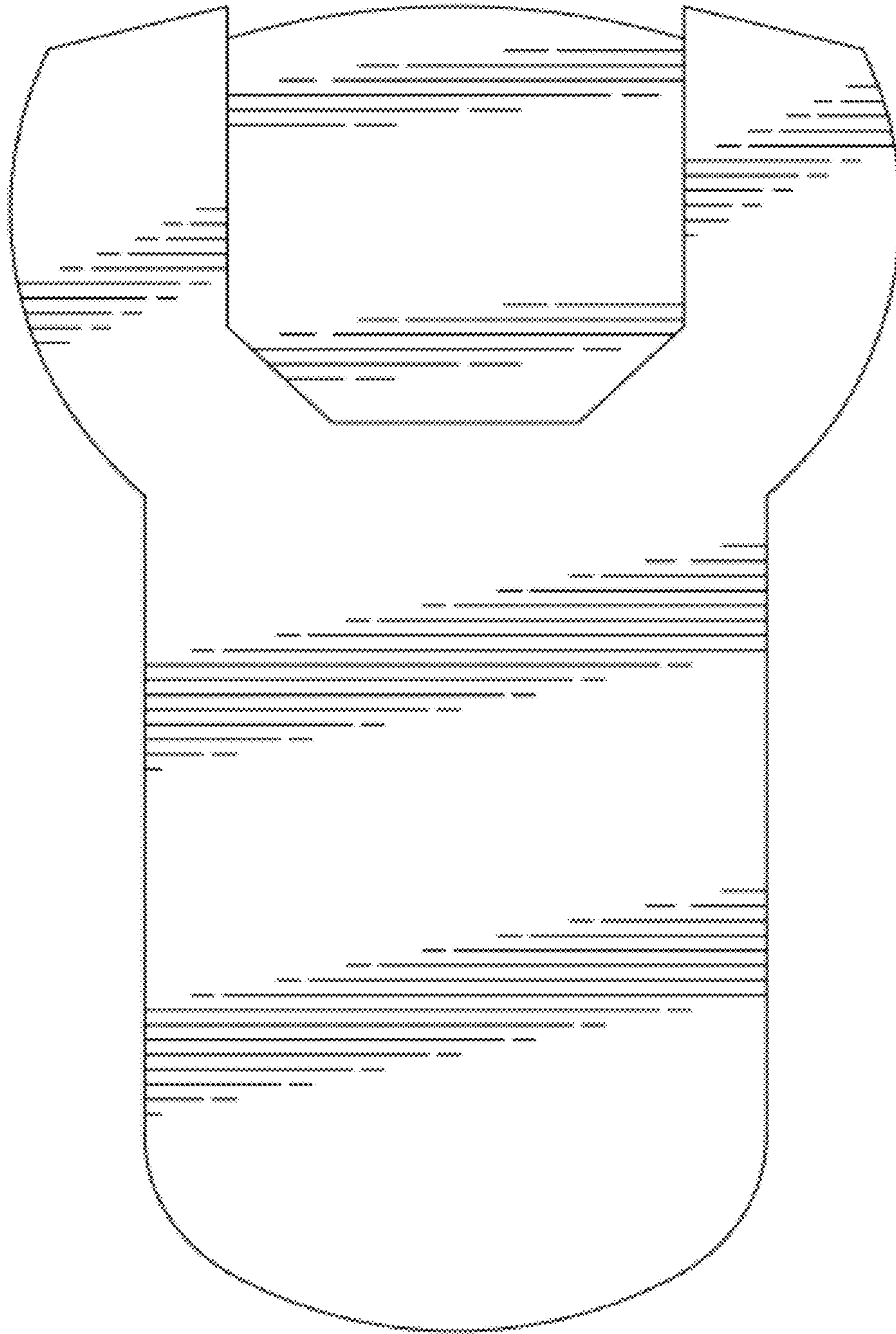


FIG. 3

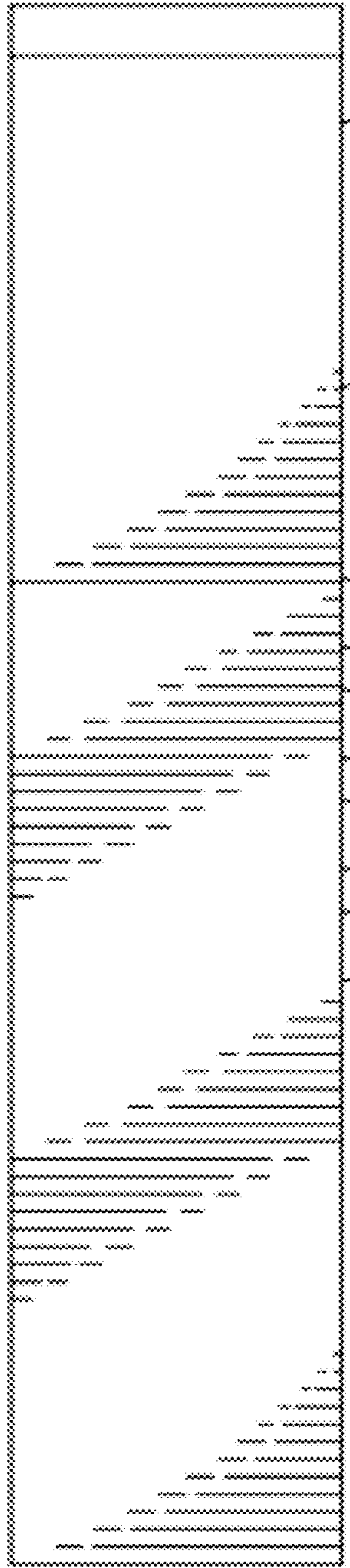


FIG. 4

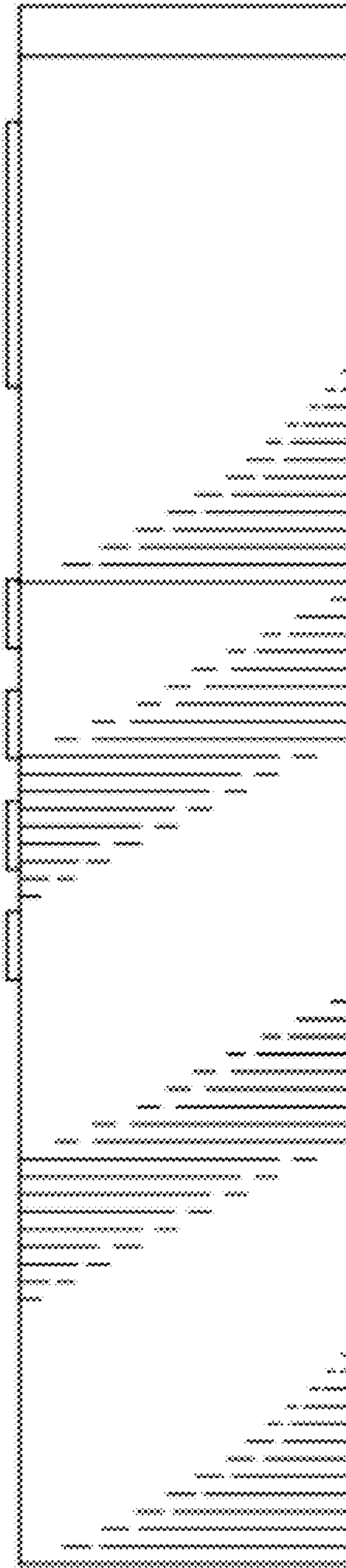


FIG. 5

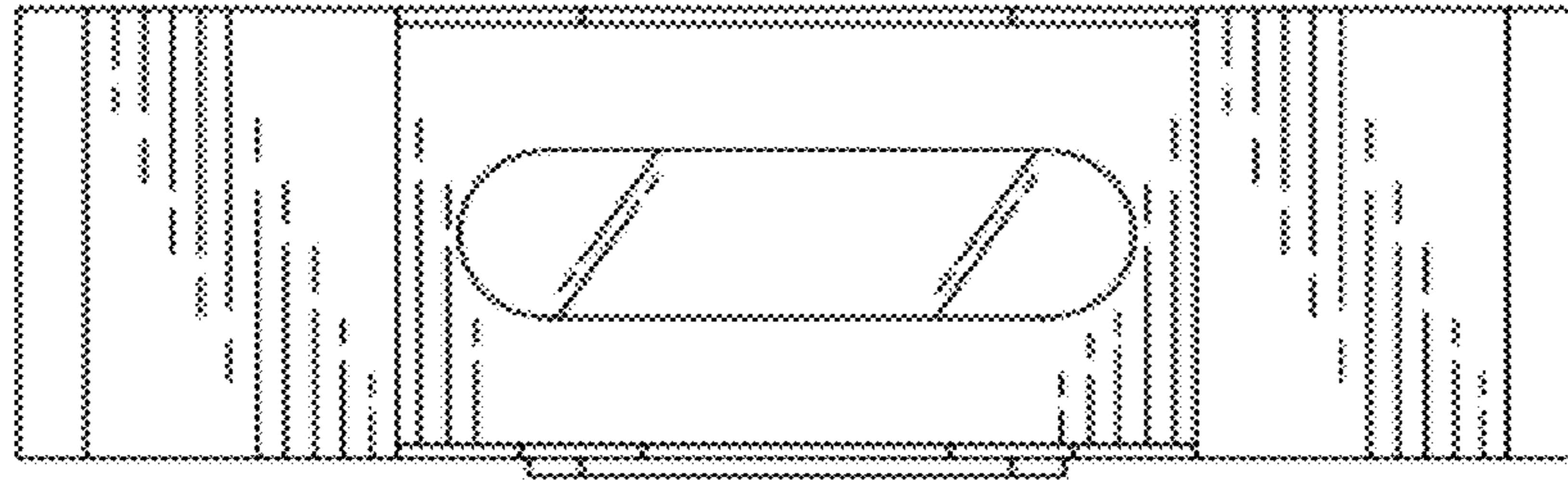


FIG. 6

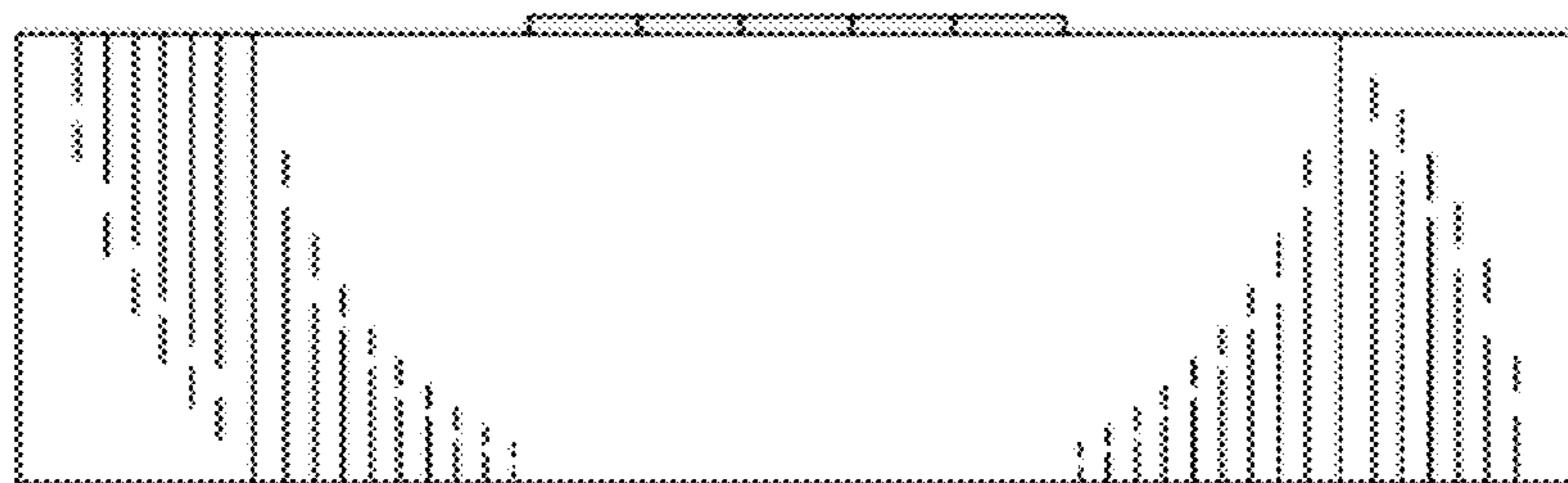


FIG. 7