



US00D657776S

(12) **United States Design Patent**
Lee et al.

(10) **Patent No.:** **US D657,776 S**
(45) **Date of Patent:** **** Apr. 17, 2012**

(54) **HEADPHONES**

(75) Inventors: **Noel Lee**, Las Vegas, NV (US);
Kendrew Lee, Tsing Yi (HK)

(73) Assignee: **Monster Cable Products, Inc.**,
Brisbane, CA (US)

(**) Term: **14 Years**

(21) Appl. No.: **29/382,415**

(22) Filed: **Jan. 3, 2011**

(51) **LOC (9) Cl.** **14-01**

(52) **U.S. Cl.** **D14/205**

(58) **Field of Classification Search** D14/205,
D14/206, 223, 243, 249; 181/129, 130, 135;
379/430, 431; 455/90.3, 575.2; 2/209, 423
See application file for complete search history.

(56) **References Cited**

U.S. PATENT DOCUMENTS

2,490,138	A *	12/1949	Kettler	181/18
3,073,410	A *	1/1963	Gongoll et al.	2/209
3,593,341	A *	7/1971	Aileo	2/209
D229,833	S *	1/1974	Becker	D14/205
4,385,209	A *	5/1983	Greason et al.	381/113
D274,516	S *	7/1984	Walker, Jr.	D14/249
4,459,707	A *	7/1984	Stallings	2/209
D307,275	S *	4/1990	Pollard	D14/249
D328,074	S *	7/1992	Yamazaki et al.	D14/205
5,406,037	A *	4/1995	Nageno et al.	181/129
D407,985	S *	4/1999	Pimentel	D10/104.2
5,996,123	A *	12/1999	Leight et al.	2/209
D463,784	S *	10/2002	Taylor et al.	D14/206
D481,709	S *	11/2003	Solderits	D14/228
D484,485	S *	12/2003	Matsuoka	D14/205
D491,163	S *	6/2004	Green	D14/205
D512,417	S *	12/2005	Hirakawa et al.	D14/223
7,072,483	B2 *	7/2006	Lenhard-Backhaus	381/383
D541,255	S *	4/2007	Taylor et al.	D14/205
D549,688	S *	8/2007	Suzuki	D14/205
D563,382	S *	3/2008	Wikel	D14/205

D573,581	S *	7/2008	Gondo et al.	D14/205
D582,890	S *	12/2008	Koza et al.	D14/205
D585,871	S *	2/2009	Lee	D14/205
D588,098	S *	3/2009	Kurihara	D14/205
D593,995	S *	6/2009	Shimizu	D14/205
D594,441	S	6/2009	Lee et al.	
D594,847	S *	6/2009	Suzuki	D14/205
D598,901	S	8/2009	Lee et al.	
D599,781	S	9/2009	Lee et al.	
D600,674	S *	9/2009	Brennwald	D14/205
D600,675	S	9/2009	Lee et al.	
D603,370	S *	11/2009	Suzuki	D14/205
D603,371	S *	11/2009	Boateng et al.	D14/205
D616,865	S *	6/2010	Marchand et al.	D14/205
7,766,120	B2 *	8/2010	Hansson et al.	181/129
D625,705	S *	10/2010	Ohuri et al.	D14/205
D637,176	S *	5/2011	Brunner et al.	D14/205
D639,775	S *	6/2011	Horibe et al.	D14/205
D639,776	S *	6/2011	Arimoto	D14/205
D642,554	S *	8/2011	Schaal et al.	D14/205

* cited by examiner

Primary Examiner — Paula Greene

(74) *Attorney, Agent, or Firm* — LaRiviere, Grubman & Payne, LLP

(57) **CLAIM**

The ornamental design for headphones, as shown and described.

DESCRIPTION

FIG. 1 is a perspective view of headphones, showing our new design, the opposite perspective view is a mirror image;
FIG. 2 is front view thereof;
FIG. 3 is a rear view thereof;
FIG. 4 is a side view thereof;
FIG. 5 is an opposing side view thereof;
FIG. 6 is a top view thereof; and,
FIG. 7 is a bottom view thereof.
The broken lines showing the environment are for illustrative purposes only and form no part of the claimed design.

1 Claim, 5 Drawing Sheets





Figure 1

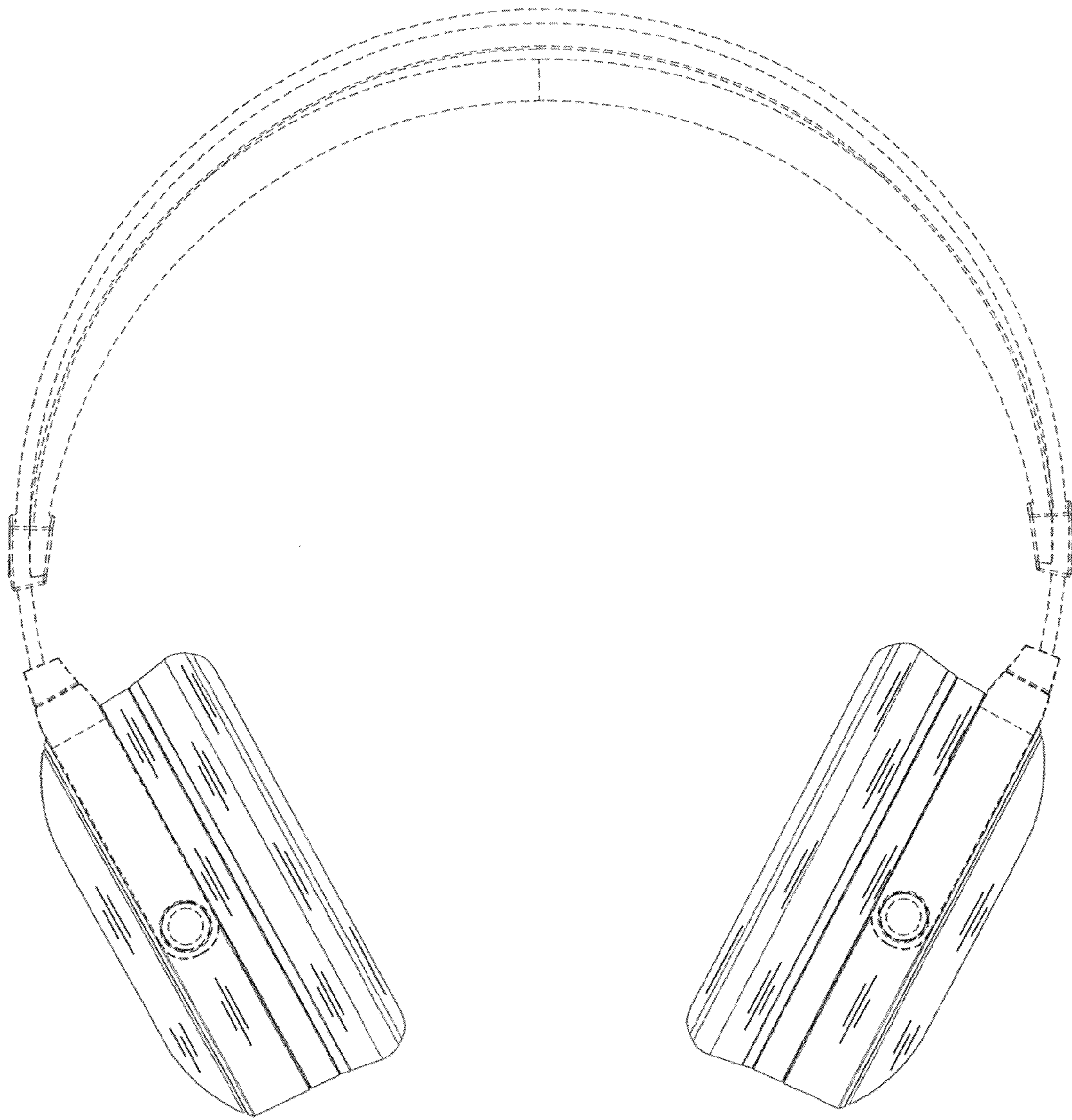


Figure 2

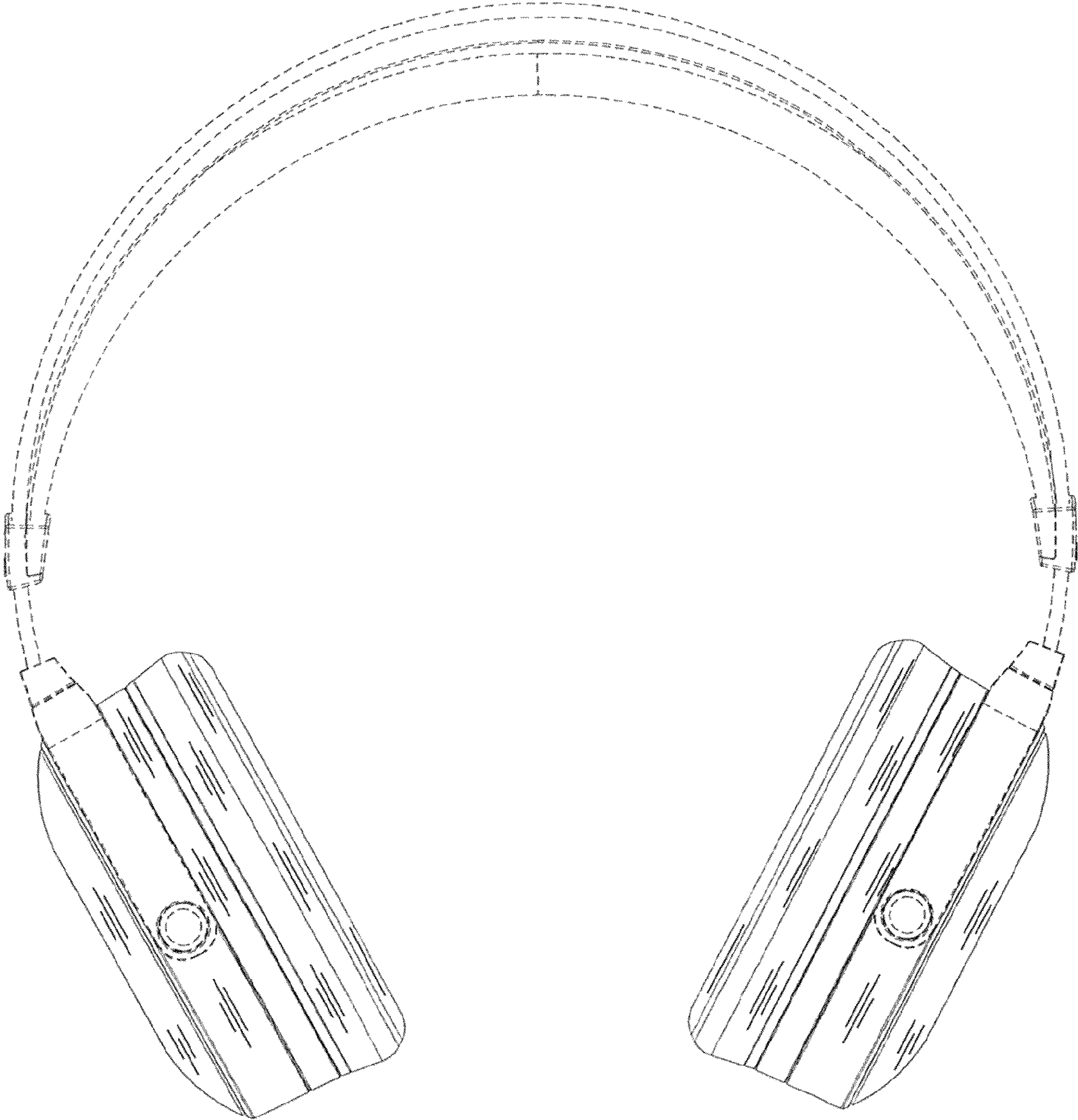


Figure 3

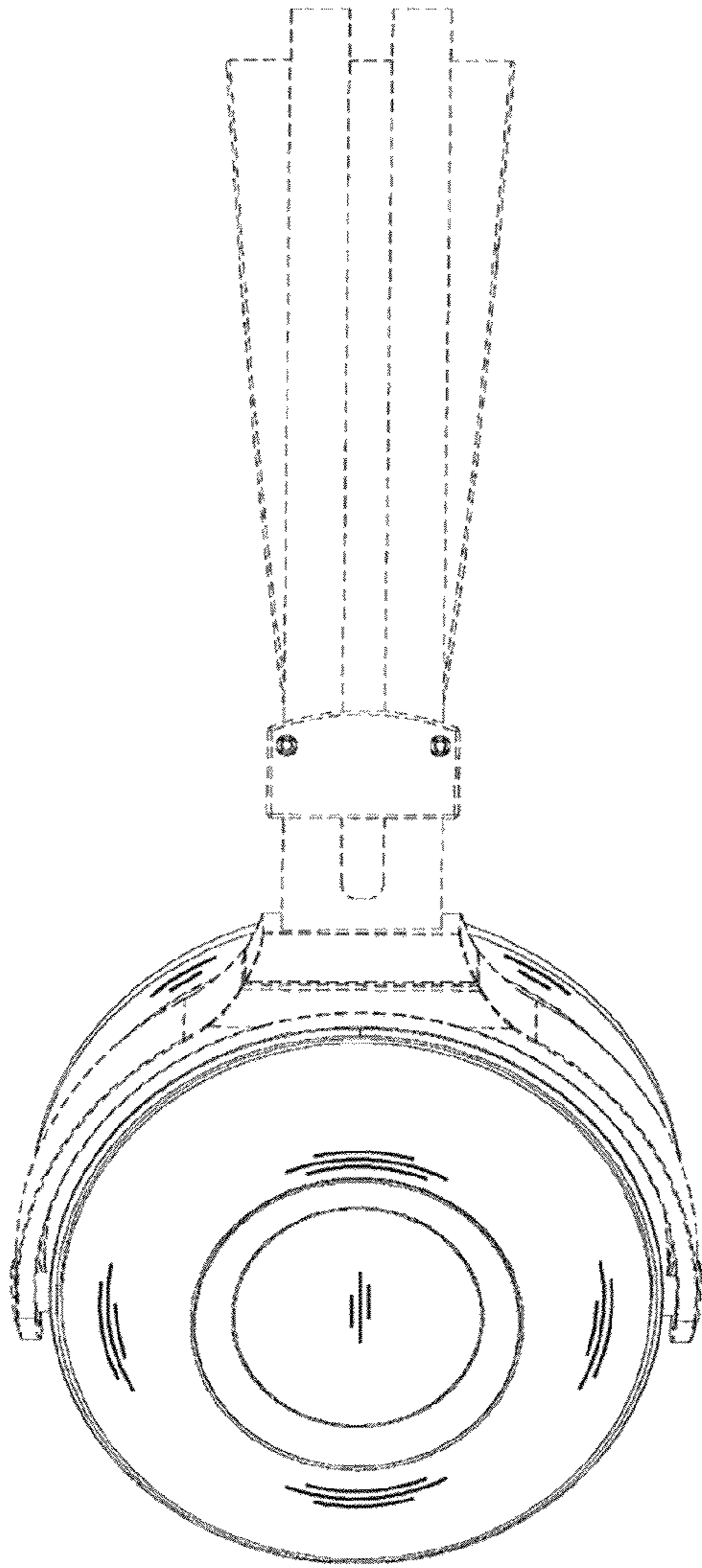


Figure 4

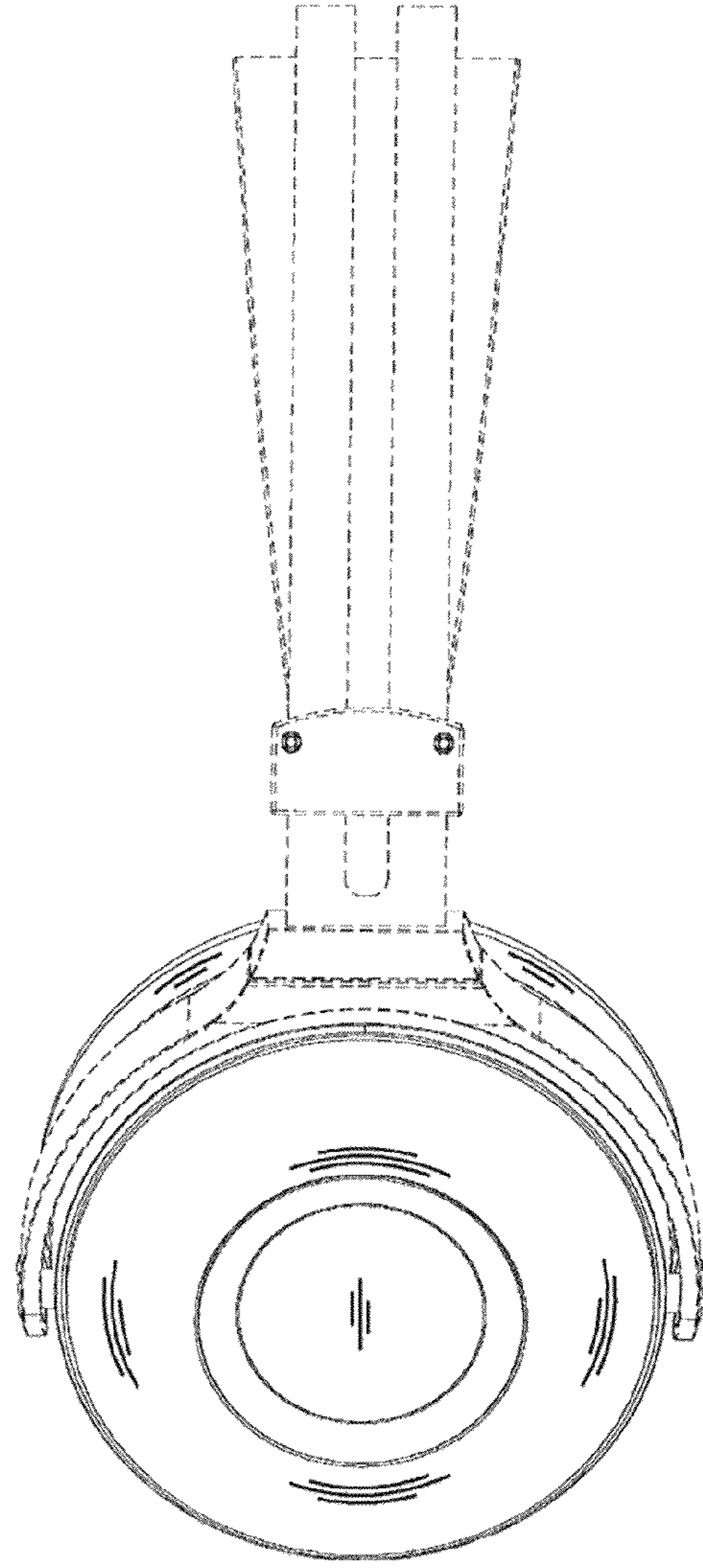


Figure 5

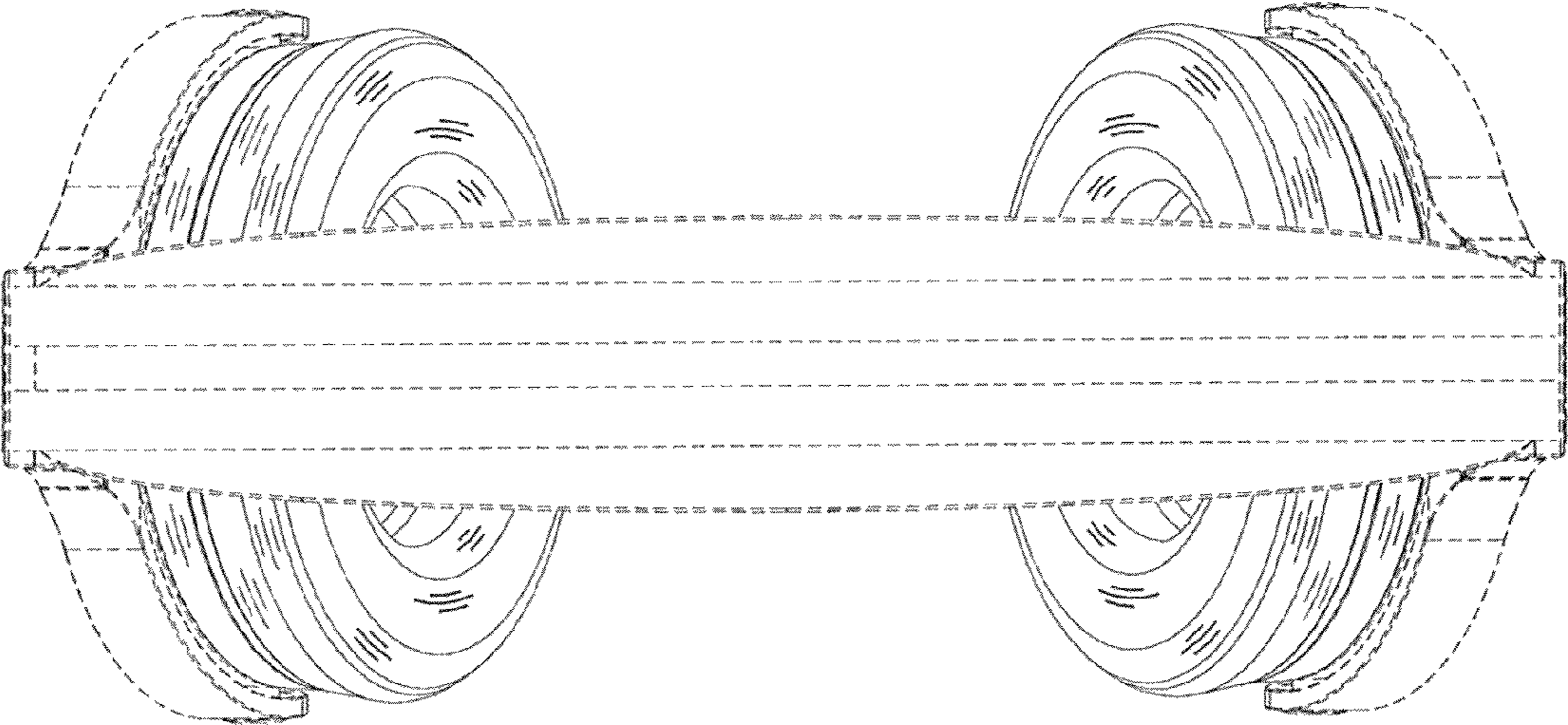


Figure 6

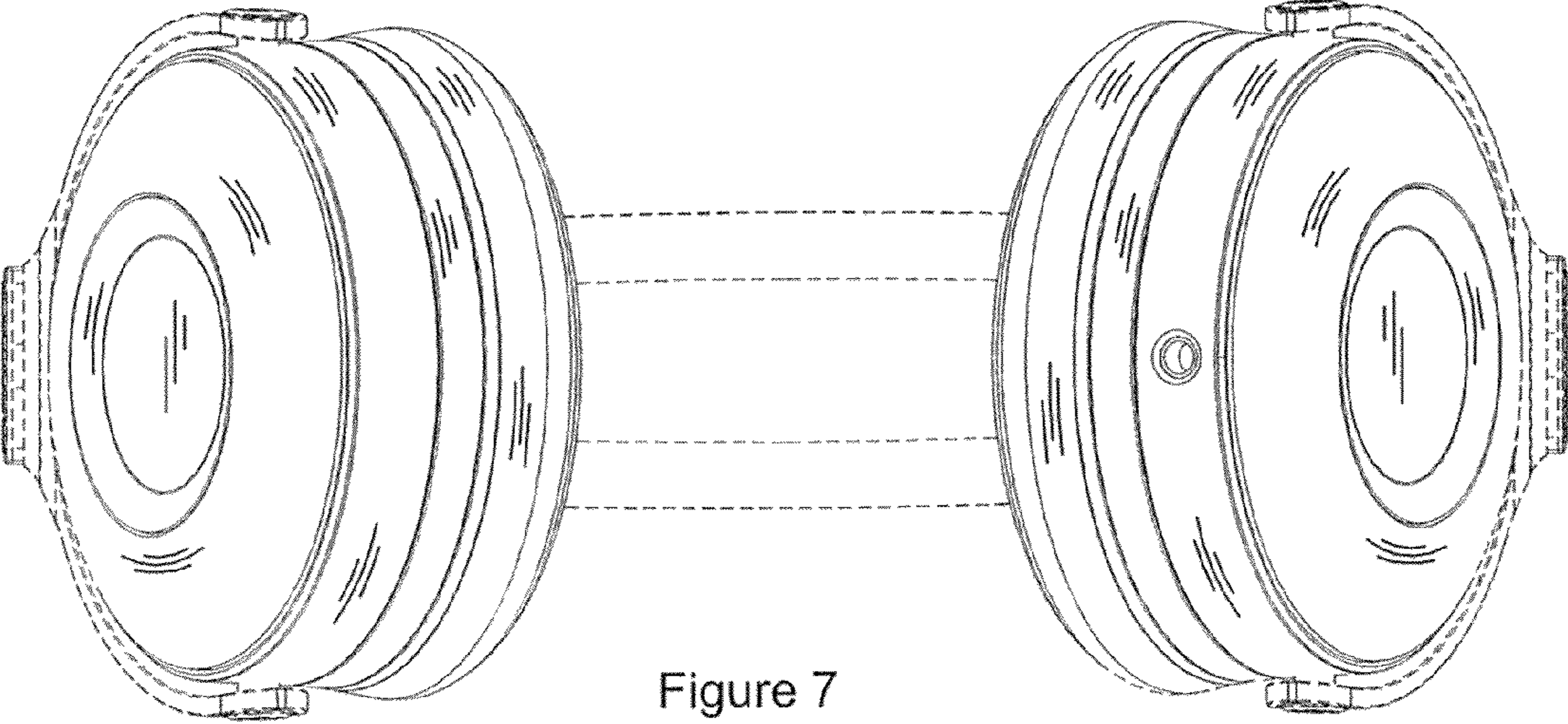


Figure 7