



US00D657774S

(12) **United States Design Patent**  
**Chung et al.**

(10) **Patent No.:** **US D657,774 S**  
(45) **Date of Patent:** **\*\* Apr. 17, 2012**

(54) **MINI COMPONENT AUDIO**  
(75) Inventors: **Yeon-Moo Chung**, Seoul (KR);  
**Min-Hee Lee**, Seoul (KR); **Seok-Won**  
**Hong**, Seoul (KR); **Gyoo-Sang Choi**,  
Seoul (KR)  
(73) Assignee: **Samsung Electronics Co., Ltd.**, Suwon  
(KR)  
(\*\*) Term: **14 Years**

D560,209 S 1/2008 Kim et al.  
D560,211 S 1/2008 Kim et al.  
D560,686 S 1/2008 Kim  
D561,141 S 2/2008 Cho et al.  
D561,142 S 2/2008 Oh  
D561,161 S 2/2008 Cho  
D567,203 S 4/2008 Park  
D570,333 S 6/2008 Cho  
D570,828 S 6/2008 Cho  
D571,785 S 6/2008 Kim  
D571,786 S 6/2008 Cho  
D573,584 S 7/2008 Kim  
D579,003 S 10/2008 Kim et al.

(Continued)

(21) Appl. No.: **29/393,936**

(22) Filed: **Jun. 10, 2011**

(30) **Foreign Application Priority Data**

Jan. 27, 2011 (KR) ..... 30-2011-003584

(51) **LOC (9) Cl.** ..... **14-01**  
(52) **U.S. Cl.** ..... **D14/168**  
(58) **Field of Classification Search** ..... D14/496,  
D14/498-511, 167-168, 188, 197-198, 214;  
360/99.02, 99.07; 369/75.11, 75.21, 77.11,  
369/77.21; 720/601, 612, 619, 649, 655;  
455/344, 347-351

See application file for complete search history.

(56) **References Cited**

**U.S. PATENT DOCUMENTS**

D455,415 S \* 4/2002 Suzuki ..... D14/168  
D471,893 S 3/2003 Jung  
D505,410 S \* 5/2005 Sugiyama ..... D14/168  
D512,045 S \* 11/2005 Motoishi ..... D14/168  
D516,539 S \* 3/2006 Masui ..... D14/168  
D520,975 S 5/2006 Kim et al.  
D521,974 S \* 5/2006 Katsumata ..... D14/168  
D529,019 S 9/2006 Lim  
D537,072 S 2/2007 Kim et al.  
D540,780 S 4/2007 Kim  
D545,300 S 6/2007 Hong et al.  
D548,222 S 8/2007 Kim  
D551,655 S 9/2007 Kim  
D551,665 S 9/2007 Tom et al.

**FOREIGN PATENT DOCUMENTS**

KR 3004583830000 8/2007

(Continued)

**OTHER PUBLICATIONS**

U.S. Appl. No. 29/393,944, Applicant: Yeon-Moo Chung, filed Jun. 10, 2011 entitled Speaker.

(Continued)

*Primary Examiner* — Nanda Bondade

(74) *Attorney, Agent, or Firm* — Wood, Herron & Evans, LLP

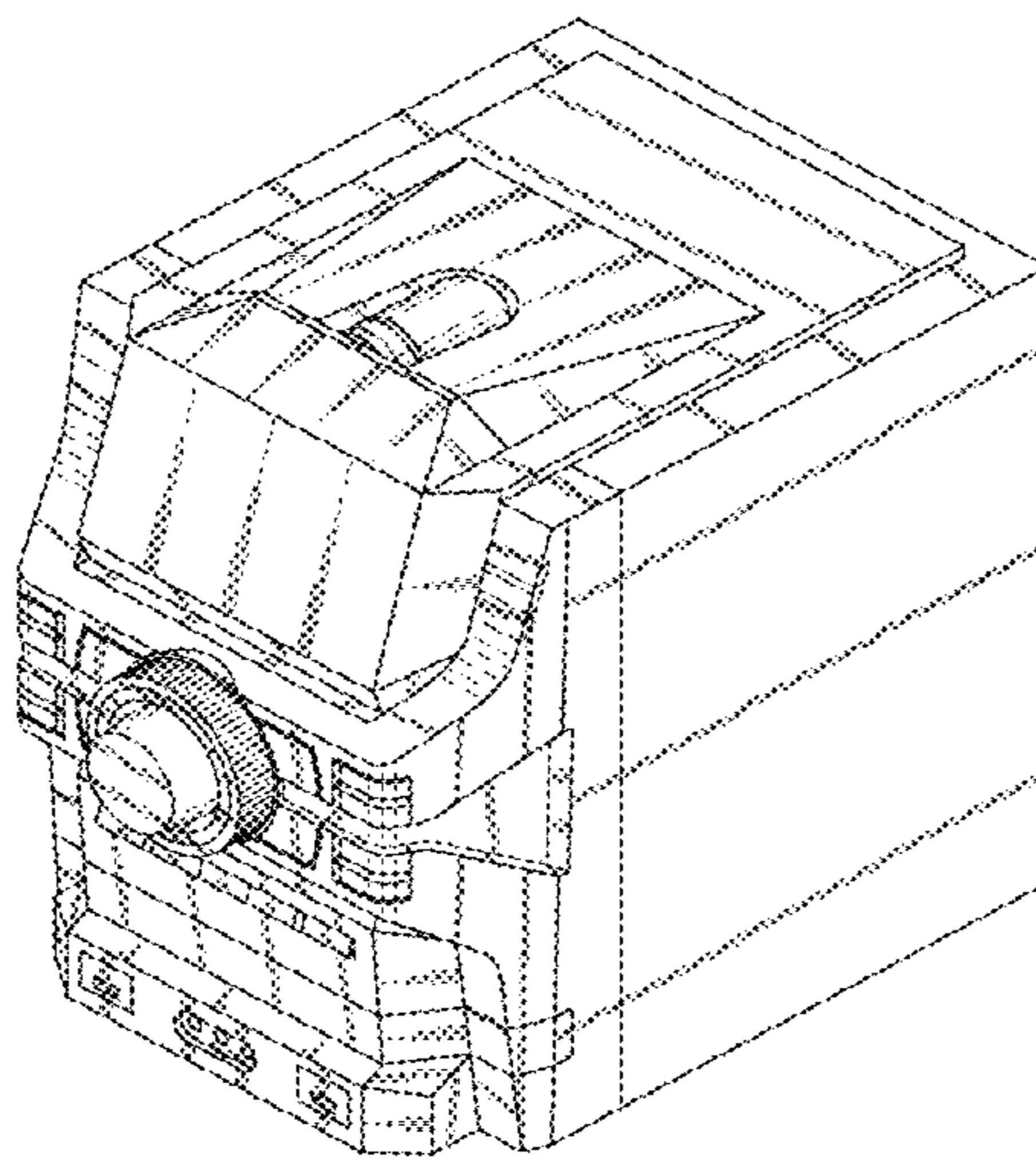
(57) **CLAIM**

The ornamental design for a mini component audio, as shown and described.

**DESCRIPTION**

FIG. 1 is a top front perspective view of a mini component audio showing our new design;  
FIG. 2 is a front elevational view thereof;  
FIG. 3 is a rear elevational view thereof;  
FIG. 4 is a left side elevational view thereof;  
FIG. 5 is a right side elevational view thereof;  
FIG. 6 is a top plan view thereof; and,  
FIG. 7 is a bottom plan view thereof.

**1 Claim, 7 Drawing Sheets**



# US D657,774 S

Page 2

## U.S. PATENT DOCUMENTS

D579,915 S 11/2008 Yeo  
D583,801 S 12/2008 Son et al.  
D584,286 S 1/2009 Kim  
D584,288 S 1/2009 Kim  
D586,781 S 2/2009 Kim  
D586,782 S 2/2009 Kim  
D586,785 S 2/2009 Kim  
D587,237 S 2/2009 Son et al.  
D588,103 S 3/2009 Lee et al.  
D588,104 S 3/2009 Lee et al.  
D588,576 S 3/2009 Son et al.  
D591,269 S 4/2009 Kim et al.  
D592,179 S 5/2009 Ichinose et al.  
D593,068 S 5/2009 Kim et al.  
D593,069 S 5/2009 Son et al.  
D598,899 S 8/2009 Tkachuk  
D615,963 S 5/2010 Cho et al.  
D624,047 S 9/2010 Kim  
D624,048 S 9/2010 Kim  
D628,556 S 12/2010 Lee et al.  
D629,388 S 12/2010 Son et al.  
D631,868 S 2/2011 Chung  
D634,302 S 3/2011 Chung et al.

## FOREIGN PATENT DOCUMENTS

KR 3004602570000 8/2007  
KR 3004608520000 8/2007  
KR 3004659690000 10/2007

KR 3005005060000 7/2008  
KR 3005992810000 5/2011  
KR 3006052260000 7/2011  
KR 3006060320000 7/2011  
KR 3006063520000 7/2011  
KR 3006067150000 7/2011  
KR 3006067180000 7/2011  
KR 3006067290000 7/2011  
KR 3006067430000 7/2011  
KR 3006076710000 8/2011

## OTHER PUBLICATIONS

U.S. Appl. No. 29/393,984, Applicant: Lee, et al., filed Jun. 10, 2011 entitled Speaker.  
U.S. Appl. No. 29/393,985, Applicant: Lee, et al., filed Jun. 10, 2011 entitled Speaker.  
U.S. Appl. No. 29/393,986, Applicant: Lee, et al., filed Jun. 10, 2011 entitled Speaker.  
U.S. Appl. No. 29/393,914, Applicant: Lee, et al., filed Jun. 10, 2011 entitled Speaker.  
U.S. Appl. No. 29/315,569, Applicant: Jin-Wook Kim, filed Jul. 6, 2009 entitled Mini Audio.  
U.S. Appl. No. 29/315,570, Applicant: Jin-Wook Kim, filed Jul. 6, 2009 entitled Mini Audio.  
U.S. Appl. No. 29/348,969, Applicant: Kim, et al., filed Feb. 25, 2010 entitled Home Theater.

\* cited by examiner

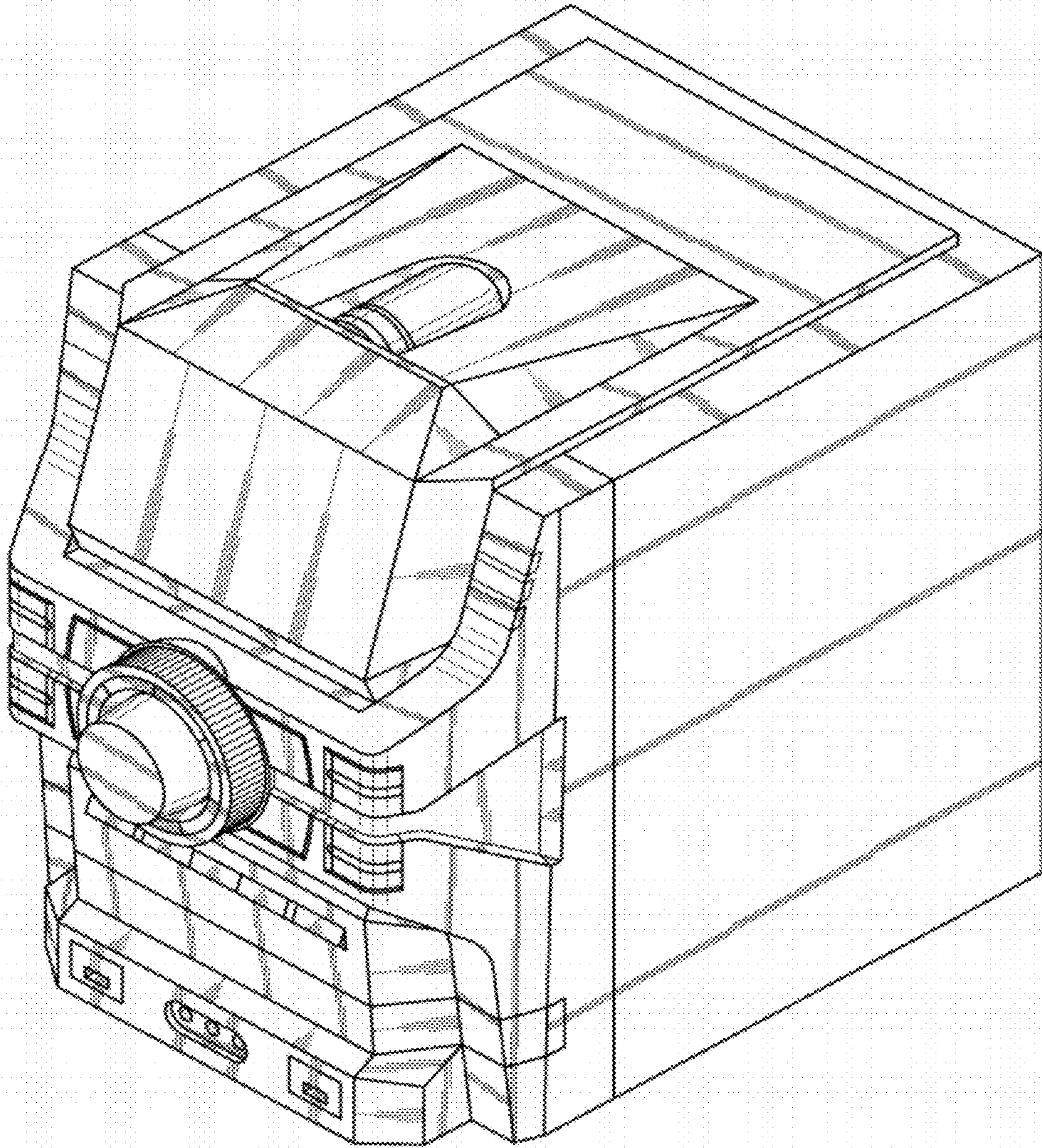


FIG.1

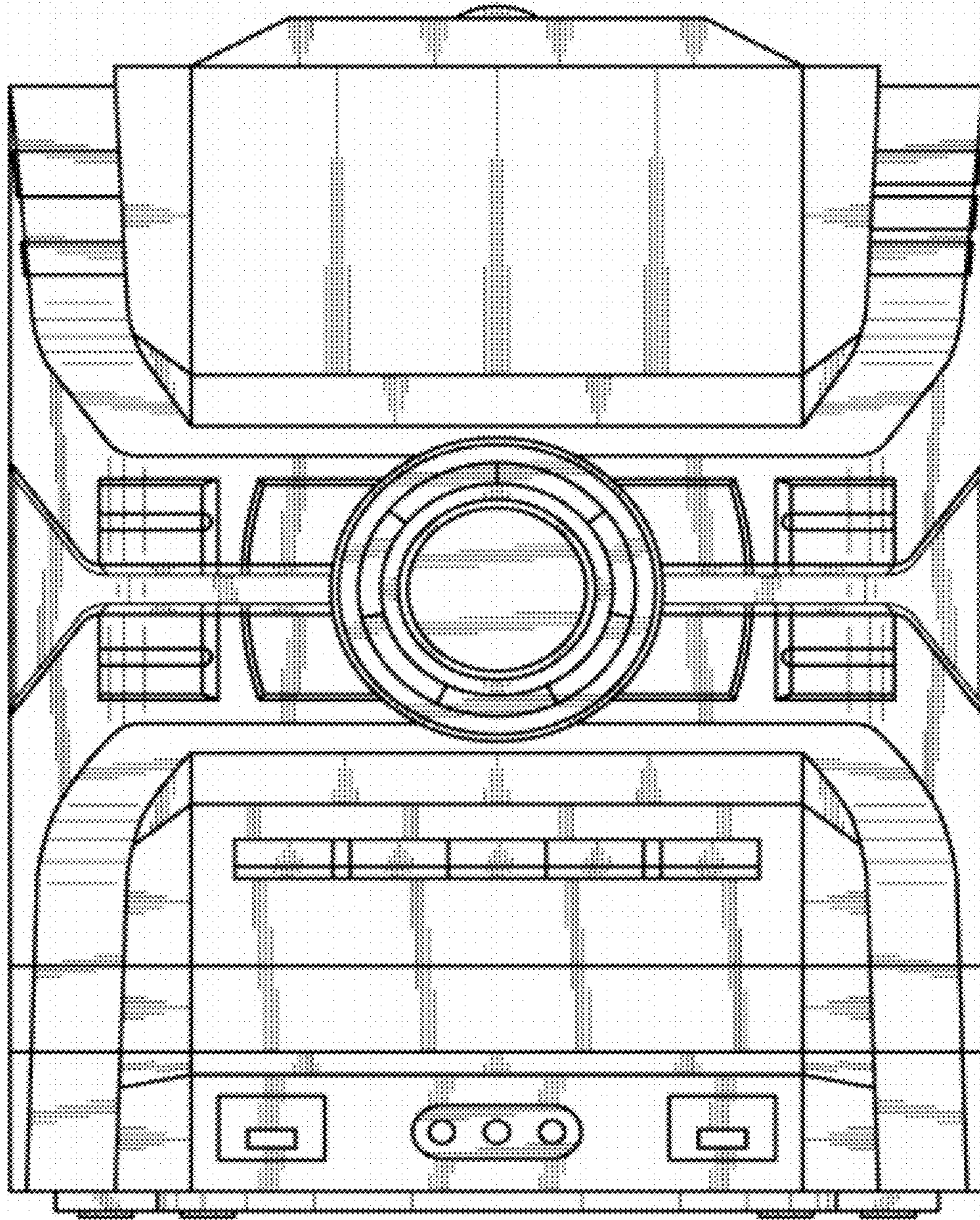


FIG.2

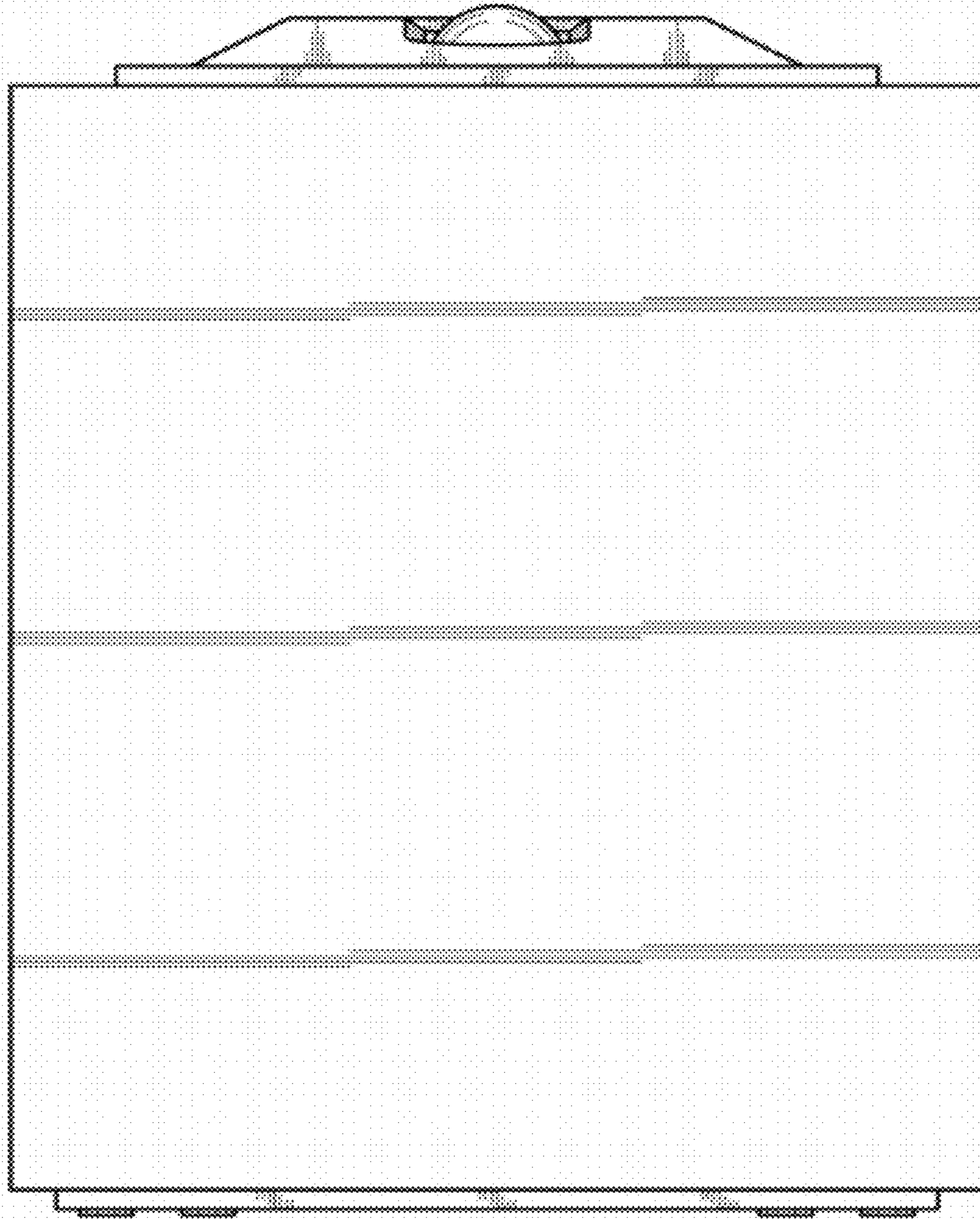


FIG.3

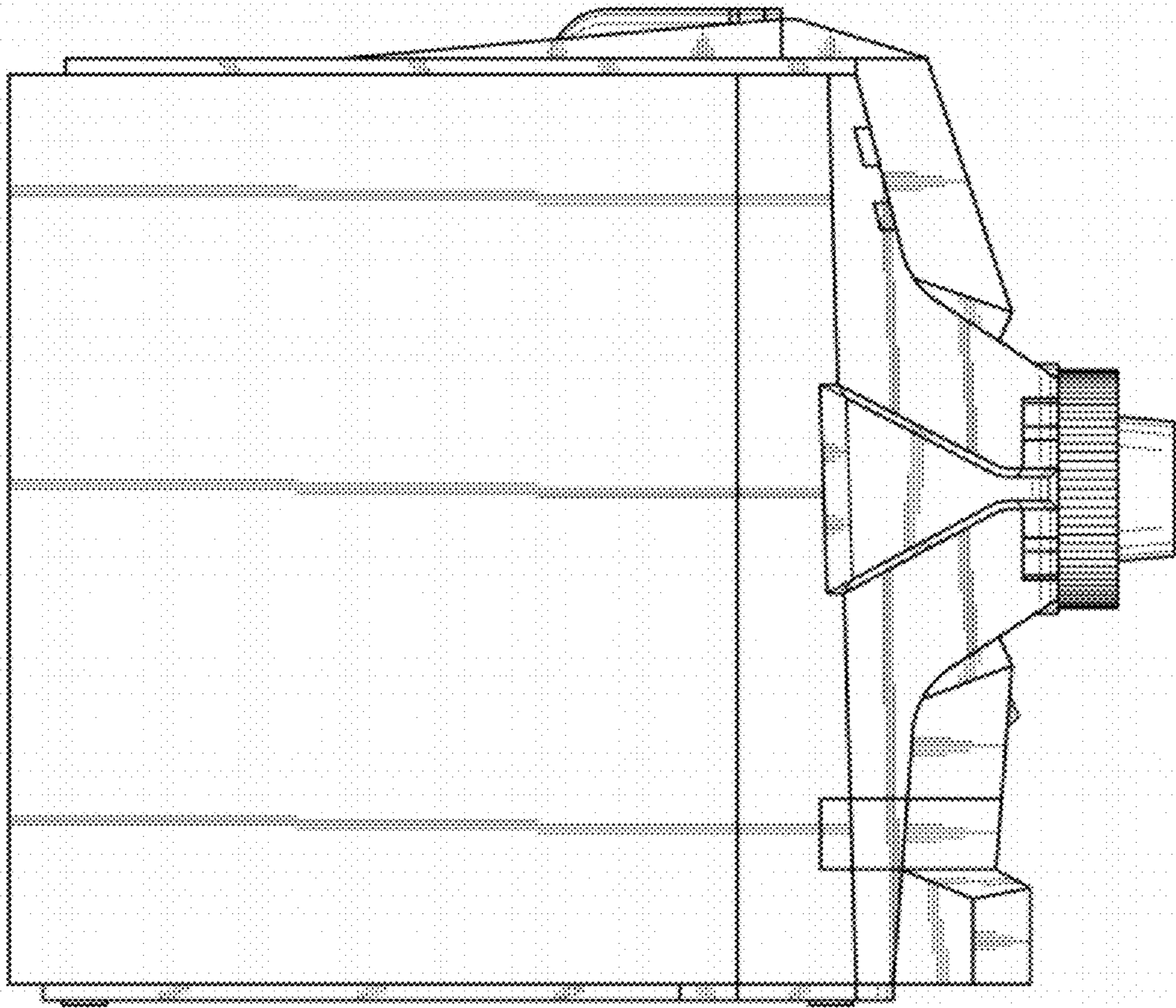


FIG.4

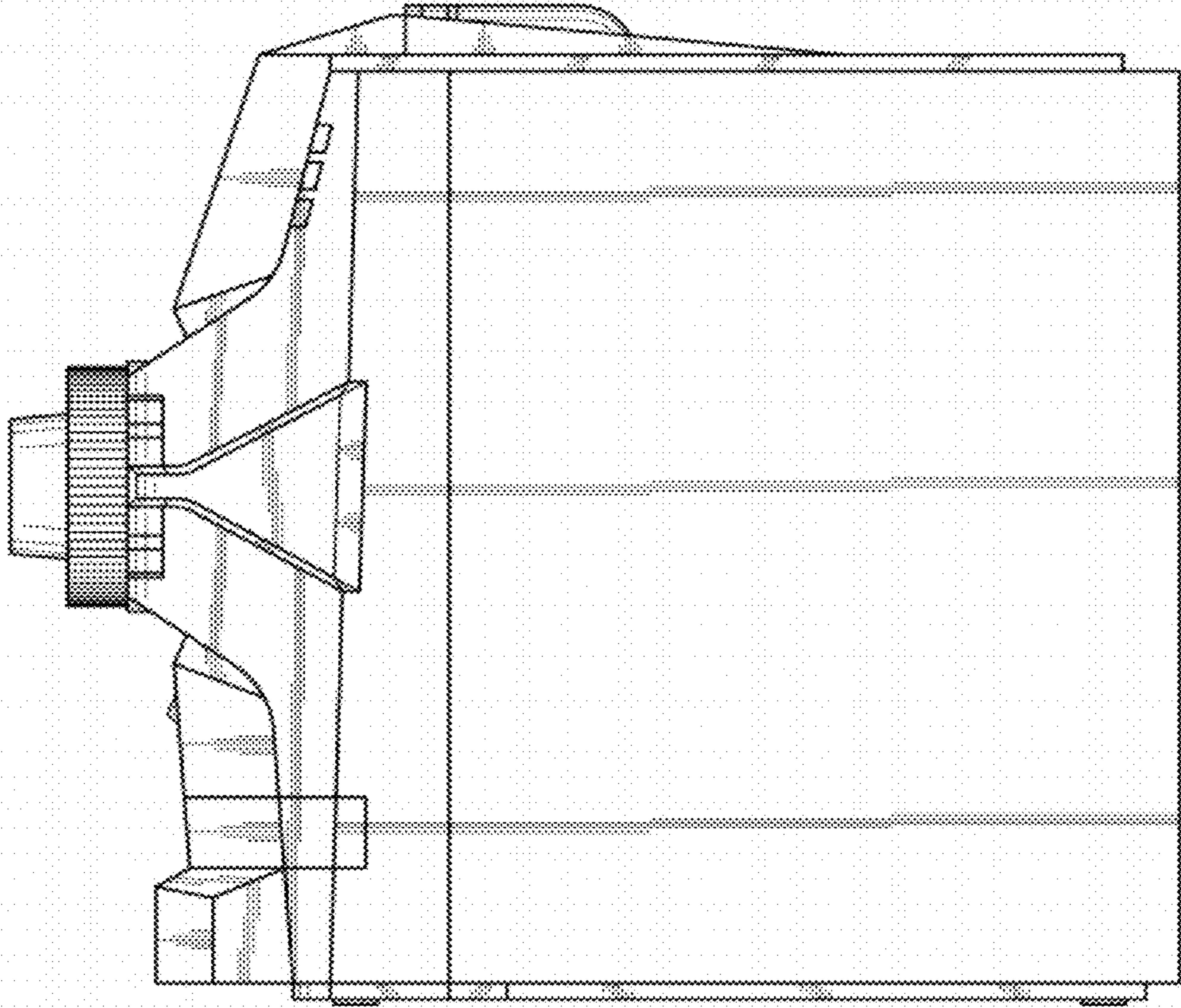


FIG.5

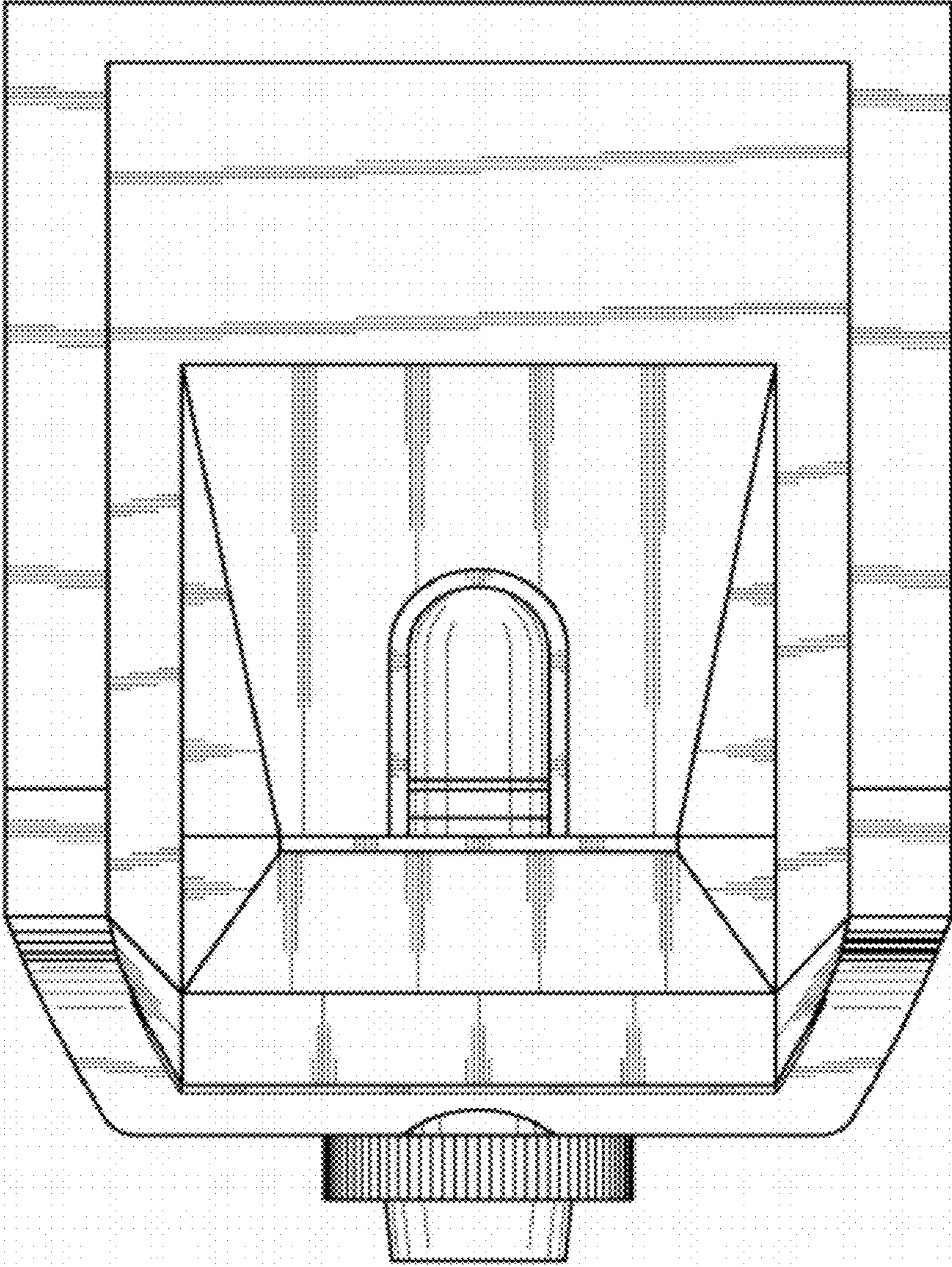


FIG.6



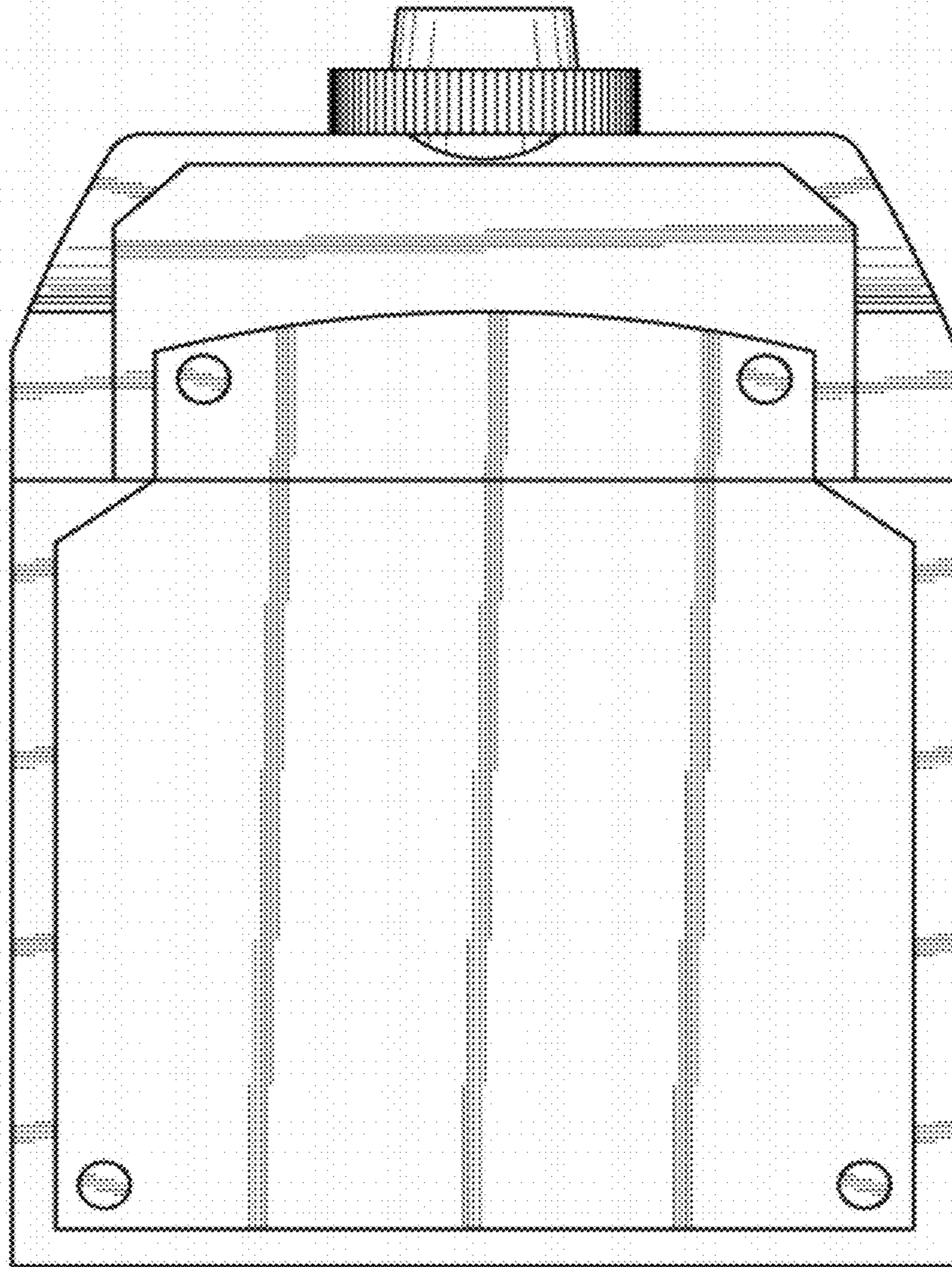


FIG.7