



US00D657768S

(12) **United States Design Patent**
Kim

(10) **Patent No.:** **US D657,768 S**
(45) **Date of Patent:** **** Apr. 17, 2012**

(54) **MOBILE PHONE**

(75) Inventor: **Yu-Guen Kim**, Yongin-si (KR)

(73) Assignee: **Samsung Electronics Co., Ltd.** (KR)

(**) Term: **14 Years**

(21) Appl. No.: **29/400,352**

(22) Filed: **Aug. 26, 2011**

(30) **Foreign Application Priority Data**

May 24, 2011 (KR) 30-2011-0020927

(51) **LOC (9) Cl.** **14-03**

(52) **U.S. Cl.** **D14/138 G**

(58) **Field of Classification Search** D14/138 AD,
D14/138 G, 138 R, 138 AC, 496, 341, 345,
D14/346, 203.7, 203.4, 203.3, 203.1, 248,
D14/218, 138 AB, 191; 455/575.1, 556.2,
455/556.1, 575.4, 566, 575.3; D10/65; 379/433.01,
379/433.04, 433.11, 433.12, 433.13
See application file for complete search history.

(56) **References Cited**

U.S. PATENT DOCUMENTS

D590,802 S * 4/2009 Shin et al. D14/138 AD
D615,950 S * 5/2010 Cha et al. D14/138 AD
D615,971 S * 5/2010 Chien et al. D14/341
D616,854 S * 6/2010 Kim et al. D14/138 AD
D618,652 S * 6/2010 Oh et al. D14/138 AD
D619,557 S * 7/2010 Han et al. D14/138 AD
D621,378 S * 8/2010 Kim et al. D14/138 AD
D623,183 S * 9/2010 Hong et al. D14/341
D628,975 S * 12/2010 Jang D14/138 G
D629,375 S * 12/2010 Han et al. D14/138 AD
D629,783 S * 12/2010 Kim et al. D14/138 G

D631,864 S * 2/2011 Jung D14/138 AB
D633,066 S * 2/2011 Park et al. D14/138 AD
D633,070 S * 2/2011 Tzeng D14/138 G
D633,886 S * 3/2011 Chen D14/138 AD
D637,990 S * 5/2011 Lee et al. D14/138 AD
D639,764 S * 6/2011 Lee D14/138 AD
D639,766 S * 6/2011 Han et al. D14/138 AD
D640,223 S * 6/2011 Park et al. D14/138 G
D641,331 S * 7/2011 Kim D14/138 AD
D642,152 S * 7/2011 Cho D14/138 AD
D644,195 S * 8/2011 Kim et al. D14/138 G
D644,197 S * 8/2011 Lee et al. D14/138 G
D645,011 S * 9/2011 Min D14/138 AD

(Continued)

OTHER PUBLICATIONS

Samsung B7722 telephone, announced Jun. 2010, [online], [site visited Dec. 16, 2011]. Available from Internet, <URL: <http://www.gsmarena.com>>.*

(Continued)

Primary Examiner — Jeffrey D Asch
(74) *Attorney, Agent, or Firm* — NSIP Law

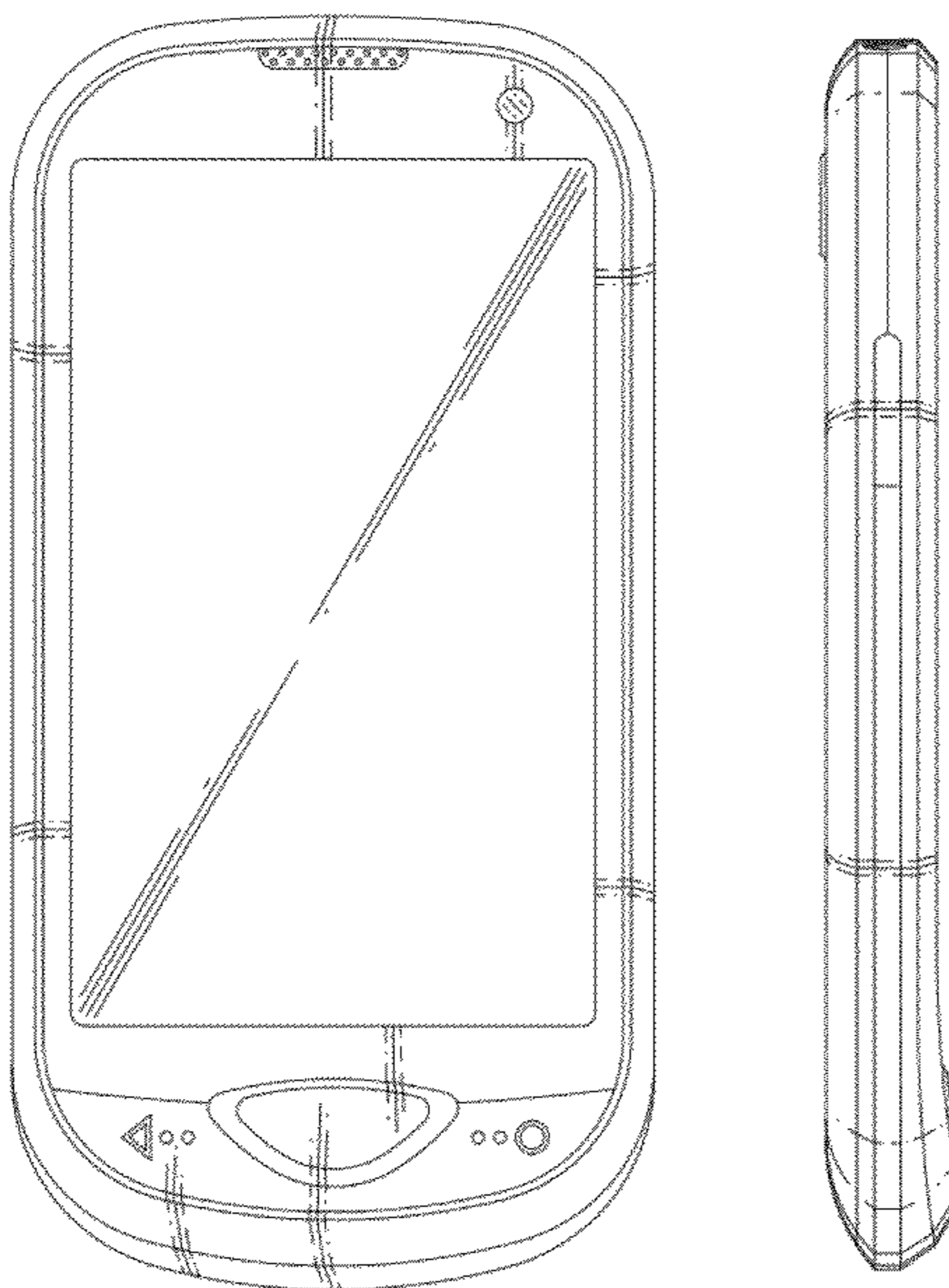
(57) **CLAIM**

The ornamental design for a mobile phone, as shown and described.

DESCRIPTION

FIG. 1 is a perspective view of a mobile phone;
FIG. 2 is a front view of the mobile phone of FIG. 1;
FIG. 3 is a rear view of the mobile phone of FIG. 1;
FIG. 4 is a left-side view of the mobile phone of FIG. 1;
FIG. 5 is a right-side view of the mobile phone of FIG. 1;
FIG. 6 is a top plan view of the mobile phone of FIG. 1; and,
FIG. 7 is a bottom plan view of the mobile phone of FIG. 1.

1 Claim, 5 Drawing Sheets



U.S. PATENT DOCUMENTS

D646,249 S * 10/2011 Kim et al. D14/138 AD
D646,256 S * 10/2011 Kim D14/138 G
D646,662 S * 10/2011 Kim D14/138 G
D647,075 S * 10/2011 Jung D14/138 G

OTHER PUBLICATIONS

Samsung M715 T*OMNIA II telephone, announced Nov. 2009, [online], [site visited Dec. 16, 2011]. Available from Internet, <URL: <http://www.gsmarena.com>>.*

Samsung S5560 Marvel telephone, announced Oct. 2009, [online], [site visited Dec. 16, 2011]. Available from Internet, <URL: <http://www.gsmarena.com>>.*

Samsung B3410 telephone, announced Oct. 2009, [online], [site visited Dec. 16, 2011]. Available from Internet, <URL: <http://www.gsmarena.com>>.*

Pantech P4000 telephone, announced Aug. 2010, [online], [site visited Dec. 16, 2011]. Available from Internet, <URL: <http://www.gsmarena.com>>.*

Samsung Galaxy Mini S5570 telephone, announced Jan. 2011, [online], [site visited Dec. 16, 2011]. Available from Internet, <URL: <http://www.gsmarena.com>>.*

LG Extravert telephone, announced Nov. 2011, [online], [site visited Dec. 16, 2011]. Available from Internet, <URL: <http://www.gsmarena.com>>.*

ZTE Racer II telephone, announced Aug. 2011, [online], [site visited Dec. 16, 2011]. Available from Internet, <URL: <http://www.gsmarena.com>>.*

Pantech Breakout telephone, announced Jul. 2011, [online], [site visited Dec. 16, 2011]. Available from Internet, <URL: <http://www.gsmarena.com>>.*

Samsung S7550 Blue Earth telephone, announced Sep. 2009, [online], [site visited Dec. 16, 2011]. Available from Internet, <URL: <http://www.gsmarena.com>>.*

* cited by examiner

FIG. 1

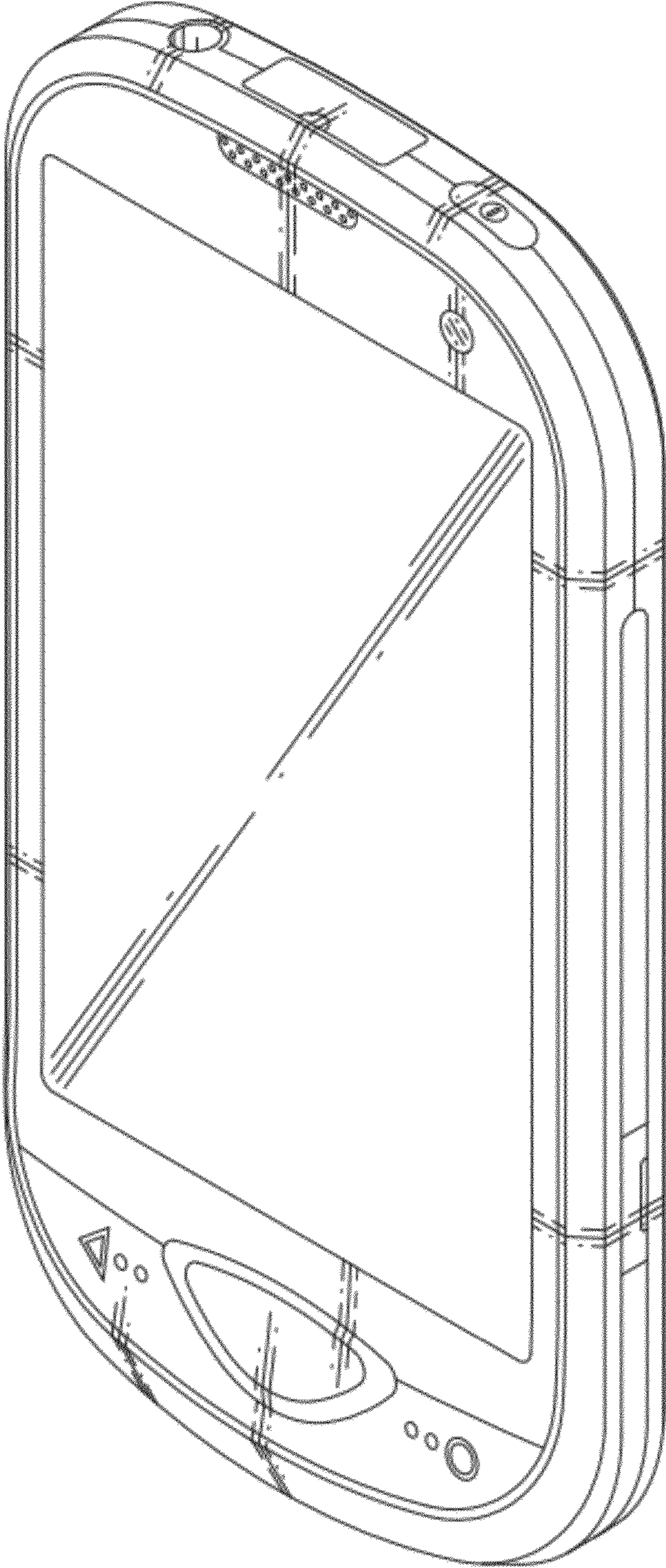


FIG. 2

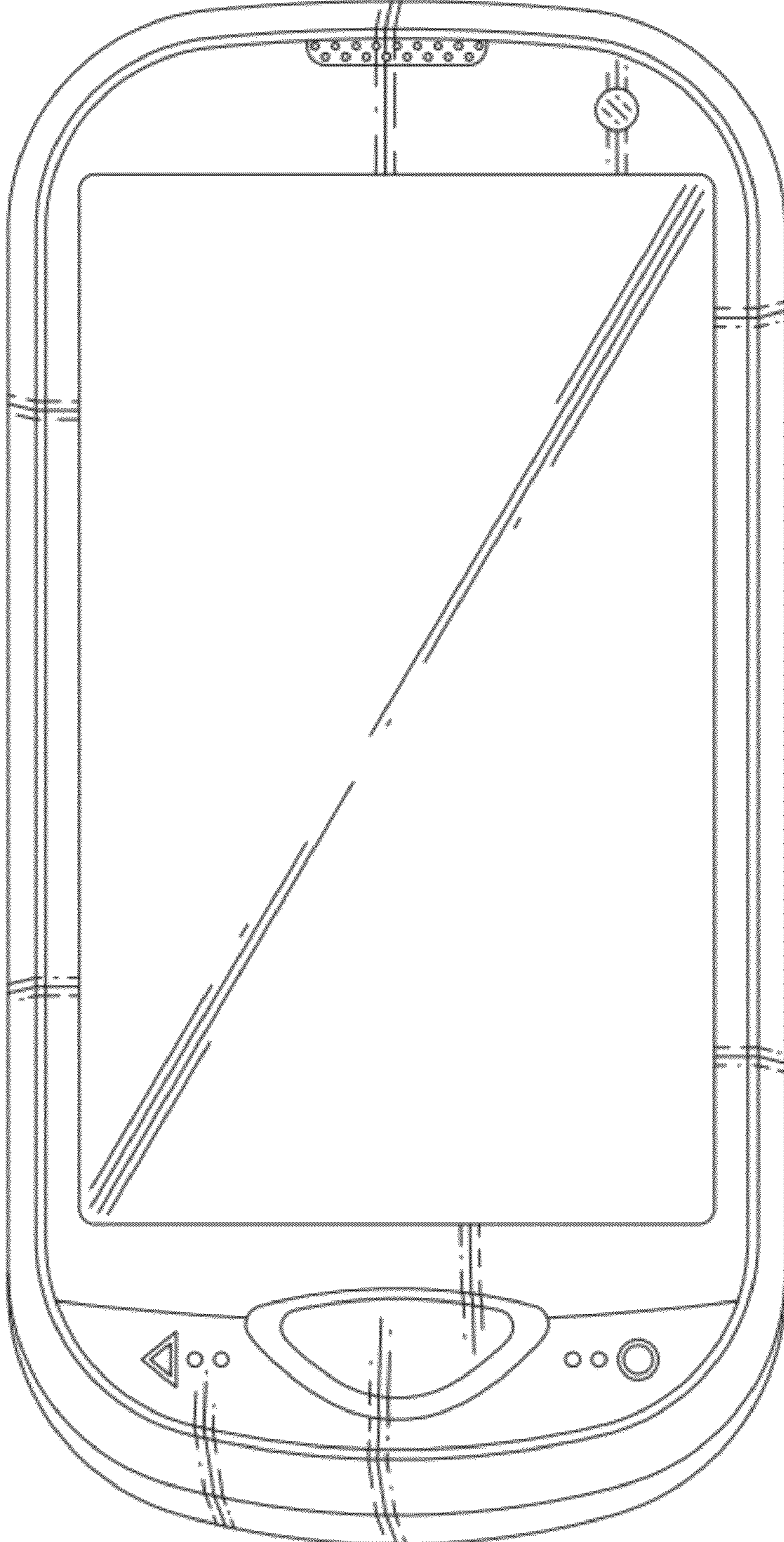


FIG. 3

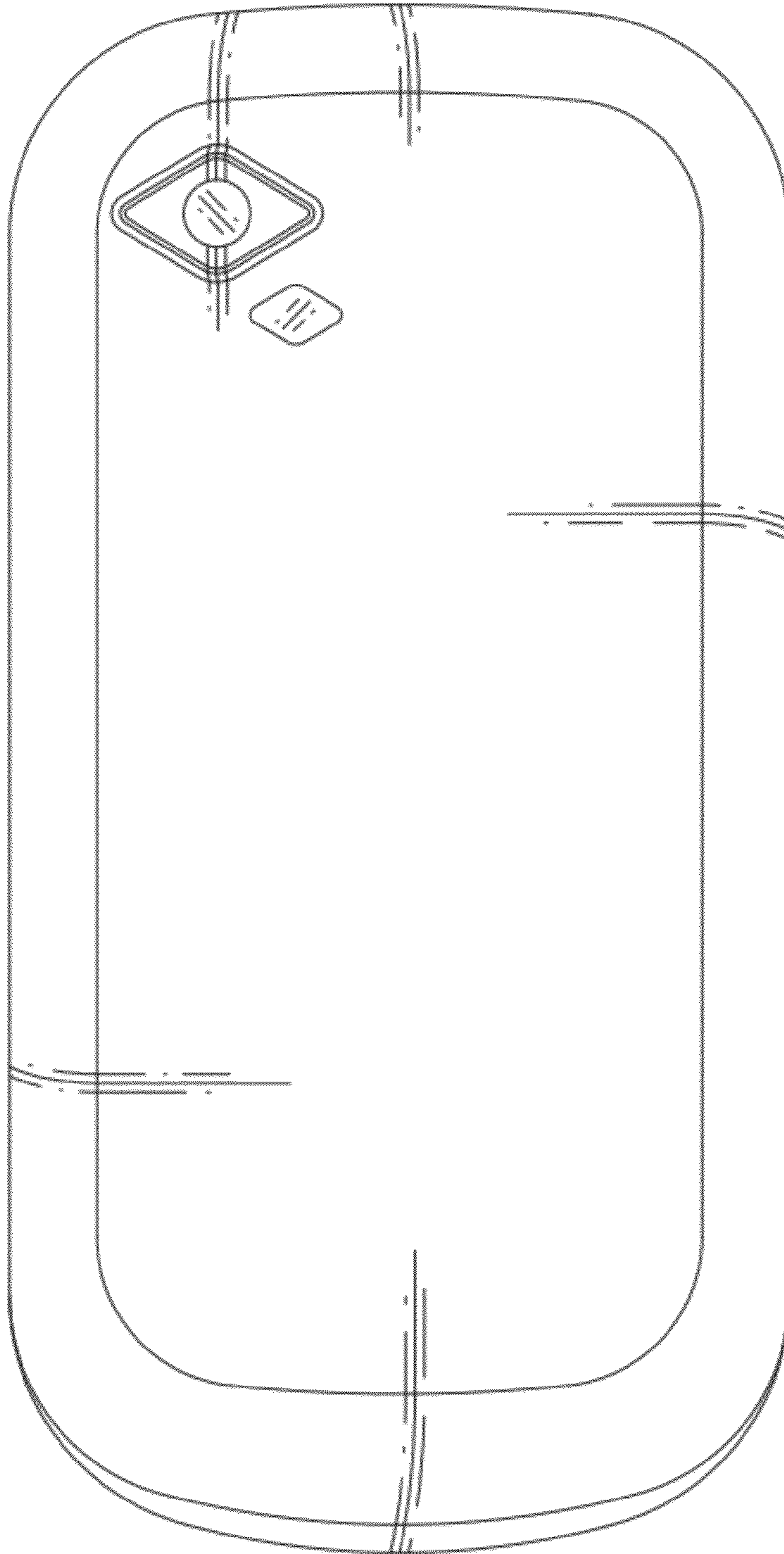


FIG. 4

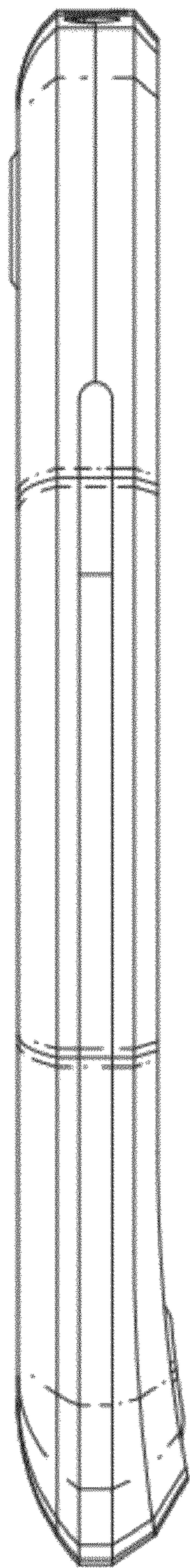


FIG. 5

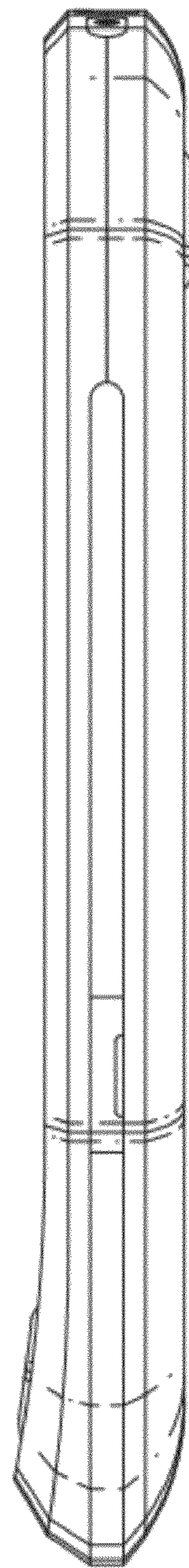


FIG. 6

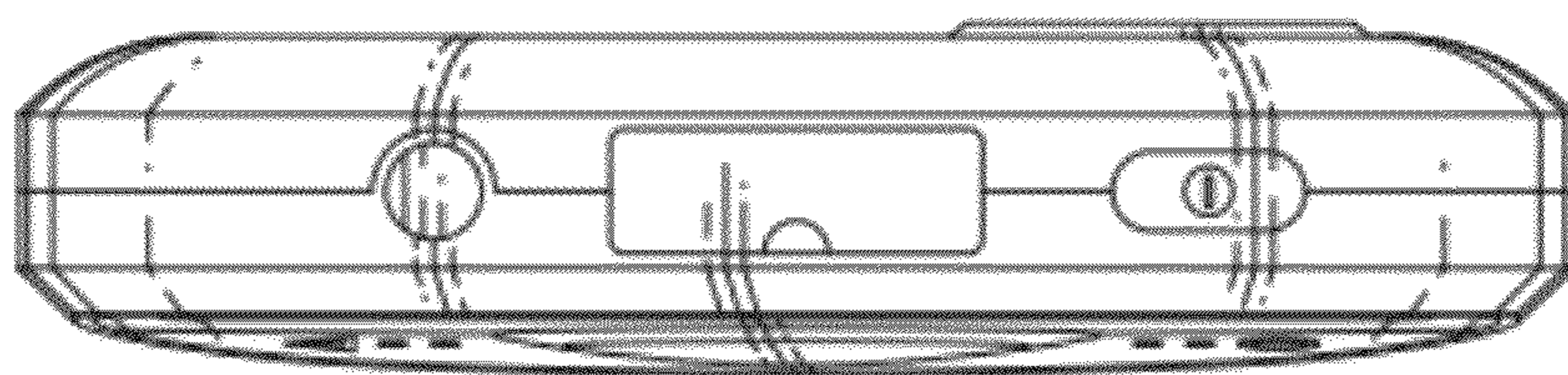


FIG. 7

