



US00D657767S

(12) **United States Design Patent**
Kim

(10) **Patent No.:** **US D657,767 S**

(45) **Date of Patent:** **** Apr. 17, 2012**

(54) **MOBILE PHONE**

(75) Inventor: **Yu-Guen Kim**, Yongin-si (KR)

(73) Assignee: **Samsung Electronics Co., Ltd.** (KR)

(**) Term: **14 Years**

(21) Appl. No.: **29/400,350**

(22) Filed: **Aug. 26, 2011**

(30) **Foreign Application Priority Data**

May 24, 2011 (KR) 30-2011-0020914

(51) **LOC (9) Cl.** **14-03**

(52) **U.S. Cl.** **D14/138 AD**

(58) **Field of Classification Search** D14/138 AD,
D14/138 G, 138 R, 138 AC, 496, 341, 345,
D14/346, 203.7, 203.4, 203.3, 203.1, 248,
D14/218, 138 AB, 191; 455/575.1, 556.2,
455/556.1, 575.4, 566, 575.3; D10/65; 379/433.01,
379/433.04, 433.11, 433.12, 433.13

See application file for complete search history.

(56) **References Cited**

U.S. PATENT DOCUMENTS

D580,430 S *	11/2008	Wei	D14/341
D601,538 S *	10/2009	Hong	D14/138 G
D601,993 S *	10/2009	Yun et al.	D14/138 AD
D615,950 S *	5/2010	Cha et al.	D14/138 AD
D615,971 S *	5/2010	Chien et al.	D14/341
D616,854 S *	6/2010	Kim et al.	D14/138 AD
D618,652 S *	6/2010	Oh et al.	D14/138 AD
D619,557 S *	7/2010	Han et al.	D14/138 AD
D620,912 S *	8/2010	Kim et al.	D14/138 AD
D621,378 S *	8/2010	Kim et al.	D14/138 AD
D627,755 S *	11/2010	Yang	D14/138 G
D628,545 S *	12/2010	Cho et al.	D14/138 AD

D628,975 S *	12/2010	Jang	D14/138 G
D629,375 S *	12/2010	Han et al.	D14/138 AD
D629,783 S *	12/2010	Kim et al.	D14/138 G
D633,066 S *	2/2011	Park et al.	D14/138 AD
D633,070 S *	2/2011	Tzeng	D14/138 G
D633,886 S *	3/2011	Chen	D14/138 AD
D639,764 S *	6/2011	Lee	D14/138 AD

(Continued)

OTHER PUBLICATIONS

Samsung Trender telephone, announced Jun. 2011, [online], [site visited Dec. 16, 2011]. Available from Internet, <URL: <http://www.gsmarena.com>>.*

(Continued)

Primary Examiner — Jeffrey D Asch

(74) *Attorney, Agent, or Firm* — NSIP Law

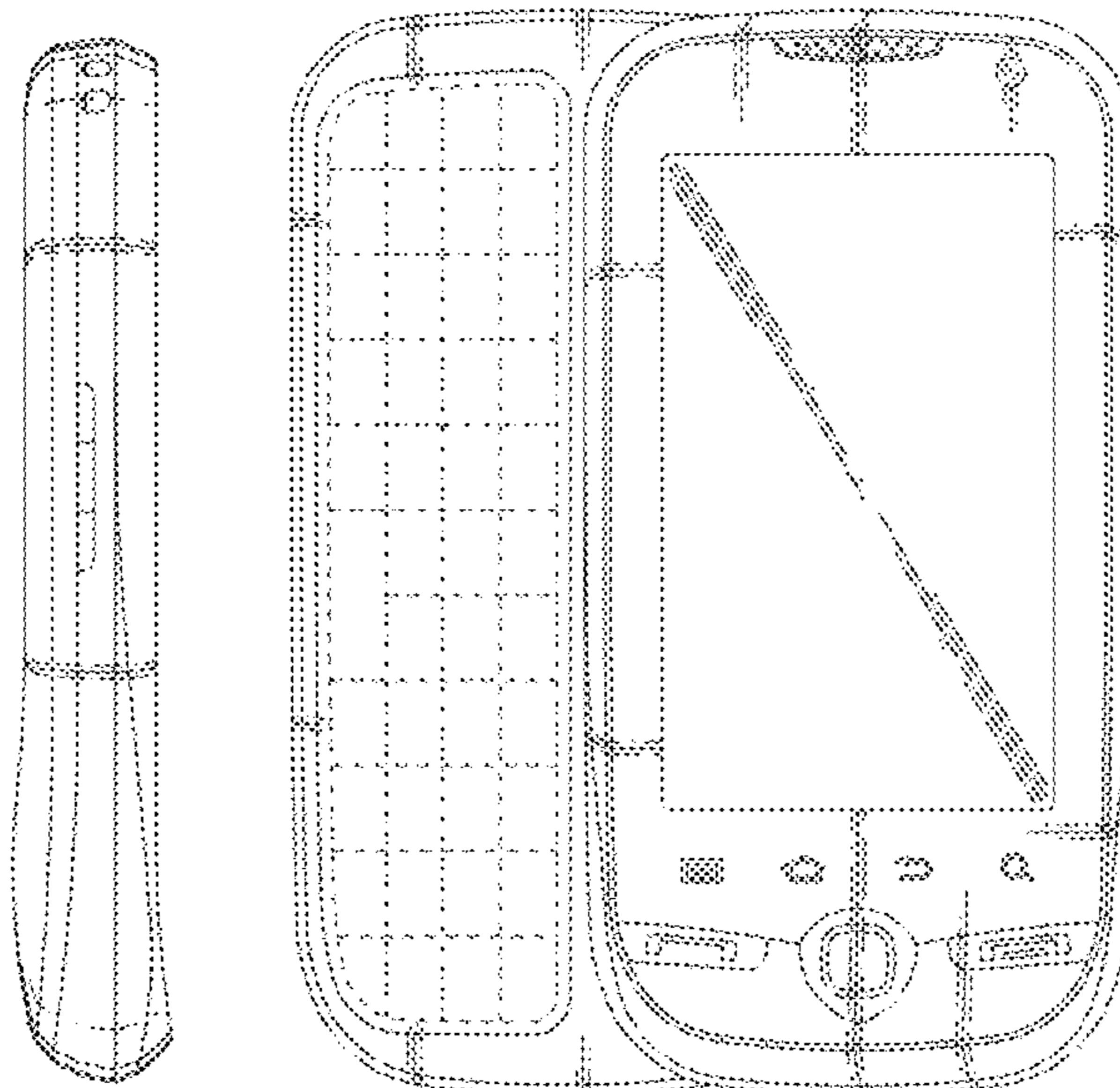
(57) **CLAIM**

The ornamental design for a mobile phone, as shown and described.

DESCRIPTION

FIG. 1 is a perspective view of a mobile phone;
FIG. 2 is a front view of the mobile phone of FIG. 1;
FIG. 3 is a rear view of the mobile phone of FIG. 1;
FIG. 4 is a left-side view of the mobile phone of FIG. 1;
FIG. 5 is a right-side view of the mobile phone of FIG. 1;
FIG. 6 is a top plan view of the mobile phone of FIG. 1;
FIG. 7 is a bottom plan view of the mobile phone of FIG. 1;
and,
FIG. 8 is an open front view of the mobile phone of FIG. 1.
The broken lines showing a keypad portion of the mobile phone of FIG. 8 is for illustrative purpose only and form no part of the claimed design.

1 Claim, 6 Drawing Sheets



U.S. PATENT DOCUMENTS

D639,766 S * 6/2011 Han et al. D14/138 AD
D641,331 S * 7/2011 Kim D14/138 AD
D644,197 S * 8/2011 Lee et al. D14/138 G
D646,249 S * 10/2011 Kim et al. D14/138 AD
D646,252 S * 10/2011 Kim et al. D14/138 AD
D646,256 S * 10/2011 Kim D14/138 G
D650,348 S * 12/2011 Li D14/138 G
2011/0059774 A1* 3/2011 Clift et al. 455/566

OTHER PUBLICATIONS

Samsung S3850 Corby II telephone, announced Mar. 2011, [online], [site visited Dec. 16, 2011]. Available from Internet, <URL: <http://www.gsmarena.com>>.*
Motorola DEXT MB220 telephone, announced Sep. 2009, [online], [site visited Dec. 16, 2011]. Available from Internet, <URL: <http://www.gsmarena.com>>.*

HTC Droid Eris telephone, announced Oct. 2009, [online], [site visited Dec. 16, 2011]. Available from Internet, <URL: <http://www.gsmarena.com>>.*

Alcatel OT-890 telephone, announced Feb. 2011, [online], [site visited Dec. 16, 2011]. Available from Internet, <URL: <http://www.gsmarena.com>>.*

Samsung S7550 Blue Earth telephone, announced Sep. 2009, [online], [site visited Dec. 16, 2011]. Available from Internet, <URL: <http://www.gsmarena.com>>.*

Samsung S5560 Marvel telephone, announced Oct. 2009, [online], [site visited Dec. 16, 2011]. Available from Internet, <URL: <http://www.gsmarena.com>>.*

Pantech Ease telephone, announced Jun. 2010, [online], [site visited Dec. 16, 2011]. Available from Internet, <URL: <http://www.gsmarena.com>>.*

* cited by examiner

FIG. 1

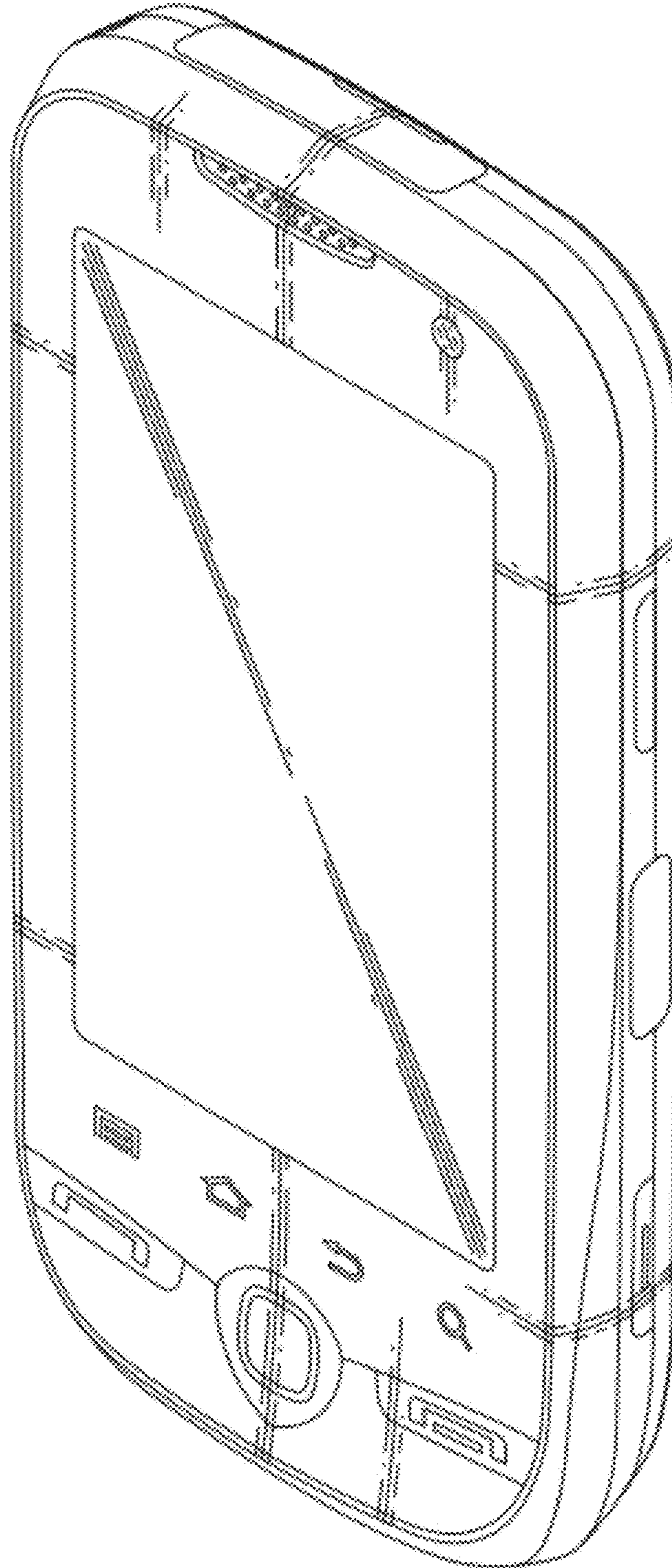


FIG. 2

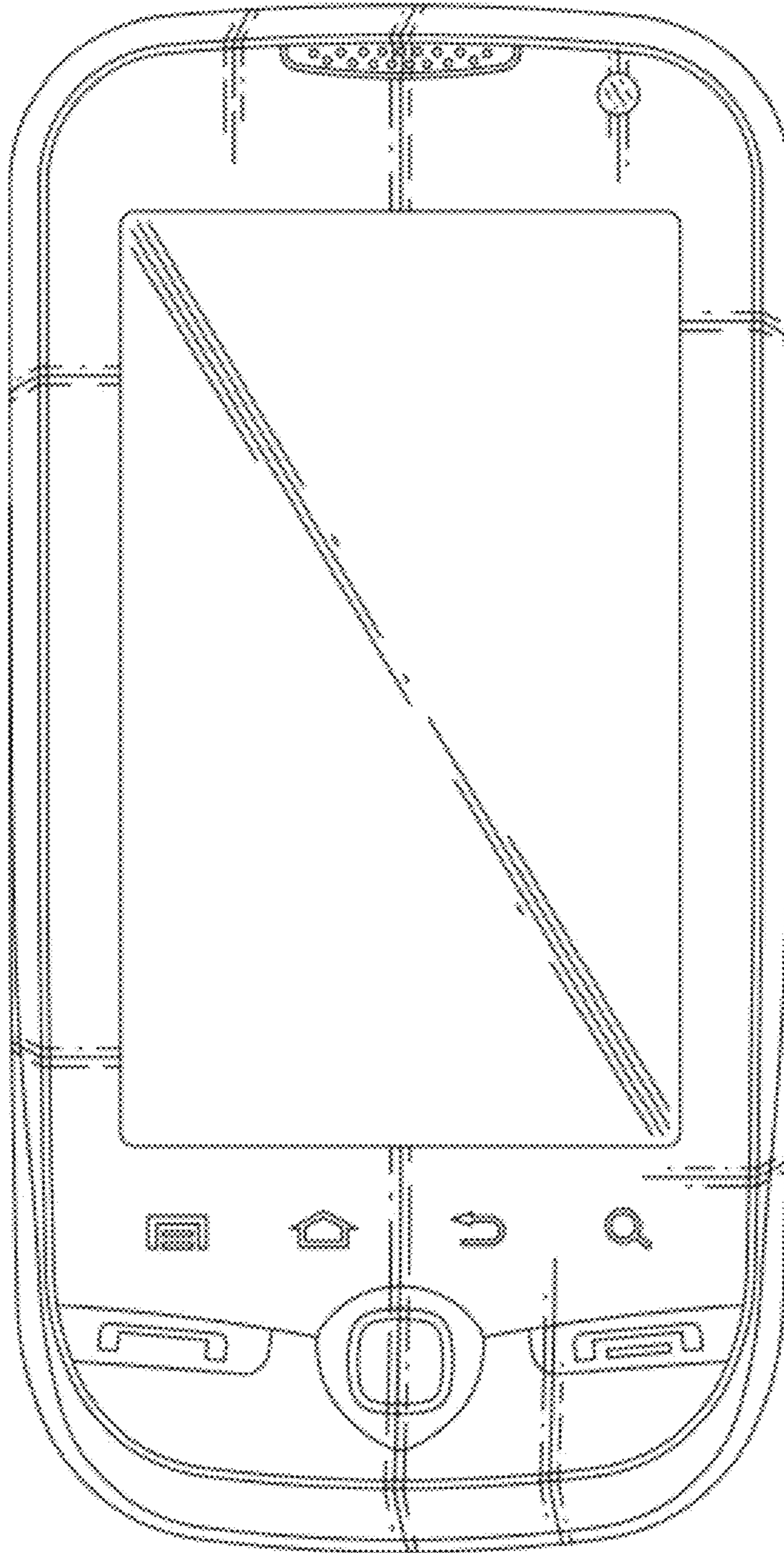


FIG. 3

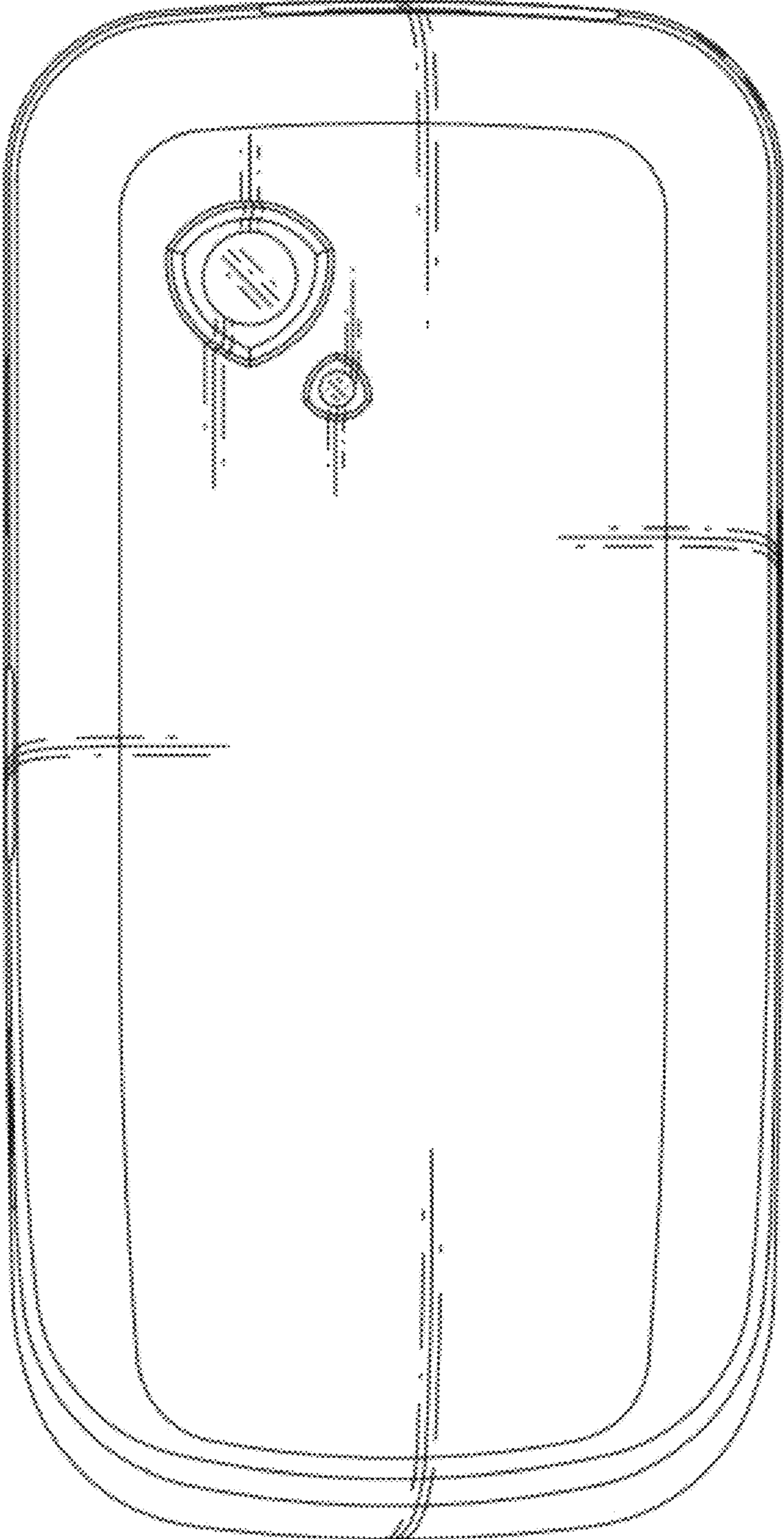


FIG. 4

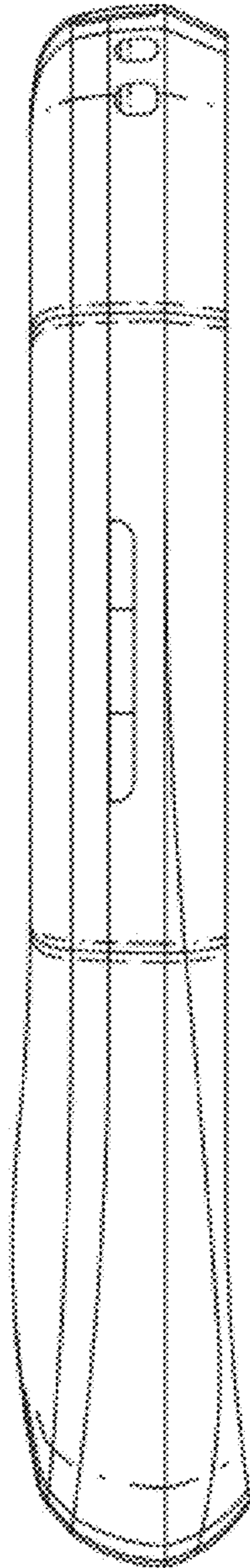


FIG. 5

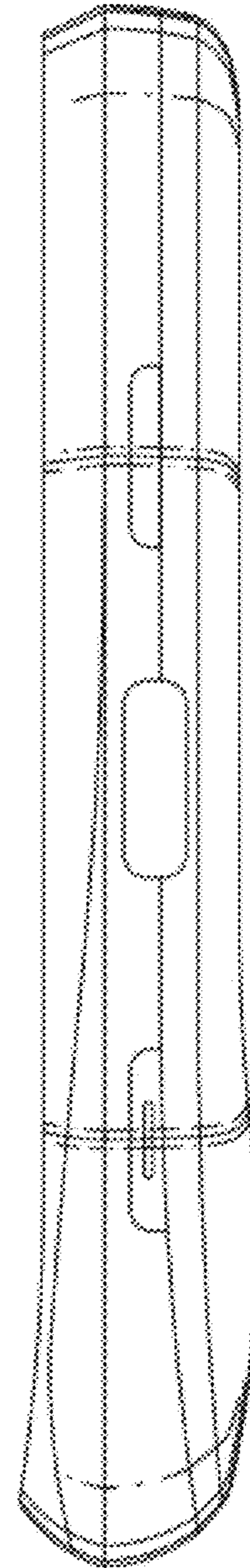


FIG. 6

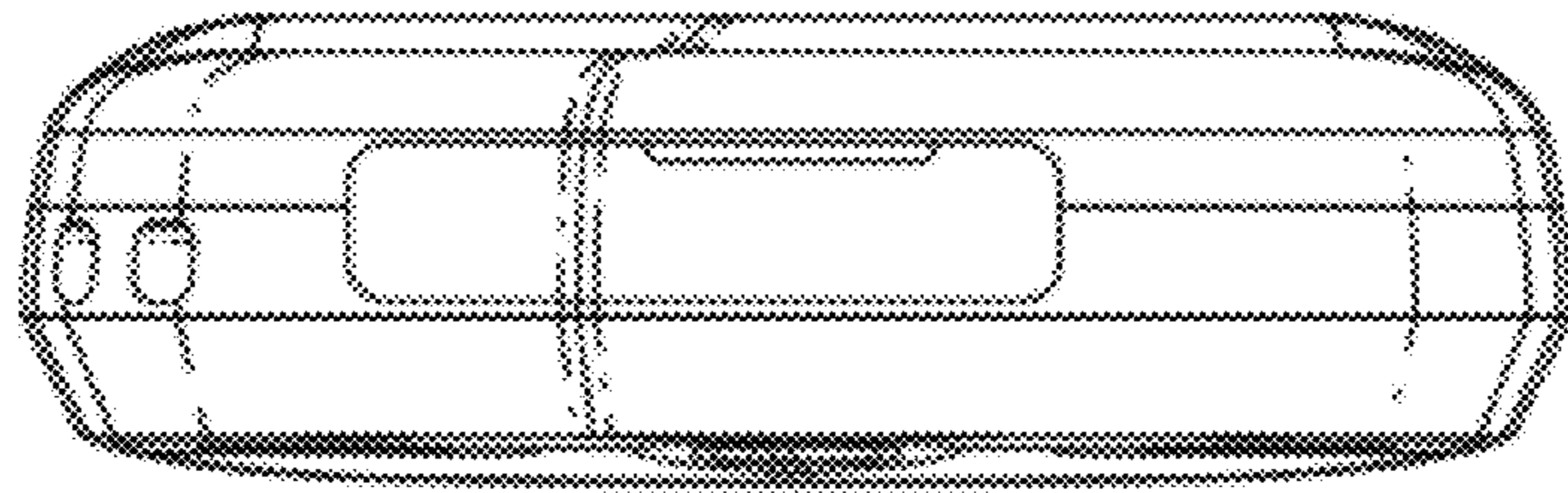


FIG. 7



FIG. 8

