



US00D657763S

(12) **United States Design Patent**
Kim

(10) **Patent No.:** **US D657,763 S**
(45) **Date of Patent:** **** Apr. 17, 2012**

(54) **MOBILE PHONE**

(75) Inventor: **Nam-Su Kim**, Seoul (KR)

(73) Assignee: **Samsung Electronics Co., Ltd.** (KR)

(**) Term: **14 Years**

(21) Appl. No.: **29/387,594**

(22) Filed: **Mar. 15, 2011**

(30) **Foreign Application Priority Data**

Dec. 30, 2010 (KR) 30-2010-0056772

(51) **LOC (9) Cl.** **14-03**

(52) **U.S. Cl.** **D14/138 AD**

(58) **Field of Classification Search** D14/138 R,
D14/138 AD, 138 AC, 138 C, 138 G, 191,
D14/203.1–203.8, 496, 138 AA, 138 AB,
D14/137, 147, 218, 341–347, 247–248; D10/65,
D10/78, 104; D13/168; D18/7; 455/566,
455/575.1, 575.3, 575.4
See application file for complete search history.

(56) **References Cited**

U.S. PATENT DOCUMENTS

D503,699 S * 4/2005 Lee et al. D14/138 AD
D509,202 S * 9/2005 Lee et al. D14/138 AD
D580,396 S * 11/2008 Kang D14/138 G
D601,993 S * 10/2009 Yun et al. D14/138 AD
D605,621 S * 12/2009 Kim et al. D14/138 AD
D607,865 S * 1/2010 Lee et al. D14/138 AD
D608,331 S * 1/2010 Kim et al. D14/138 AC
D616,857 S * 6/2010 Kim et al. D14/138 AD
D619,557 S * 7/2010 Han et al. D14/138 AD
D619,986 S * 7/2010 Kim et al. D14/138 AD
D619,989 S * 7/2010 Huang D14/138 G

D620,470 S * 7/2010 Sohn et al. D14/138 AD
D620,912 S * 8/2010 Kim et al. D14/138 AD
D621,378 S * 8/2010 Kim et al. D14/138 AD
D624,046 S * 9/2010 Lee et al. D14/138 G
D628,184 S * 11/2010 Jung et al. D14/138 G
D629,776 S * 12/2010 Lee et al. D14/138 AD
D631,456 S * 1/2011 Chung et al. D14/138 G

(Continued)

OTHER PUBLICATIONS

Pantech P4000, announced Aug. 2010, [online], [retrieved on Aug. 4, 2010]. Retrieved from Internet ,<URL: <http://www.gsmarena.com>>.*

(Continued)

Primary Examiner — Bridget L Eland

(74) *Attorney, Agent, or Firm* — NSIP Law

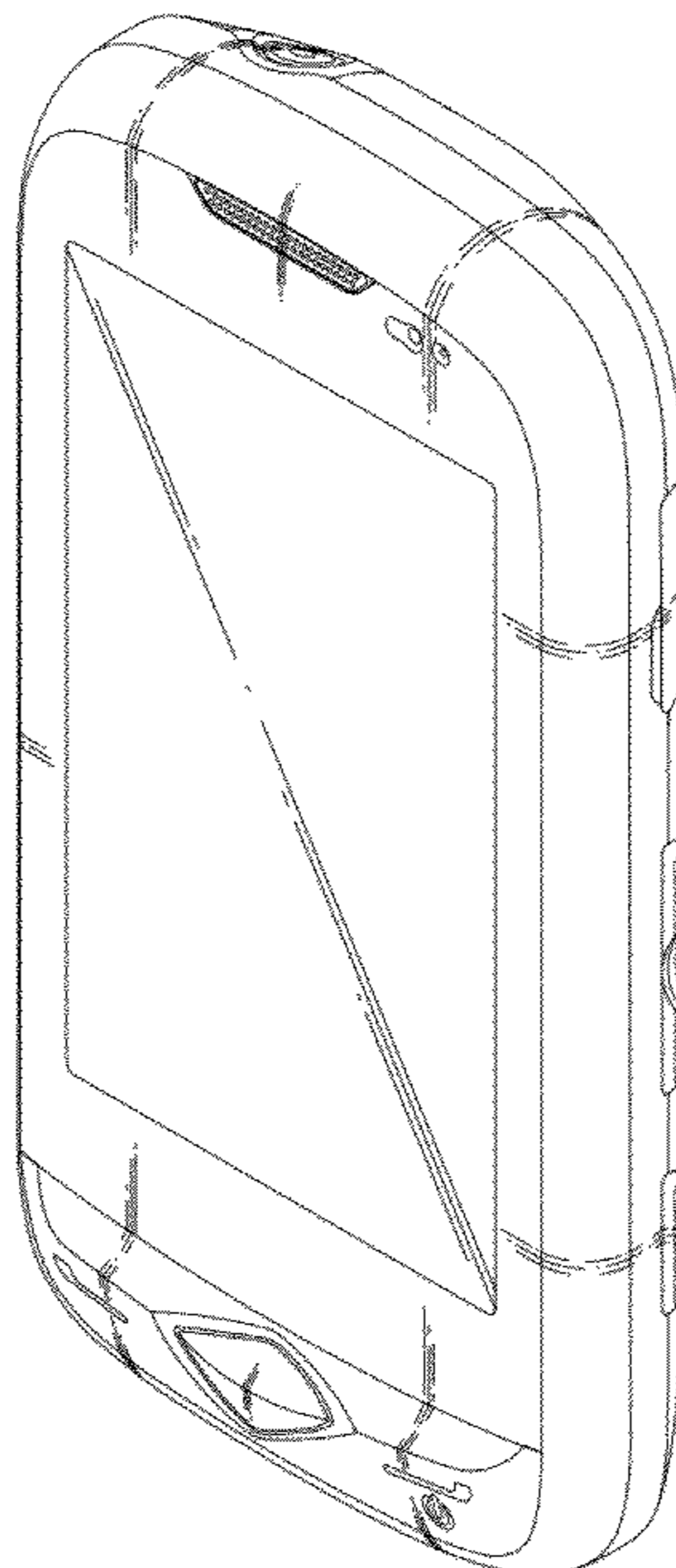
(57) **CLAIM**

The ornamental design for a mobile phone, as shown and described.

DESCRIPTION

FIG. 1 is a perspective view of a mobile phone;
FIG. 2 is a front view of the mobile phone of FIG. 1;
FIG. 3 is a rear view of the mobile phone of FIG. 1;
FIG. 4 is a left-side view of the mobile phone of FIG. 1;
FIG. 5 is a right-side view of the mobile phone of FIG. 1;
FIG. 6 is a top plan view of the mobile phone of FIG. 1;
FIG. 7 is a bottom plan view of the mobile phone of FIG. 1;
and,
FIG. 8 is an open front view of the mobile phone of FIG. 1.
The broken line immediately adjacent the shaded area represents an unclaimed boundary while all other broken lines are directed to environment and are for illustrative purposes only; the broken lines form no part of the claimed design.

1 Claim, 6 Drawing Sheets



US D657,763 S

Page 2

U.S. PATENT DOCUMENTS

D633,066 S * 2/2011 Park et al. D14/138 AD
D636,368 S * 4/2011 Kim D14/138 AD
D637,990 S * 5/2011 Lee et al. D14/138 AD
D639,766 S * 6/2011 Han et al. D14/138 AD
D646,252 S * 10/2011 Kim et al. D14/138 AD
2006/0223596 A1* 10/2006 Hur 455/575.4
2007/0218963 A1* 9/2007 Kim 455/575.4
2008/0076480 A1* 3/2008 Jeong et al. 455/566

OTHER PUBLICATIONS

Samsung S5560, announced Oct. 2009, [online], [retrieved on Oct. 28, 2009]. Retrieved from Internet ,<URL: <http://www.gsmarena.com>>.*

Samsung M715 T*OMNIA II, announced Nov. 2009, [online], [retrieved on Feb. 1, 2011]. Retrieved from Internet ,<URL: <http://www.gsmarena.com>>.*

Samsung B3410, announced Oct. 2009, [online], [retrieved on Nov. 25, 2009]. Retrieved from Internet ,<URL: <http://www.gsmarena.com>>.*

Samsung B3410W Ch@t, announced Feb. 2010, [online], [retrieved on Feb. 17, 2010]. Retrieved from Internet ,<URL: <http://www.gsmarena.com>>.*

Samsung B7722, announced Jun. 2010, [online], [retrieved on Jun. 11, 2010]. Retrieved from Internet ,<URL: <http://www.gsmarena.com>>.*

* cited by examiner

FIG. 1

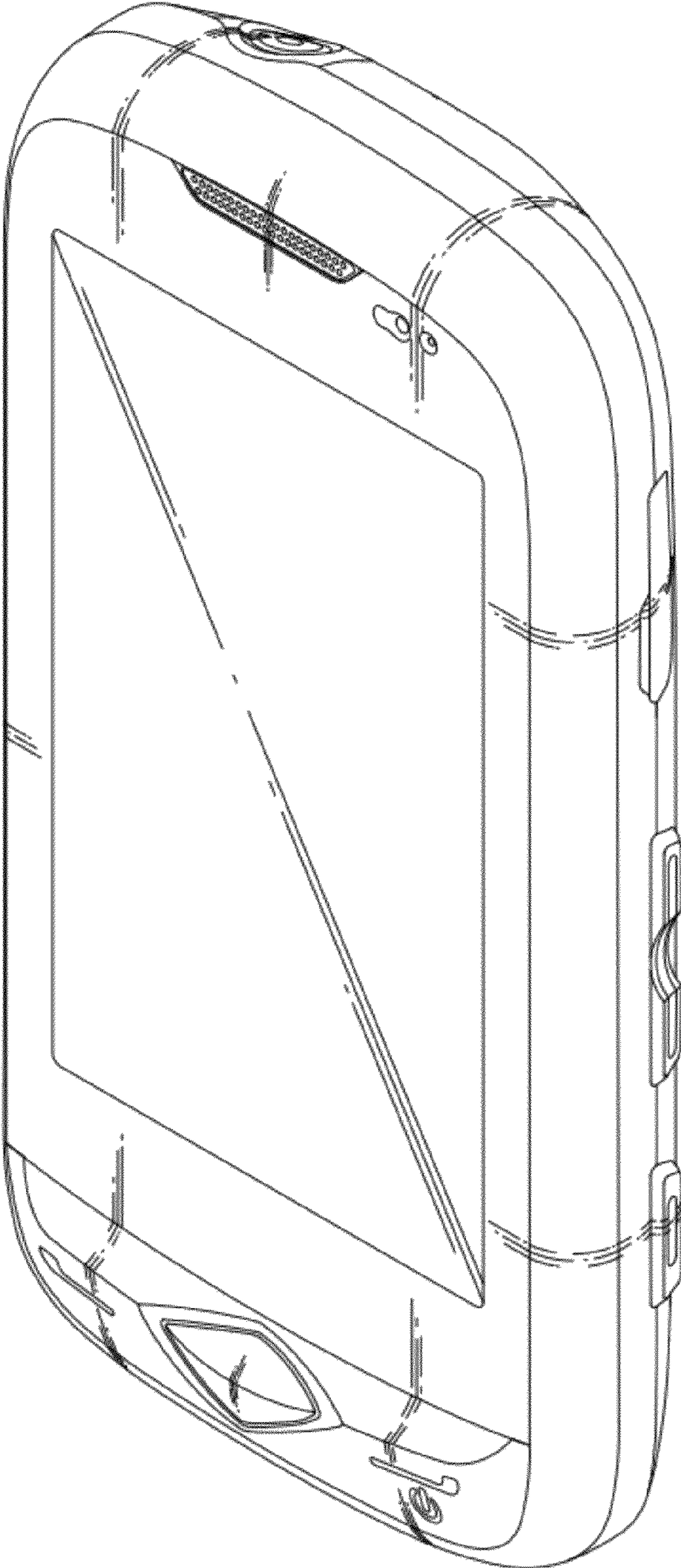


FIG. 2

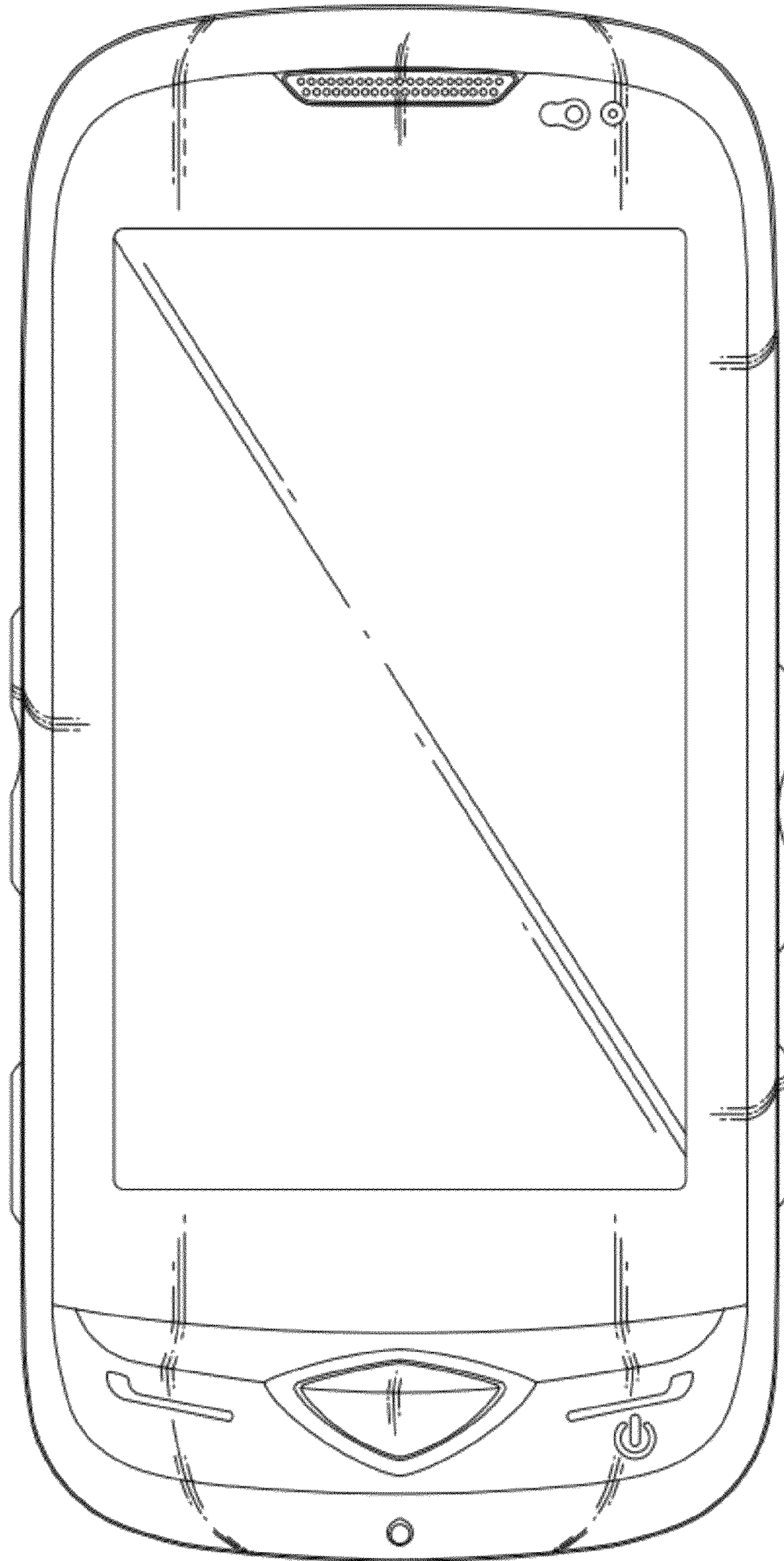


FIG. 3

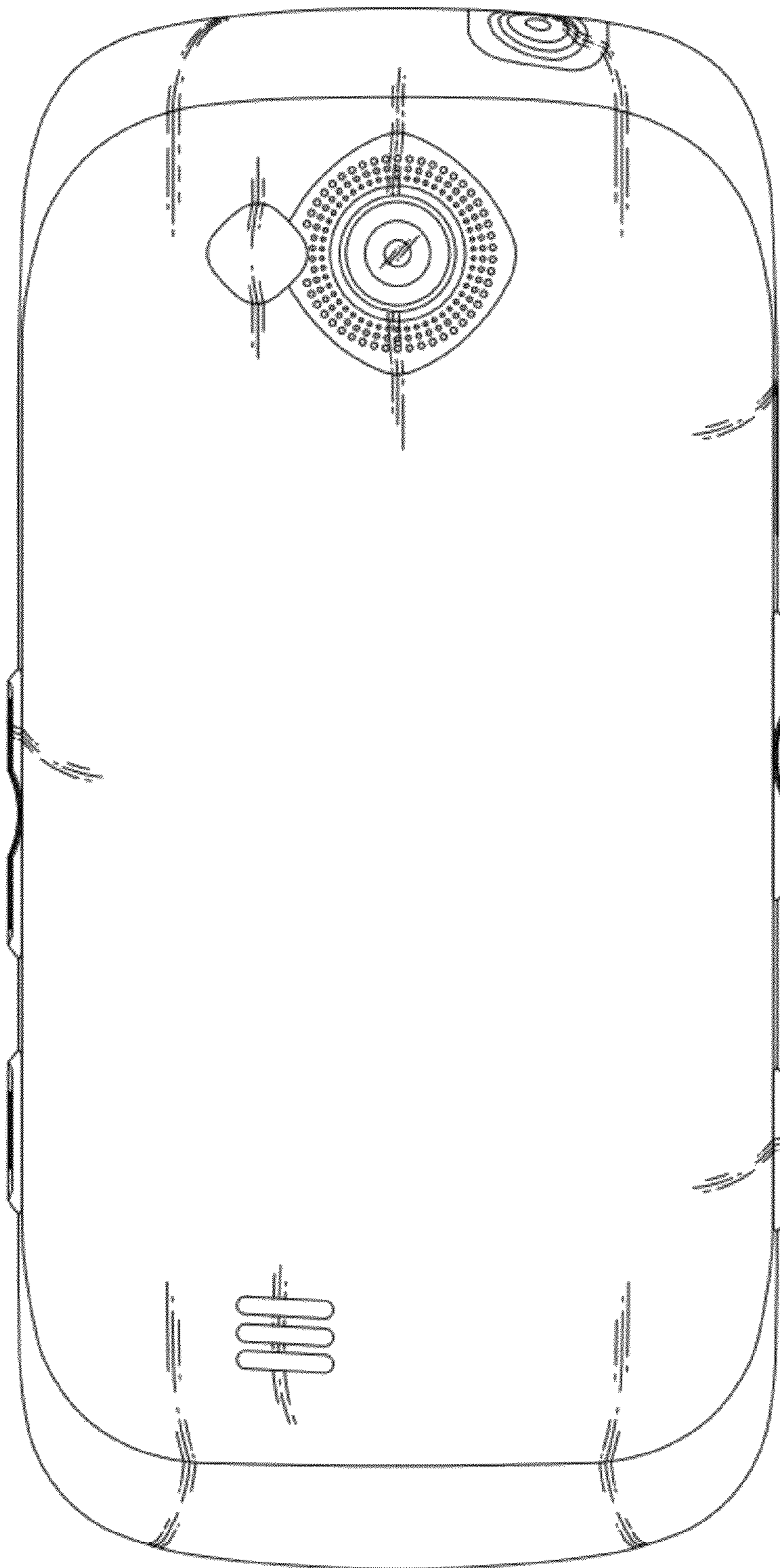


FIG. 4

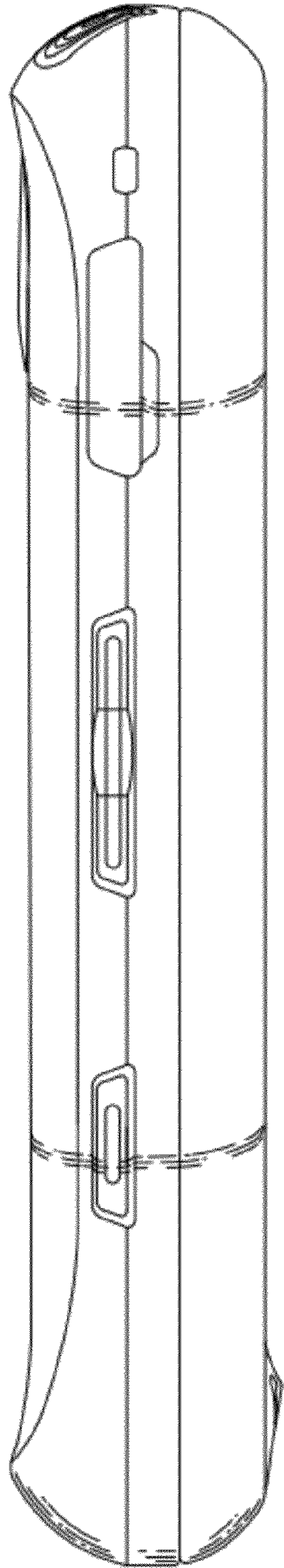


FIG. 5

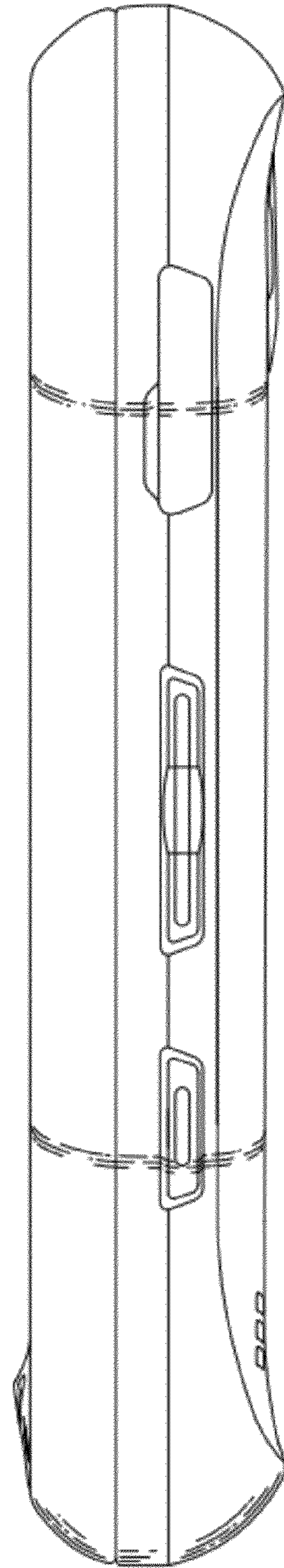


FIG. 6

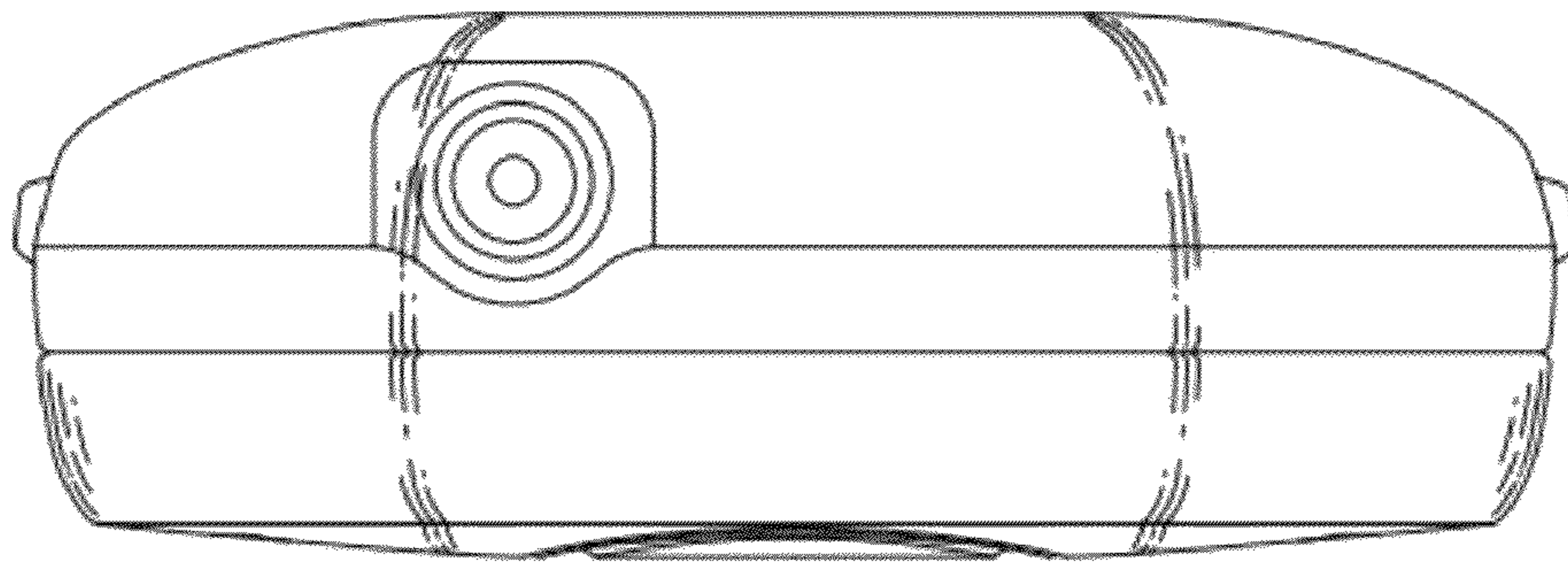


FIG. 7

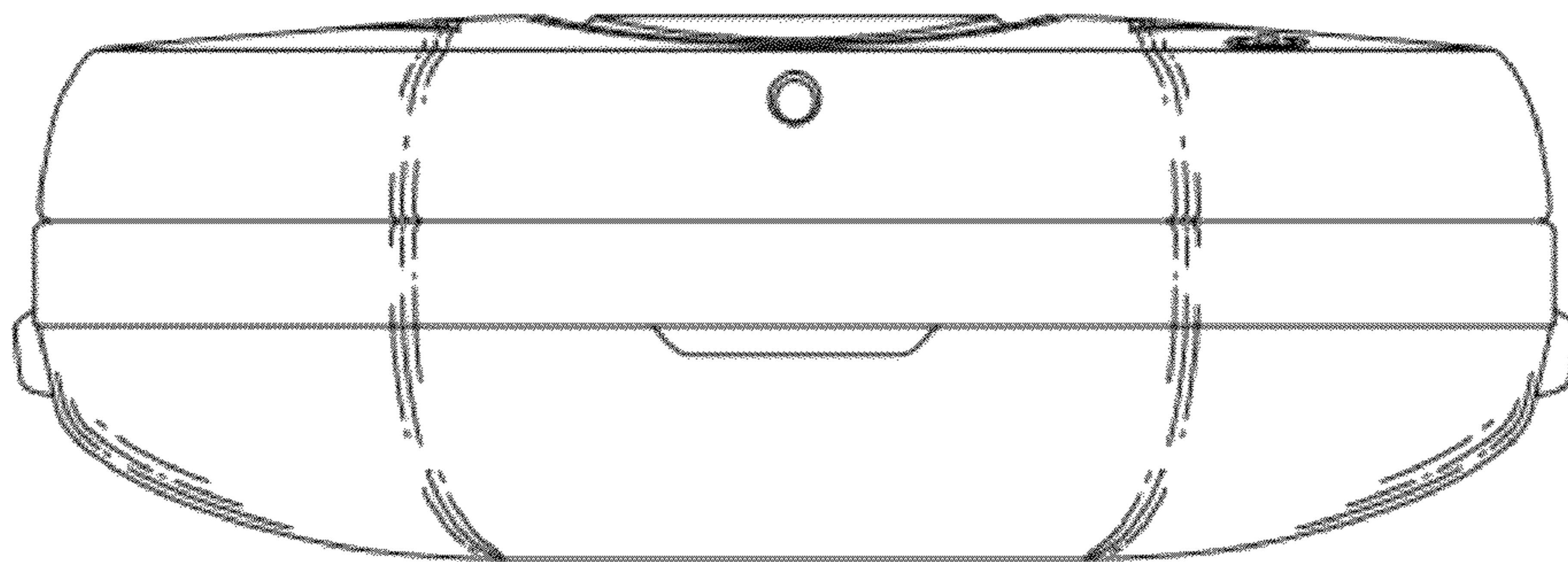


FIG. 8

