



US00D657762S

(12) **United States Design Patent**  
**Jung et al.**

(10) **Patent No.:** **US D657,762 S**  
(45) **Date of Patent:** **\*\* Apr. 17, 2012**

(54) **MOBILE PHONE**

(75) Inventors: **Jong-Bo Jung**, Seoul (KR); **Ji-Young Lee**, Seoul (KR)

(73) Assignee: **Samsung Electronics Co., Ltd.** (KR)

(\*\*) Term: **14 Years**

(21) Appl. No.: **29/387,566**

(22) Filed: **Mar. 15, 2011**

(30) **Foreign Application Priority Data**

Dec. 24, 2010 (KR) ..... 30-2010-0055785

(51) **LOC (9) Cl.** ..... **14-03**

(52) **U.S. Cl.** ..... **D14/138 AD; D14/138 G**

(58) **Field of Classification Search** ..... D14/138 R,  
D14/138 AD, 138 AC, 138 C, 138 G, 191,  
D14/203.1-203.8, 496, 138 AA, 138 AB,  
D14/137, 147, 218, 341-347, 247-248; D10/65,  
D10/78, 104; D13/168; D18/7; 455/566,  
455/575.1, 575.3, 575.4

See application file for complete search history.

(56) **References Cited**

**U.S. PATENT DOCUMENTS**

- D498,754 S \* 11/2004 Blyth ..... D14/341
- D530,295 S \* 10/2006 Chung et al. .... D14/138 AD
- D556,169 S \* 11/2007 Choi ..... D14/138 AD
- D565,533 S \* 4/2008 Kim et al. .... D14/138 AD
- D572,695 S \* 7/2008 Tu ..... D14/138 AD
- D580,430 S \* 11/2008 Wei ..... D14/341
- D606,037 S \* 12/2009 Christopher et al. . D14/138 AD
- D606,958 S \* 12/2009 Knoppert et al. .... D14/138 AD
- D607,428 S \* 1/2010 Kim et al. .... D14/138 AD
- D613,709 S \* 4/2010 Kim et al. .... D14/138 AD

- D617,764 S \* 6/2010 Liu et al. .... D14/138 AD
- D619,989 S \* 7/2010 Huang ..... D14/138 G
- D622,691 S \* 8/2010 Kim et al. .... D14/138 G
- D631,464 S \* 1/2011 Kim ..... D14/138 G

(Continued)

**OTHER PUBLICATIONS**

Alcatel OT-708 One Touch MINI, announced Jun. 2009, [online], [retrieved on Jun. 23, 2009 & Sep. 4, 2009]. Retrieved from Internet ,<URL: <http://www.gsmarena.com>>.\*

Motorola XT800, announced Dec. 2009, [online], [retrieved on Jan. 4, 2010]. Retrieved from Internet ,<URL: <http://www.gsmarena.com>>.\*

(Continued)

*Primary Examiner* — Bridget L Eland

(74) *Attorney, Agent, or Firm* — NSIP Law

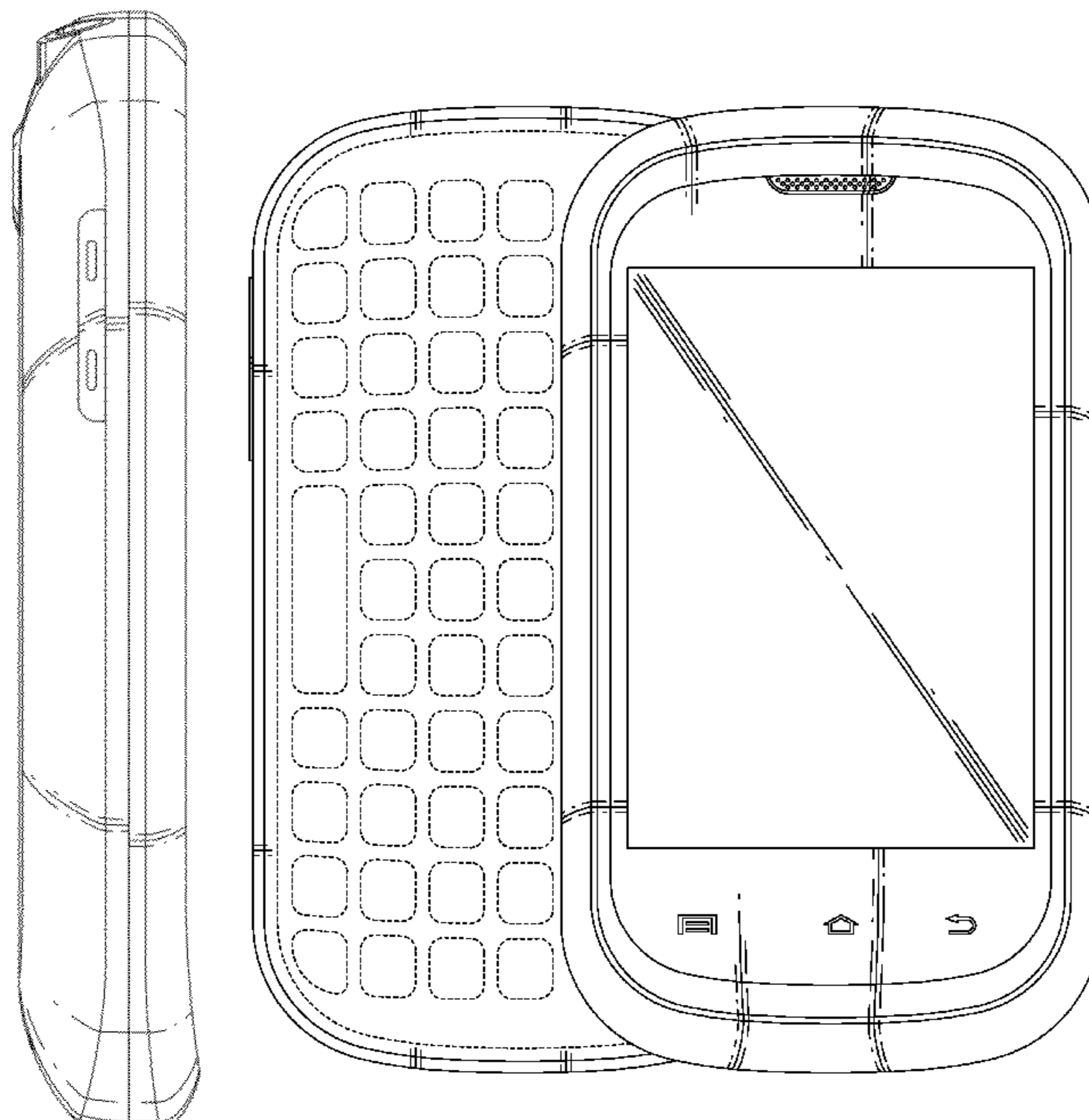
(57) **CLAIM**

The ornamental design for a mobile phone, as shown and described.

**DESCRIPTION**

FIG. 1 is a perspective view of a mobile phone;  
 FIG. 2 is a front view of the mobile phone of FIG. 1;  
 FIG. 3 is a rear view of the mobile phone of FIG. 1;  
 FIG. 4 is a left-side view of the mobile phone of FIG. 1;  
 FIG. 5 is a right-side view of the mobile phone of FIG. 1;  
 FIG. 6 is a top plan view of the mobile phone of FIG. 1;  
 FIG. 7 is a bottom plan view of the mobile phone of FIG. 1;  
 and,  
 FIG. 8 is an open front view of the mobile phone of FIG. 1.  
 The broken line immediately adjacent the shaded area represents an unclaimed boundary while all other broken lines are directed to environment and are for illustrative purposes only; the broken lines form no part of the claimed design.

**1 Claim, 6 Drawing Sheets**



# US D657,762 S

Page 2

---

## U.S. PATENT DOCUMENTS

D635,949 S \* 4/2011 Kim ..... D14/138 AD  
D642,152 S \* 7/2011 Cho ..... D14/138 AD  
D645,010 S \* 9/2011 Lee et al. .... D14/138 G  
D646,252 S \* 10/2011 Kim et al. .... D14/138 AD  
2005/0190291 A1\* 9/2005 Kota et al. .... 348/376  
2006/0223596 A1\* 10/2006 Hur ..... 455/575.4  
2007/0218963 A1\* 9/2007 Kim ..... 455/575.4  
2011/0105186 A1\* 5/2011 Griffin et al. .... 455/566

## OTHER PUBLICATIONS

Philips Xenium X830, announced Jul. 2009, [online], [retrieved on Aug. 6 2009]. Retrieved from Internet ,<URL: <http://www.gsmarena.com>>.\*

HTC Explorer, announced Sep. 2011, [online], [retrieved on Oct. 11, 2011]. Retrieved from Internet ,<URL: <http://www.gsmarena.com>>.\*

\* cited by examiner

FIG. 1

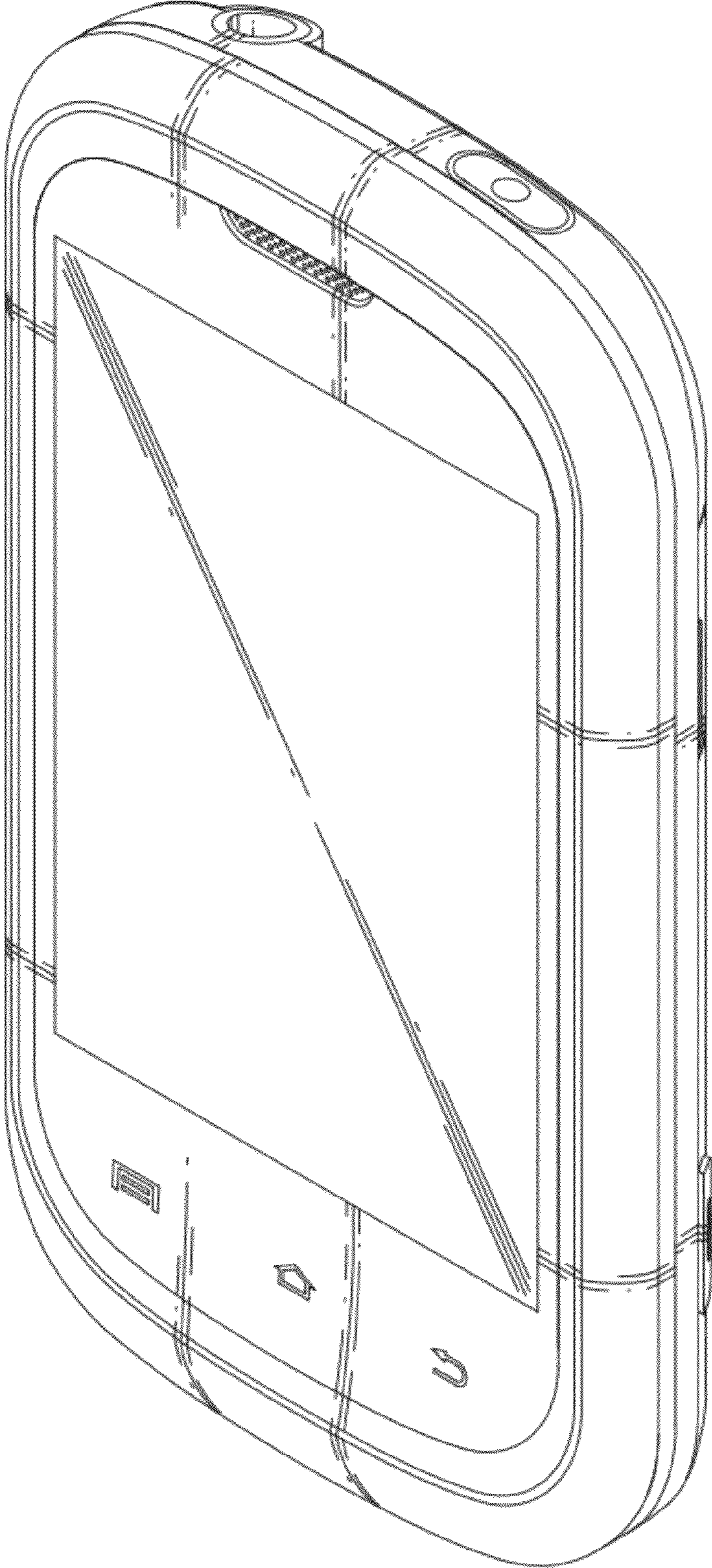


FIG. 2

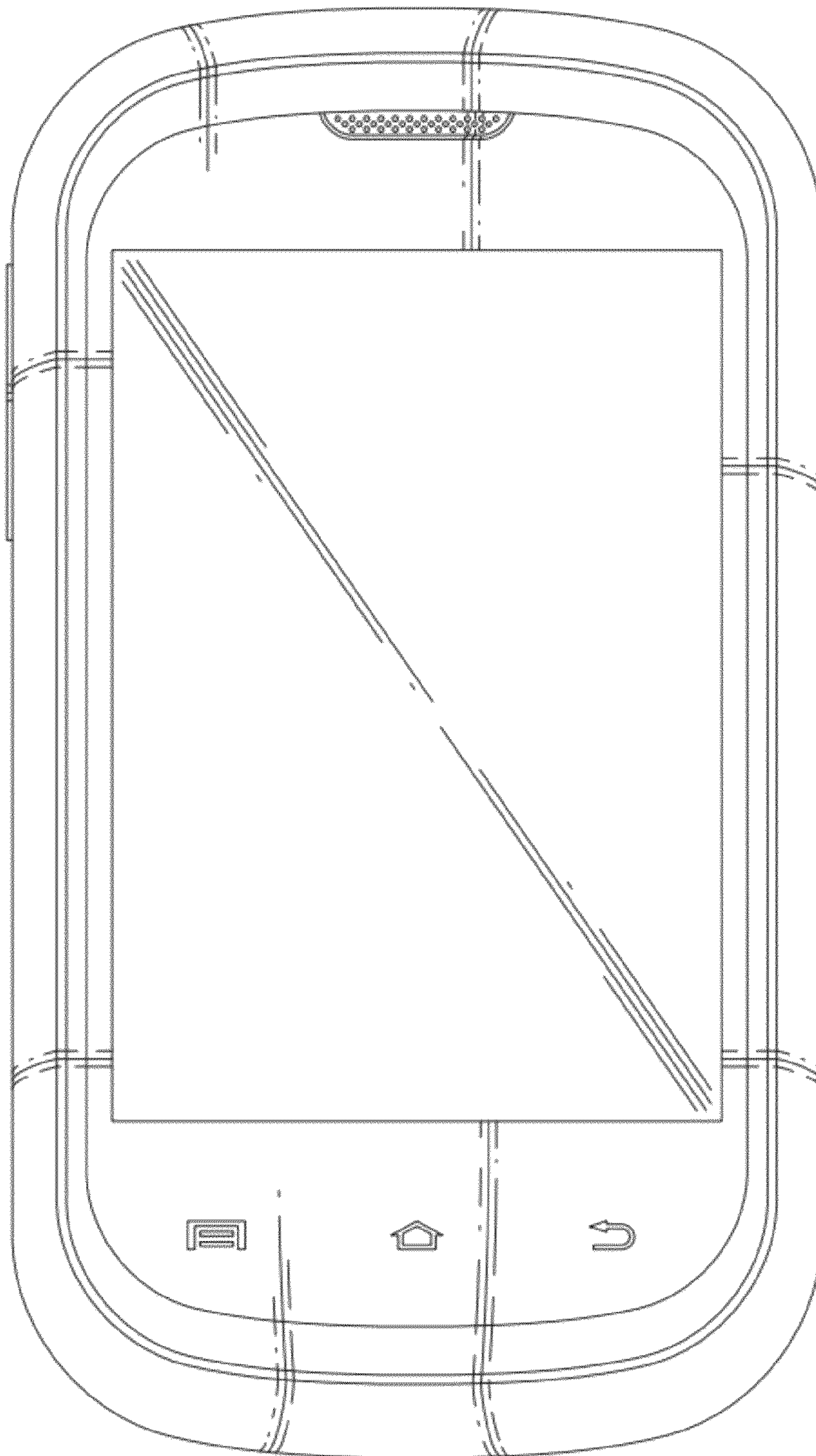


FIG. 3

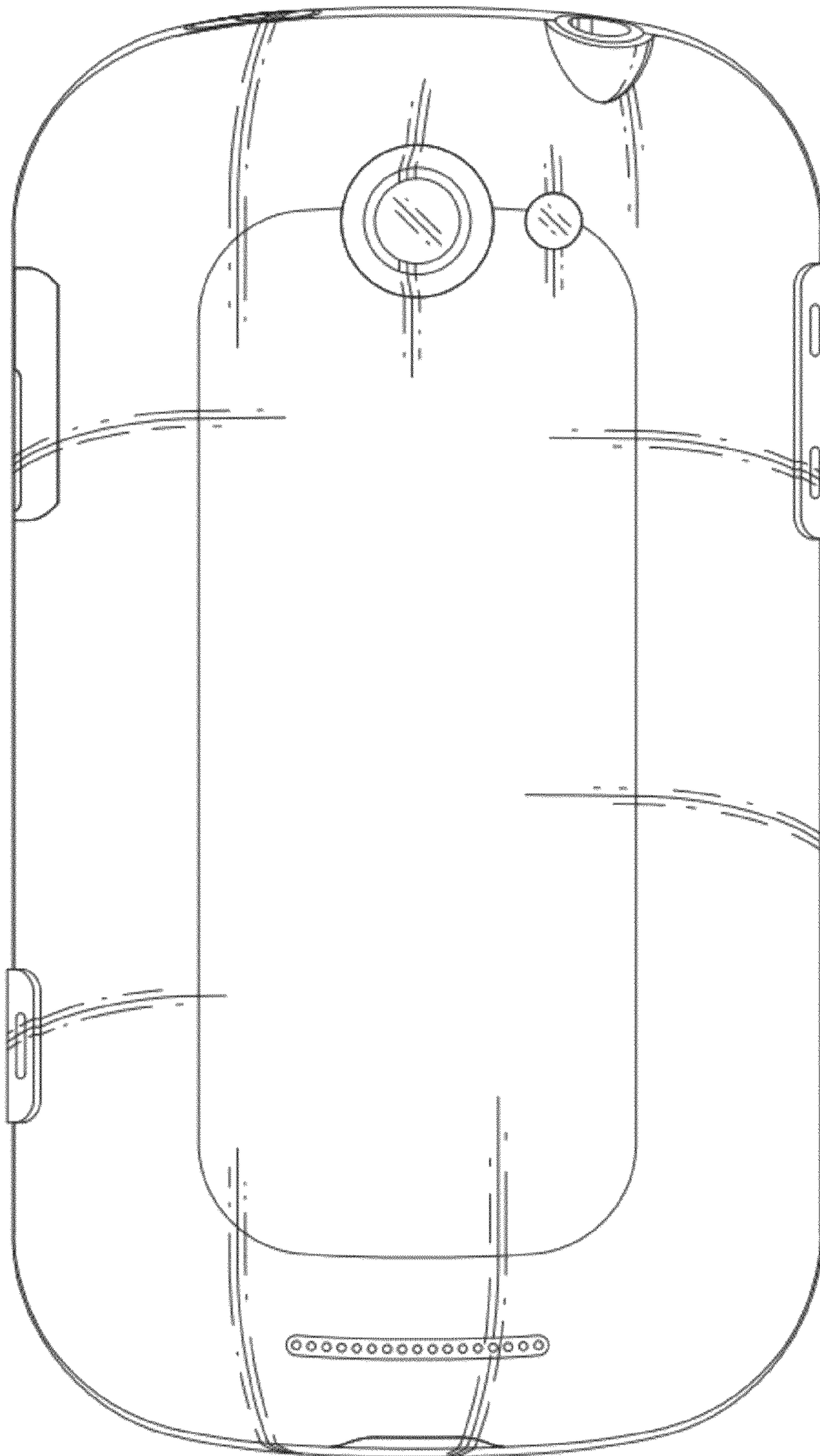


FIG. 4

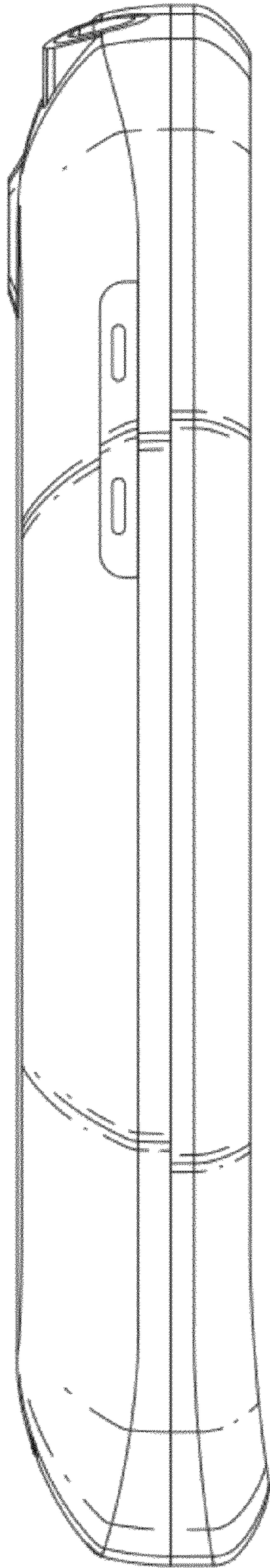


FIG. 5

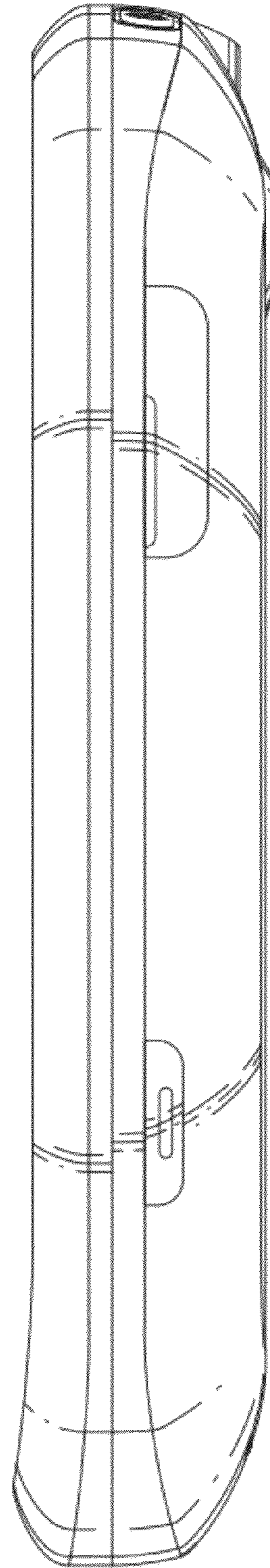


FIG. 6

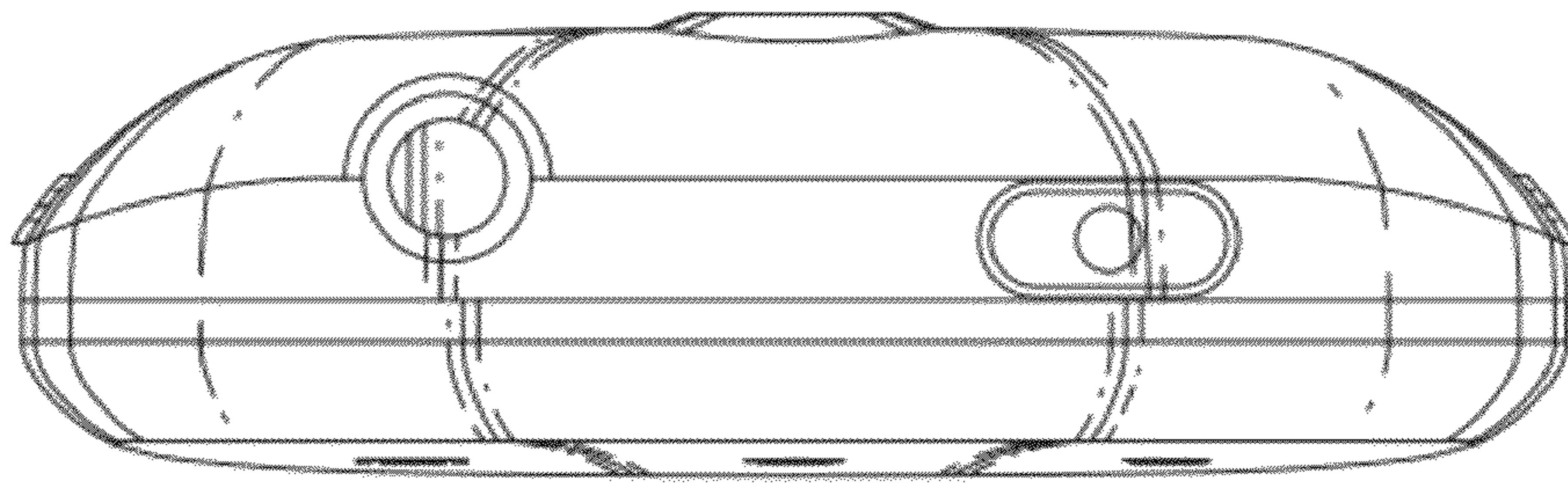


FIG. 7

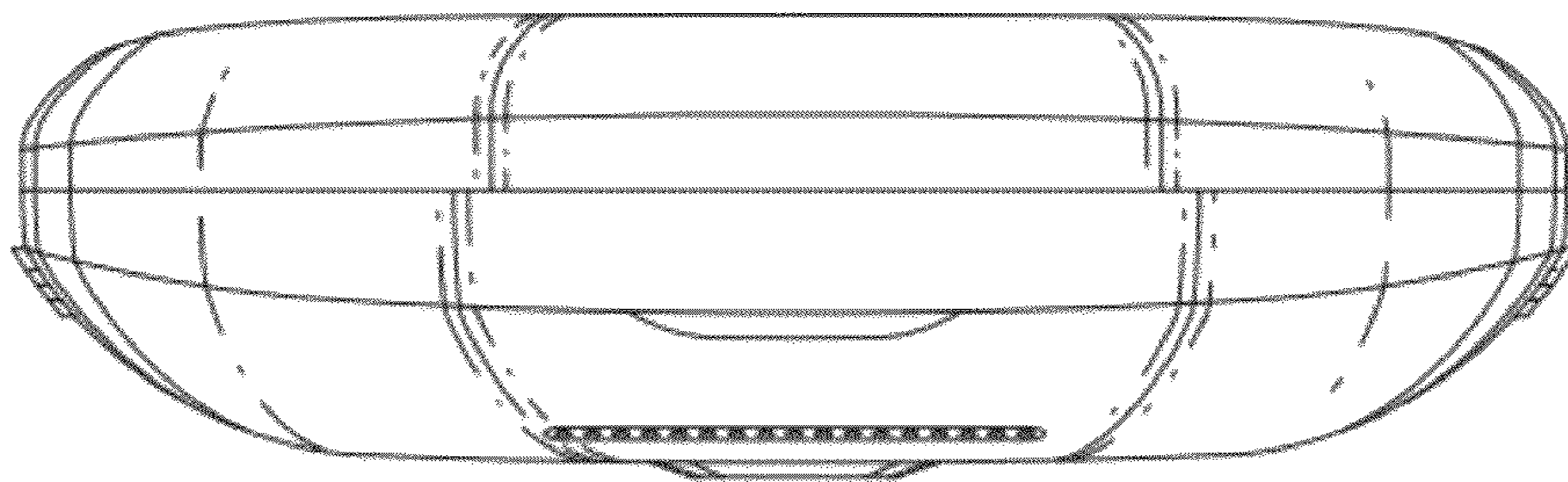


FIG. 8

