

US00D657759S

(12) **United States Design Patent**  
**Devillier**

(10) **Patent No.:** **US D657,759 S**  
(45) **Date of Patent:** **\*\* Apr. 17, 2012**

(54) **ELECTRONICS ENCLOSURE**

(76) Inventor: **Matt C. Devillier**, Breaux Bridge, LA  
(US)

(\*\*) Term: **14 Years**

(21) Appl. No.: **29/386,592**

(22) Filed: **Mar. 2, 2011**

(51) **LOC (9) Cl.** ..... **13-03**

(52) **U.S. Cl.** ..... **D13/184; D14/300**

(58) **Field of Classification Search** ..... D14/300,  
D14/308, 311-314, 349-361, 388, 140.2-140.4;  
D13/184, 199, 154; 312/223.1-223.3;  
360/99.01-99.12; 361/679.01, 679.33, 679.34,  
361/679.39; 369/34.01, 36.01; 174/50

See application file for complete search history.

(56) **References Cited**

**U.S. PATENT DOCUMENTS**

D203,826 S	2/1966	Allen
D297,837 S	9/1988	Shibuya et al.
D310,999 S	10/1990	Nuttall et al.
D318,874 S	8/1991	Pushelberg et al.
D329,640 S	9/1992	Harvey et al.
D338,469 S	8/1993	Alden et al.
D338,874 S	8/1993	Renard
D384,041 S	9/1997	Gallasch

D423,465 S	4/2000	Runnalls et al.	
D428,603 S	7/2000	Sonntag	
D475,046 S *	5/2003	Chang	D14/300
6,741,466 B1 *	5/2004	Lebo	361/679.01
6,853,549 B2 *	2/2005	Xu	361/679.39
7,382,610 B2 *	6/2008	Lin et al.	361/679.33
D593,970 S	6/2009	Sonntag	
D606,033 S	12/2009	Sonntag	
7,778,021 B2 *	8/2010	Zhang et al.	361/679.33
2008/0259554 A1 *	10/2008	Qin et al.	361/685

\* cited by examiner

*Primary Examiner* — Freda S Nunn

(74) *Attorney, Agent, or Firm* — QuickPatents, Inc.; Kevin Prince

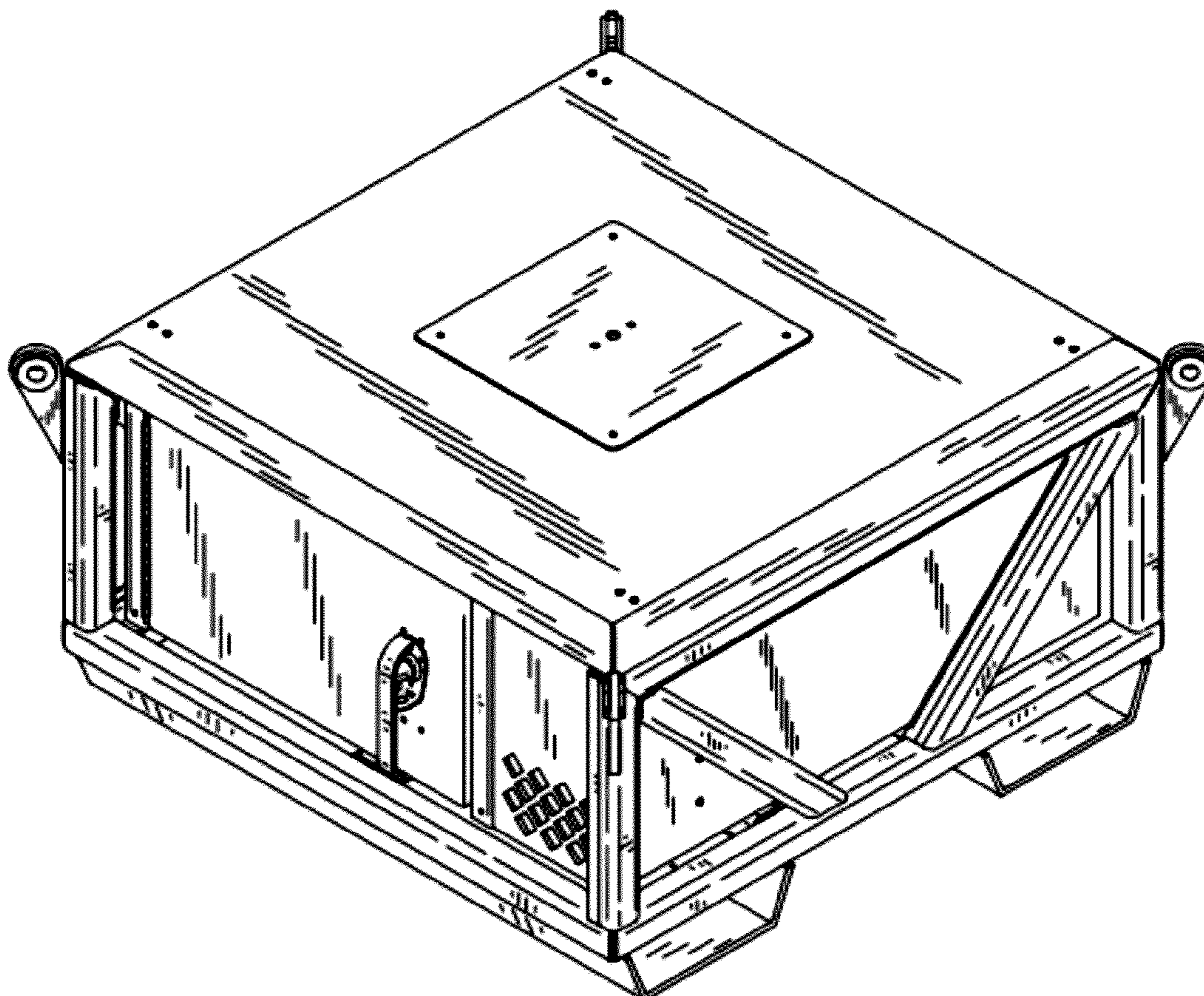
(57) **CLAIM**

The ornamental design for a electronics enclosure, as shown and described.

**DESCRIPTION**

FIG. 1 is a front left perspective view of a electronics enclosure, showing the new design;  
FIG. 2 is a front elevational view thereof;  
FIG. 3 is a left-side elevational view thereof;  
FIG. 4 is a rear elevational view thereof;  
FIG. 5 is a right-side elevational view thereof;  
FIG. 6 is a top plan view thereof;  
FIG. 7 is a bottom plan view thereof; and,  
FIG. 8 is a rear right perspective view thereof.

**1 Claim, 3 Drawing Sheets**





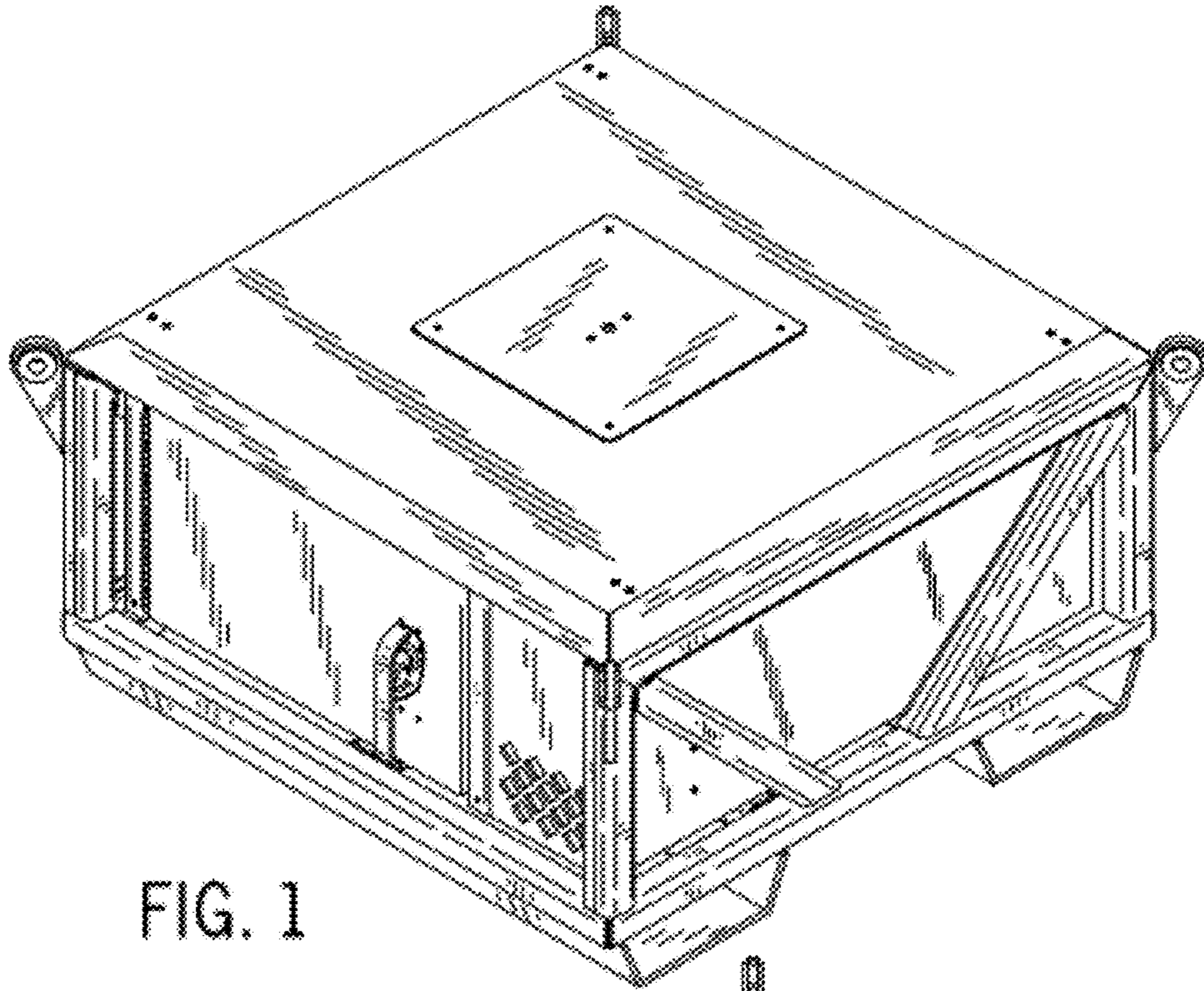


FIG. 1

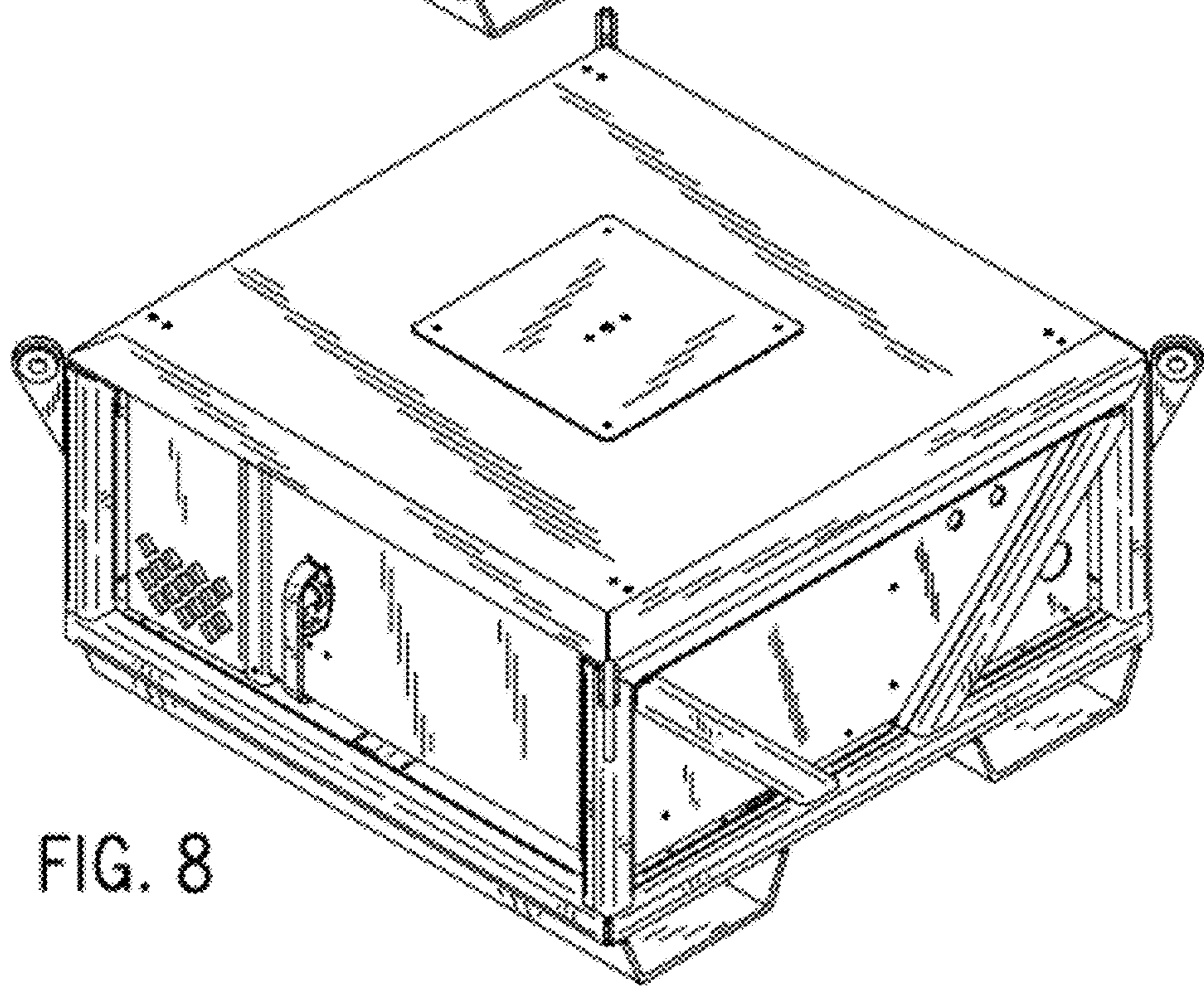


FIG. 8



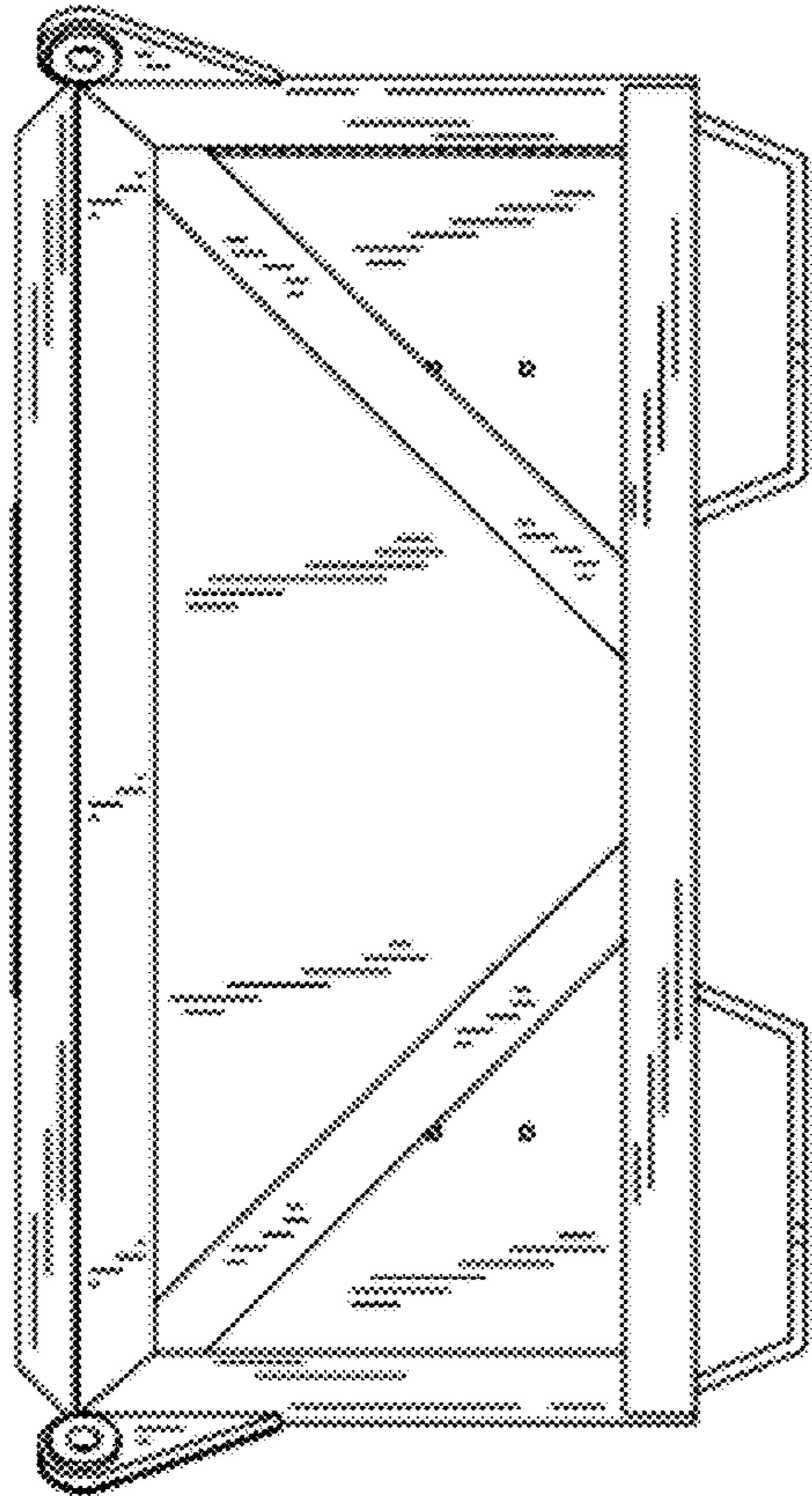


FIG. 3

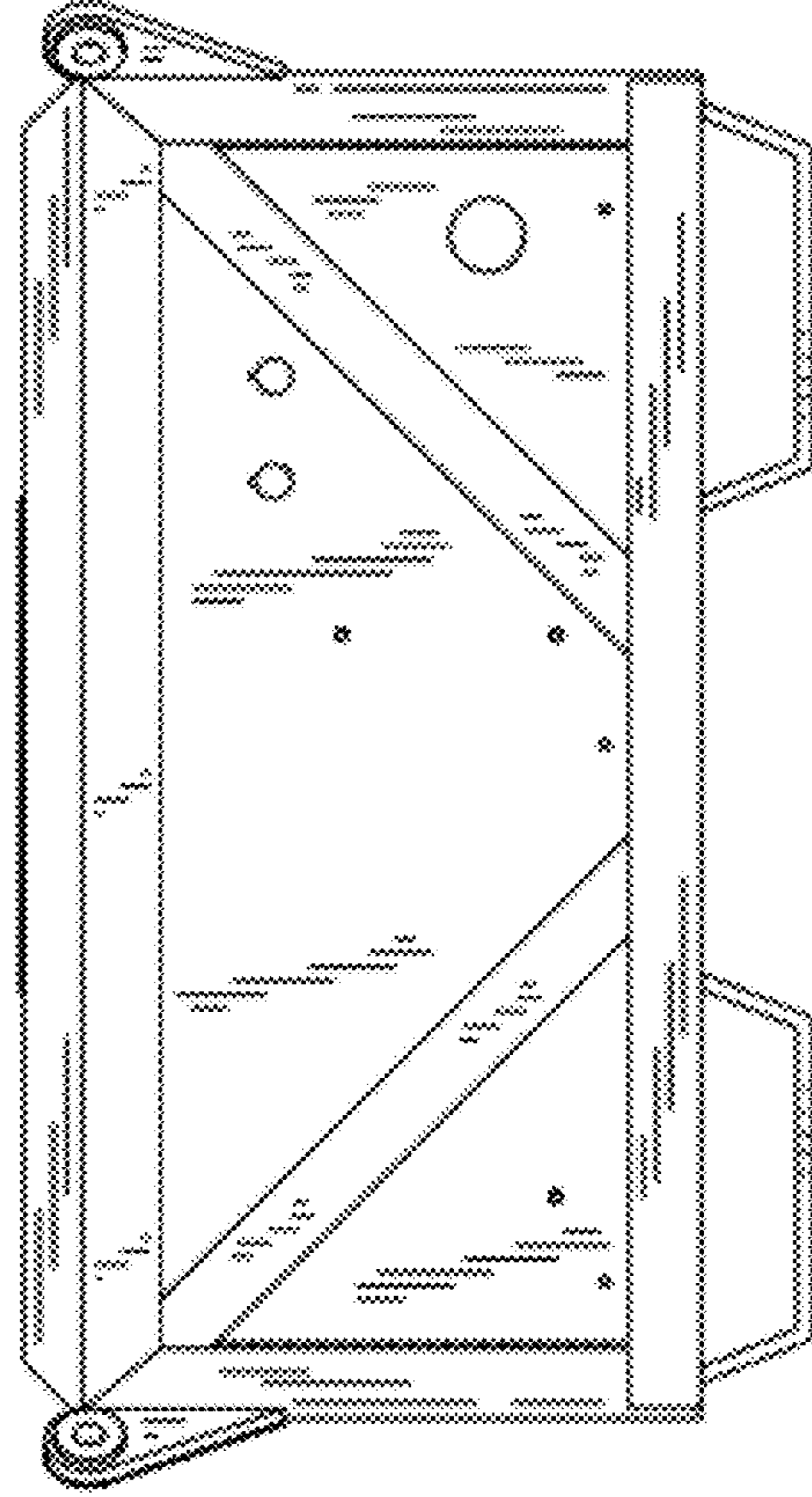


FIG. 5

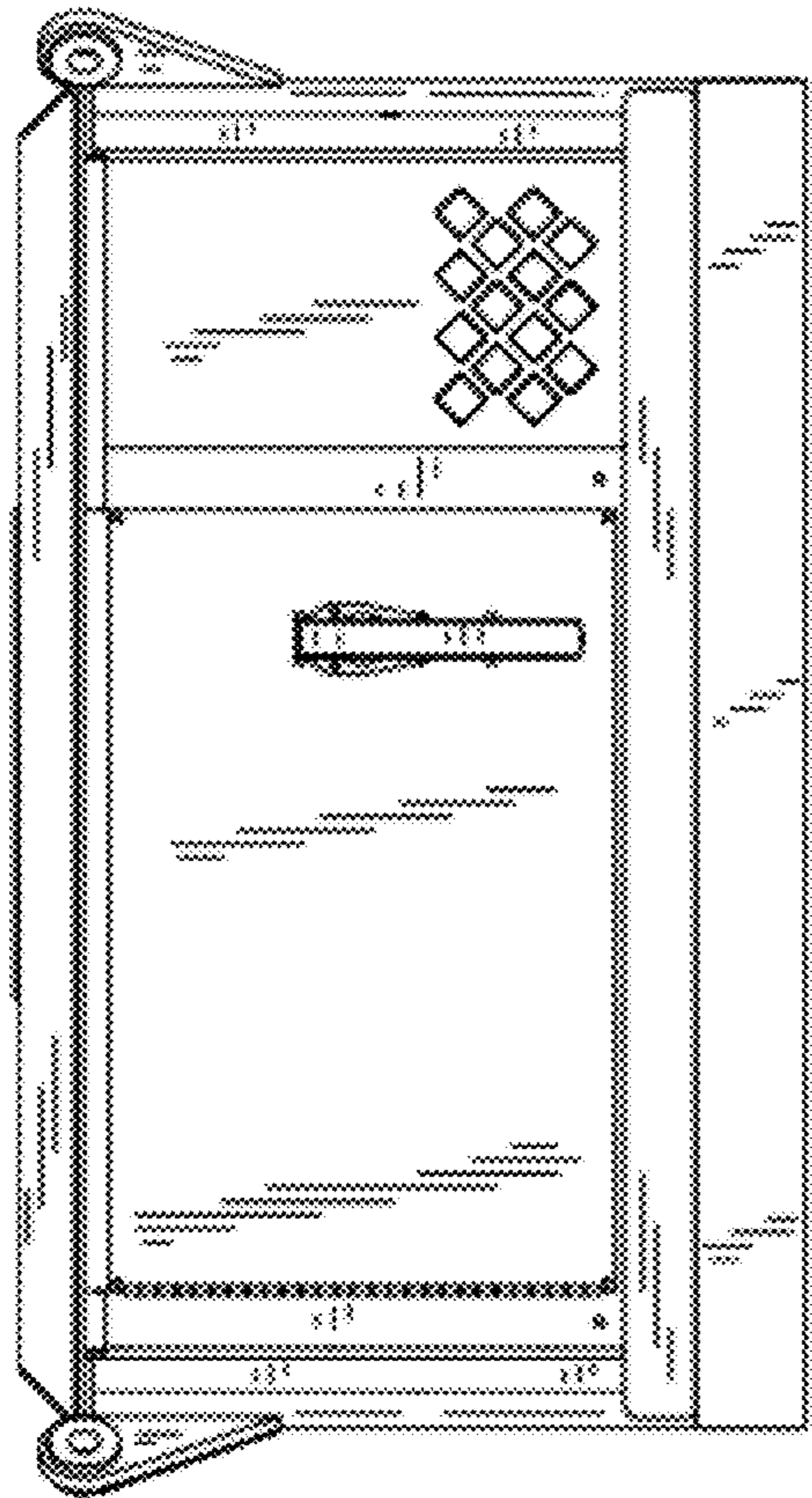


FIG. 2

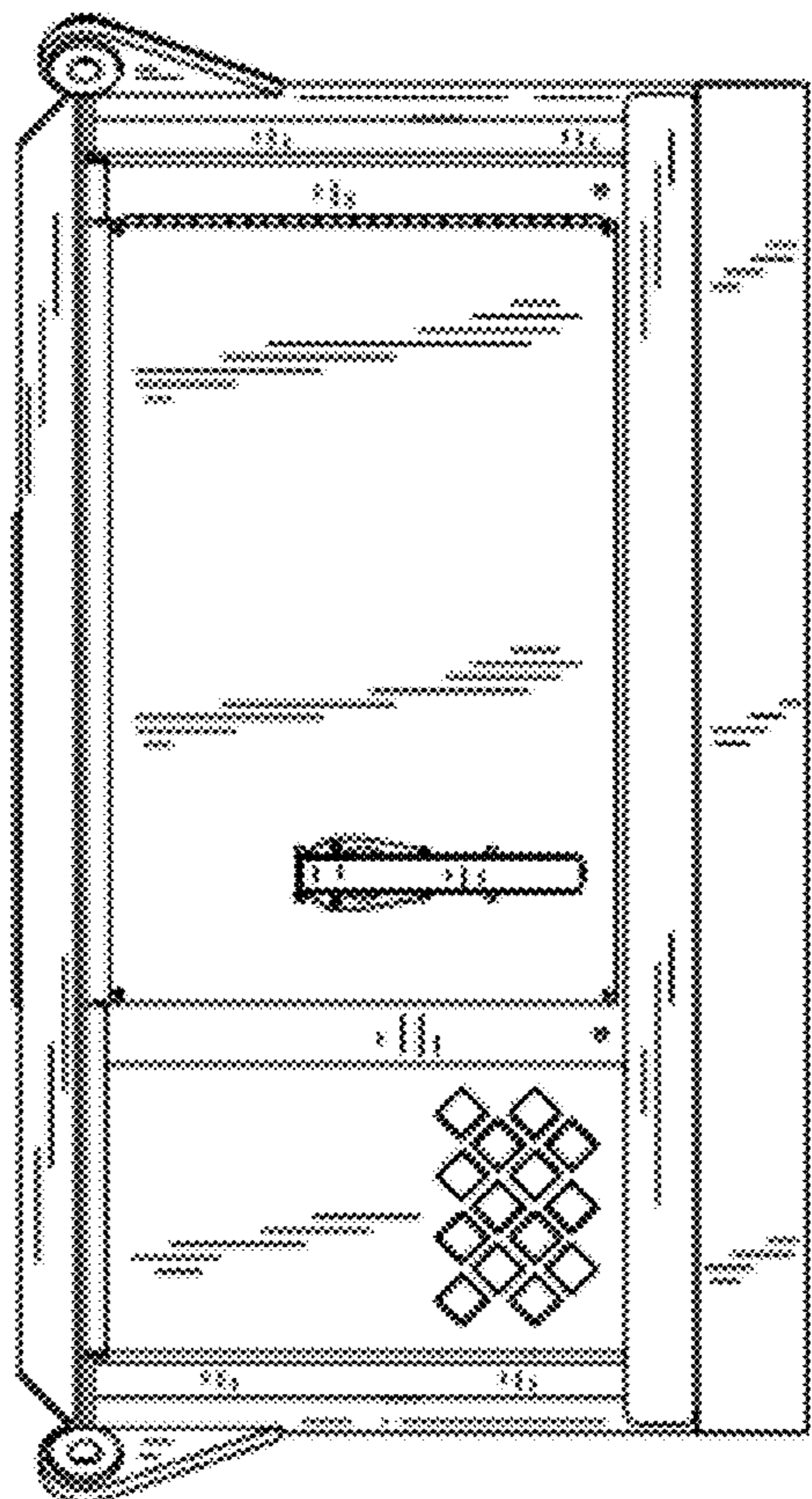


FIG. 4

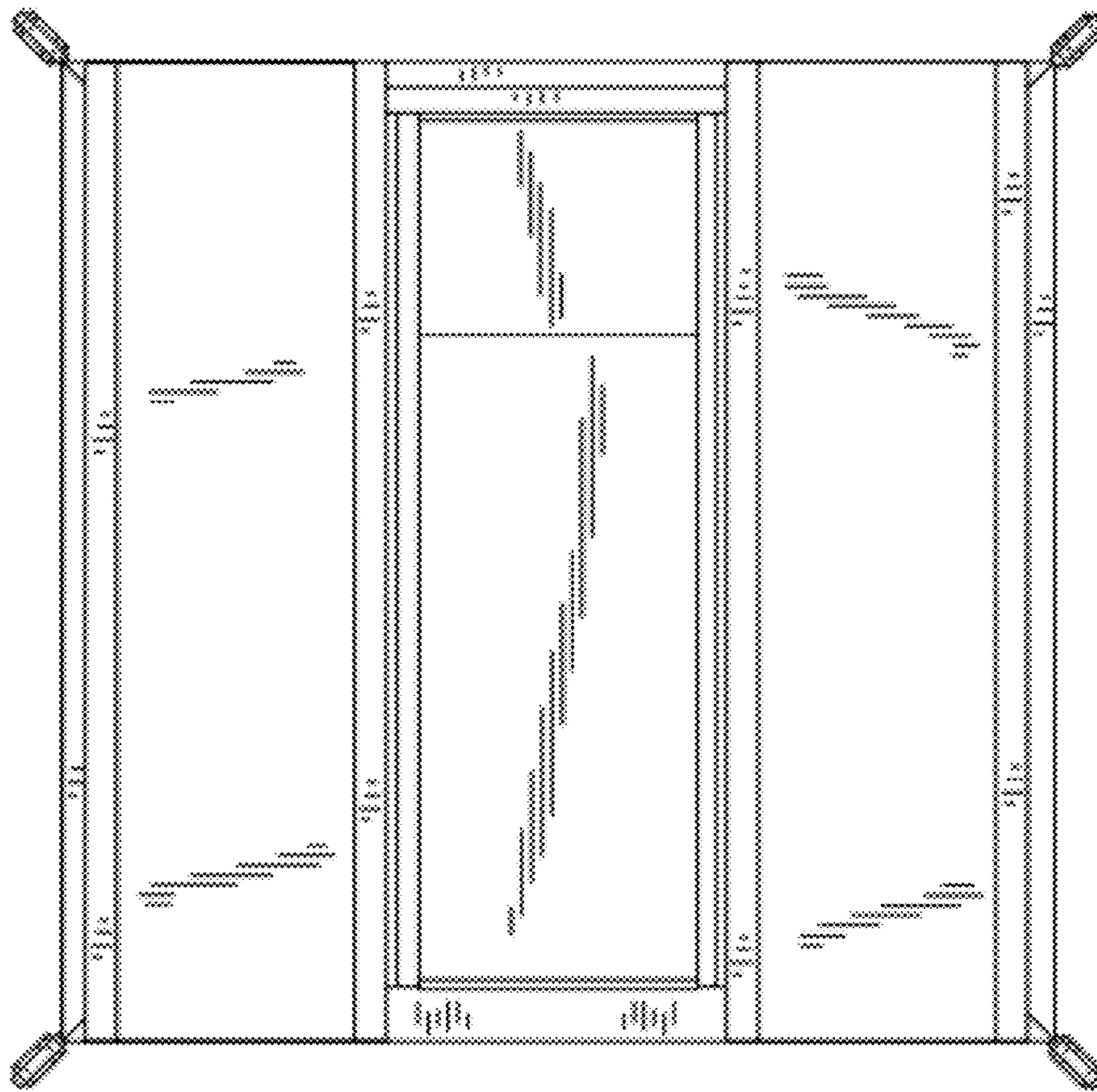


FIG. 6

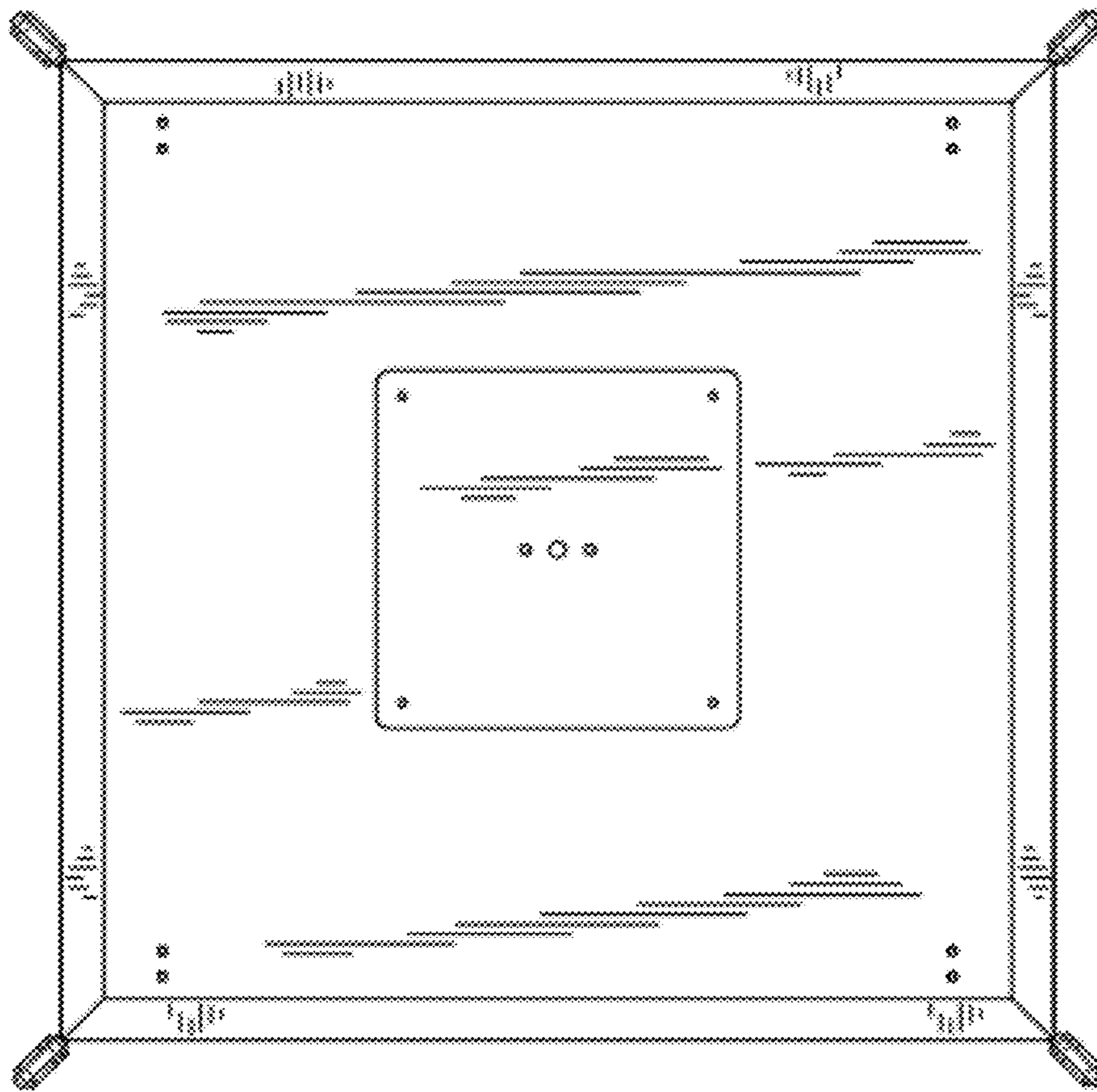


FIG. 7