



US00D657754S

(12) **United States Design Patent**  
**Kashimoto**

(10) **Patent No.:** **US D657,754 S**

(45) **Date of Patent:** **\*\* Apr. 17, 2012**

(54) **CONTROLLER FOR AIR CONDITIONER**

(75) Inventor: **Hiroko Kashimoto**, Kusatsu (JP)

(73) Assignee: **Daikin Industries Ltd.**, Osaka (JP)

(\*\*) Term: **14 Years**

(21) Appl. No.: **29/371,717**

(22) Filed: **Jul. 25, 2011**

(30) **Foreign Application Priority Data**

Apr. 5, 2011 (JP) ..... 2011-007861

(51) **LOC (9) Cl.** ..... **14-03**

(52) **U.S. Cl.** ..... **D13/168**

(58) **Field of Classification Search** ..... D13/168;  
D10/104.1, 106.1; D14/218; D21/324; 315/158,  
315/295; 340/4.3, 4.42, 12.22, 12.23, 12.24,  
340/12.29, 12.3, 13.2, 13.21, 13.24; 341/176;  
345/169; 348/734; 455/352; 463/39; 700/17,  
700/65, 83

See application file for complete search history.

(56) **References Cited**

**U.S. PATENT DOCUMENTS**

D573,548 S \* 7/2008 Chouji et al. .... D13/168

D619,107 S \* 7/2010 Giugiaro ..... D13/168  
D621,370 S \* 8/2010 Chouji et al. .... D13/168  
D634,277 S \* 3/2011 Chouji ..... D13/168  
D634,715 S \* 3/2011 Choi et al. .... D13/168  
D639,750 S \* 6/2011 Chouji ..... D13/168  
D648,285 S \* 11/2011 Kashimoto ..... D13/168

\* cited by examiner

*Primary Examiner* — Selina Sikder

(74) *Attorney, Agent, or Firm* — Manabu Kanesaka

(57) **CLAIM**

The ornamental design for a controller for air conditioner, as shown and described.

**DESCRIPTION**

FIG. 1 is a perspective view of a controller for air conditioner showing my new design;  
FIG. 2 is a front view thereof;  
FIG. 3 is a rear view thereof;  
FIG. 4 is a plan view thereof;  
FIG. 5 is a bottom view thereof;  
FIG. 6 is a left side view thereof; and,  
FIG. 7 is a right side view thereof.

The broken lines depict portions of the controller for air conditioner that form no part of claimed design.

**1 Claim, 5 Drawing Sheets**

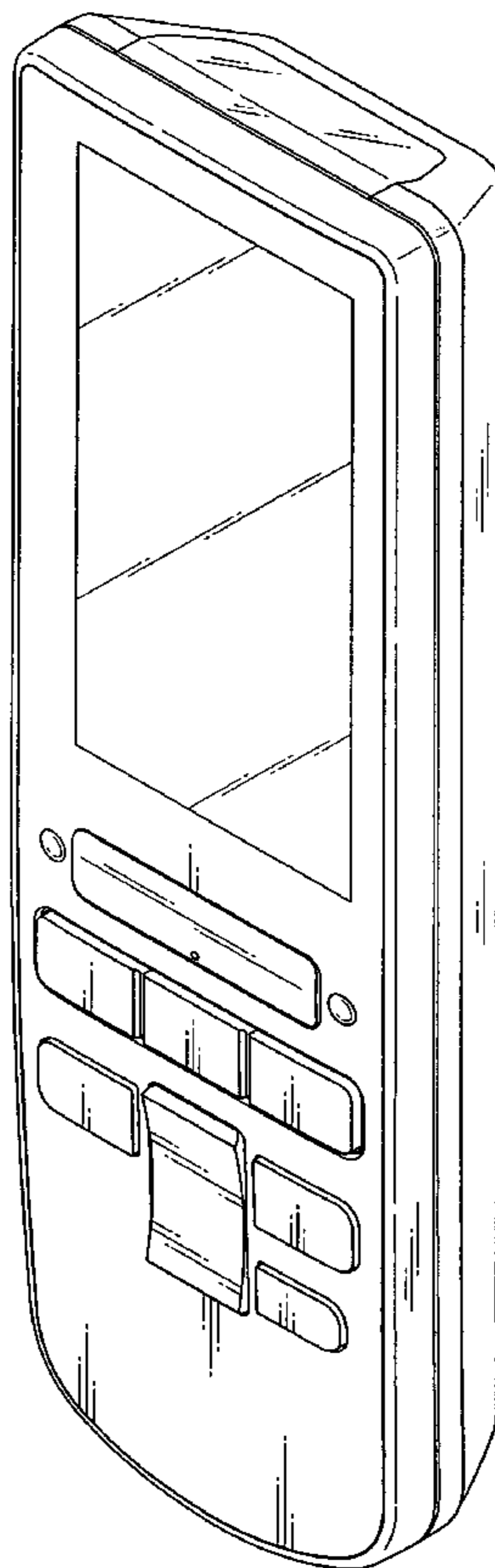


Fig. 1

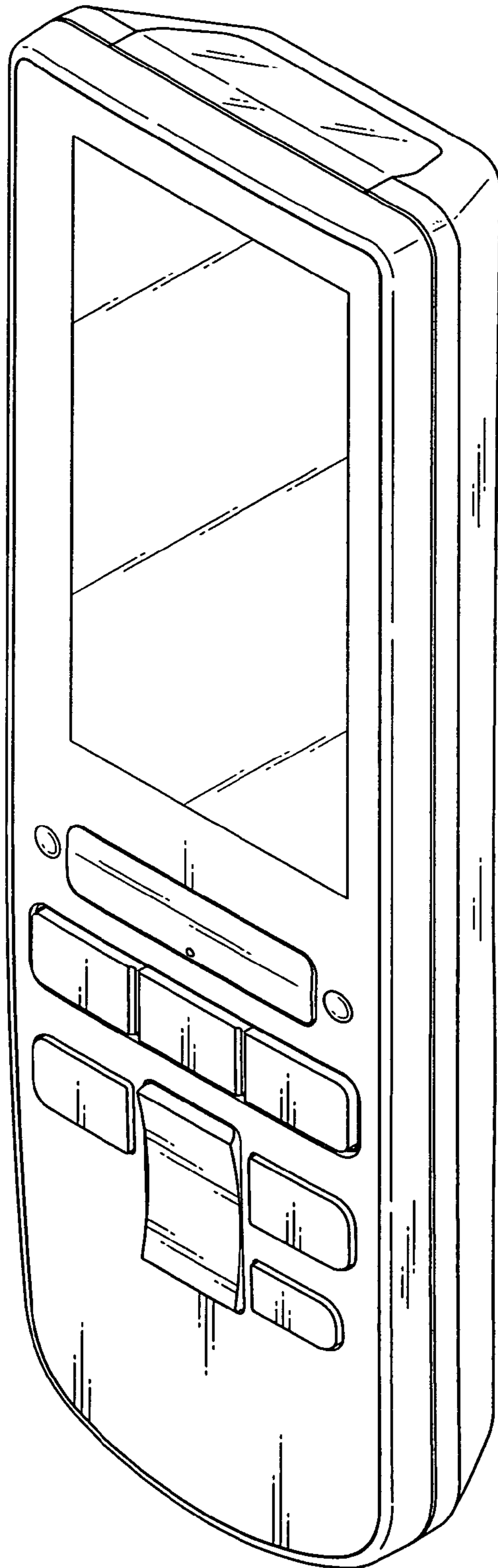


Fig. 2

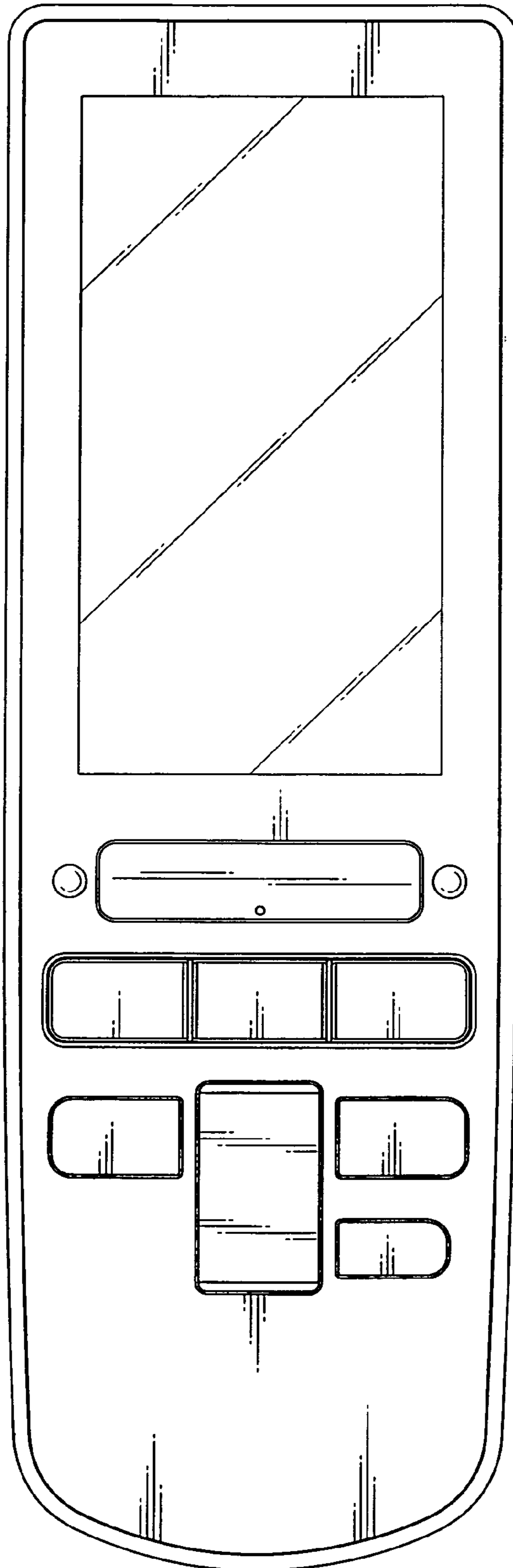


Fig. 3

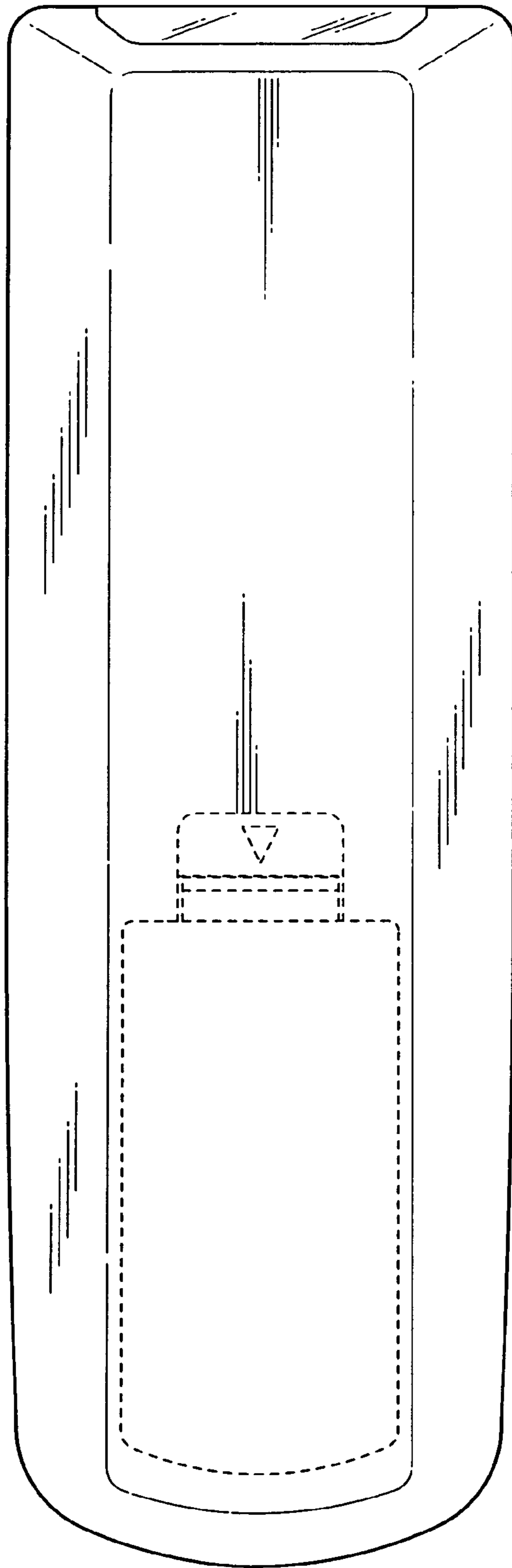


Fig. 4

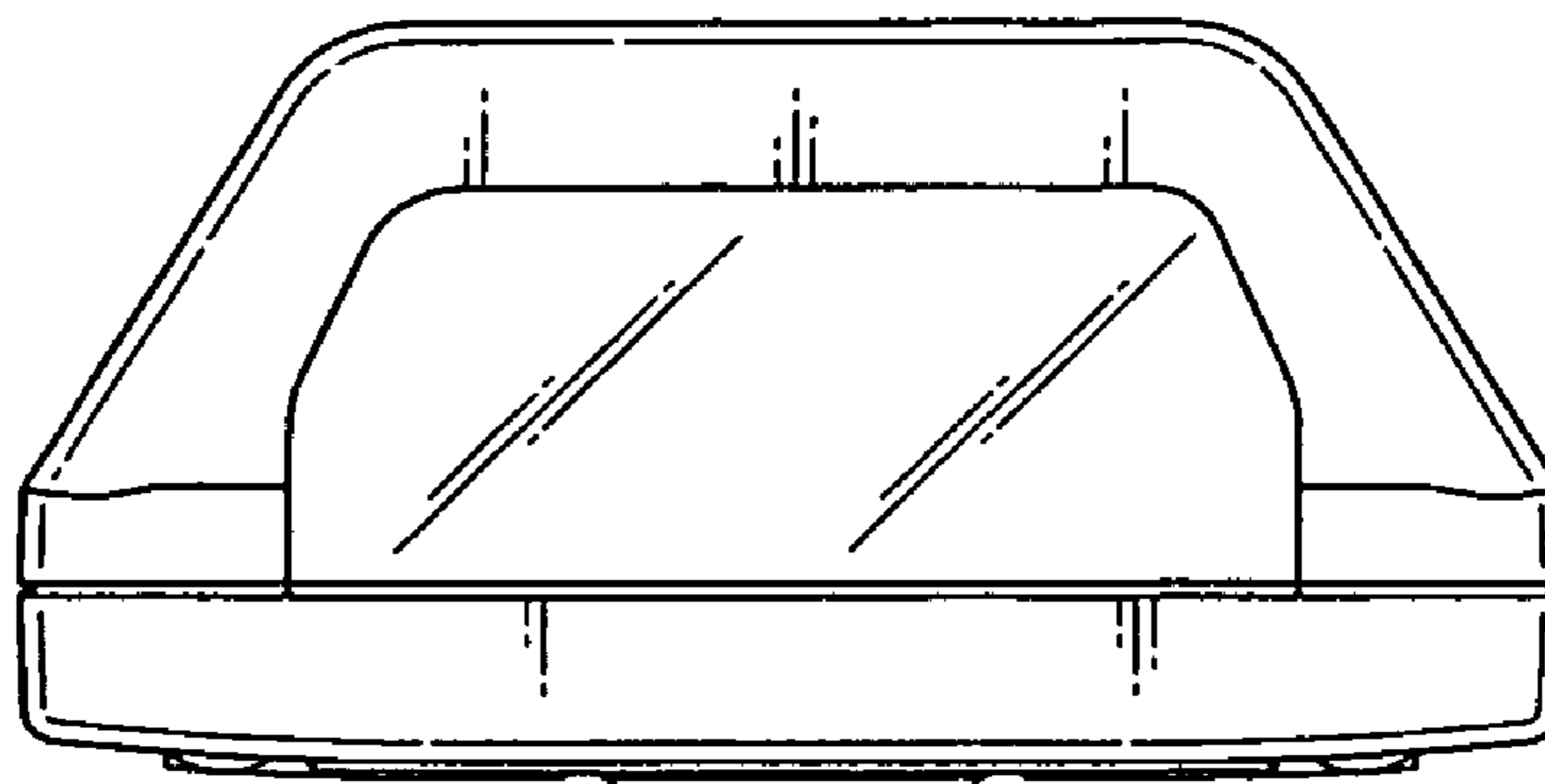


Fig. 5

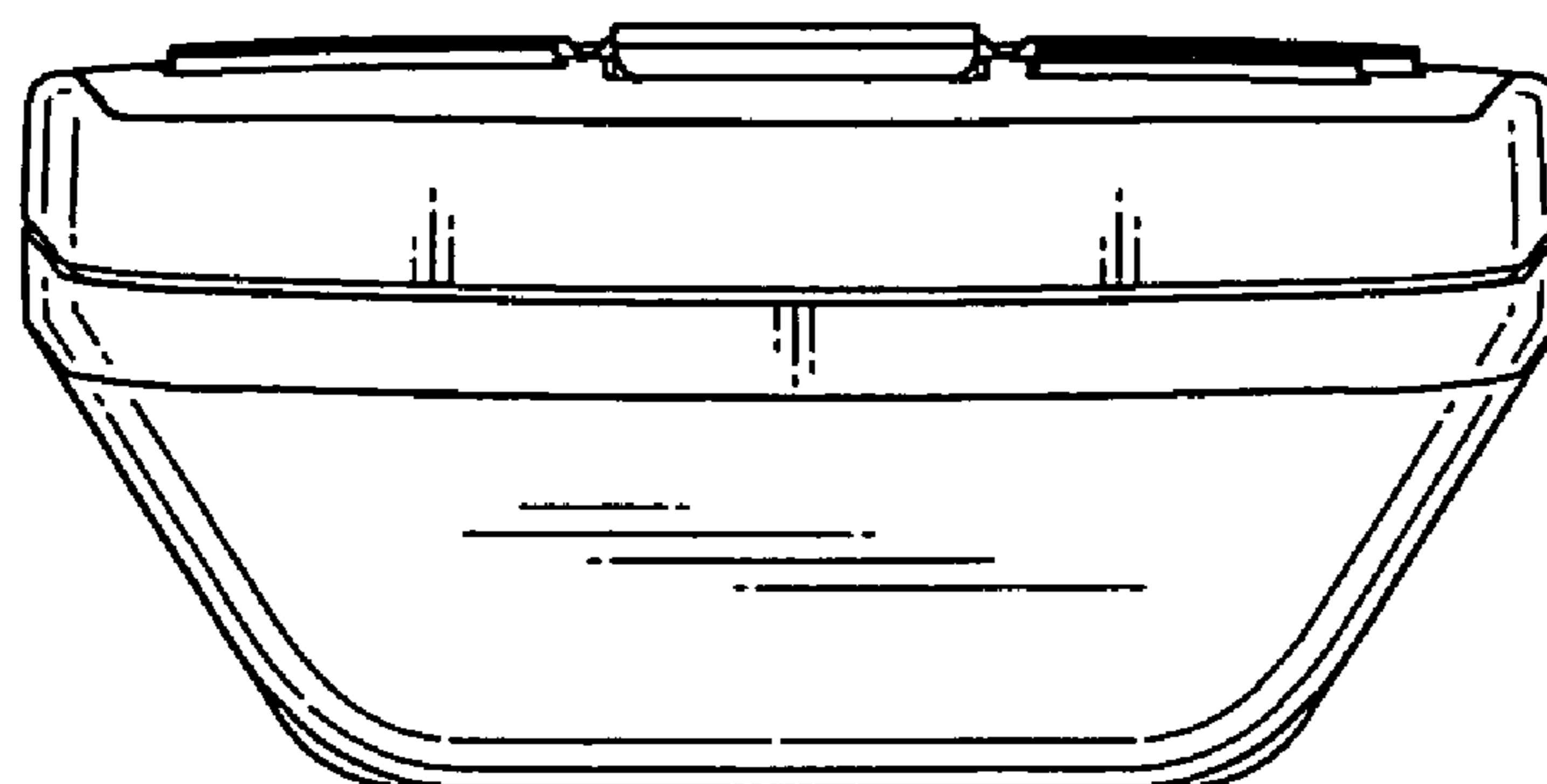


Fig. 6



Fig. 7

