



US00D657751S

(12) **United States Design Patent**  
**Okubo et al.**

(10) **Patent No.:** **US D657,751 S**  
(45) **Date of Patent:** **\*\* Apr. 17, 2012**

(54) **SURGE SUPPRESSION UNIT FOR MAGNETIC CONTACTOR**

(75) Inventors: **Koji Okubo**, Tokyo (JP); **Kouetsu Takaya**, Tokyo (JP); **Yasuhiro Naka**, Tokyo (JP); **Yutaka Nakamura**, Tokyo (JP); **Takashi Tsutsumi**, Tokyo (JP); **Hironobu Ariyoshi**, Tokyo (JP)

(73) Assignee: **Fuji Electric FA Components & Systems Co., Ltd.**, Tokyo (JP)

(\*\*) Term: **14 Years**

(21) Appl. No.: **29/390,744**

(22) Filed: **Apr. 28, 2011**

(30) **Foreign Application Priority Data**

Oct. 29, 2010 (JP) ..... D2010-026011

(51) **LOC (9) Cl.** ..... **13-03**

(52) **U.S. Cl.** ..... **D13/161**

(58) **Field of Classification Search** ..... D13/133, D13/146, 147, 153, 154, 160, 161, 184, 199; 439/606, 638, 668, 669, 701, 740; D3/215, D3/218; D14/188, 226, 251, 256, 496, 217, D14/223

See application file for complete search history.

(56) **References Cited**

**U.S. PATENT DOCUMENTS**

D288,801 S \* 3/1987 Marshall ..... D13/160  
D318,270 S \* 7/1991 Tsuji et al. .... D13/161

D318,855 S \* 8/1991 Tsuji et al. .... D13/161  
D340,914 S \* 11/1993 Krasser ..... D13/160  
D407,692 S \* 4/1999 Lin ..... D13/161  
D409,154 S \* 5/1999 Chudoba et al. .... D13/160  
D558,150 S \* 12/2007 Yang ..... D13/161  
D559,203 S \* 1/2008 Harris et al. .... D13/173  
D575,745 S \* 8/2008 Beckert ..... D13/161  
2006/0017540 A1 \* 1/2006 Smith ..... 337/242

\* cited by examiner

*Primary Examiner* — Thomas Johannes

(74) *Attorney, Agent, or Firm* — Young & Thompson

(57) **CLAIM**

The ornamental design for a surge suppression unit for magnetic contactor, as shown and described.

**DESCRIPTION**

FIG. 1 is a perspective view of front, top plan and right side of a surge suppression unit for magnetic contactor showing our new design;

FIG. 2 is a perspective view of rear, bottom and left side thereof;

FIG. 3 is a front view thereof;

FIG. 4 is a rear view thereof;

FIG. 5 is a left side view thereof;

FIG. 6 is a right side view thereof;

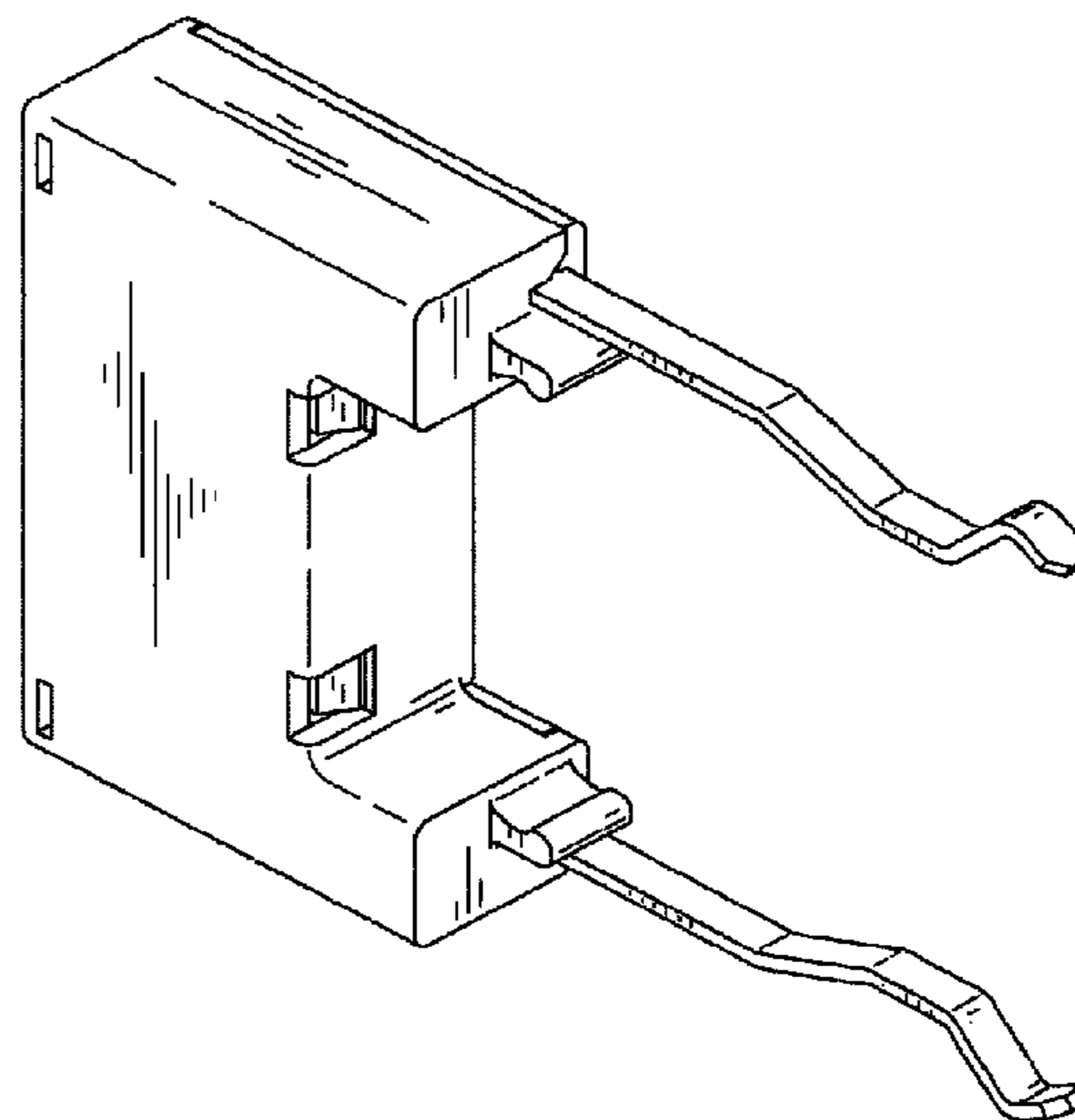
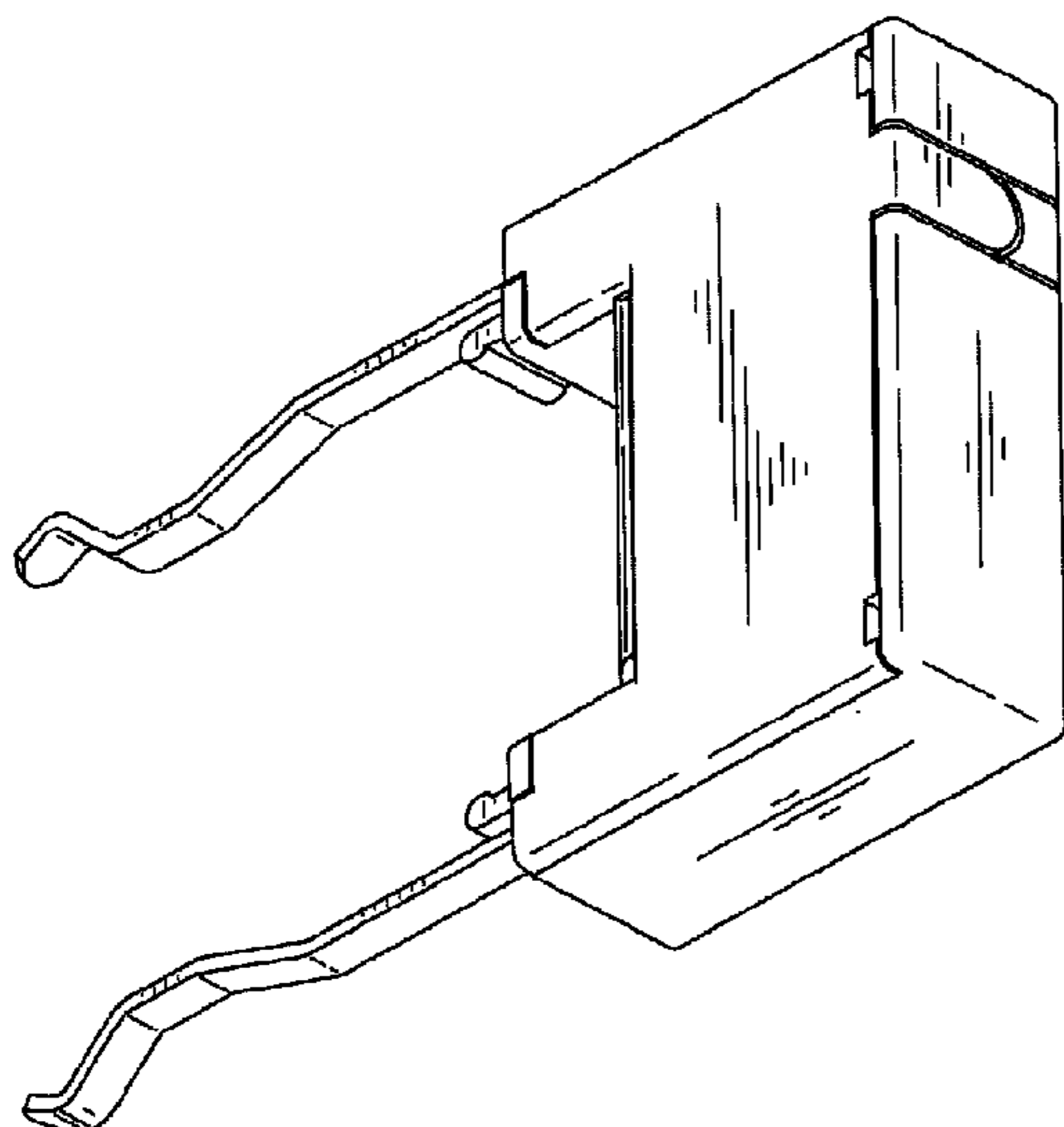
FIG. 7 is a top plan view thereof;

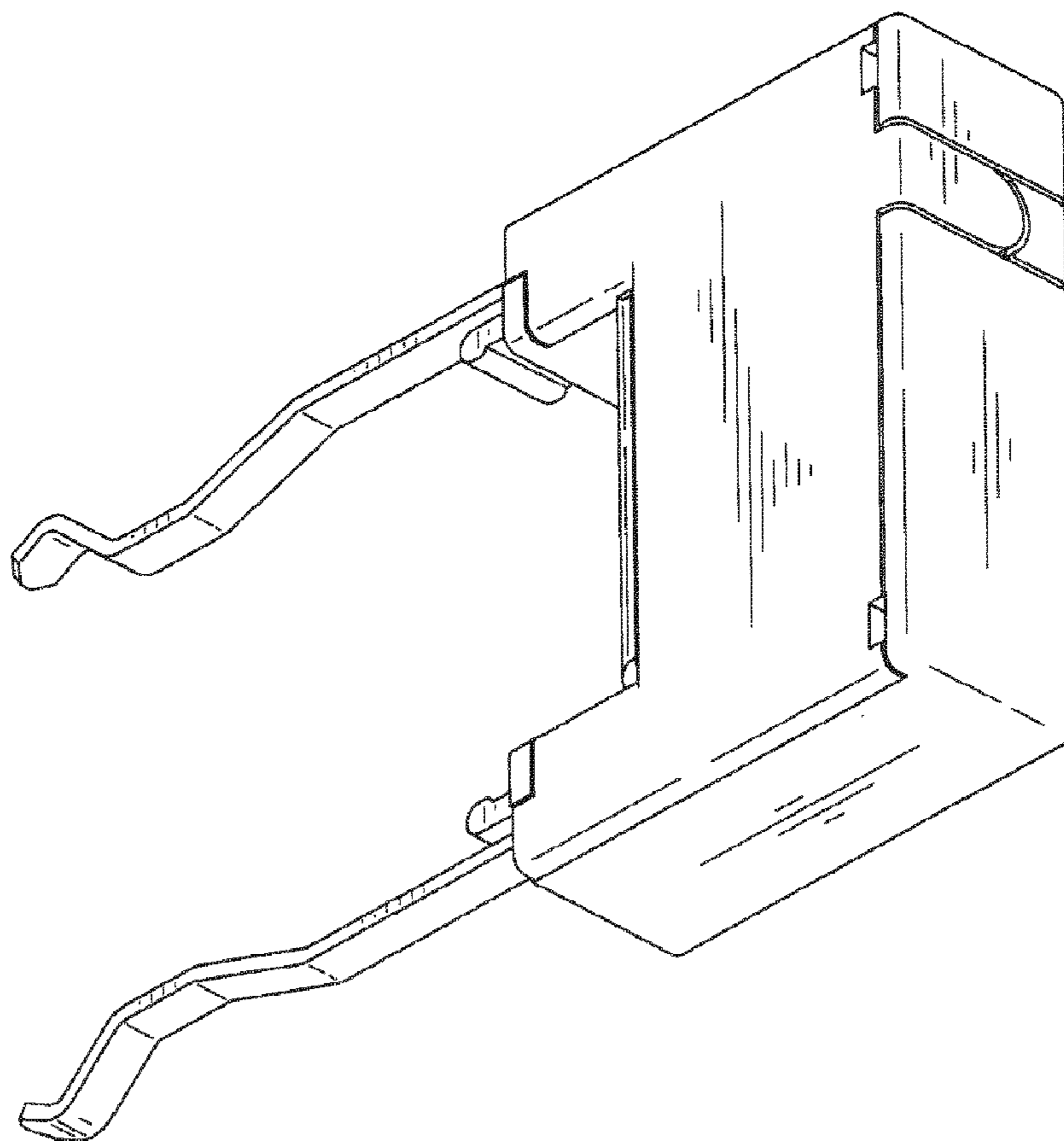
FIG. 8 is a bottom view thereof; and,

FIG. 9 is a reference view of usage thereof.

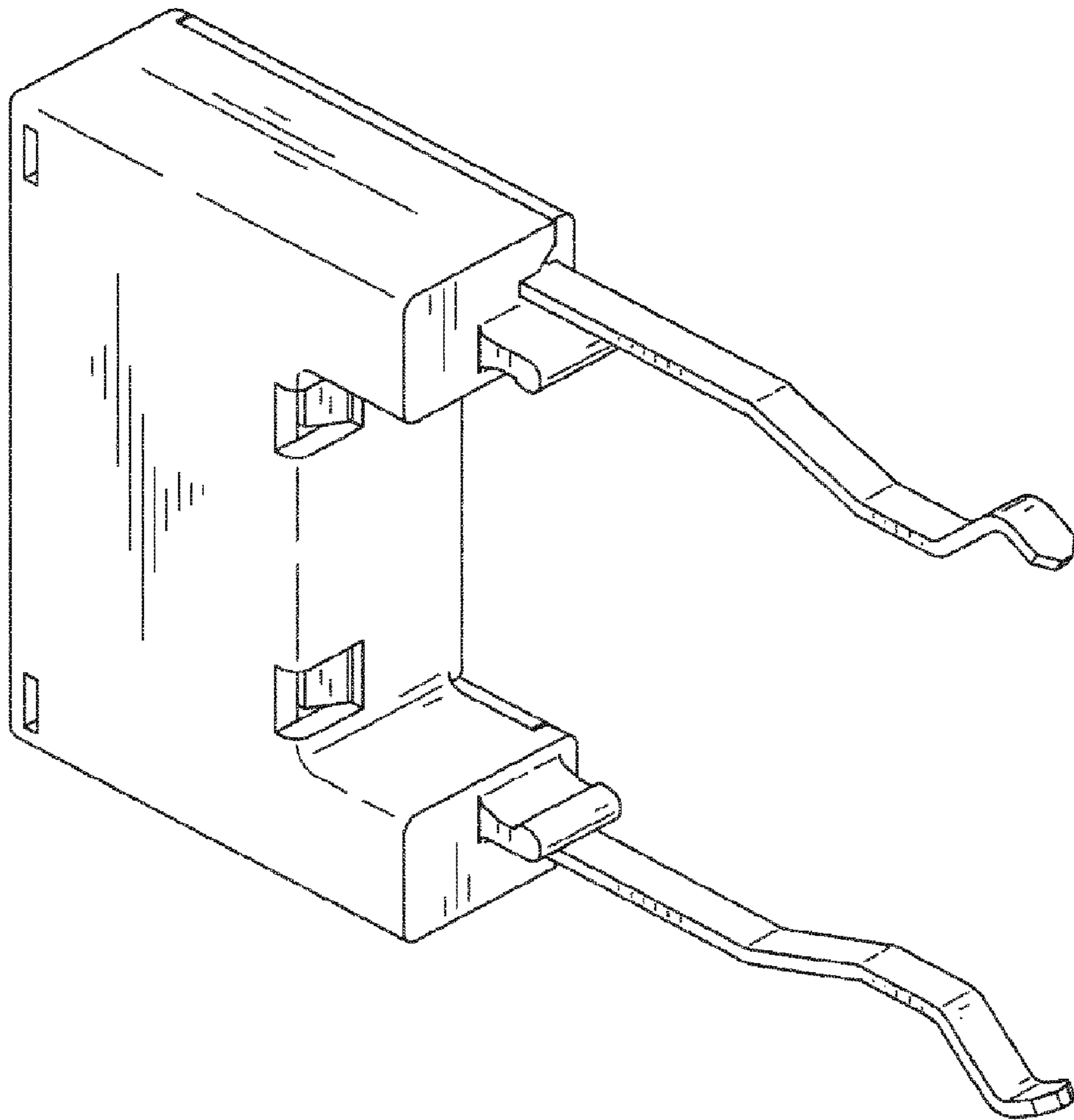
The portions of the article in broken lines show unclaimed subject matter only and form no part of the claimed design.

**1 Claim, 6 Drawing Sheets**

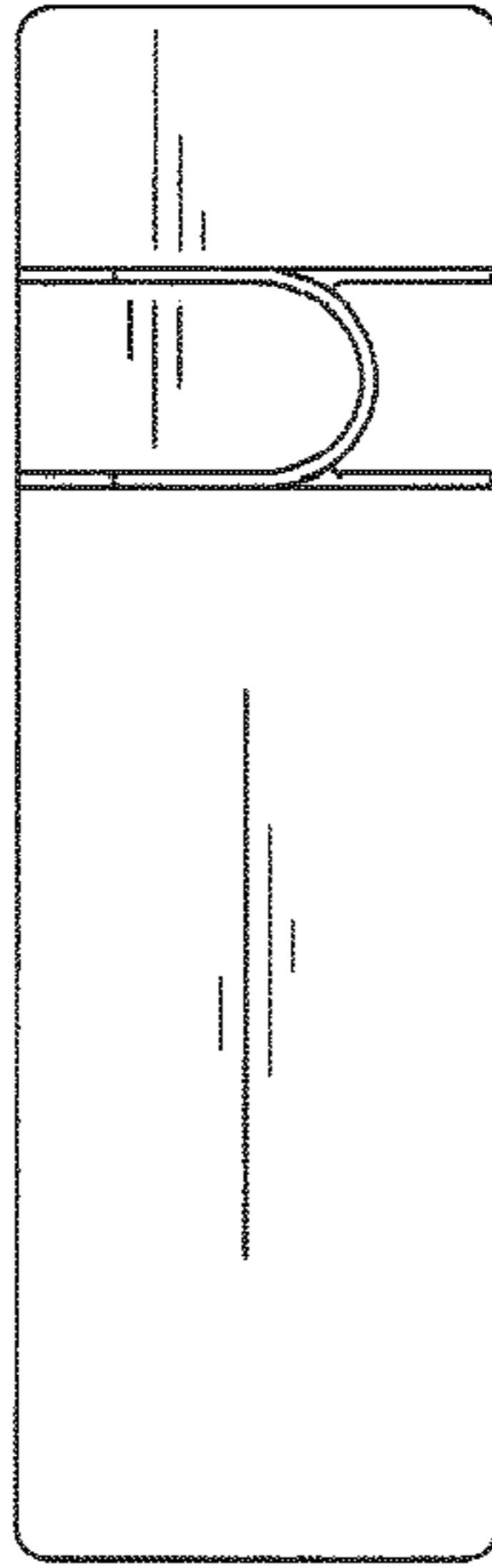




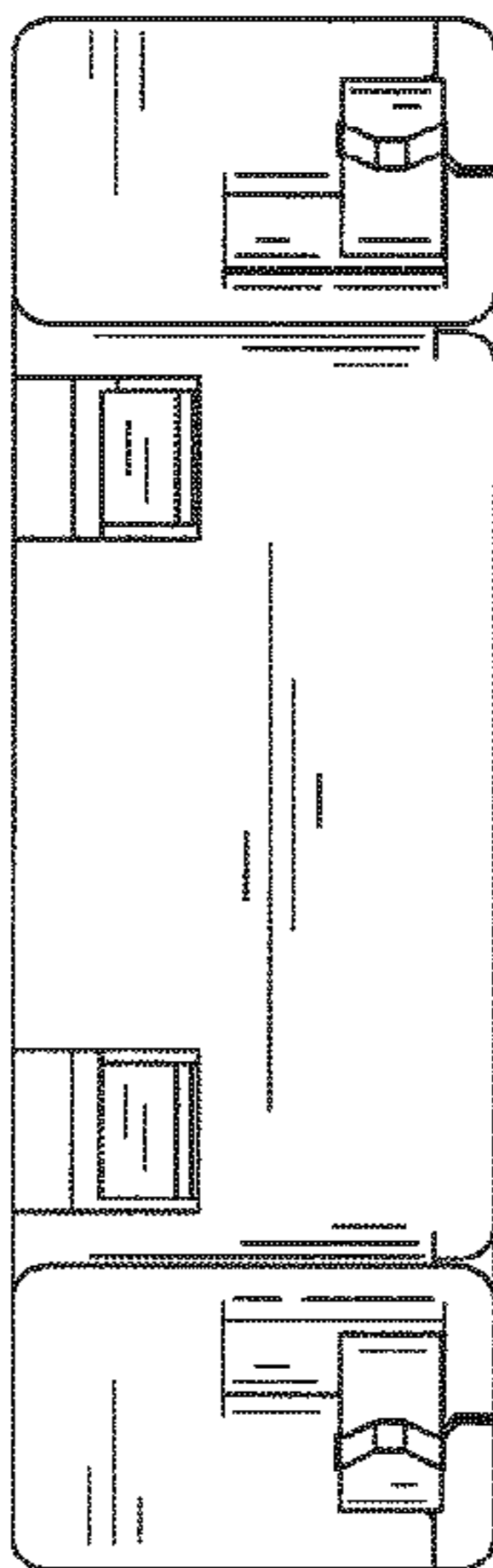
**FIG. 1**



**FIG. 2**



**FIG. 3**



**FIG. 4**

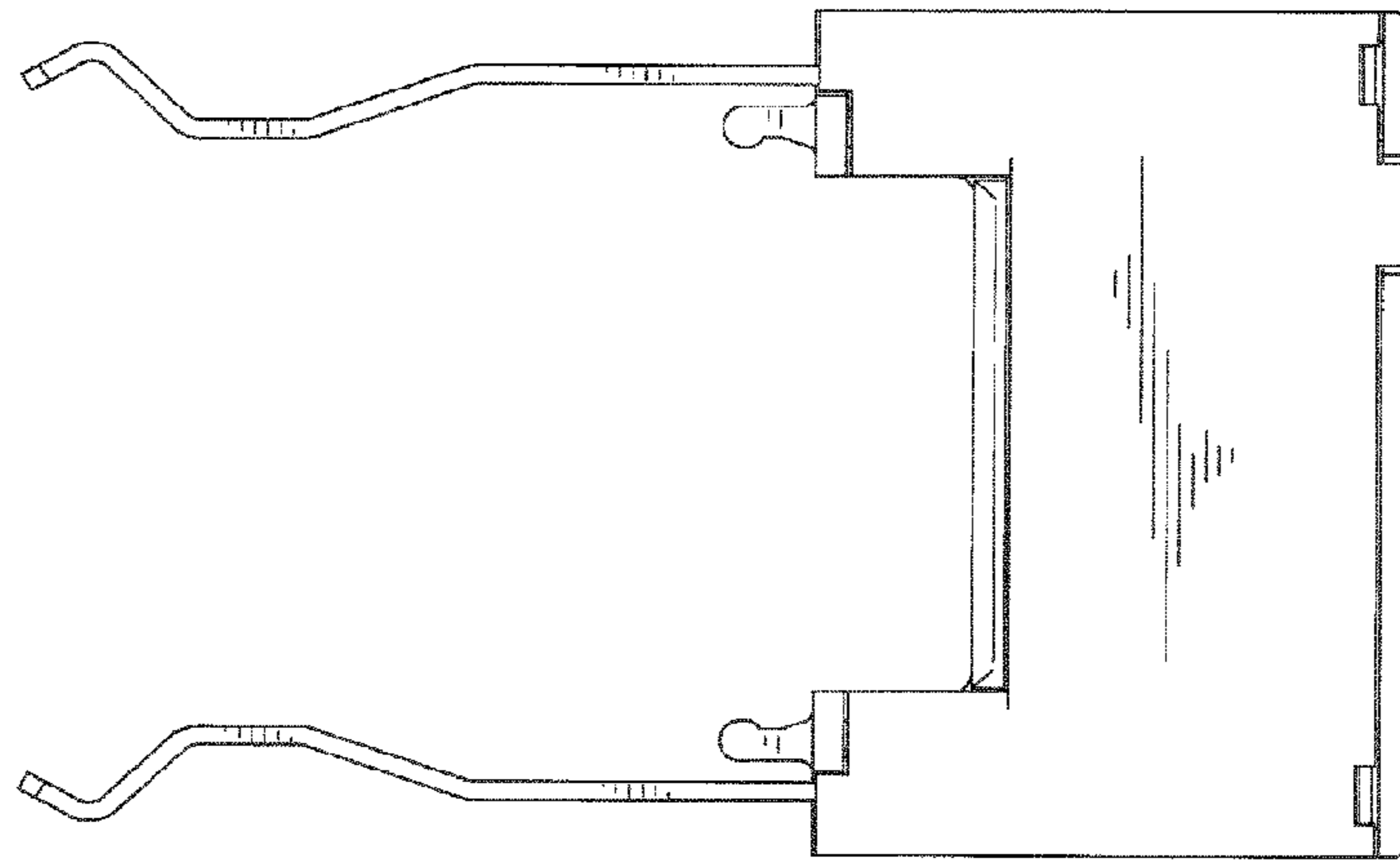


FIG. 5

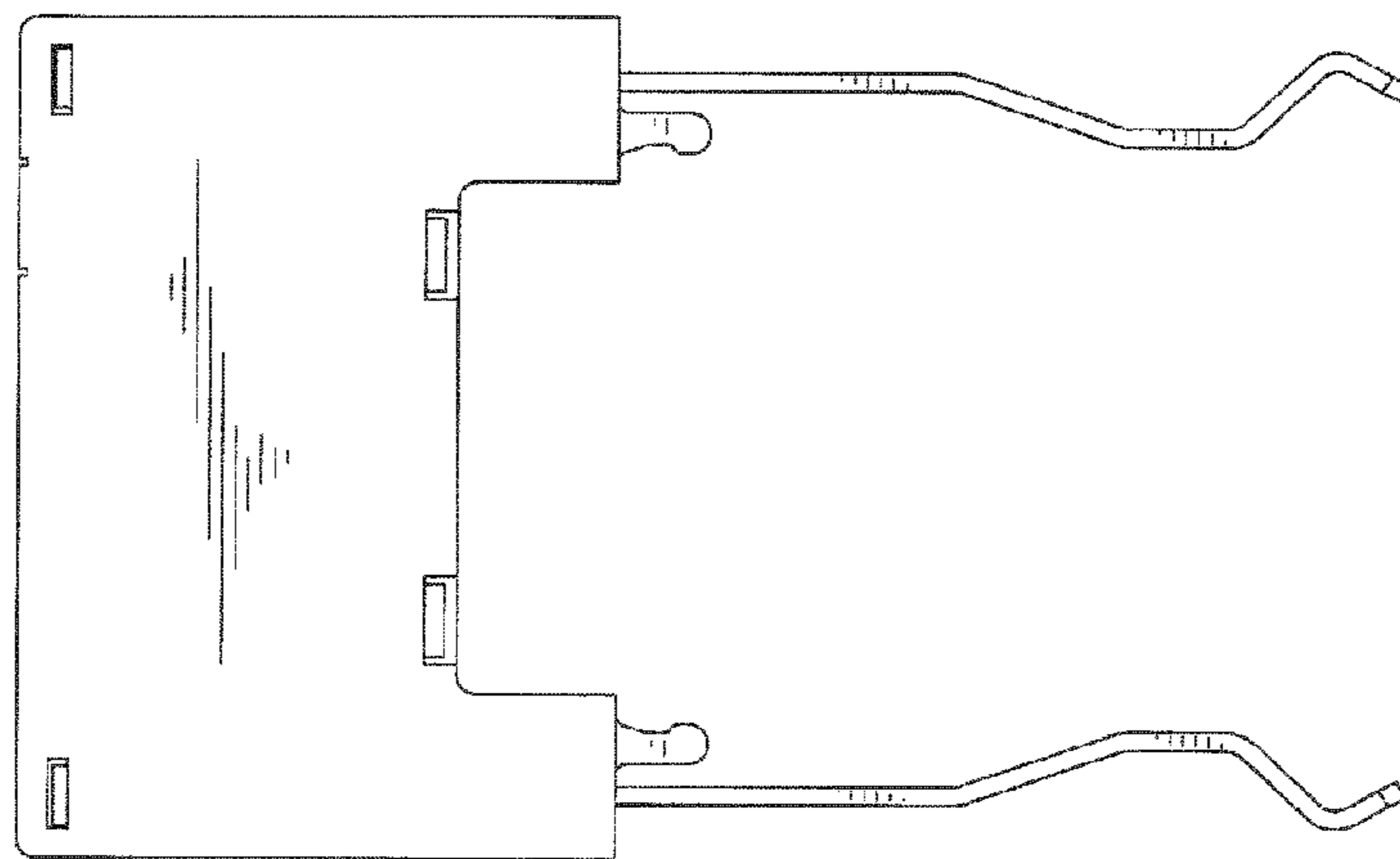
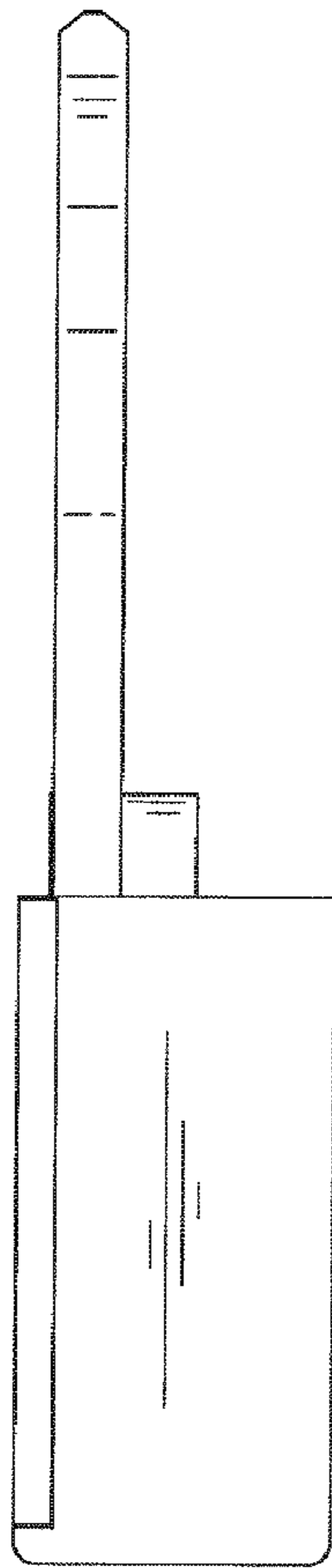
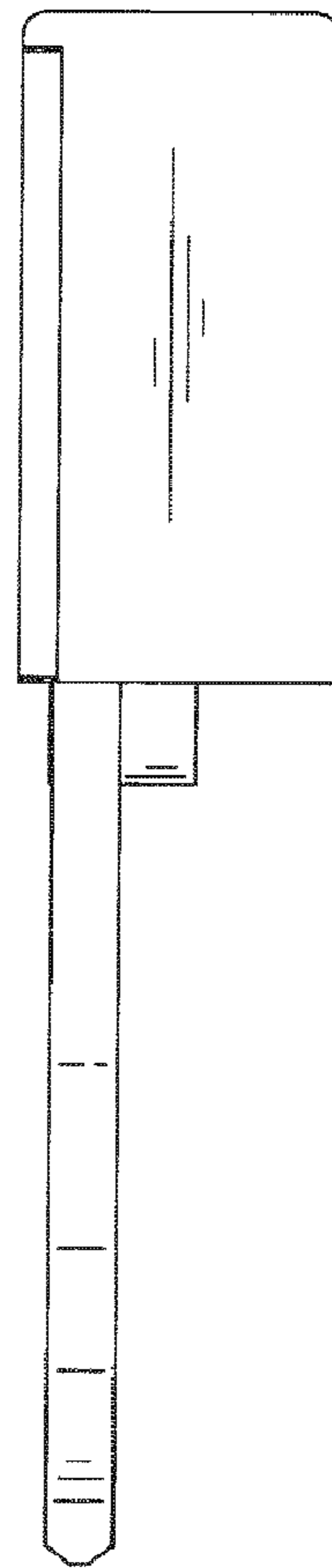


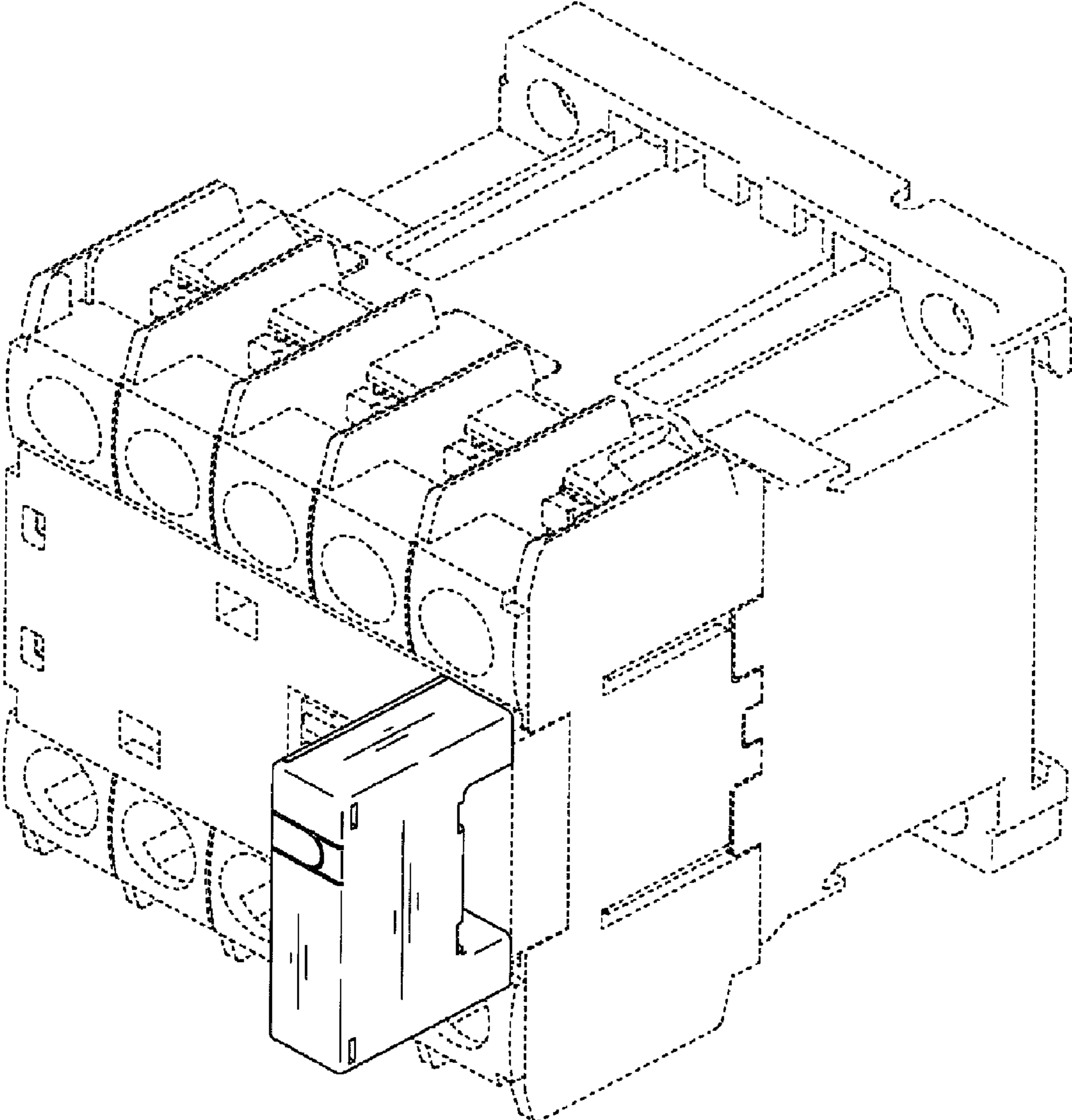
FIG. 6



**FIG. 7**



**FIG. 8**



**FIG. 9**