

US00D657749S

(12) **United States Design Patent**
Suzuki et al.

(10) **Patent No.:** **US D657,749 S**
(45) **Date of Patent:** **** Apr. 17, 2012**

(54) **ELECTROMAGNETIC CONTACTOR**

(56) **References Cited**

(75) Inventors: **Kenji Suzuki**, Tokyo (JP); **Kouetsu Takaya**, Tokyo (JP); **Yuichi Yamamoto**, Tokyo (JP); **Yuji Shiba**, Tokyo (JP); **Yasuhiro Naka**, Tokyo (JP)

U.S. PATENT DOCUMENTS

5,424,900 A * 6/1995 Kiiskinen et al. 361/116
D468,687 S * 1/2003 Hamada et al. D13/113
D621,369 S * 8/2010 Lin D13/159
D640,989 S * 7/2011 Detemple et al. D13/159
D640,991 S * 7/2011 Detemple et al. D13/159
D642,131 S * 7/2011 Detemple et al. D13/159
2002/0192990 A1 * 12/2002 Alexandre 439/135
* cited by examiner

(73) Assignee: **Fuji Electric FA Components & Systems Co., Ltd.**, Tokyo (JP)

(**) Term: **14 Years**

Primary Examiner — Thomas Johannes
(74) *Attorney, Agent, or Firm* — Young & Thompson

(21) Appl. No.: **29/387,360**

(57) **CLAIM**
The ornamental design for an electromagnetic contactor, as shown and described.

(22) Filed: **Mar. 11, 2011**

DESCRIPTION

(30) **Foreign Application Priority Data**

Dec. 17, 2010 (JP) D2010-030251

FIG. 1 is a perspective view of front, top and right side of an electromagnetic contactor showing our new design;
FIG. 2 is a perspective view of rear, bottom and left side thereof;
FIG. 3 is a front view thereof;
FIG. 4 is a rear view thereof;
FIG. 5 is a top plan view thereof;
FIG. 6 is a bottom view thereof;
FIG. 7 is a left side view thereof; and,
FIG. 8 is a right side view thereof.

(51) **LOC (9) Cl.** **13-03**

(52) **U.S. Cl.** **D13/159**

(58) **Field of Classification Search** D13/158,
D13/159, 160, 162, 184, 199; 200/43.14,
200/50.01, 50.21–50.23; 361/42, 44, 50,
361/71, 115, 608, 634

See application file for complete search history.

1 Claim, 5 Drawing Sheets

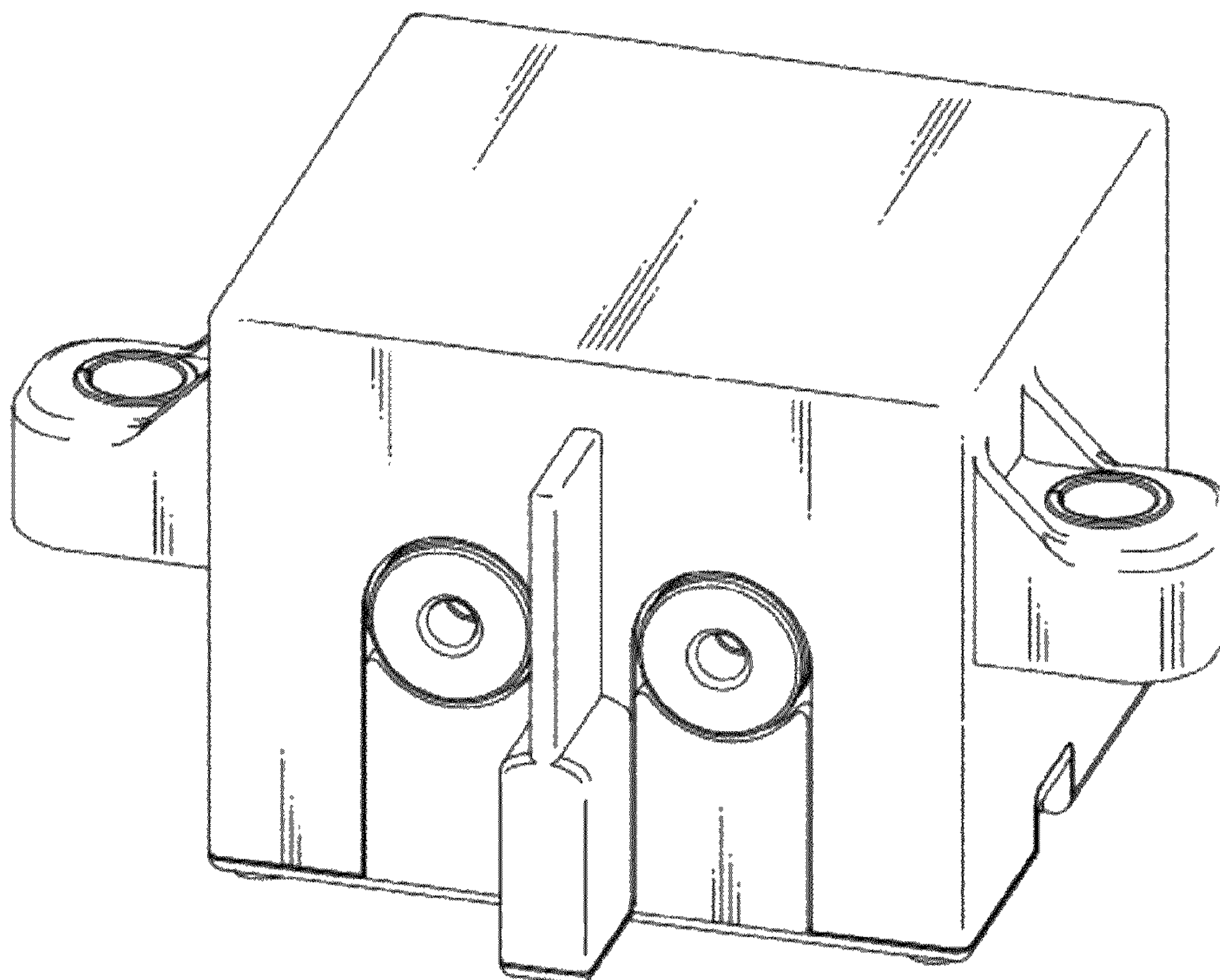


Fig. 1

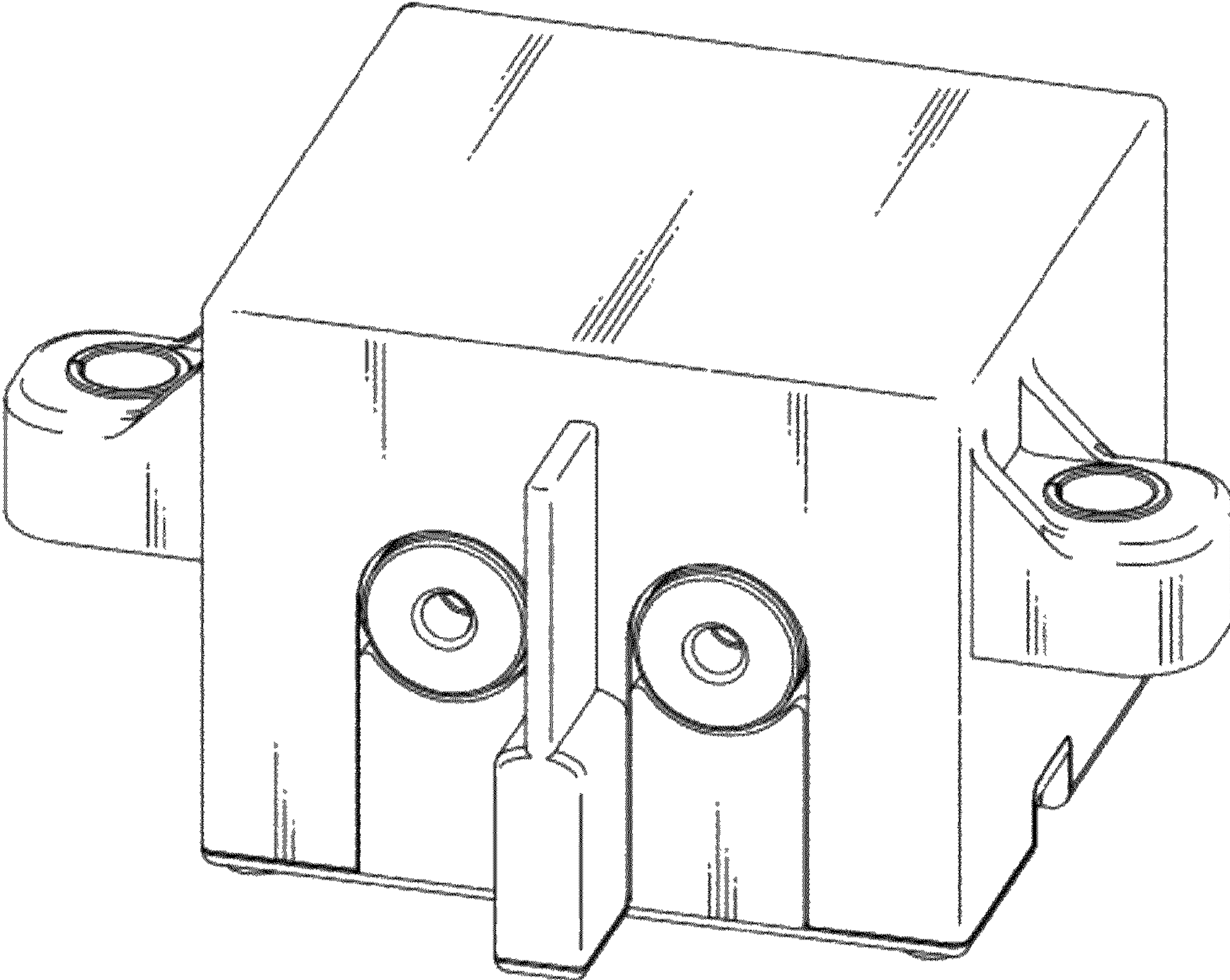


Fig. 2

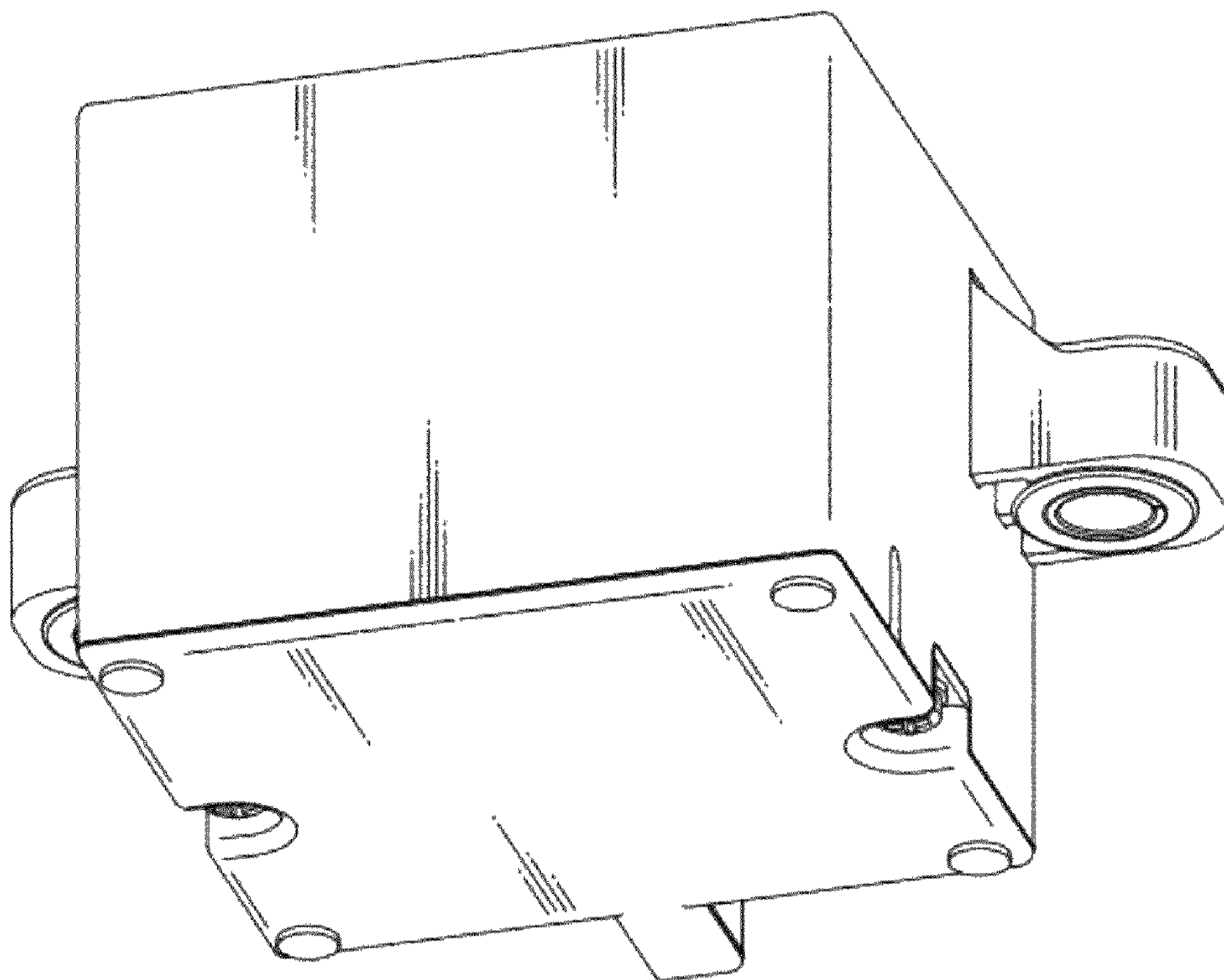


Fig. 3

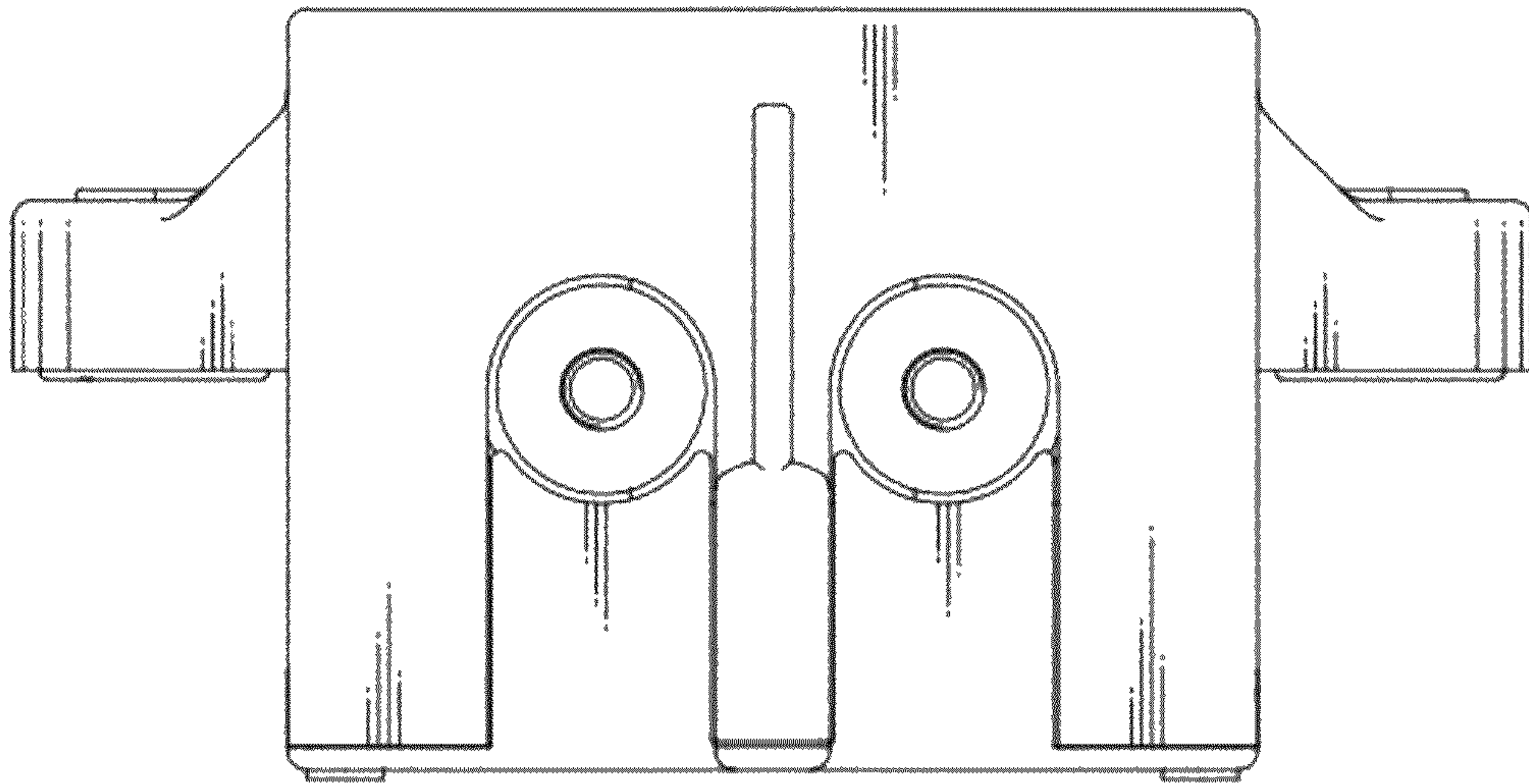


Fig. 4

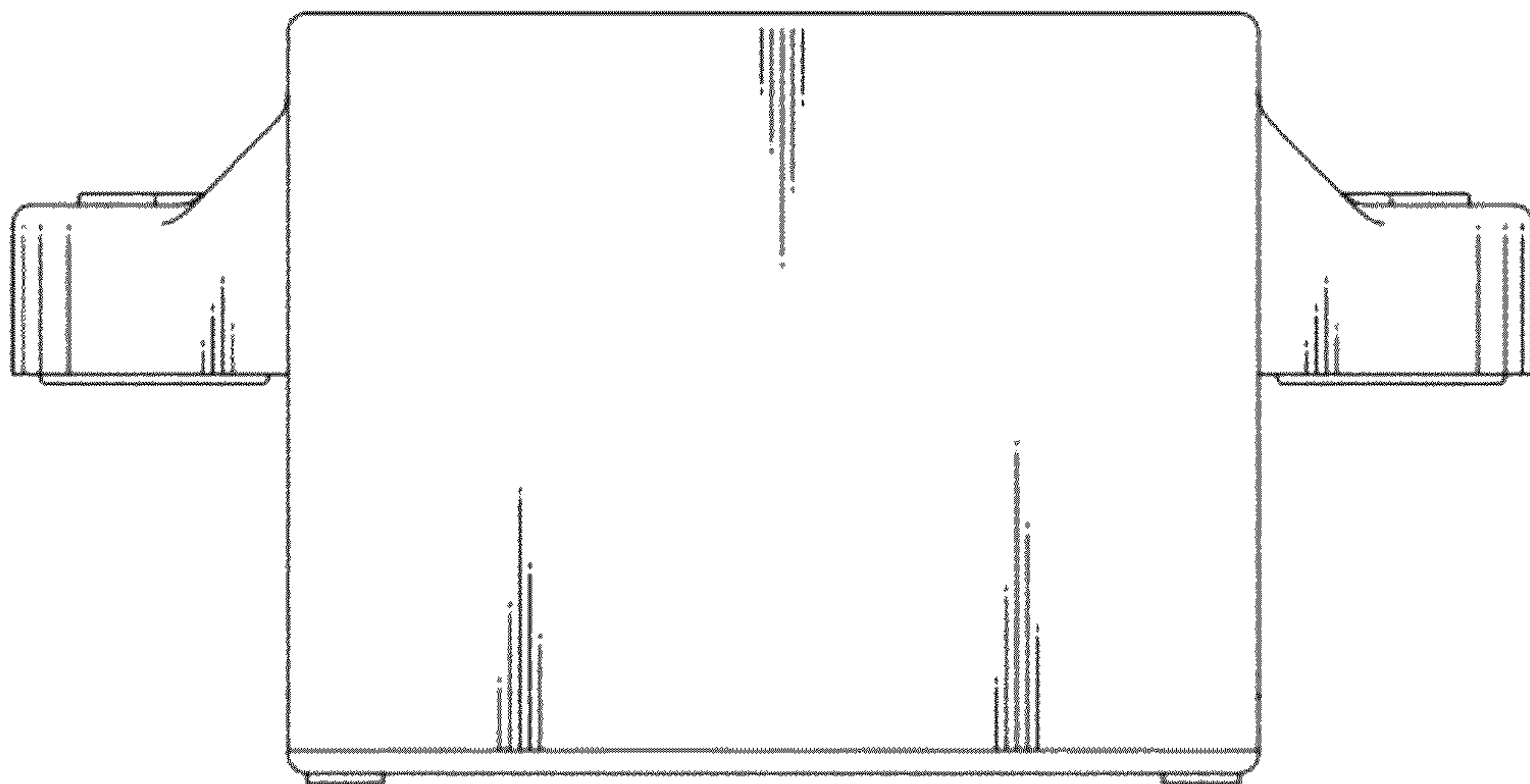


Fig. 5

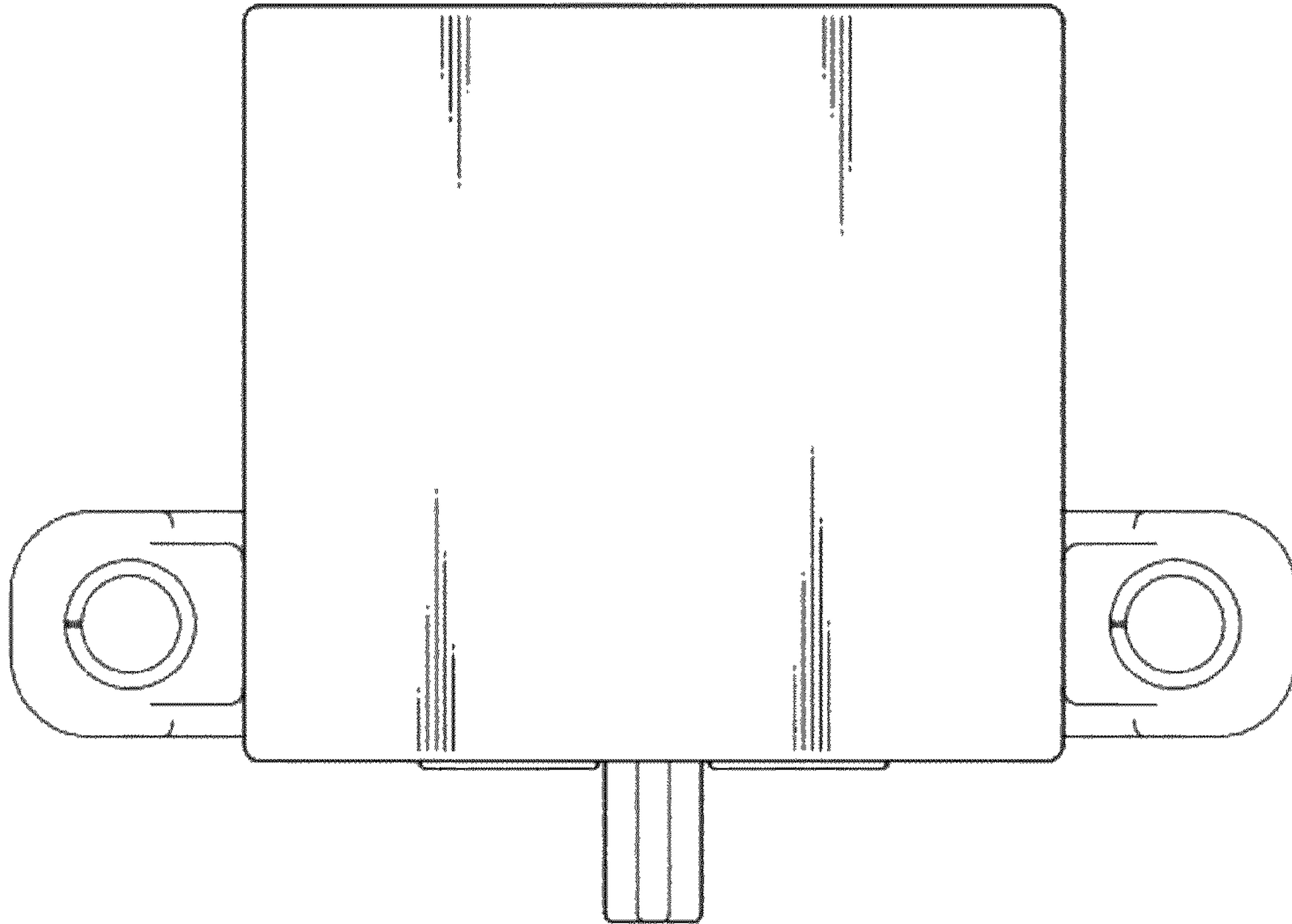


Fig. 6

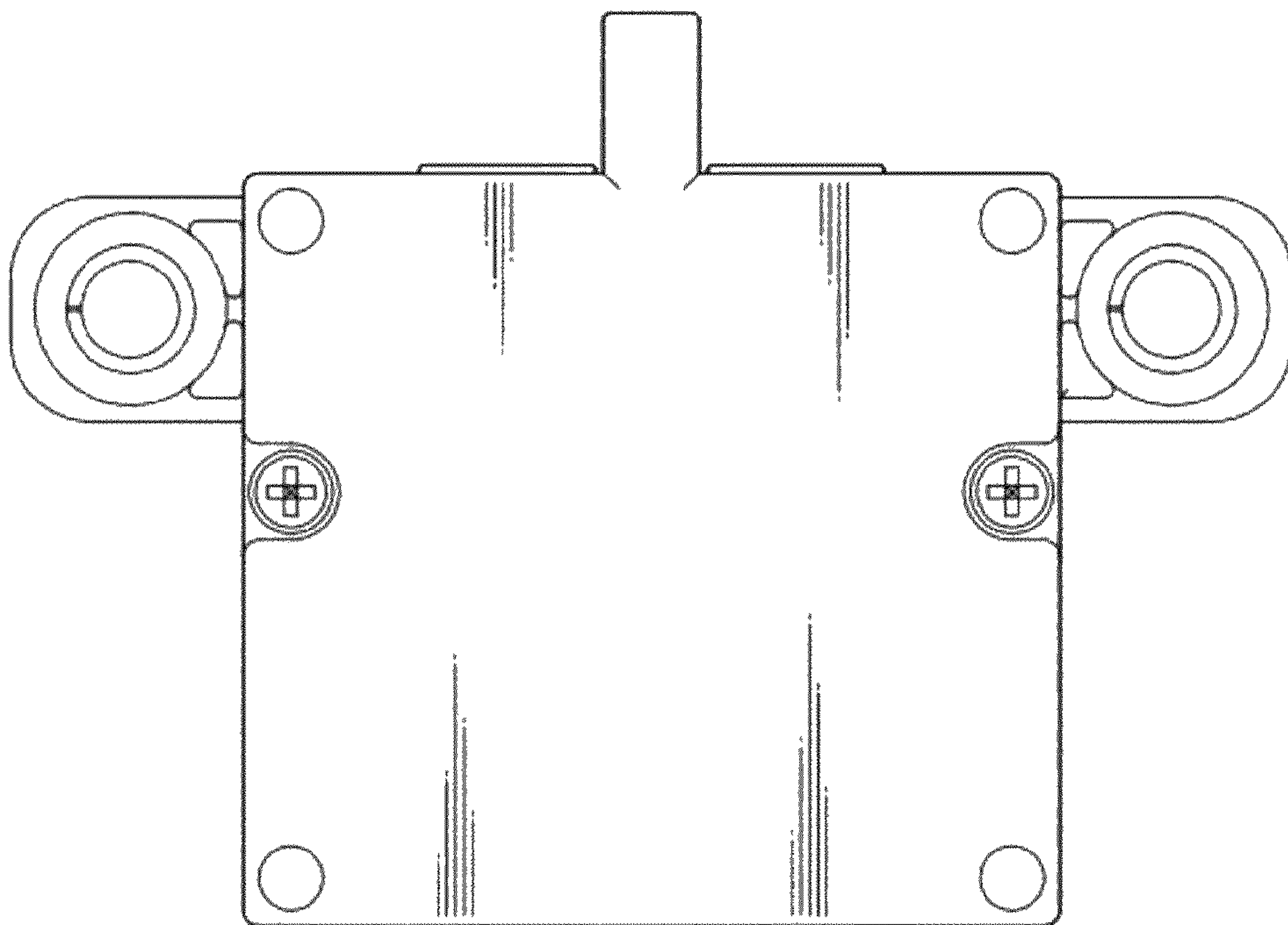


Fig. 7

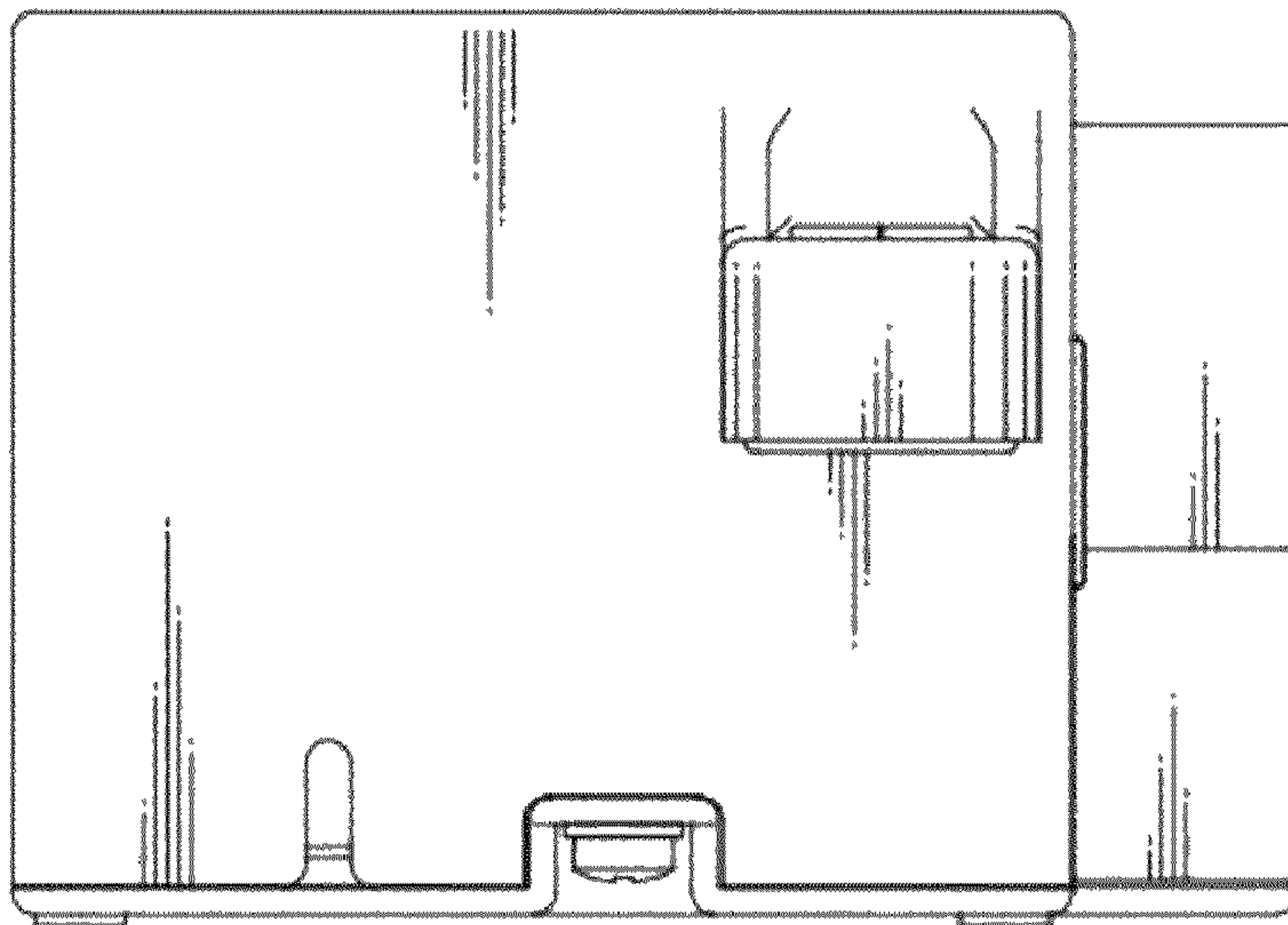


Fig. 8

