



US00D657748S

(12) **United States Design Patent**
Hargreaves et al.

(10) **Patent No.:** **US D657,748 S**
(45) **Date of Patent:** **** Apr. 17, 2012**

- (54) **ELECTRONIC CONTROLLER BOX**
- (75) Inventors: **Craig Hargreaves**, Vancouver, WA (US); **Martin Carskadon**, Vancouver, WA (US)
- (73) Assignee: **IP Holdings LLC**, Vancouver, WA (US)
- (**) Term: **14 Years**
- (21) Appl. No.: **29/372,953**
- (22) Filed: **Feb. 11, 2011**
- (51) **LOC (9) Cl.** **13-03**
- (52) **U.S. Cl.** **D13/156**
- (58) **Field of Classification Search** D13/156, D13/110, 118, 133, 152, 154, 155, 184, 199; D14/240, 432; 174/48, 50, 53, 54, 58, 66, 174/67, 481, 488; 220/3.2, 3.3, 3.5, 3.8, 220/4.02, 4.28; 336/65, 67, 90, 92; 361/600, 361/601, 603; 439/535, 536
See application file for complete search history.

D383,438	S	*	9/1997	Gerber et al.	D13/118
D384,336	S	*	9/1997	Gerber et al.	D13/184
5,773,760	A	*	6/1998	Stark et al.	174/66
D414,460	S	*	9/1999	Hughes	D13/110
D416,232	S	*	11/1999	Einck	D13/152
D433,995	S	*	11/2000	Romano	D13/110
6,300,564	B1		10/2001	Moraes et al.		
6,549,405	B2		4/2003	Wharton et al.		
6,723,922	B1	*	4/2004	Shotey et al.	174/66
7,054,442	B2		5/2006	Weikle		
D531,961	S	*	11/2006	Greenfield	D13/156
7,294,017	B2		11/2007	Scott		
D573,105	S	*	7/2008	Richey	D13/156
D601,098	S	*	9/2009	Phelps	D13/156

* cited by examiner

Primary Examiner — Derrick Holland
(74) *Attorney, Agent, or Firm* — Robert J. Ireland

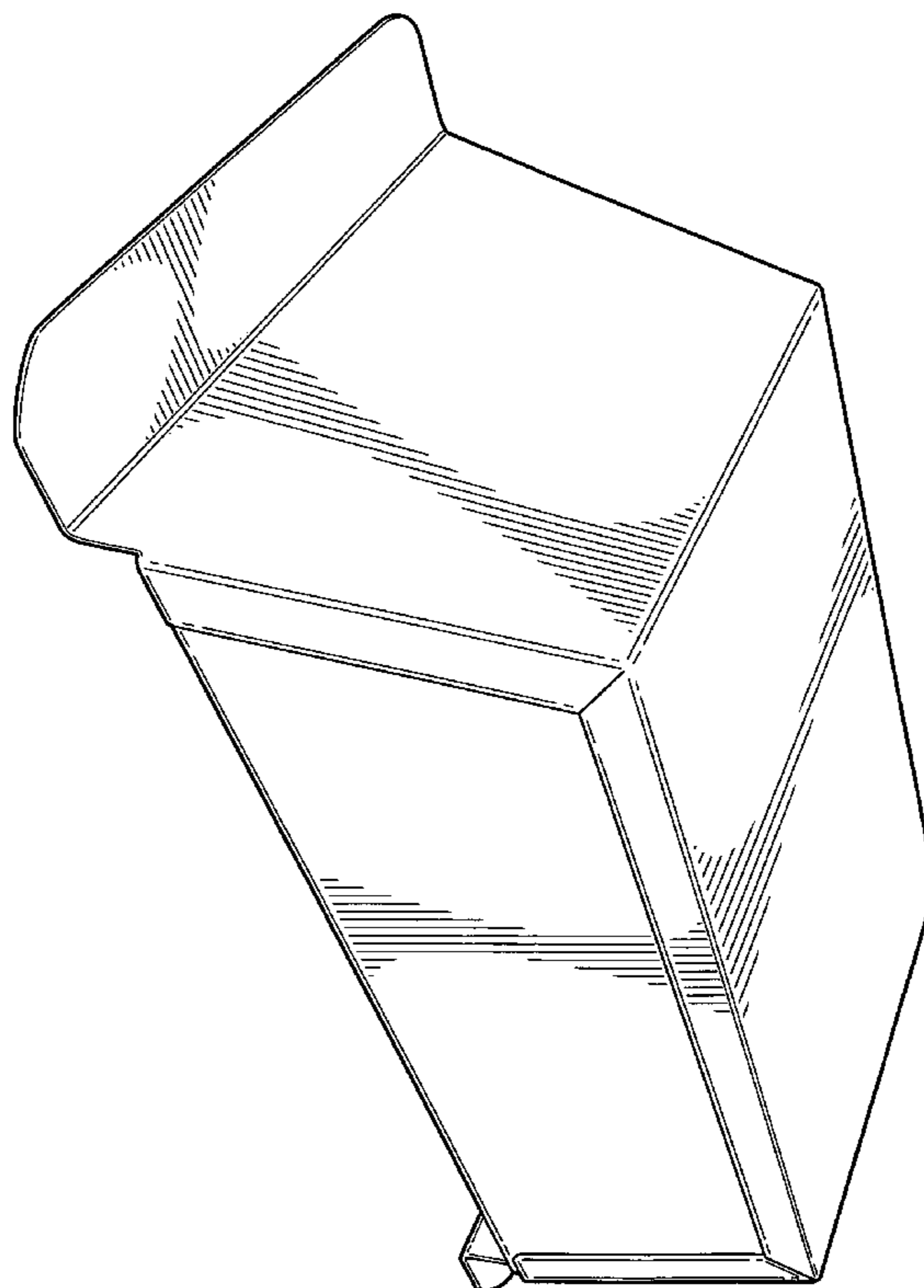
(57) **CLAIM**
The ornamental design for an electronic controller box, as shown and described.

DESCRIPTION

FIG. 1 is a left side perspective view of an electronic controller box showing our new design;
FIG. 2 is a top plan view thereof;
FIG. 3 is a bottom plan view thereof;
FIG. 4 is a right side view thereof;
FIG. 5 is a left side view thereof;
FIG. 6 is a front elevation view thereof; and,
FIG. 7 is a back elevation view thereof.

1 Claim, 5 Drawing Sheets

- (56) **References Cited**
- U.S. PATENT DOCUMENTS
- 3,491,327 A * 1/1970 Goldwater, Jr. et al. 439/135
- D254,846 S * 4/1980 Wood D13/110
- D306,430 S * 3/1990 McNutt et al. D13/156
- 5,098,046 A 3/1992 Webb
- D332,942 S * 2/1993 Julien D13/184
- D342,235 S * 12/1993 Shotey D13/156
- D350,532 S * 9/1994 Phelps D13/184



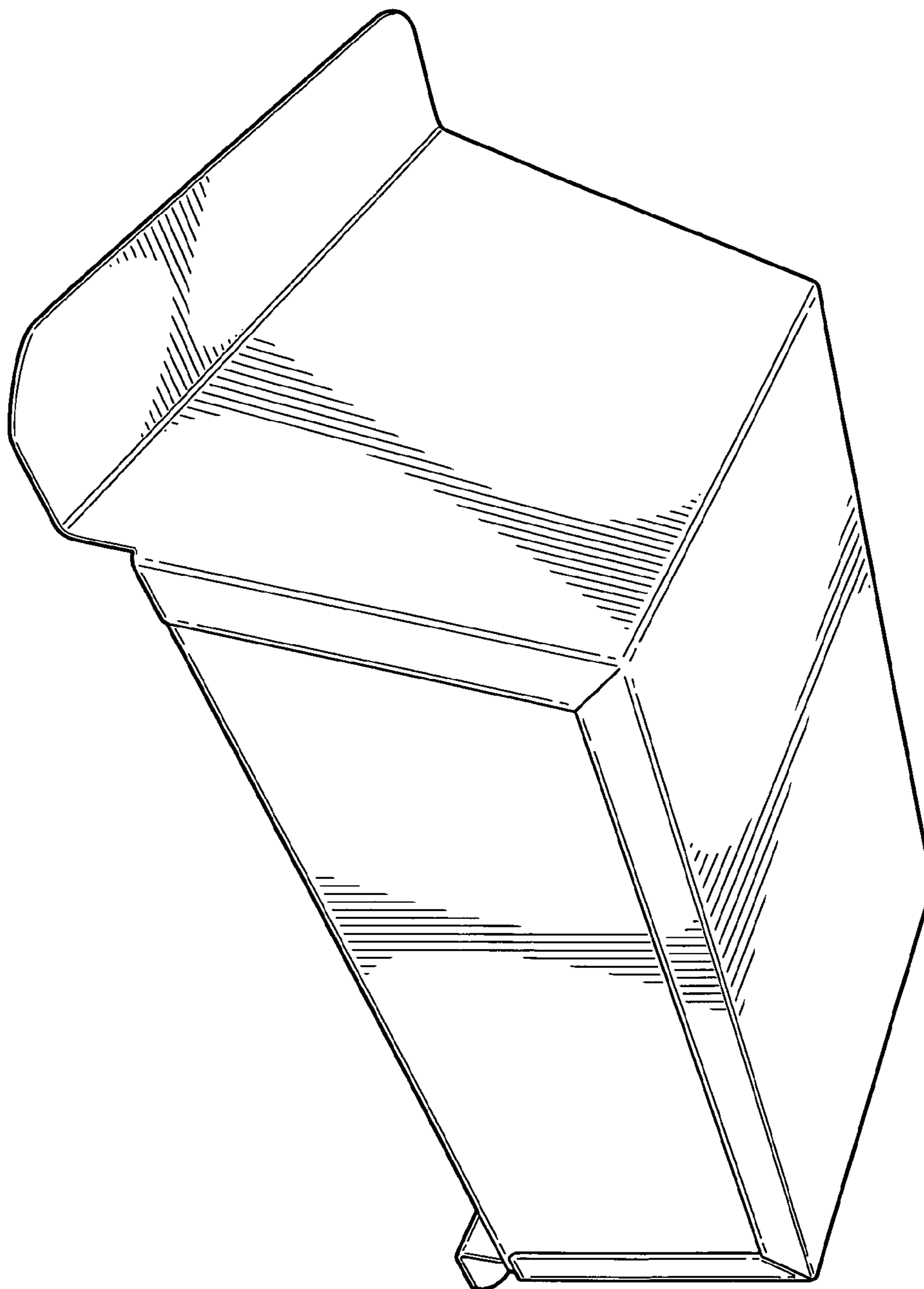


FIG. 1

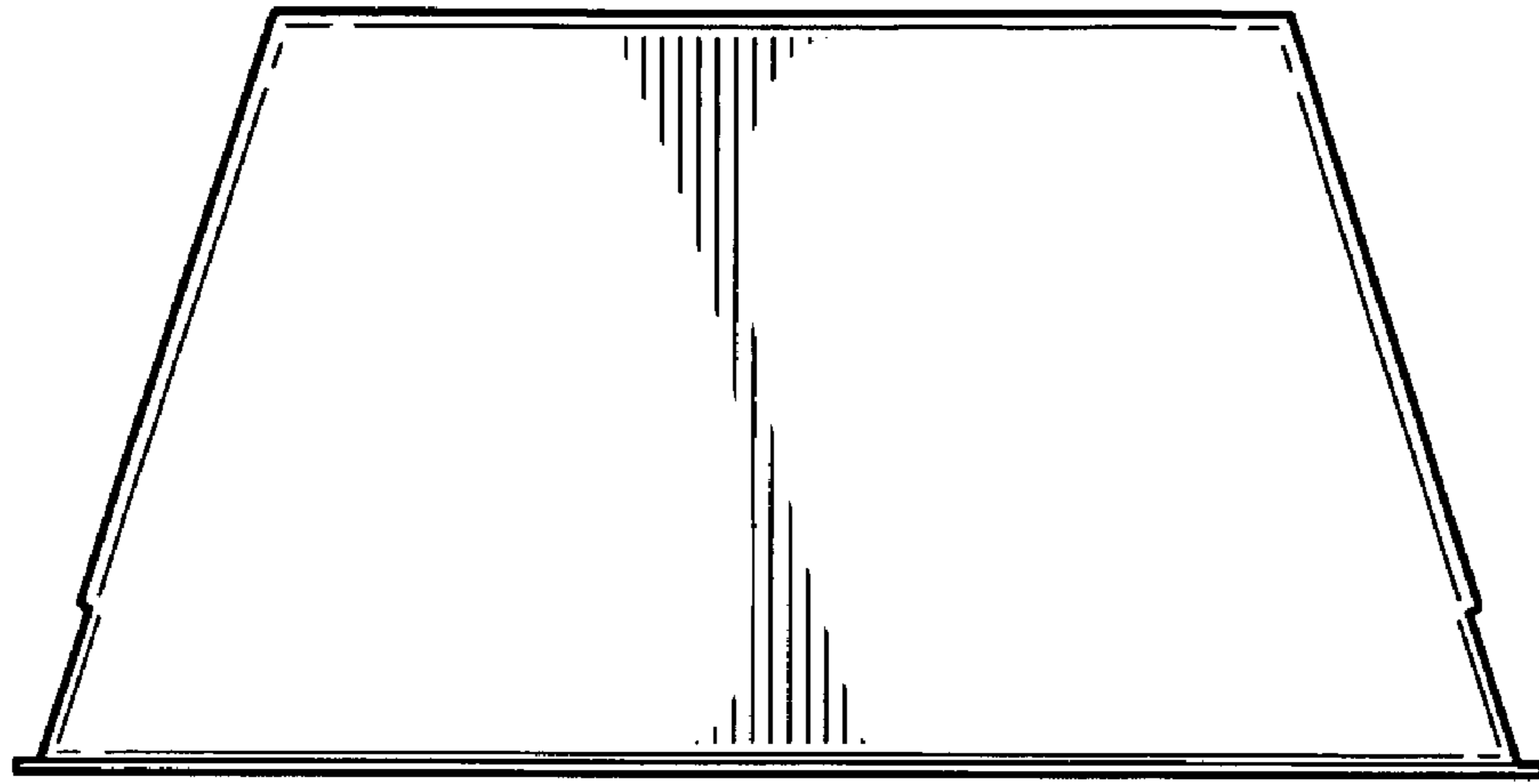


FIG. 2

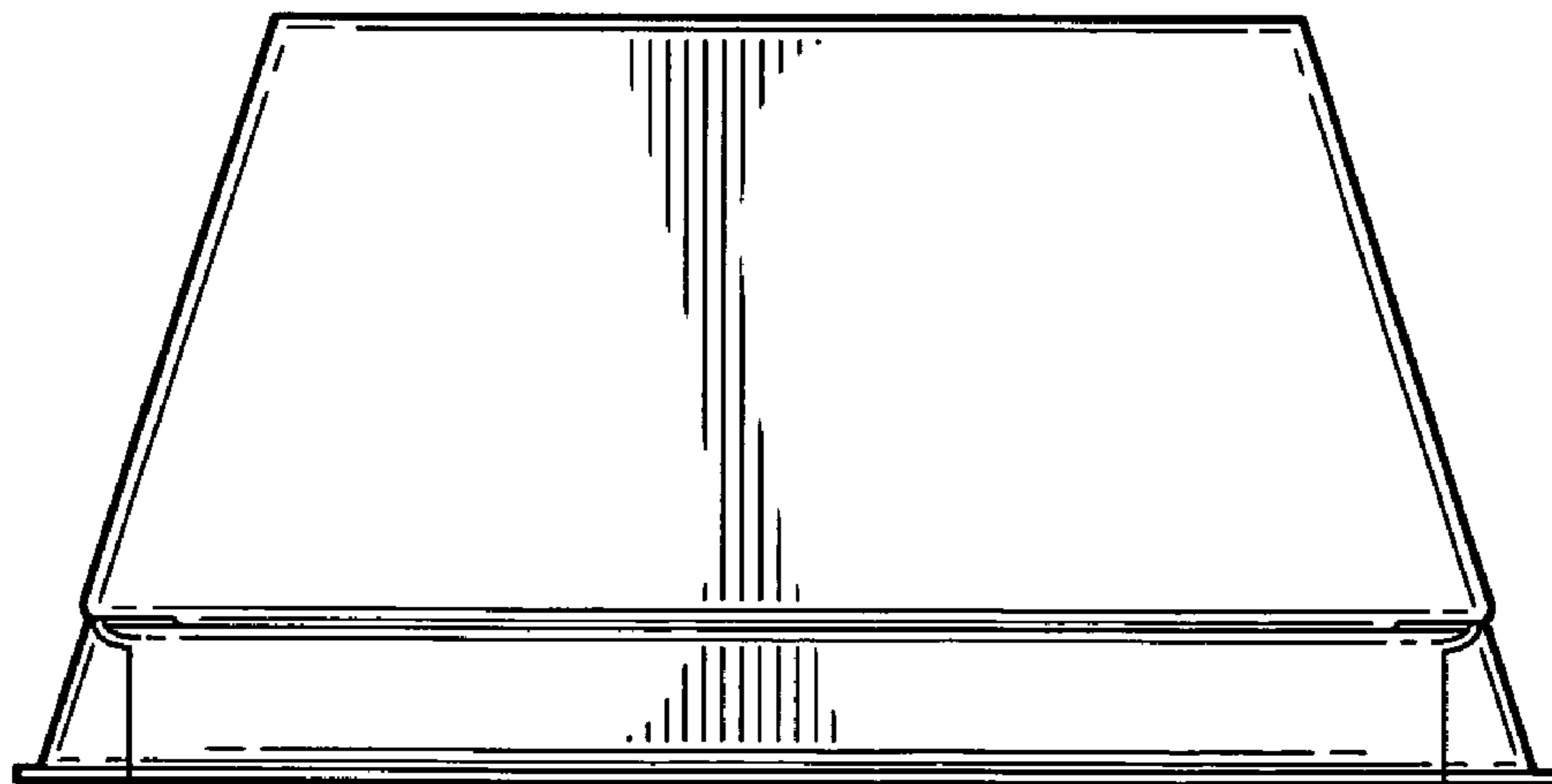


FIG. 3

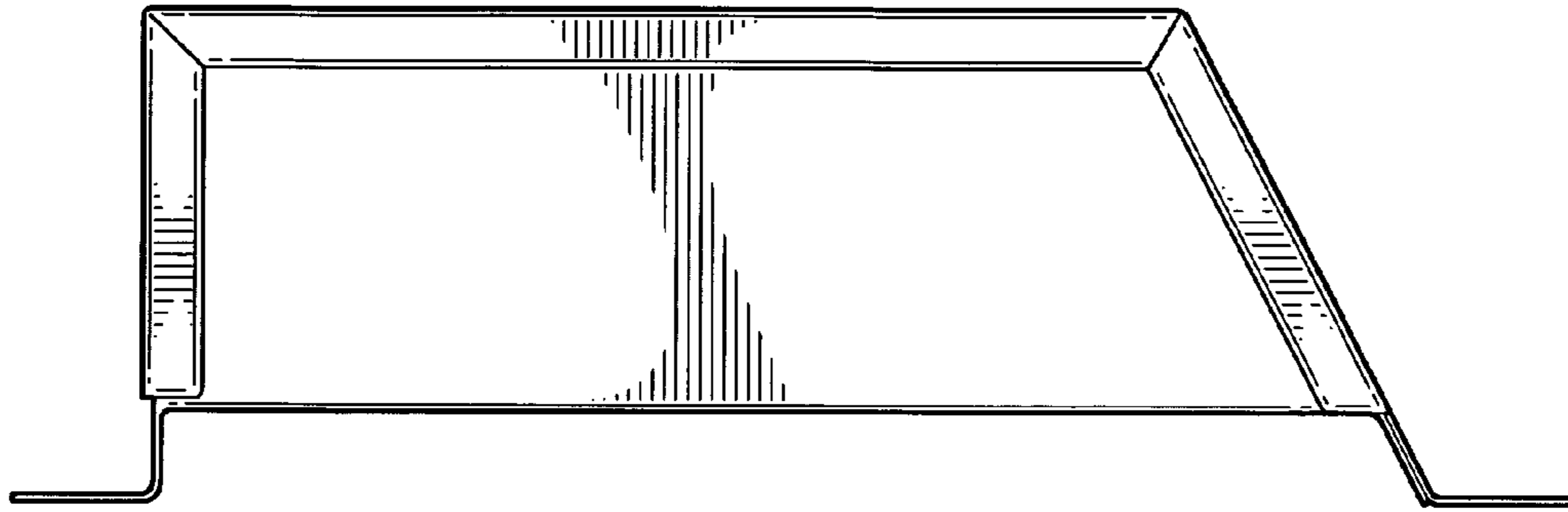


FIG. 4

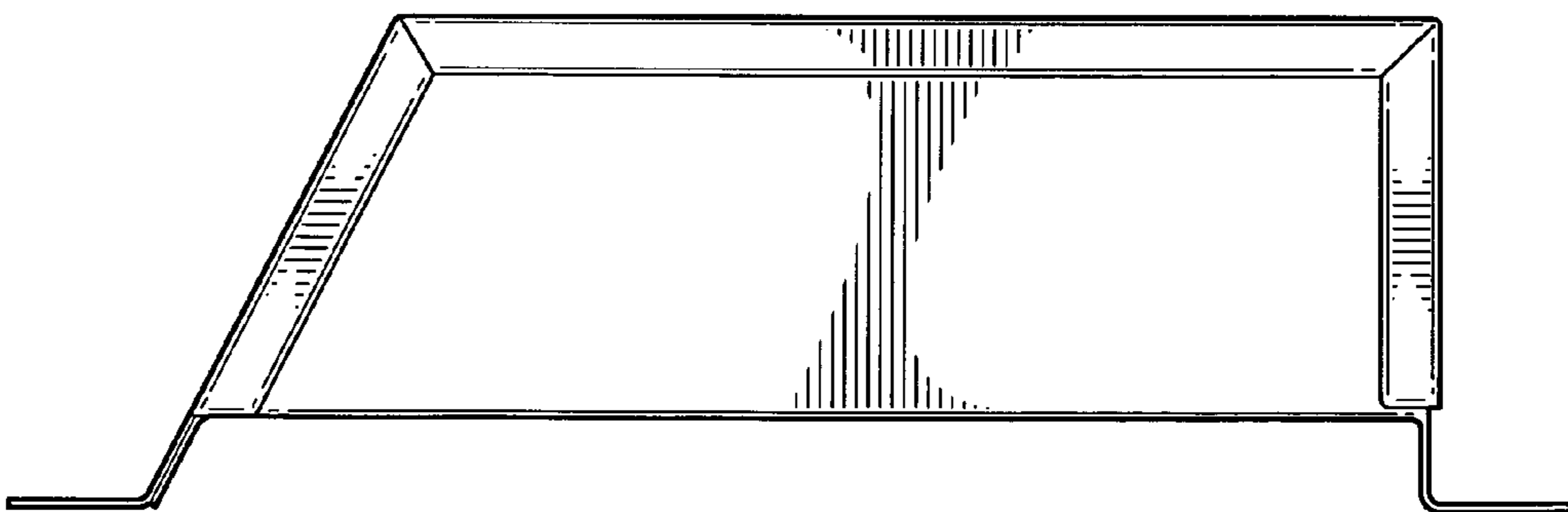


FIG. 5

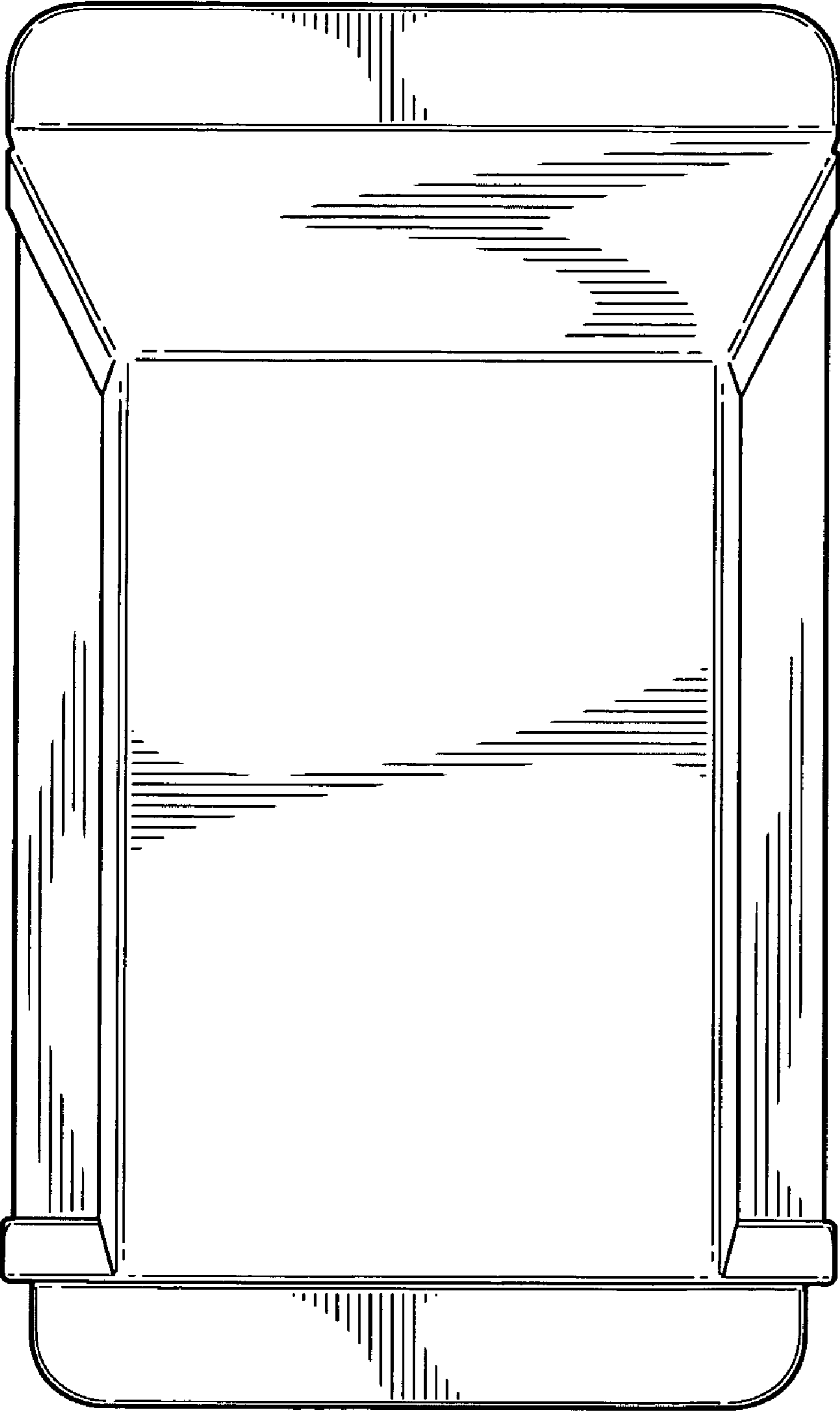


FIG. 6

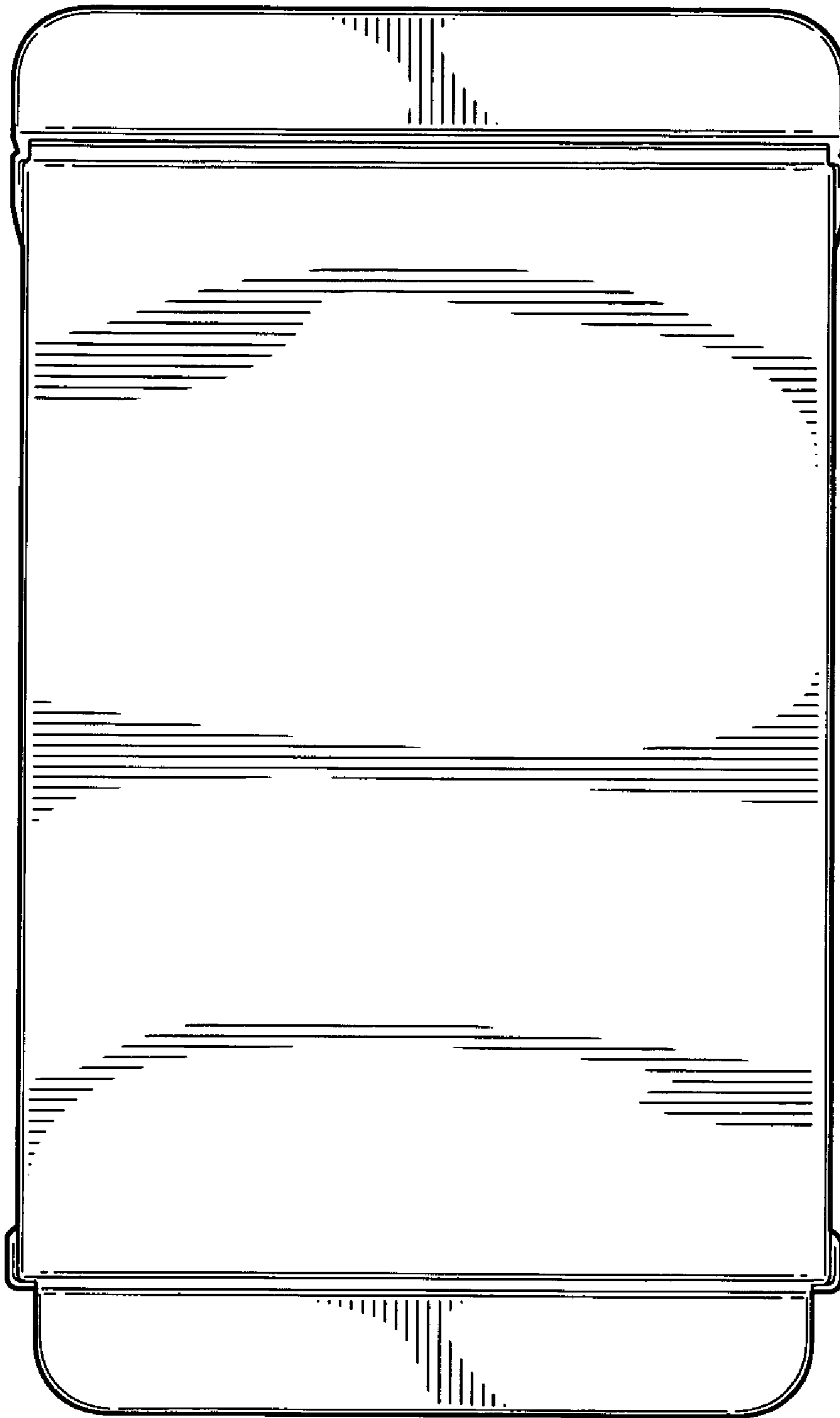


FIG. 7