



US00D657745S

(12) **United States Design Patent**  
**Fukano et al.**

(10) **Patent No.:** **US D657,745 S**

(45) **Date of Patent:** **\*\* Apr. 17, 2012**

(54) **CONTROLLER FOR ELECTRIC ACTUATOR**

(75) Inventors: **Yoshihiro Fukano**, Tsukubamirai (JP);  
**Kazuyuki Oguma**, Tsukubamirai (JP)

(73) Assignee: **SMC Corporation**, Chiyoda-ku, Tokyo  
(JP)

(\*\*) Term: **14 Years**

(21) Appl. No.: **29/366,694**

(22) Filed: **Jul. 29, 2010**

(30) **Foreign Application Priority Data**

Mar. 24, 2010 (JP) ..... 2010-007224

(51) **LOC (9) Cl.** ..... **13-03**

(52) **U.S. Cl.** ..... **D13/147**

(58) **Field of Classification Search** ..... D13/110,  
D13/146, 147, 154, 184, 199; 439/135, 180,  
439/278, 290-292, 295, 483, 527, 529, 533,  
439/540.1, 541.5, 660, 668, 680, 682, 686,  
439/892, 894

See application file for complete search history.

(56) **References Cited**

**U.S. PATENT DOCUMENTS**

D263,216 S \* 3/1982 Maher ..... D13/184  
D281,245 S \* 11/1985 Lewis ..... D14/355

D360,877 S \* 8/1995 Ropponen et al. .... D13/184  
D365,348 S \* 12/1995 Card et al. .... D14/140.3  
D413,567 S \* 9/1999 Person et al. .... D13/110

\* cited by examiner

*Primary Examiner* — Daniel Bui

(74) *Attorney, Agent, or Firm* — Yokoi & Co., U.S.A., Inc.;  
Toshiyuki Yokoi

(57) **CLAIM**

The ornamental design for a controller for electric actuator, as shown and described.

**DESCRIPTION**

FIG. 1 shows a front view of a controller for electric actuator showing our new design;

FIG. 2 shows a rear view thereof;

FIG. 3 shows a right side view thereof;

FIG. 4 shows a left side view thereof;

FIG. 5 shows a top view thereof;

FIG. 6 shows a bottom view thereof;

FIG. 7 shows a top, front and right side perspective view thereof; and,

FIG. 8 shows a bottom, front and left side perspective view thereof.

The broken line portion of the figure drawings is included for the purpose of illustrating environment and forms no part of the claimed design.

**1 Claim, 8 Drawing Sheets**

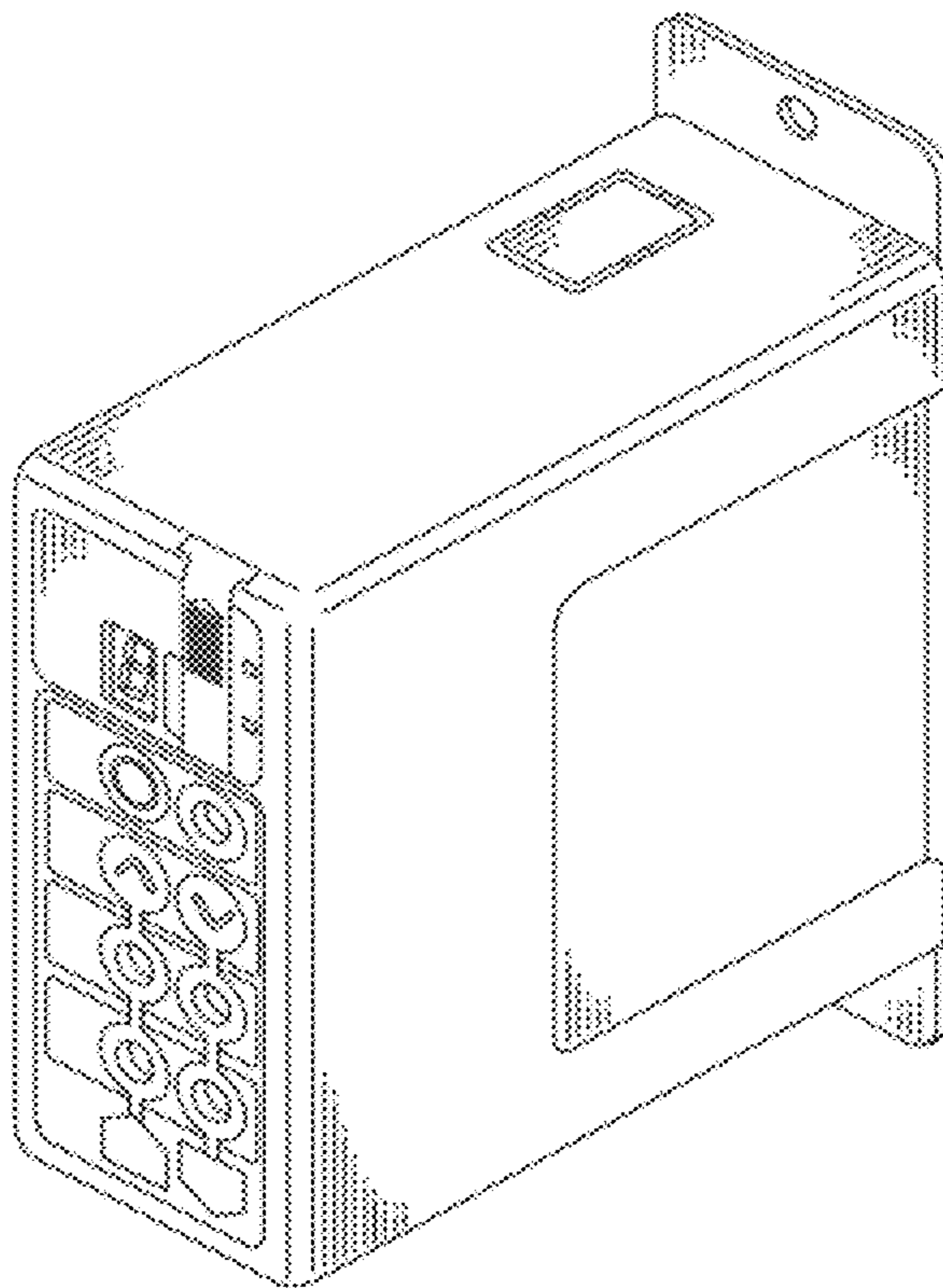
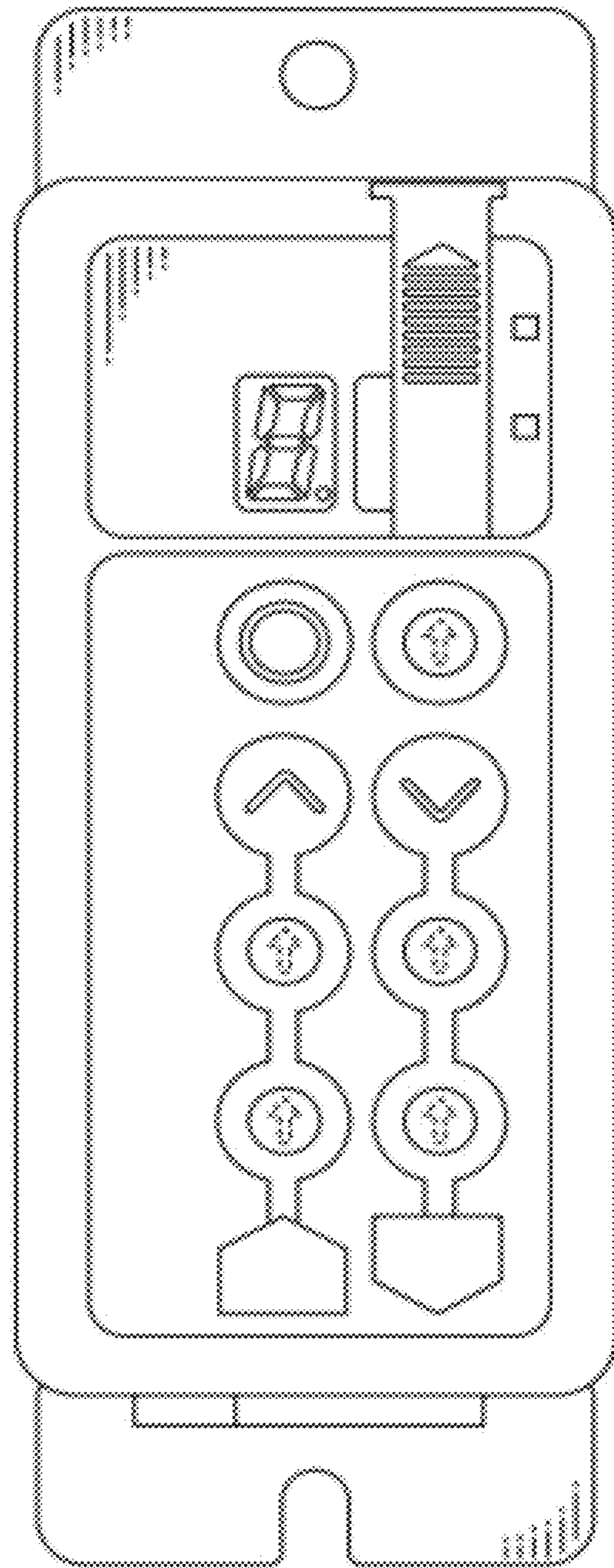


FIG. 1



# FIG. 2

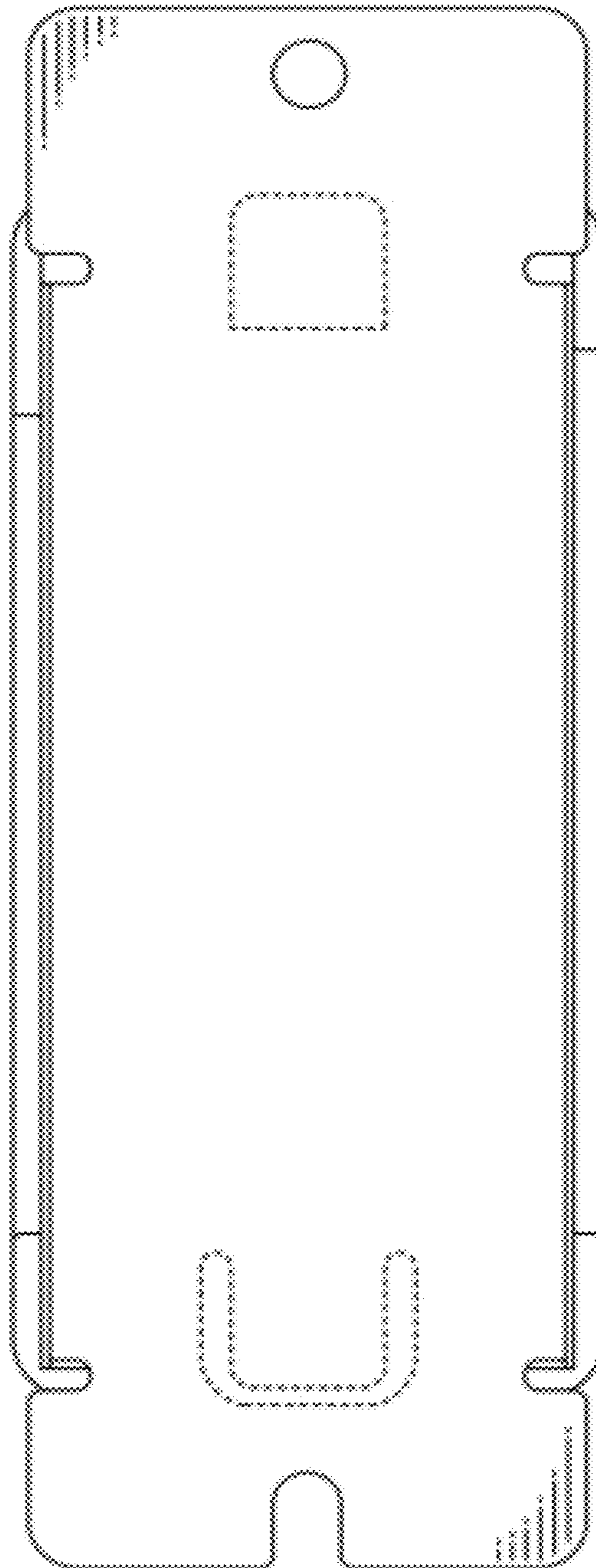


FIG. 3

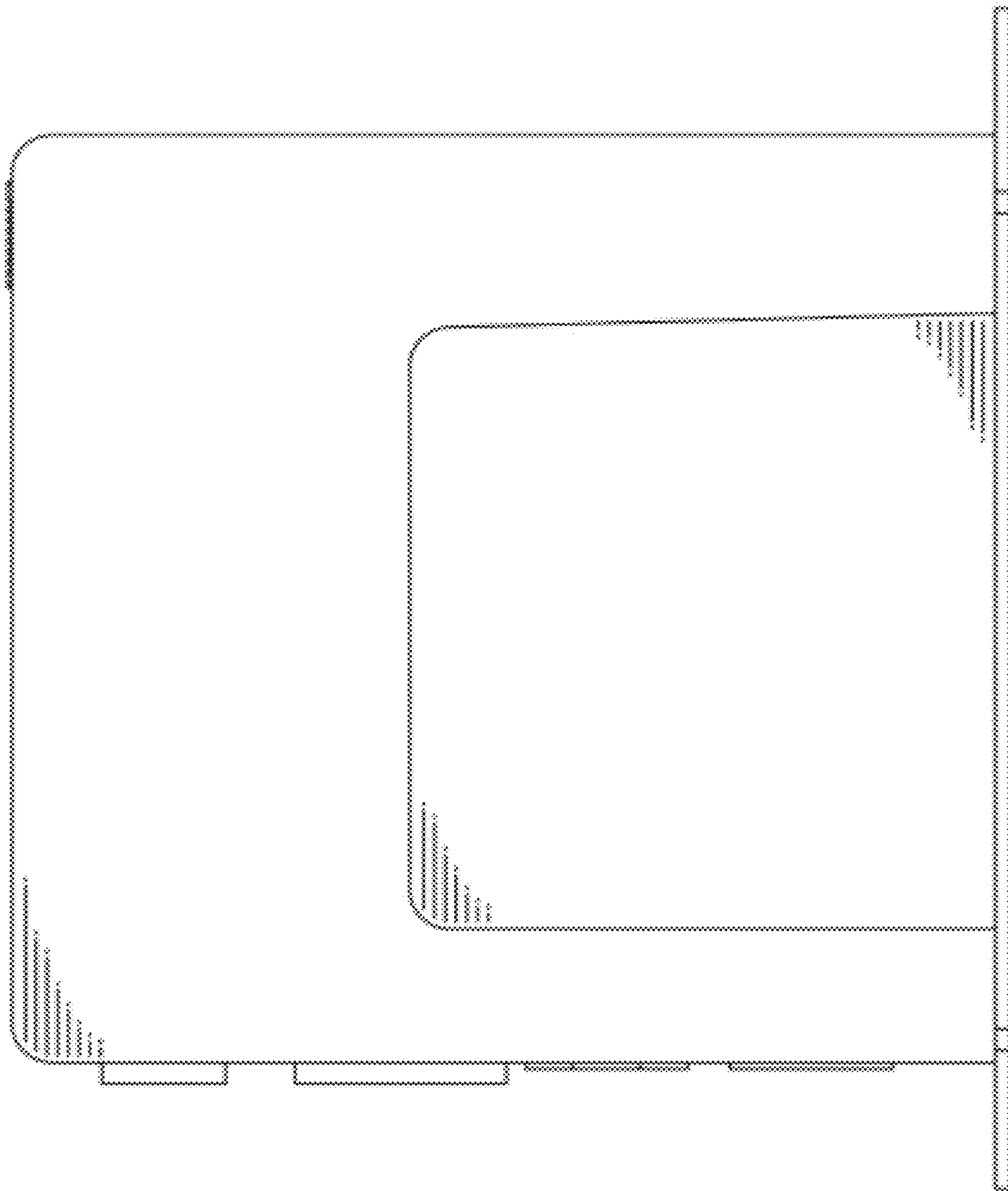
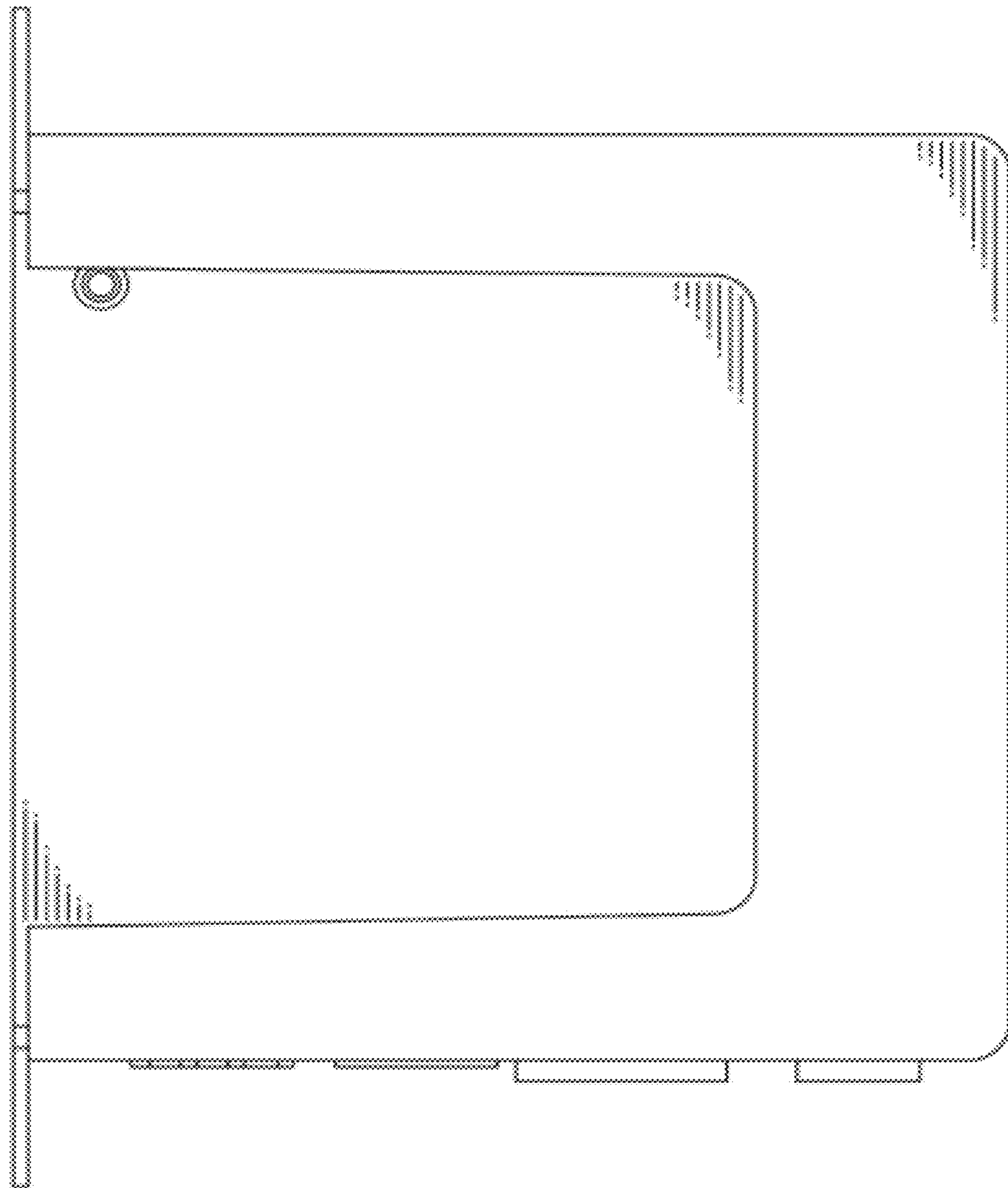
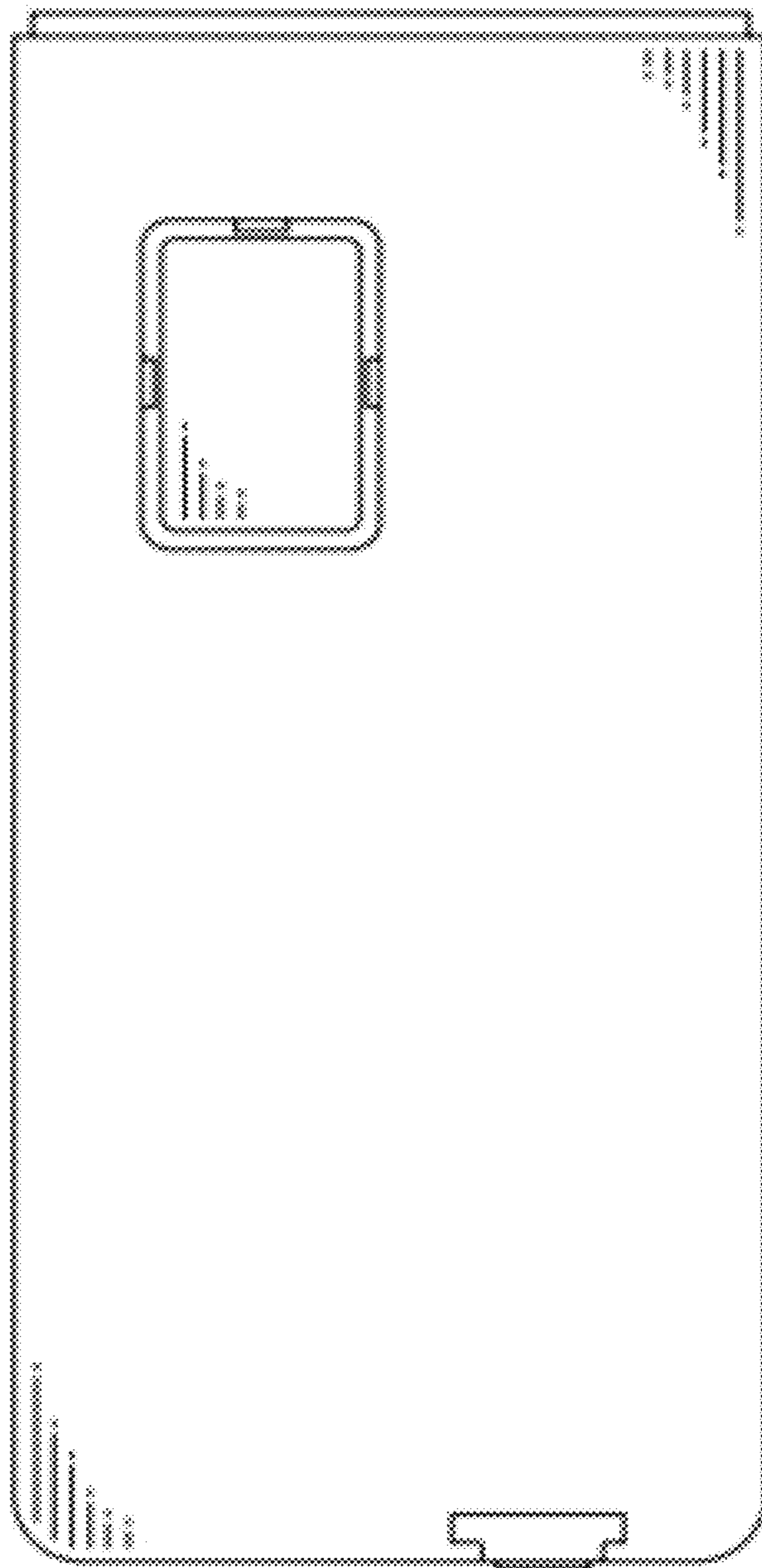


FIG. 4



# FIG. 5



# FIG. 6

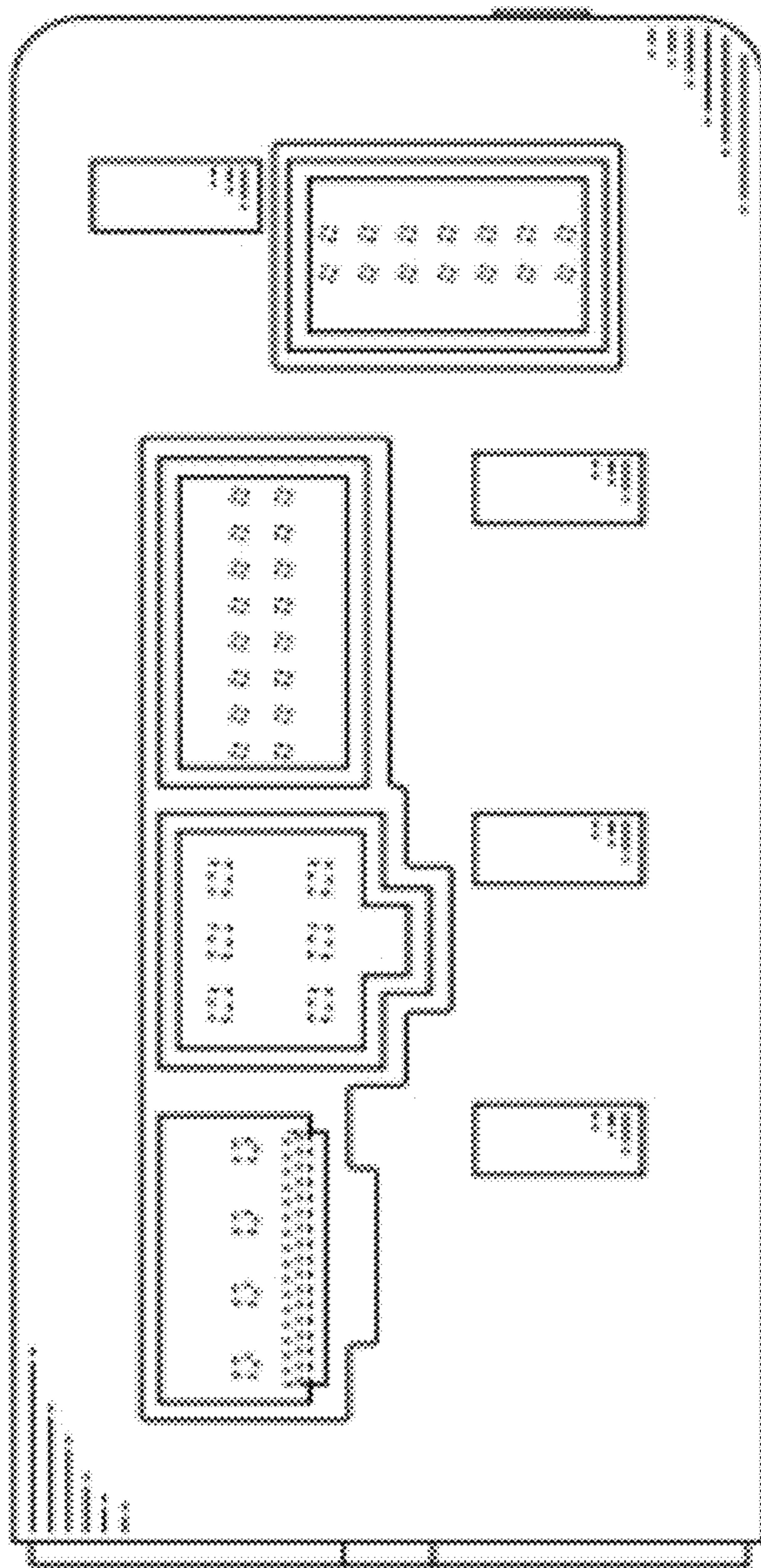
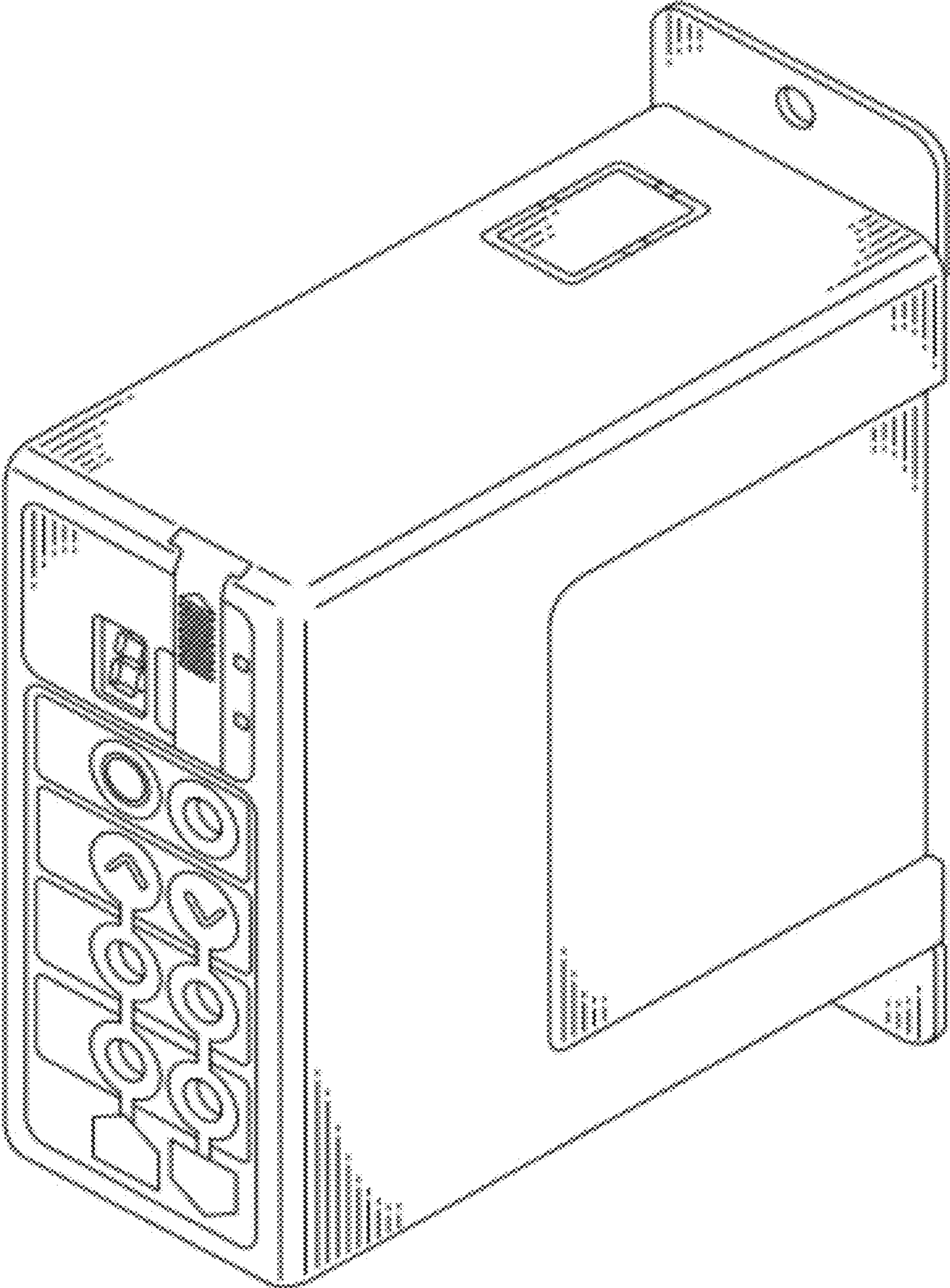


FIG. 7





# FIG. 8

