



US00D657744S

(12) **United States Design Patent**  
**Lee et al.**

(10) **Patent No.:** **US D657,744 S**  
(45) **Date of Patent:** **\*\* Apr. 17, 2012**

- (54) **DUSTCOAT OF WIND TURBINE**
- (75) Inventors: **Chien-Ho Lee**, Taoyuan Hsien (TW);  
**Jui-Hsiang Kao**, Taoyuan Hsien (TW);  
**Hsu-Fan Ai**, Taoyuan Hsien (TW)
- (73) Assignee: **Delta Electronics, Inc.**, Kuei San,  
Taoyuan Hsien (TW)
- (\*\*) Term: **14 Years**
- (21) Appl. No.: **29/389,314**
- (22) Filed: **Apr. 8, 2011**
- (51) **LOC (9) Cl.** ..... **13-01**
- (52) **U.S. Cl.** ..... **D13/115**
- (58) **Field of Classification Search** ..... D13/115,  
D13/101, 199; D15/1, 199; 290/43, 44;  
415/4.1, 4.3, 4.5, 56.3, 122.1; 416/9, 12,  
416/23, 24, 32, 37, 38, 44, 115, 117, 132 B,  
416/132 R, 142, 169, 196 A, 197 A  
See application file for complete search history.

- 5,354,175 A \* 10/1994 Coleman et al. .... 416/9
- D517,986 S \* 3/2006 Wobben ..... D13/115
- D584,686 S \* 1/2009 Gudewer ..... D13/115
- D602,861 S \* 10/2009 Talab ..... D13/115

\* cited by examiner

*Primary Examiner* — Derrick Holland

(74) *Attorney, Agent, or Firm* — Muncy, Geissler, Olds & Lowe, PLLC

(57) **CLAIM**

We claim the ornamental design for a dustcoat of wind turbine, as shown and described.

**DESCRIPTION**

FIG. 1 is a perspective view of a dustcoat of wind turbine showing our new design;  
 FIG. 2 is a right side view thereof;  
 FIG. 3 is a left side view thereof;  
 FIG. 4 is a top view thereof;  
 FIG. 5 is a bottom view thereof;  
 FIG. 6 is a front view thereof; and,  
 FIG. 7 is a rear view thereof.

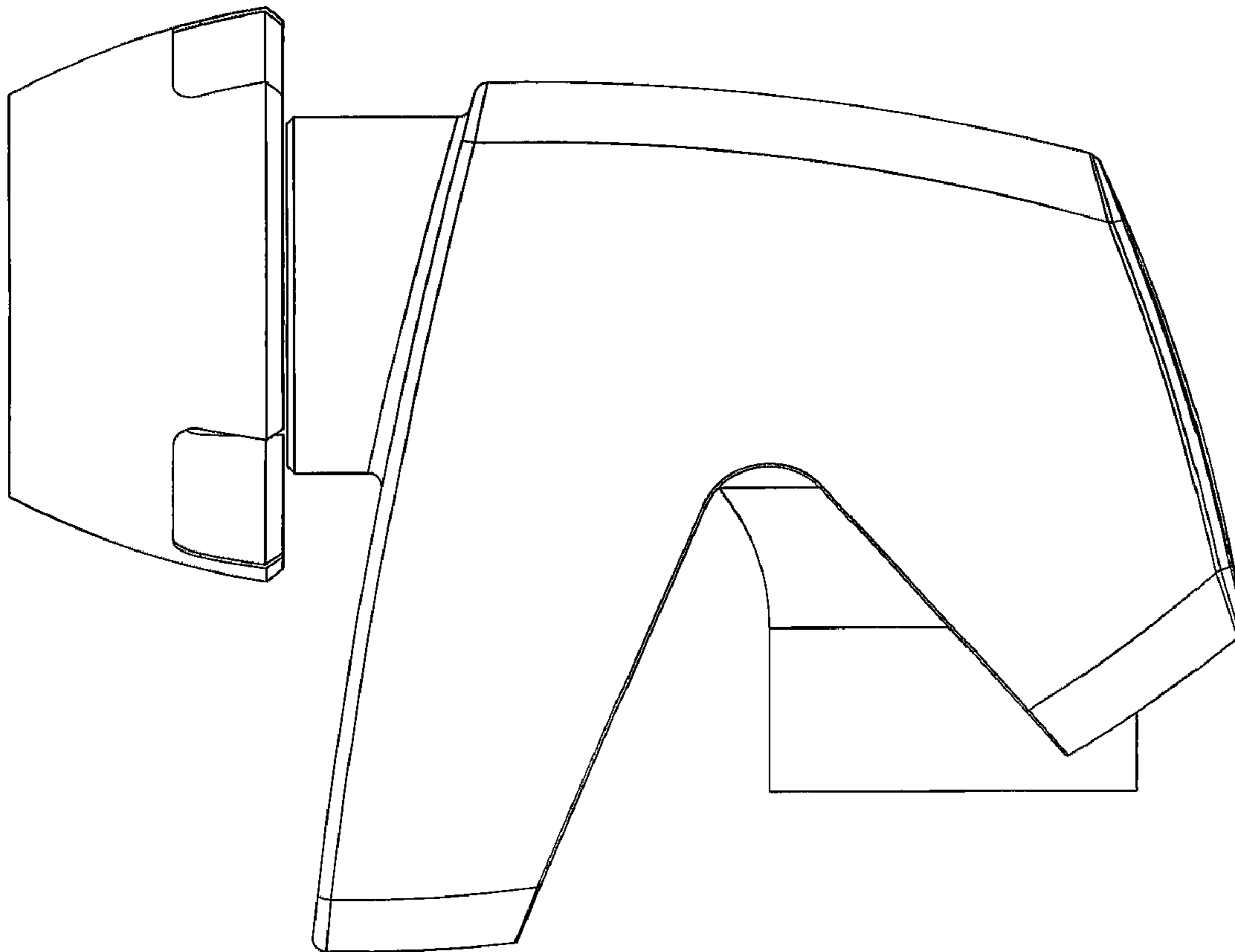
The broken lines shown represent unclaimed subject matter and form no part of the claimed design.

(56) **References Cited**

U.S. PATENT DOCUMENTS

- D271,303 S \* 11/1983 Ovelmen ..... D15/1
- 4,498,017 A \* 2/1985 Parkins ..... 290/44

**1 Claim, 7 Drawing Sheets**



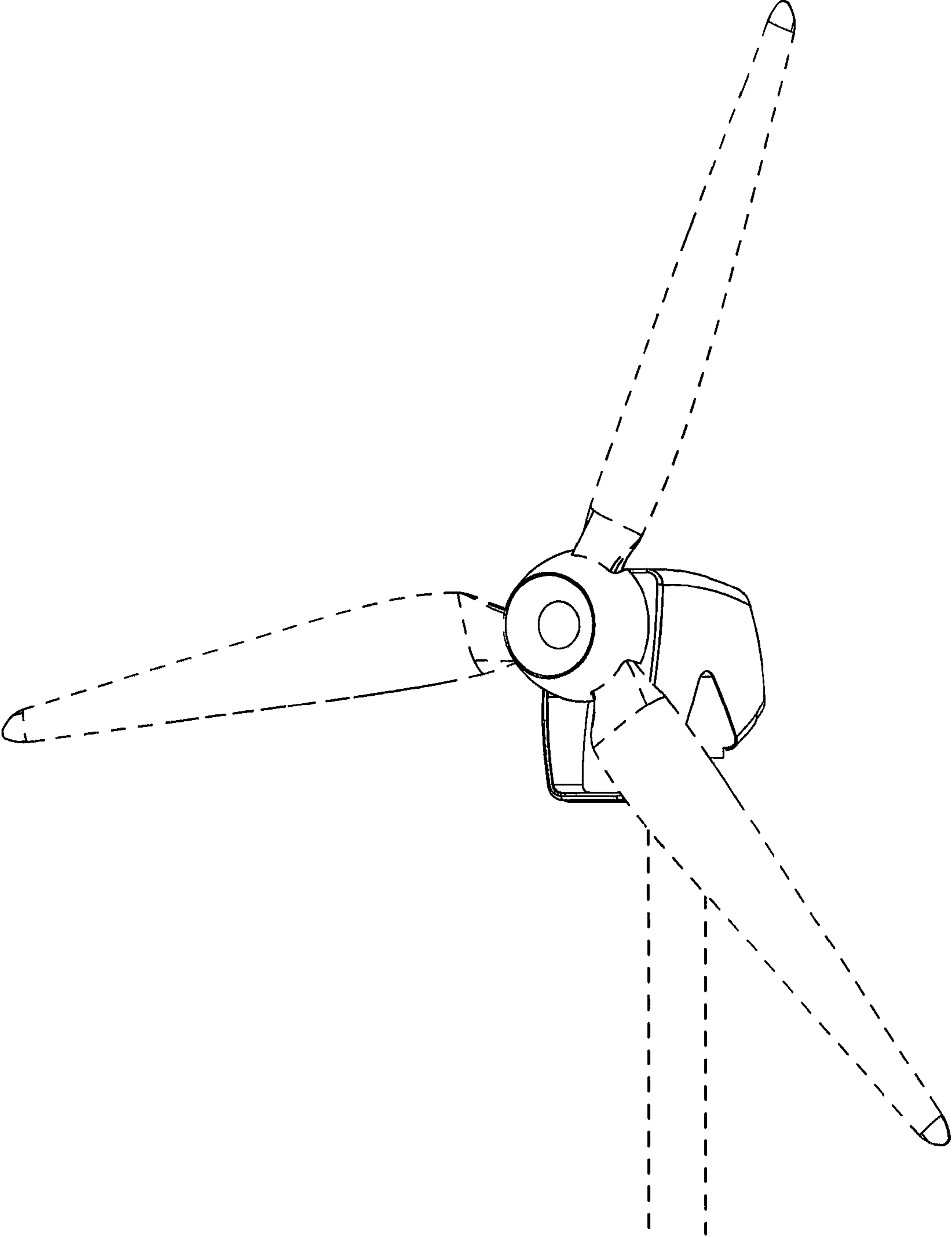


Fig. 1

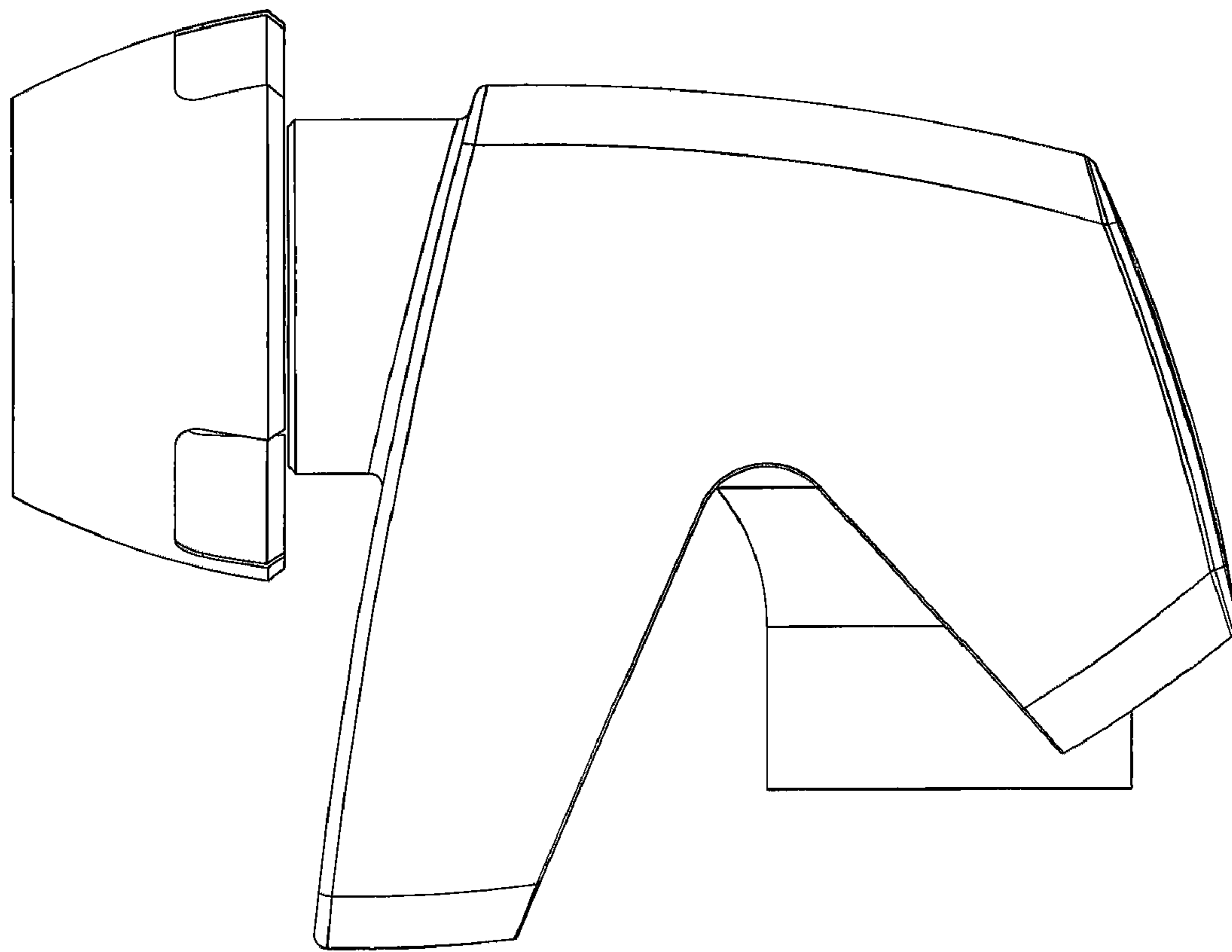


Fig. 2

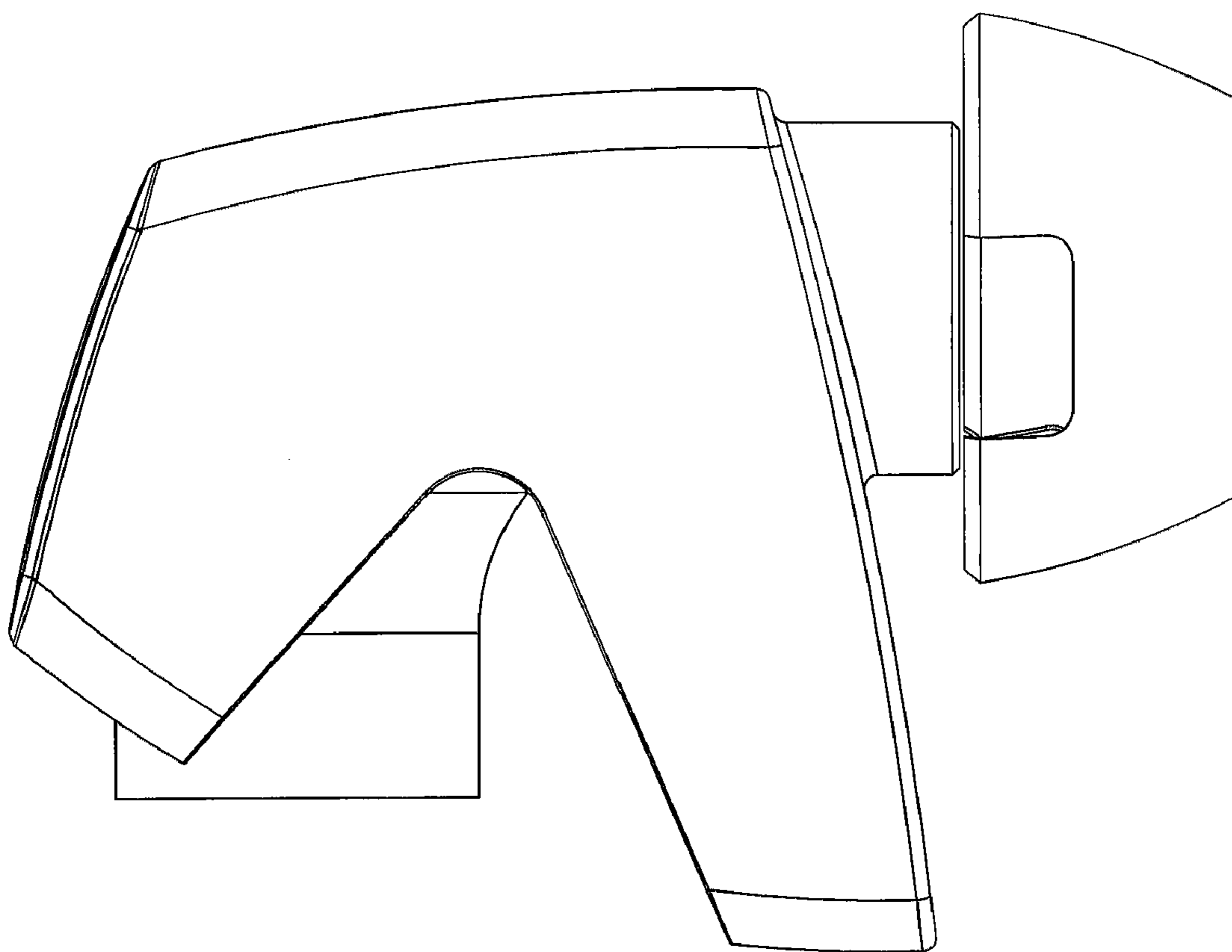


Fig. 3

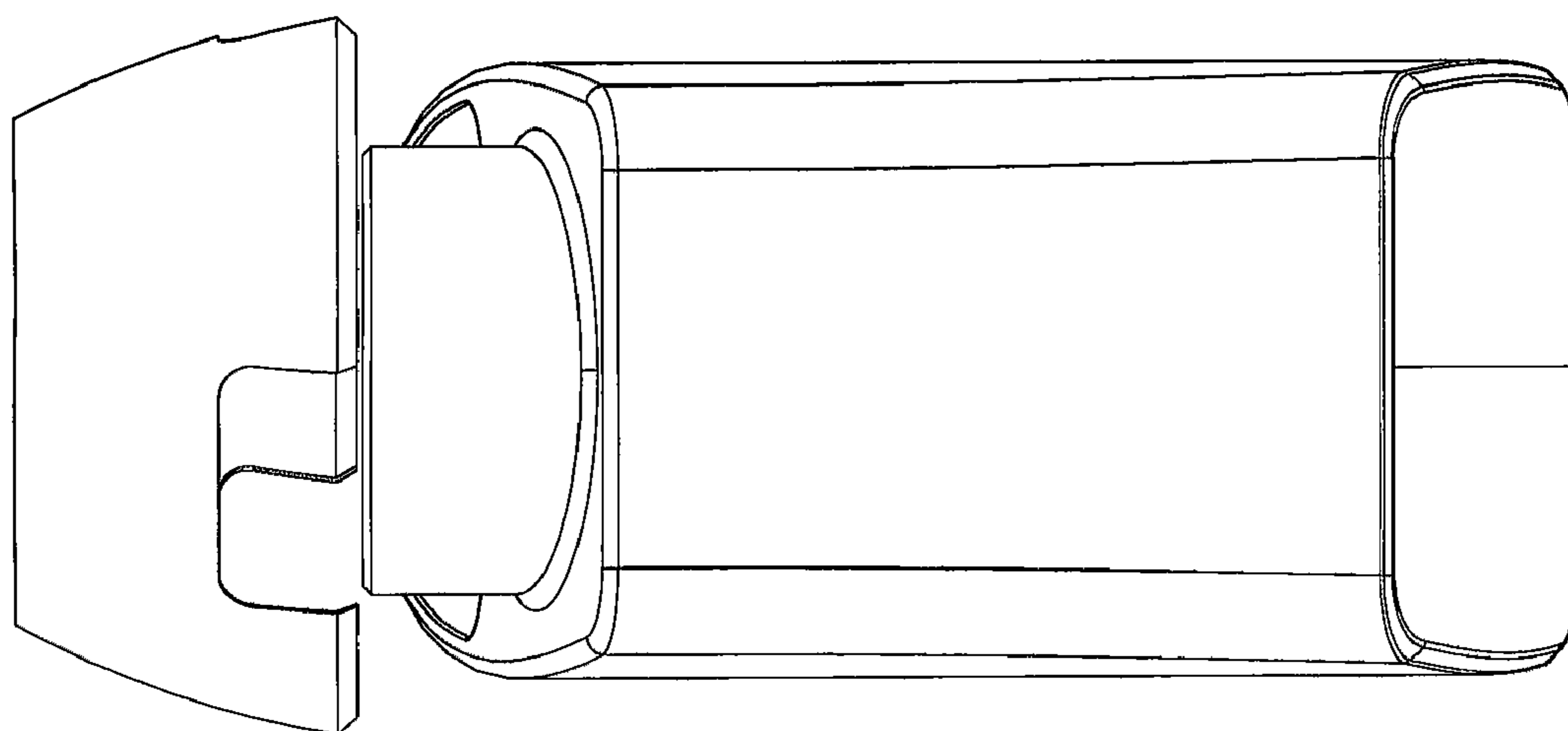


Fig. 4

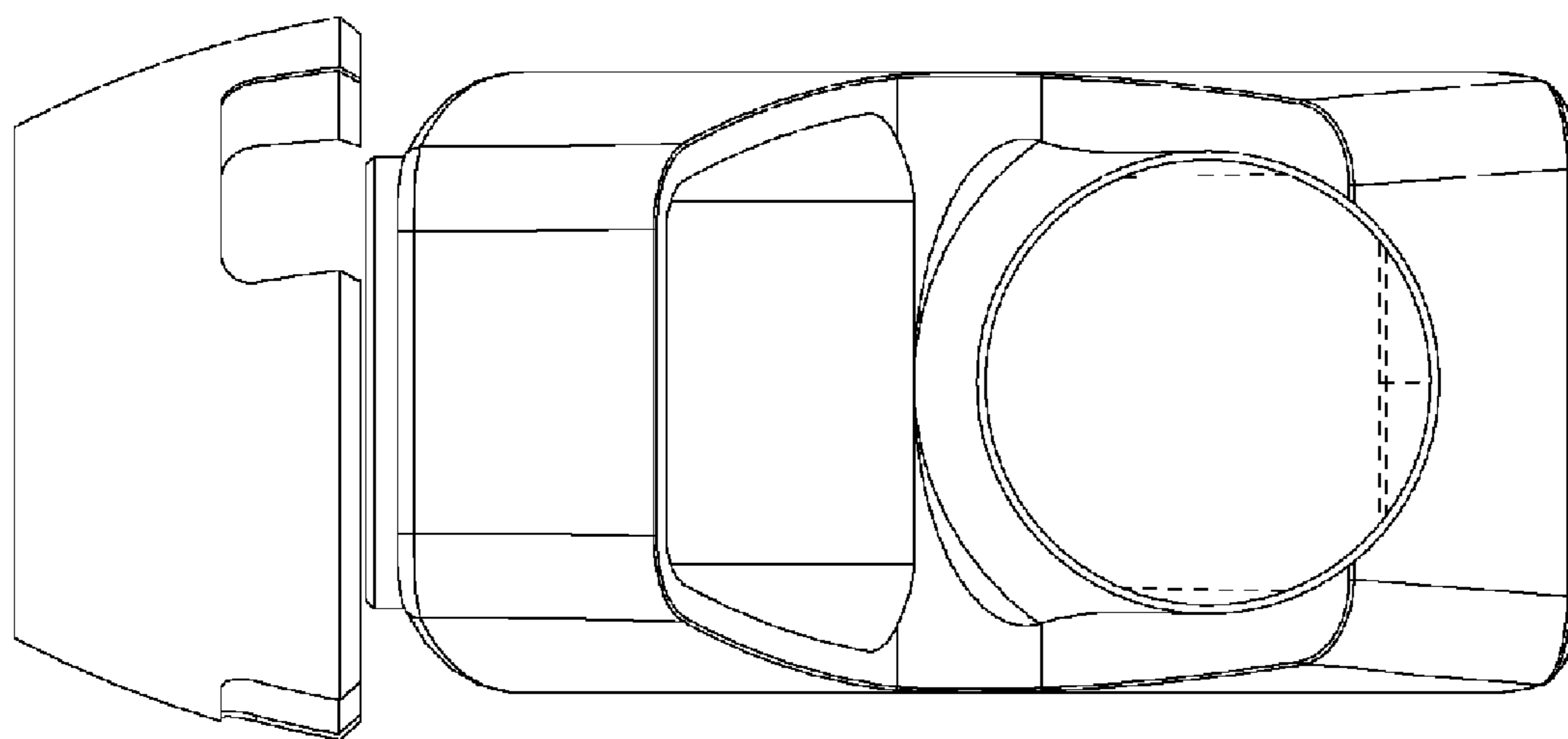


Fig. 5

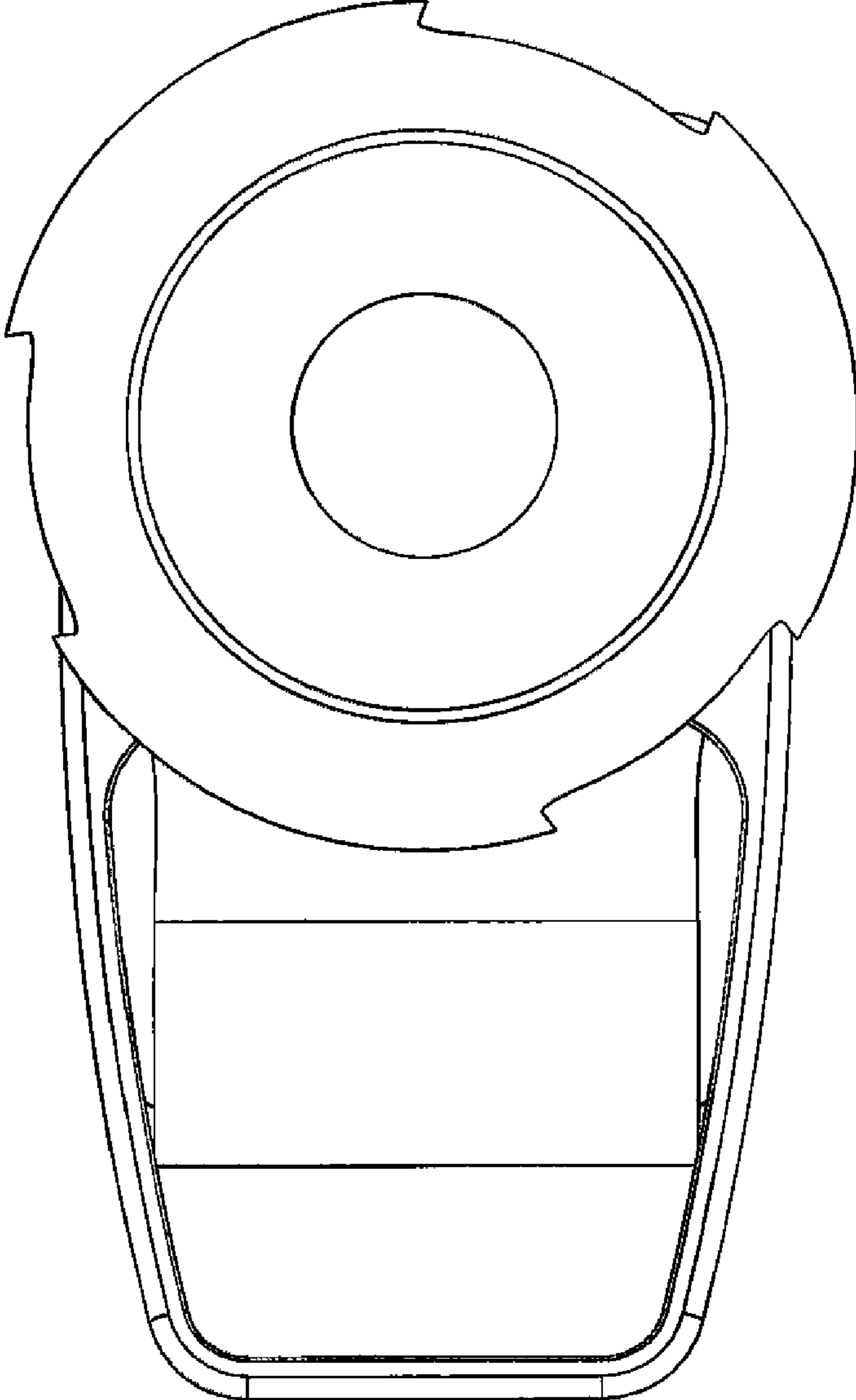


Fig. 6

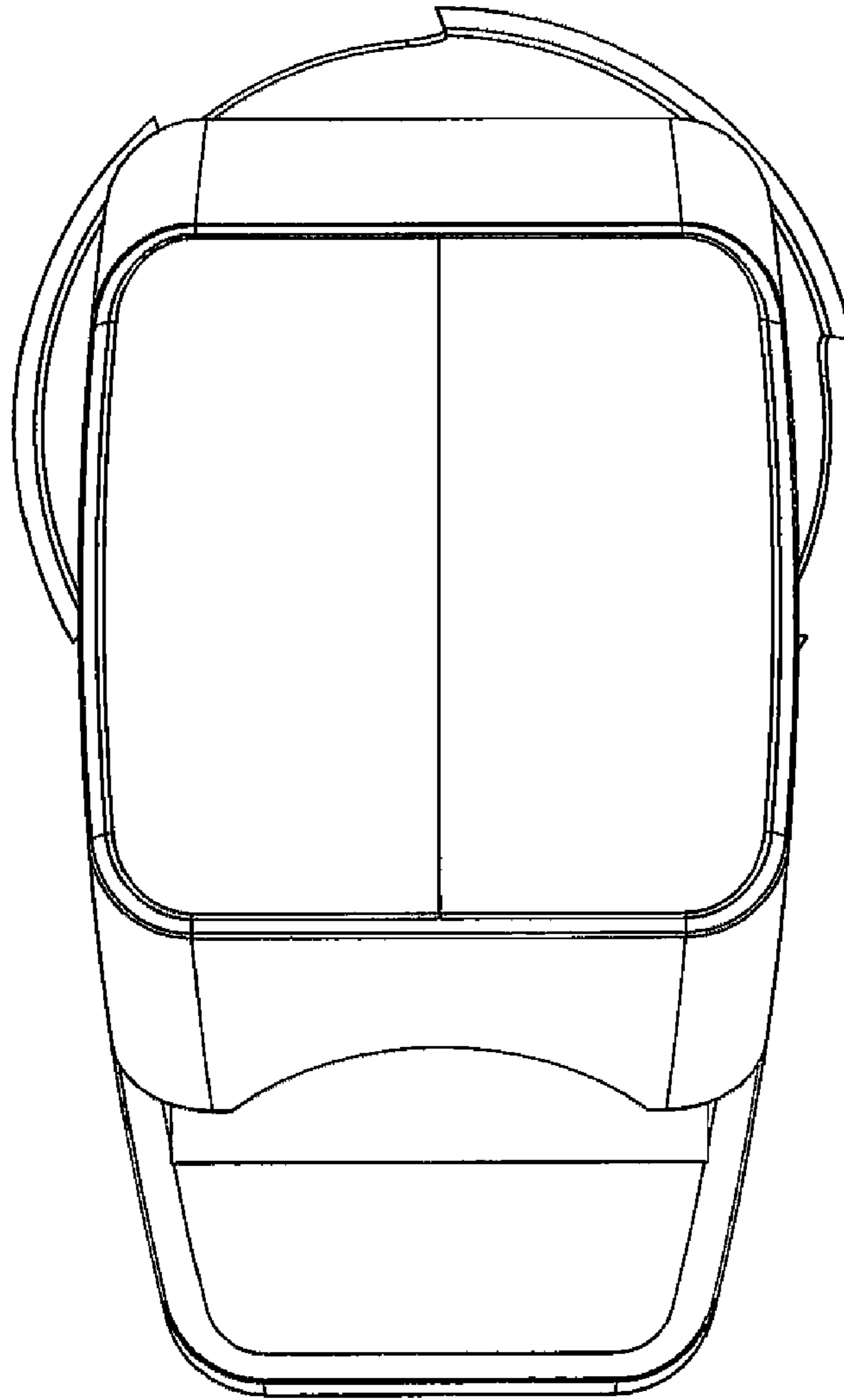


Fig. 7