



US00D657743S

(12) **United States Design Patent**
Andre et al.

(10) **Patent No.:** **US D657,743 S**
(45) **Date of Patent:** **** Apr. 17, 2012**

(54) **POWER ADAPTER**

(75) Inventors: **Bartley K. Andre**, Menlo Park, CA (US); **Daniel J. Coster**, San Francisco, CA (US); **Daniele De Iulius**, San Francisco, CA (US); **Richard P. Howarth**, San Francisco, CA (US); **Jonathan P. Ive**, San Francisco, CA (US); **Steve Jobs**, Palo Alto, CA (US); **Duncan Robert Kerr**, San Francisco, CA (US); **Matthew Dean Rohrbach**, San Francisco, CA (US); **Douglas B. Satzger**, Menlo Park, CA (US); **Calvin Q. Seid**, Palo Alto, CA (US); **Vincent Keane Seid**, legal representative, Los Gatos, CA (US); **Christopher J. Stringer**, Woodside, CA (US); **Eugene Antony Whang**, San Francisco, CA (US)

(73) Assignee: **Apple Inc.**, Cupertino, CA (US)

(**) Term: **14 Years**

(21) Appl. No.: **29/408,597**

(22) Filed: **Dec. 14, 2011**

Related U.S. Application Data

(60) Continuation of application No. 29/376,090, filed on Oct. 1, 2010, which is a continuation of application No. 12/838,397, filed on Jul. 16, 2010, which is a division of application No. 10/125,893, filed on Apr. 18, 2002, now abandoned, which is a continuation of application No. 29/253,133, filed on Oct. 22, 2001, now Pat. No. Des. 478,546, which is a continuation-in-part of application No. 29/145,957, filed on Jul. 31, 2001, now Pat. No. Des. 478,310.

(51) **LOC (9) Cl.** **13-02**

(52) **U.S. Cl.** **D13/110**

(58) **Field of Classification Search** D13/110, D13/107, 108, 123, 133, 137.1, 138.1, 199; 174/53, 54, 59, 61; 307/150, 151; 320/111, 320/114; 363/132, 140, 142, 143, 146; 439/105, 439/131, 166, 171-173, 218, 518, 692, 956; D14/240, 251, 253, 432, 433, 434

See application file for complete search history.

(56) **References Cited**

U.S. PATENT DOCUMENTS

5,019,767	A	5/1991	Shirai et al.	
D350,113	S	8/1994	Nagele	
5,613,863	A	3/1997	Klaus et al.	
5,634,806	A *	6/1997	Hahn	439/173
5,648,712	A	7/1997	Hahn	
D383,115	S	9/1997	Nagele et al.	
5,684,689	A	11/1997	Hahn	
5,973,948	A	10/1999	Hahn	

(Continued)

OTHER PUBLICATIONS

U.S. Appl. No. 29/376,321, filed Oct. 5, 2010, entitled "Power Adapter", and as amended Apr. 28, 2011.

(Continued)

Primary Examiner — Stella Reid

Assistant Examiner — Derrick Holland

(74) *Attorney, Agent, or Firm* — SAIDMAN DesignLaw Group

(57) **CLAIM**

The ornamental design for a power adapter, as shown and described.

DESCRIPTION

FIG. 1 is a perspective view of a power adapter showing our new design;

FIG. 2 is a right side view thereof;

FIG. 3 is a rear view thereof;

FIG. 4 is a left side view thereof;

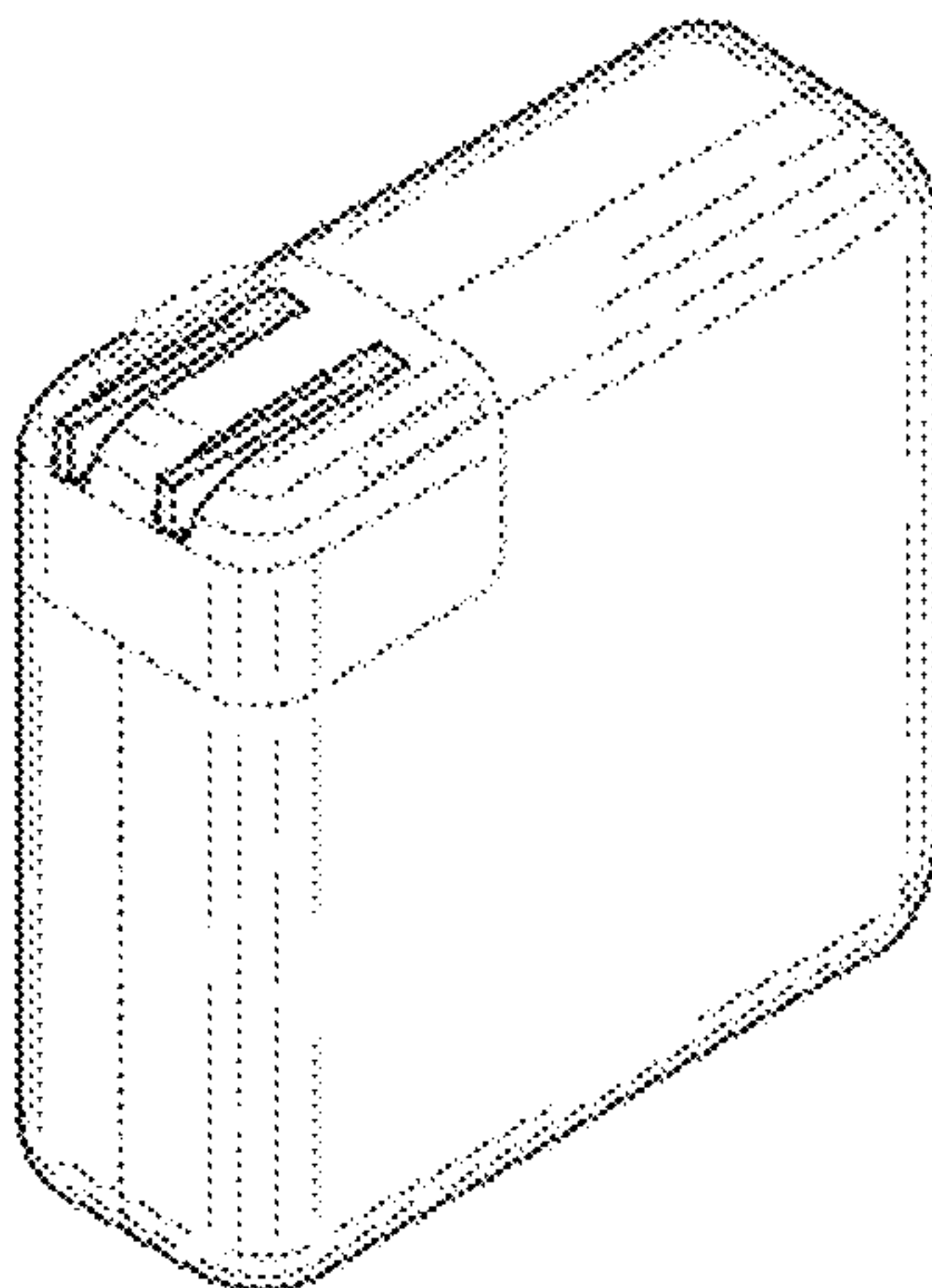
FIG. 5 is a front view thereof;

FIG. 6 is a top view thereof; and,

FIG. 7 is a bottom view thereof.

The broken lines illustrate portions of the power adapter and form no part of the claimed design.

1 Claim, 4 Drawing Sheets



US D657,743 S

Page 2

U.S. PATENT DOCUMENTS

6,086,395 A 7/2000 Lloyd et al.
D449,030 S 10/2001 Baxter et al.
6,312,271 B1 11/2001 Tseng
D478,310 S 8/2003 Andre et al.
D478,546 S 8/2003 Andre et al.
D479,823 S 9/2003 Andre et al.
D484,497 S 12/2003 Alviar et al.
D490,080 S 5/2004 Alviar et al.
D492,250 S 6/2004 Alviar et al.
D503,679 S * 4/2005 Andre et al. D13/110
D519,922 S 5/2006 Andre et al.
D544,833 S * 6/2007 Sade et al. D13/108

D596,562 S * 7/2009 Hong et al. D13/110
7,573,159 B1 8/2009 De Iuliis et al.
D602,430 S * 10/2009 Green et al. D13/110
D621,782 S * 8/2010 Chang et al. D13/138.1
7,766,698 B1 8/2010 De Iuliis et al.
2010/0277007 A1 11/2010 De Iuliis et al.

OTHER PUBLICATIONS

U.S. Appl. No. 29/376,090, filed Oct. 1, 2010, entitled "Power Adapter", and as amended Nov. 18, 2011.

* cited by examiner

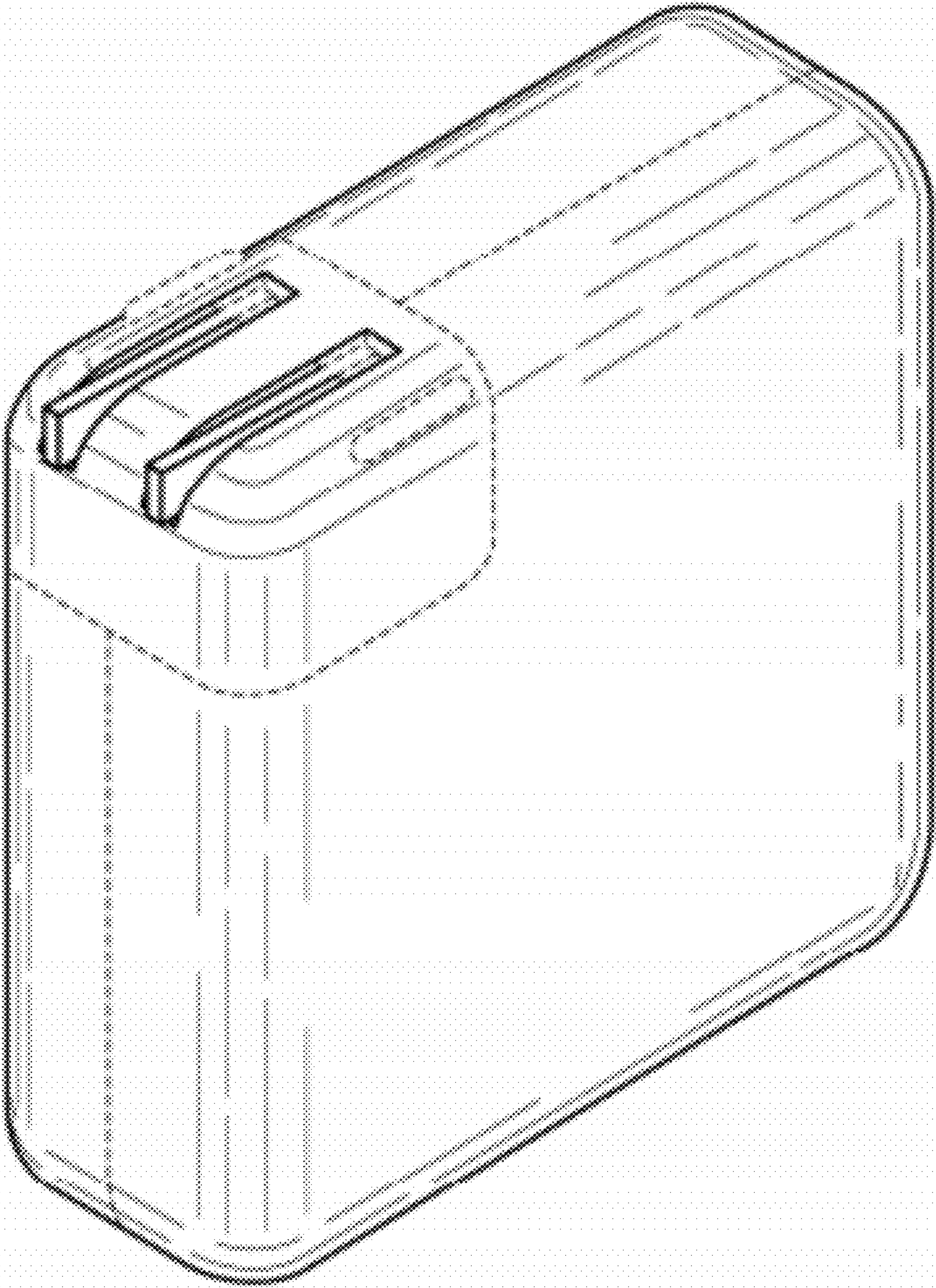


FIG. 1

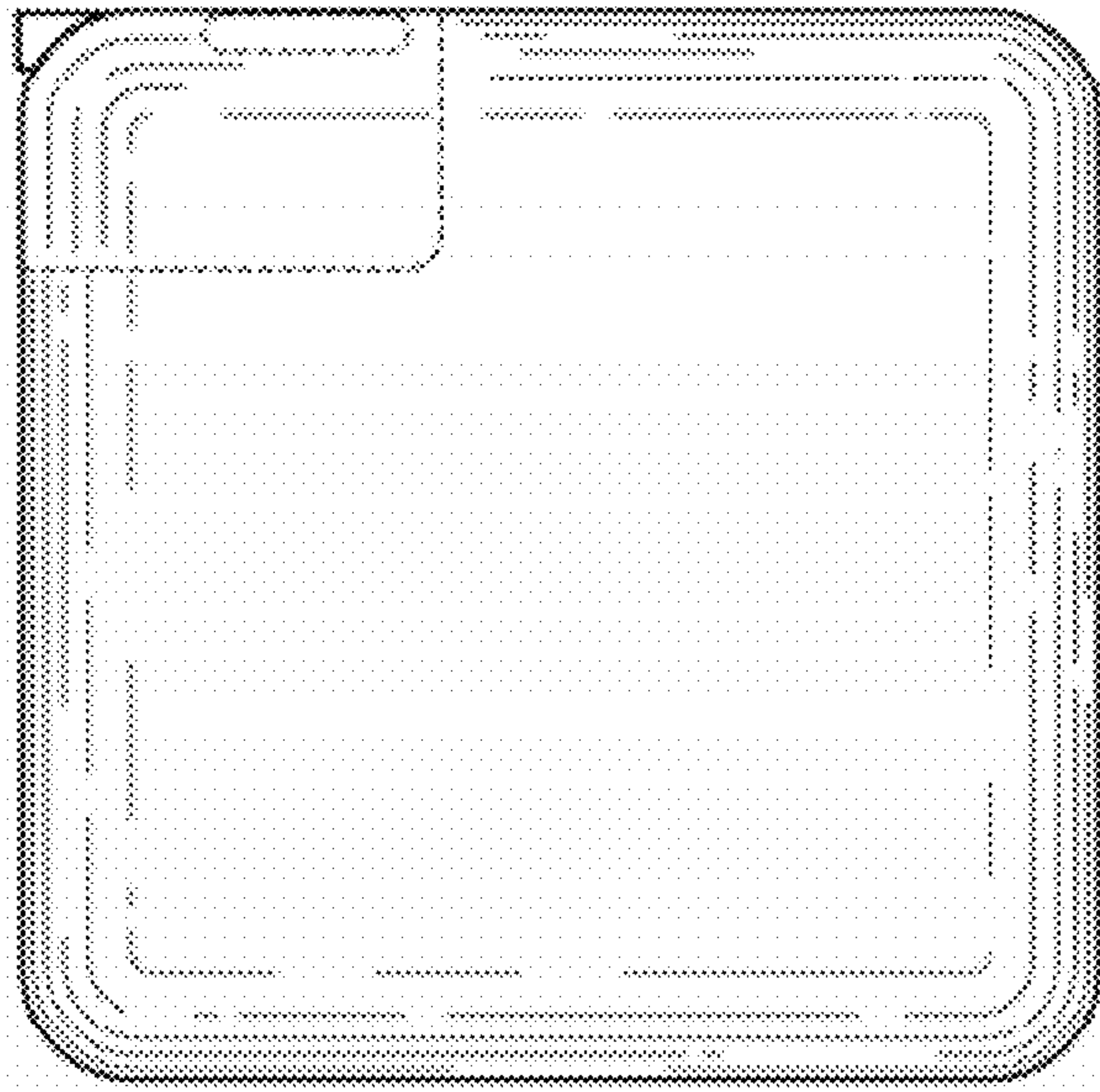


FIG. 2

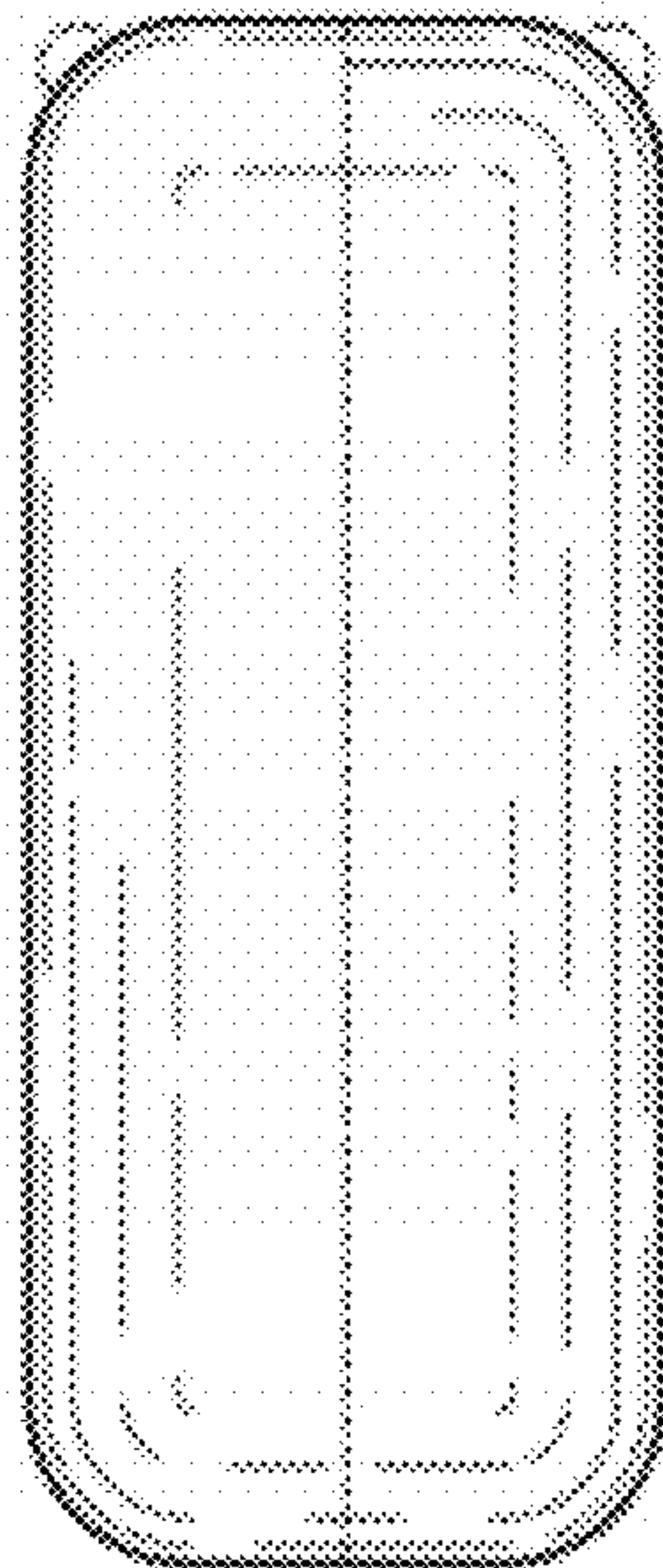


FIG. 3

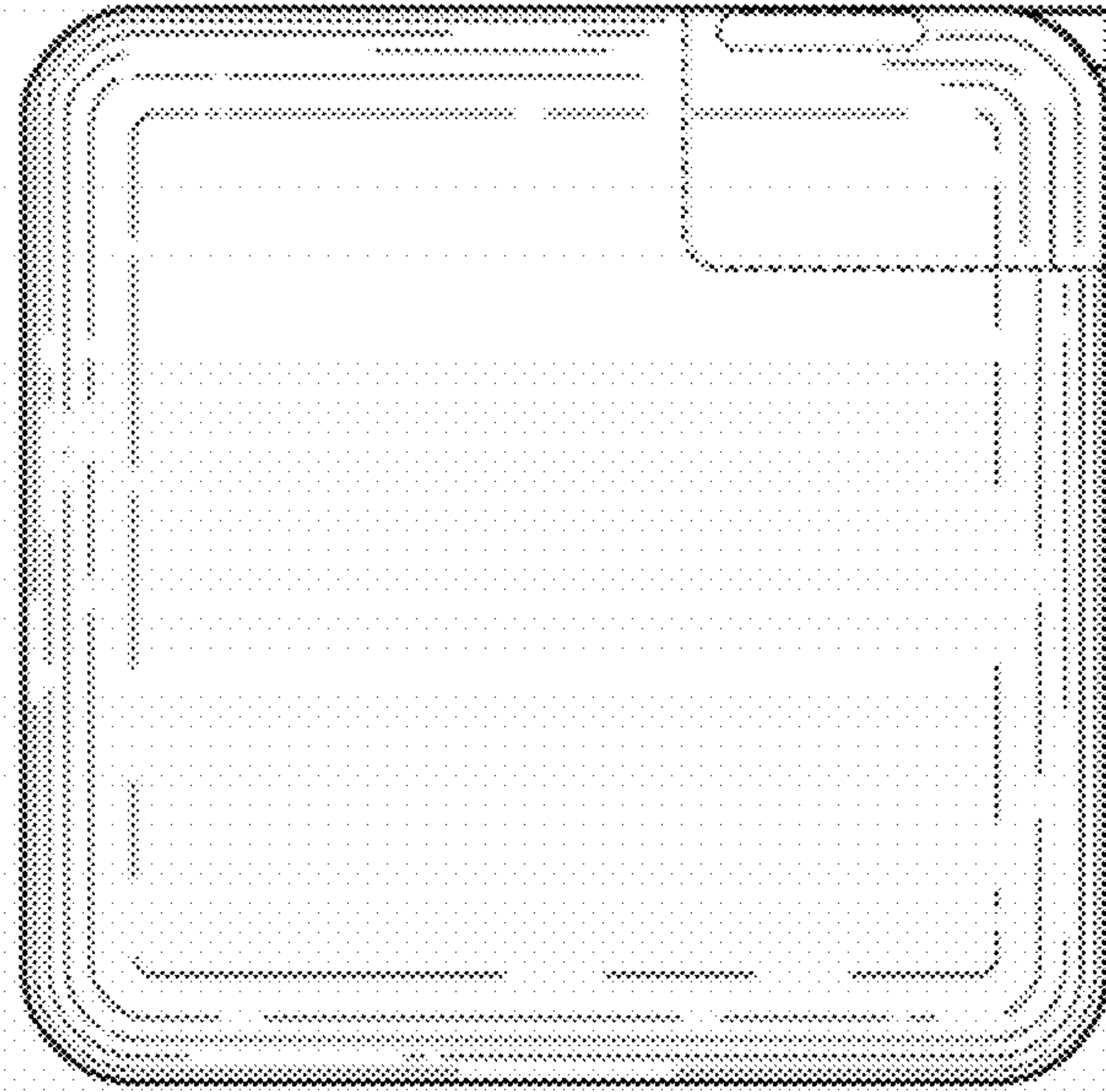


FIG. 4

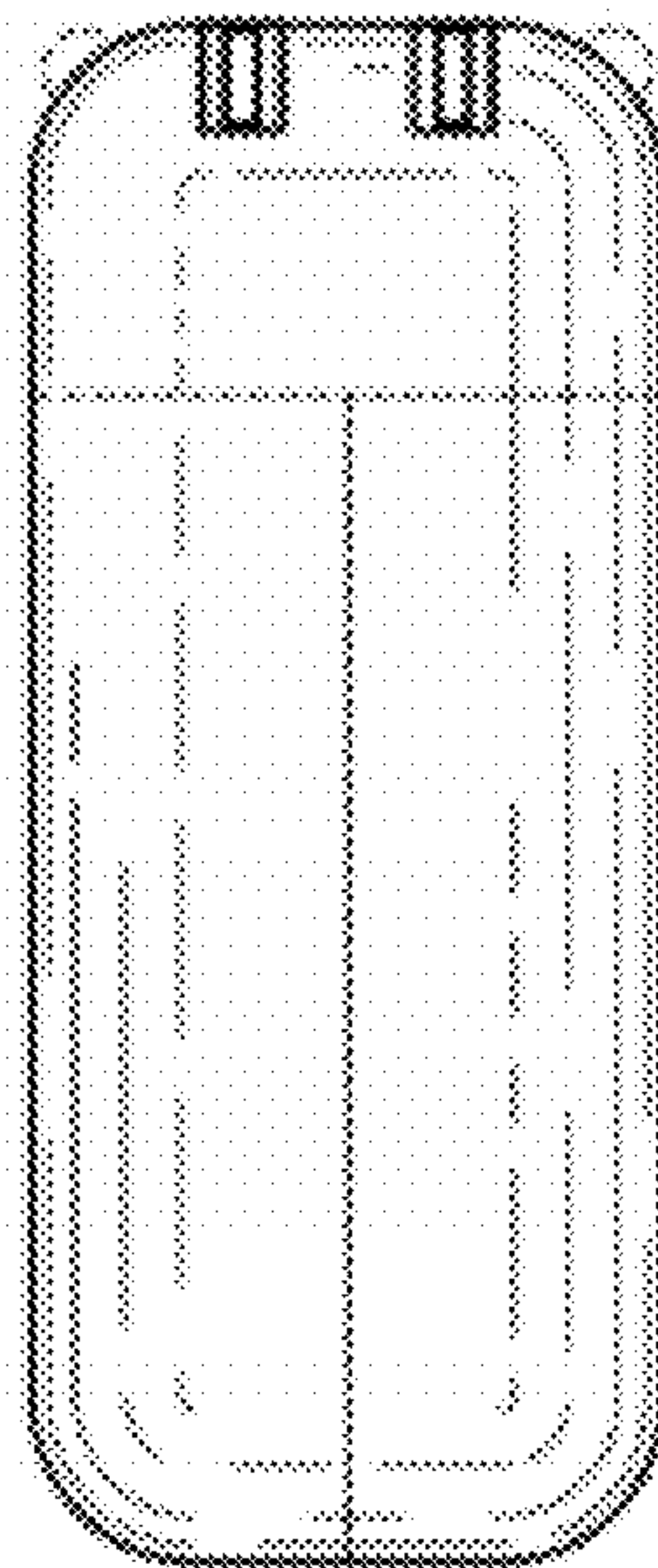


FIG. 5

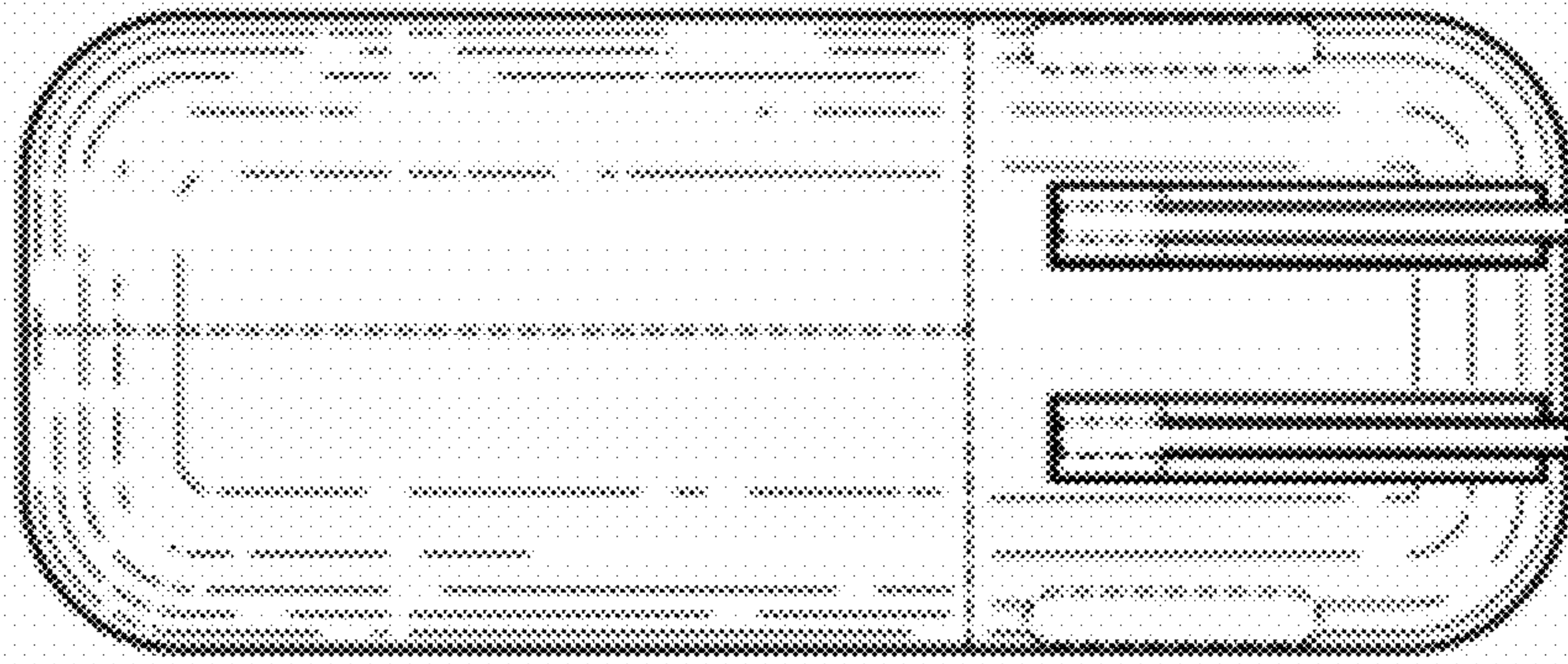


FIG. 6

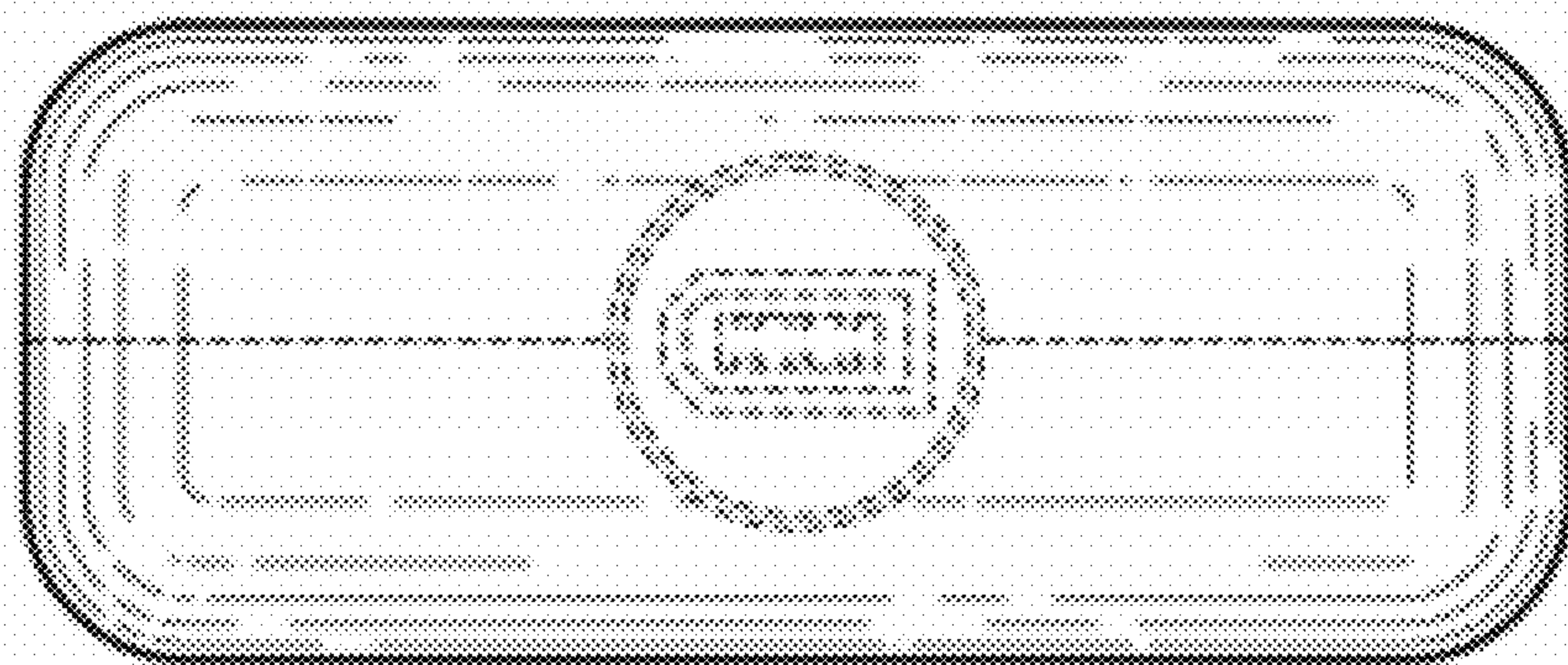


FIG. 7