



US00D657741S

(12) **United States Design Patent**
Fahrendorff et al.

(10) **Patent No.:** **US D657,741 S**
(45) **Date of Patent:** **** Apr. 17, 2012**

(54) **CHARGING DOCK**

(75) Inventors: **Anders Fahrendorff**, Ottawa (CA);
Dustin Jonathan Smith, Waterloo (CA);
Todd Andrew Wood, Toronto (CA)

(73) Assignee: **Research In Motion Limited**, Waterloo,
Ontario (CA)

(**) Term: **14 Years**

(21) Appl. No.: **29/383,309**

(22) Filed: **Jan. 14, 2011**

(51) **LOC (9) Cl.** **13-02**

(52) **U.S. Cl.** **D13/108**

(58) **Field of Classification Search** D13/107-110,
D13/118-119, 184, 199; D14/251, 253,
D14/432, 434; 320/107-115

See application file for complete search history.

(56) **References Cited**

U.S. PATENT DOCUMENTS

D502,913 S * 3/2005 Fukami et al. D13/108
D580,856 S * 11/2008 Haspil et al. D13/108
D623,132 S * 9/2010 Yano D13/108
D636,395 S * 4/2011 Anderson et al. D14/434

D642,121 S * 7/2011 Lee et al. D13/108
D642,520 S * 8/2011 Chun et al. D13/108
D647,520 S * 10/2011 Wikel D14/253
D647,525 S * 10/2011 Seto D14/434
D648,325 S * 11/2011 Akana et al. D14/217
D649,932 S * 12/2011 Symons D13/108

* cited by examiner

Primary Examiner — Rosemary K Tarcza

(57) **CLAIM**

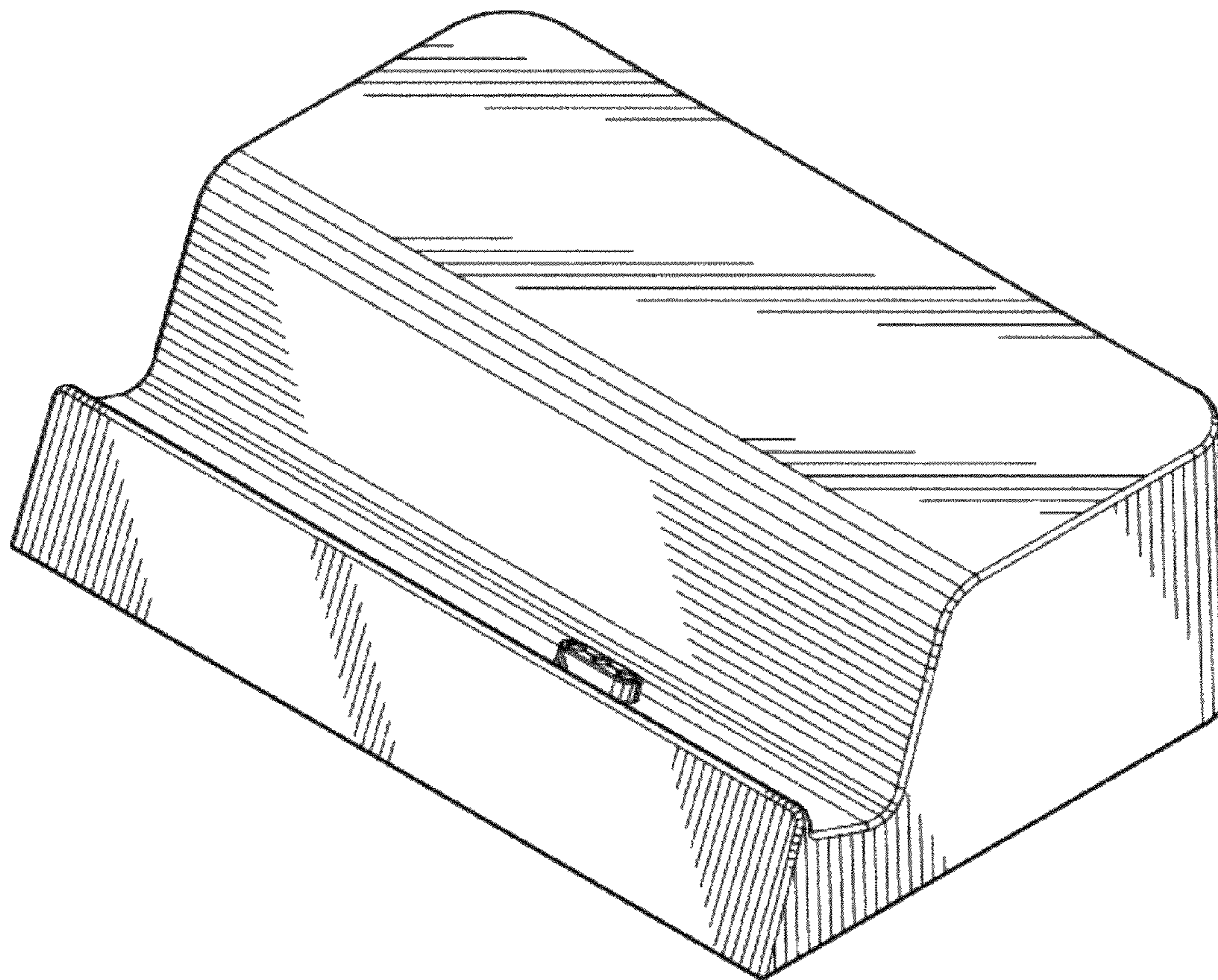
We claim the ornamental design for a charging dock, as shown and described.

DESCRIPTION

FIG. 1 is a top perspective view of a charging dock;
FIG. 2 is a bottom perspective view of the charging dock;
FIG. 3 is a top plan view thereof;
FIG. 4 is a bottom plan view thereof;
FIG. 5 is a back elevational view thereof;
FIG. 6 is a front elevational view thereof;
FIG. 7 is a right elevational view thereof; and,
FIG. 8 is a left elevational view thereof.

The broken lines shown in the drawings of the charging dock are for the purpose of illustrating portions of the article and form no part of the claimed design.

1 Claim, 6 Drawing Sheets



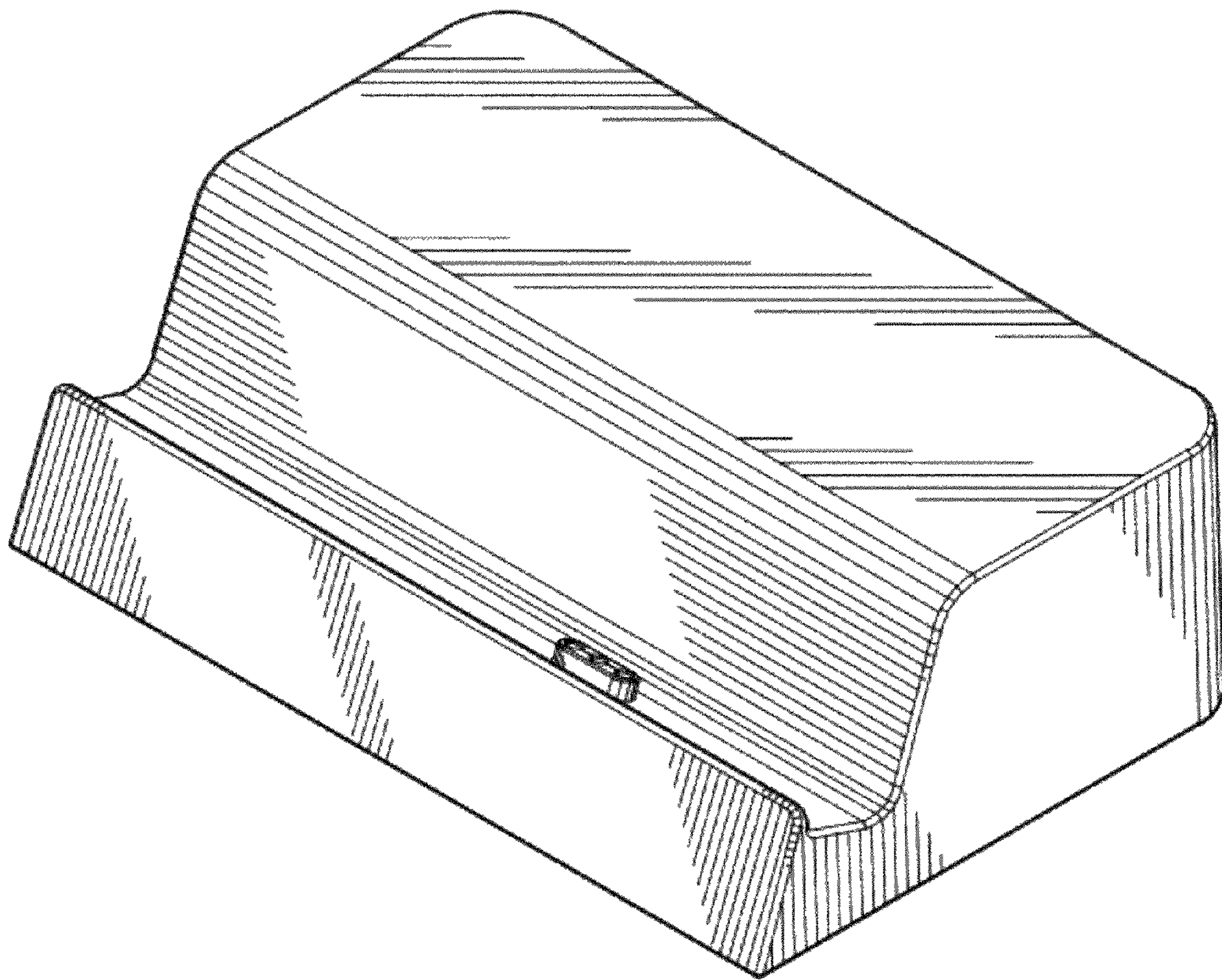


FIG. 1

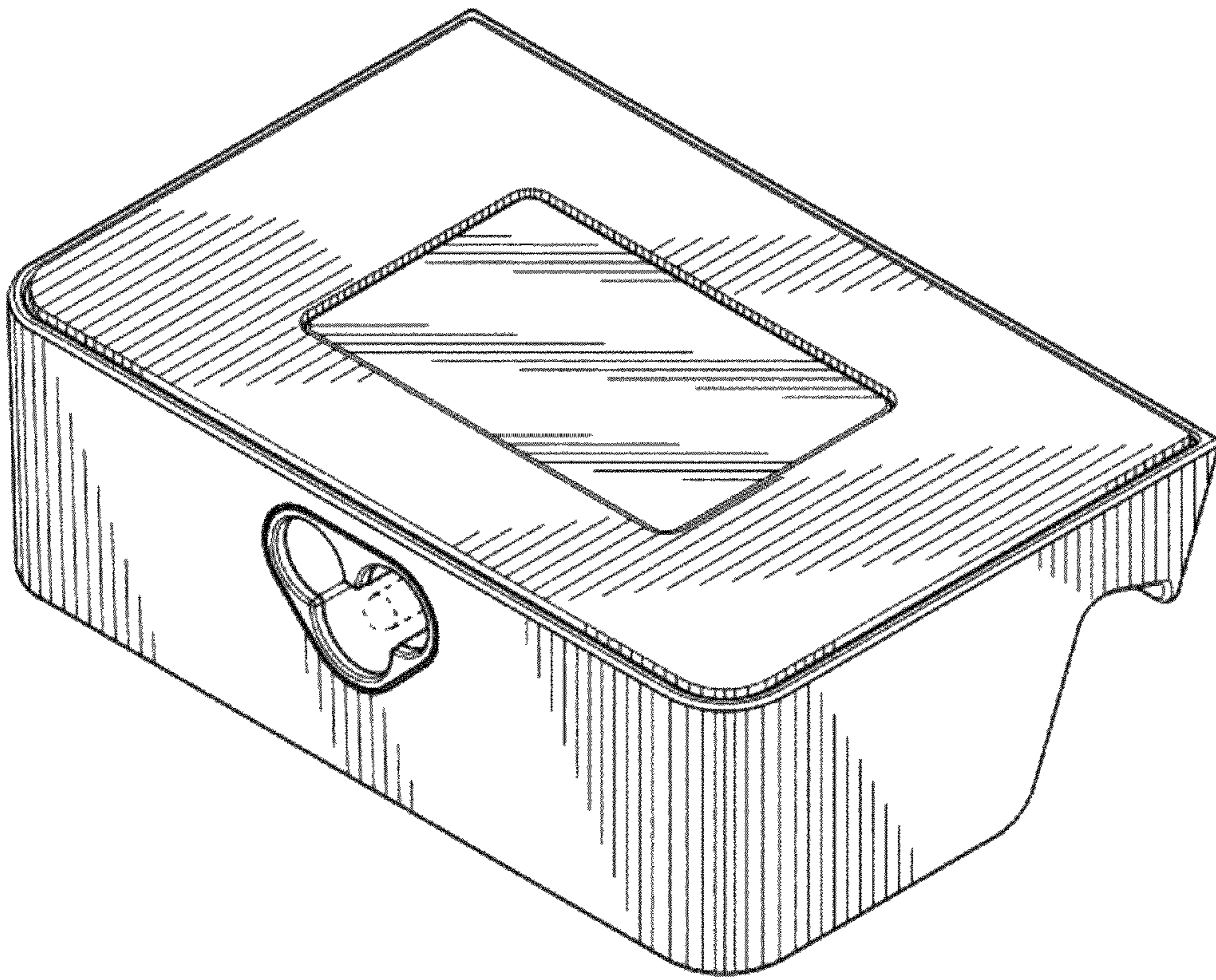


FIG.2

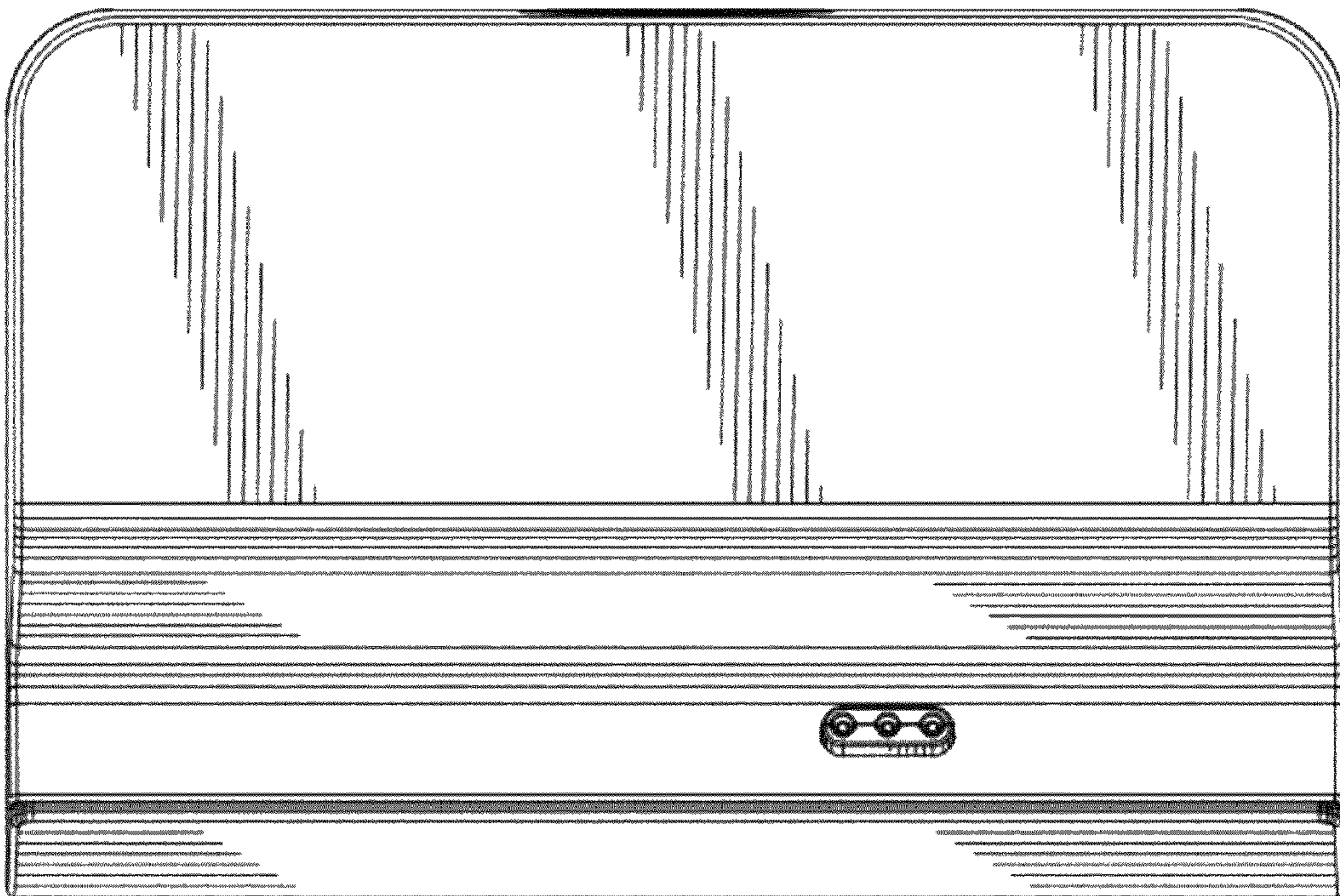


FIG.3

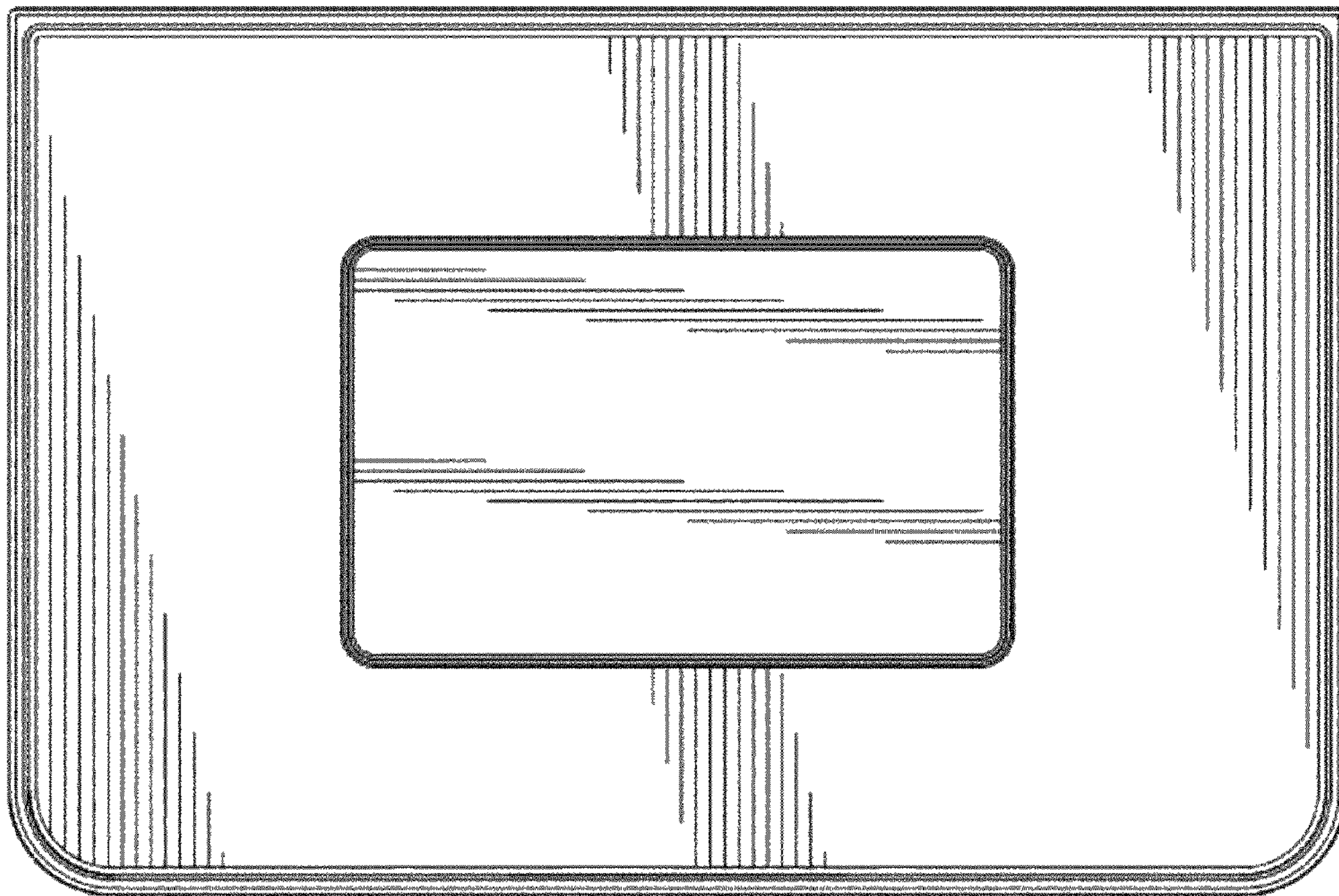


FIG.4

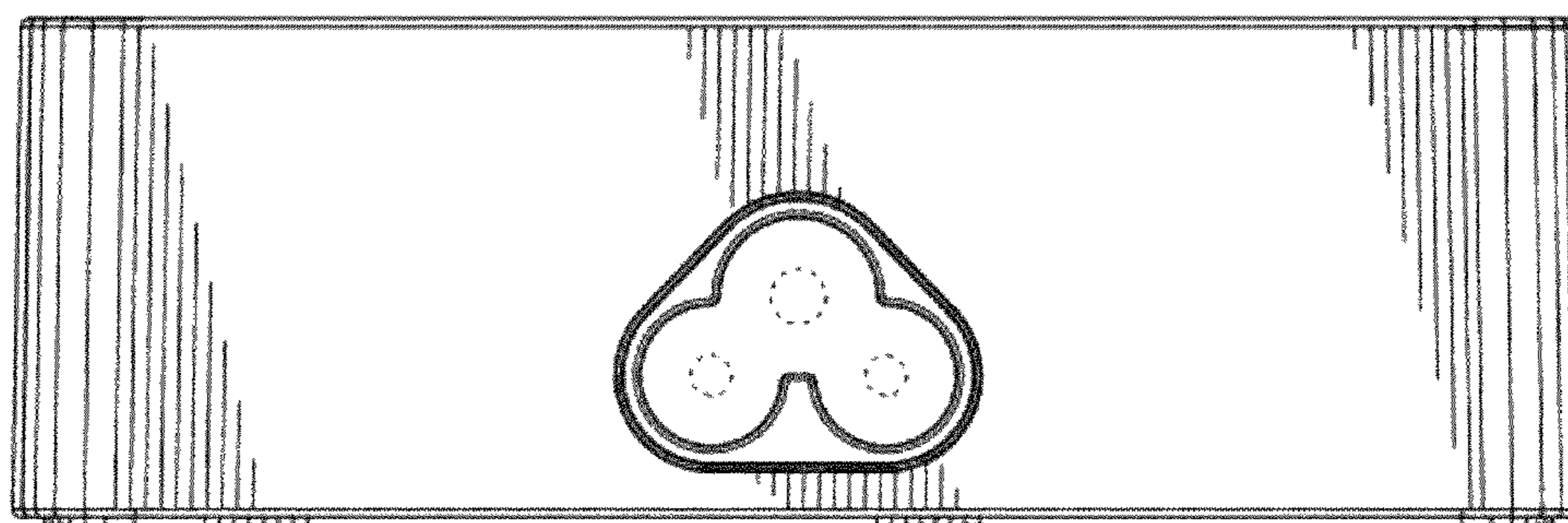


FIG. 5

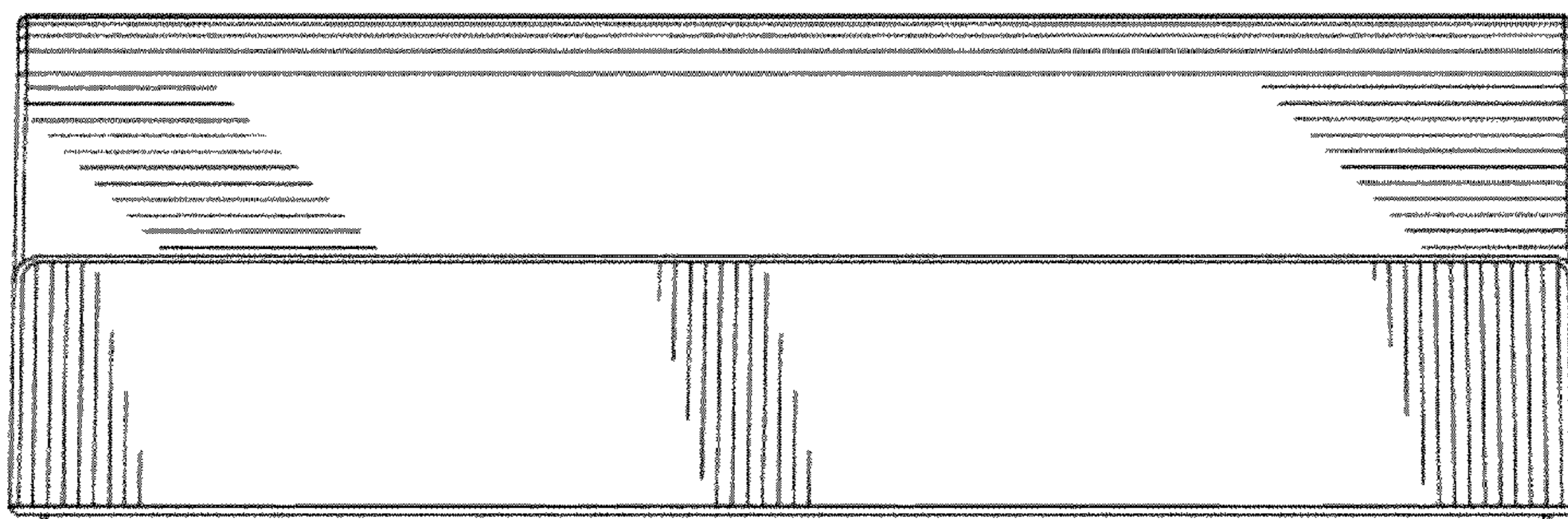


FIG. 6

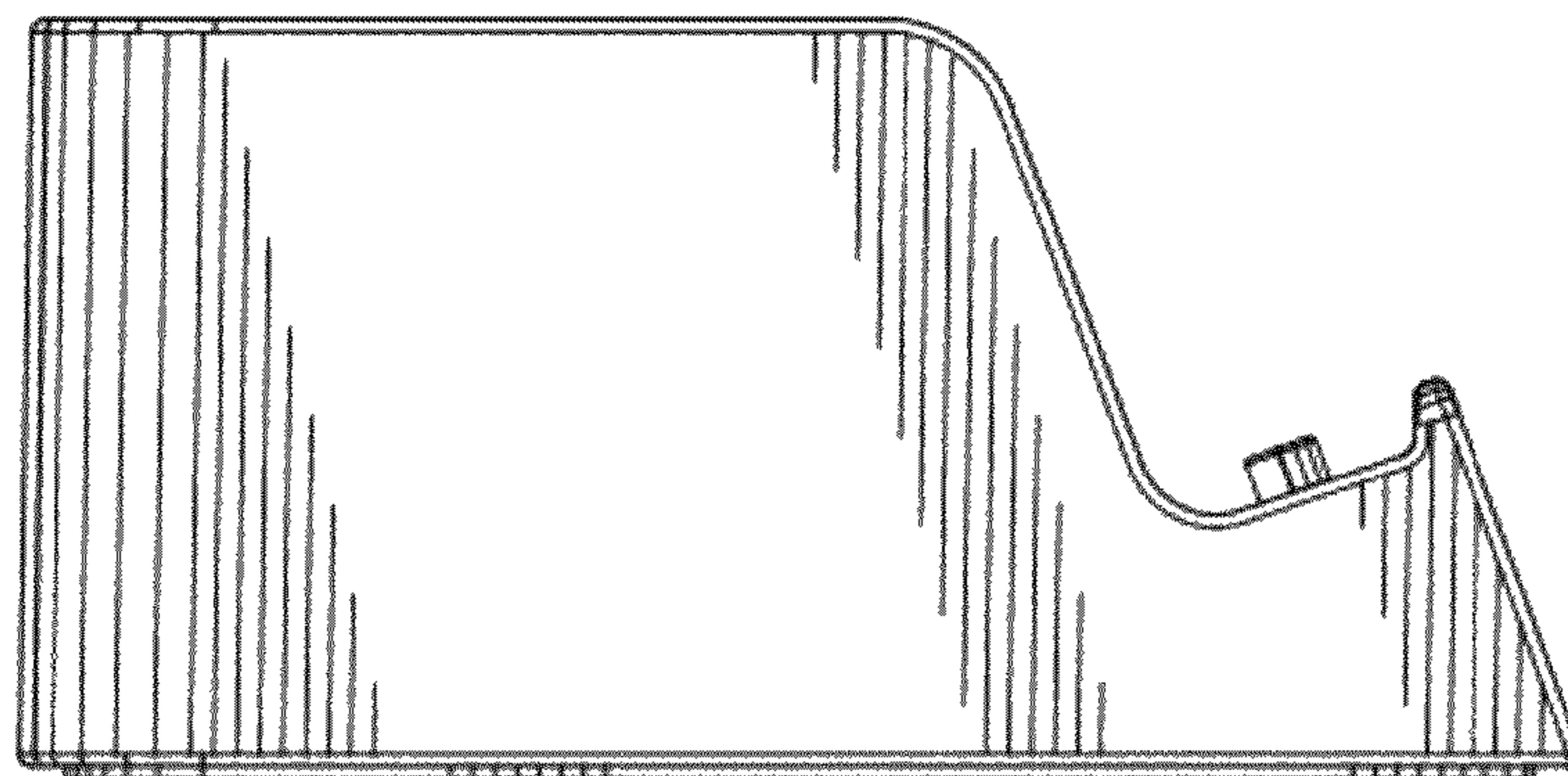


FIG. 7

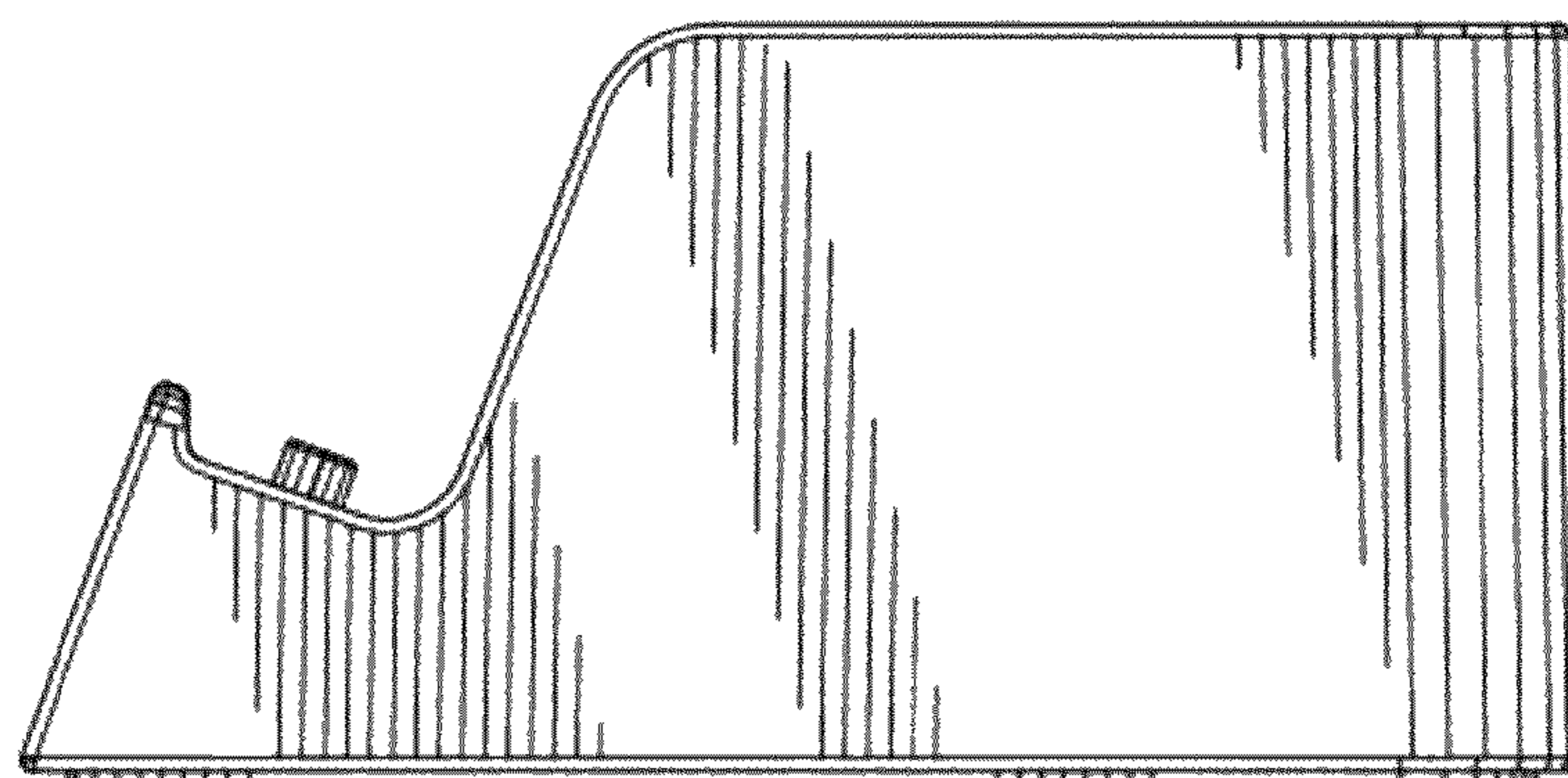


FIG. 8