



US00D657740S

(12) **United States Design Patent**  
**Prat-Pfister**

(10) **Patent No.:** **US D657,740 S**  
(45) **Date of Patent:** **\*\* Apr. 17, 2012**

(54) **STAND FOR THREE HEAD DRY SHAVER**

(75) Inventor: **Gaël Prat-Pfister**, Amersfoort (NL)

(73) Assignee: **Koninklijke Philips Electronics N.V.**,  
Eindhoven (NL)

(\*\*) Term: **14 Years**

(21) Appl. No.: **29/363,220**

(22) Filed: **Jun. 7, 2010**

(30) **Foreign Application Priority Data**

Jul. 12, 2009 (EM) ..... 001644220-0003

(51) **LOC (9) Cl.** ..... **13-01**

(52) **U.S. Cl.** ..... **D13/108**

(58) **Field of Classification Search** ..... D13/107-108;  
D6/526; 320/107-115; 206/208, 210; 211/13.1;  
248/309.1

See application file for complete search history.

(56) **References Cited**

**U.S. PATENT DOCUMENTS**

D423,845 S \* 5/2000 Coffin et al. .... D6/526

D554,116 S \* 10/2007 Liu et al. .... D13/108  
D559,485 S \* 1/2008 Fjellman et al. .... D13/108  
D563,868 S \* 3/2008 Christopher et al. .... D13/108  
D572,188 S \* 7/2008 Prat-Pfister ..... D13/108  
D631,007 S \* 1/2011 Smith et al. .... D13/108

\* cited by examiner

*Primary Examiner* — Brian N Vinson

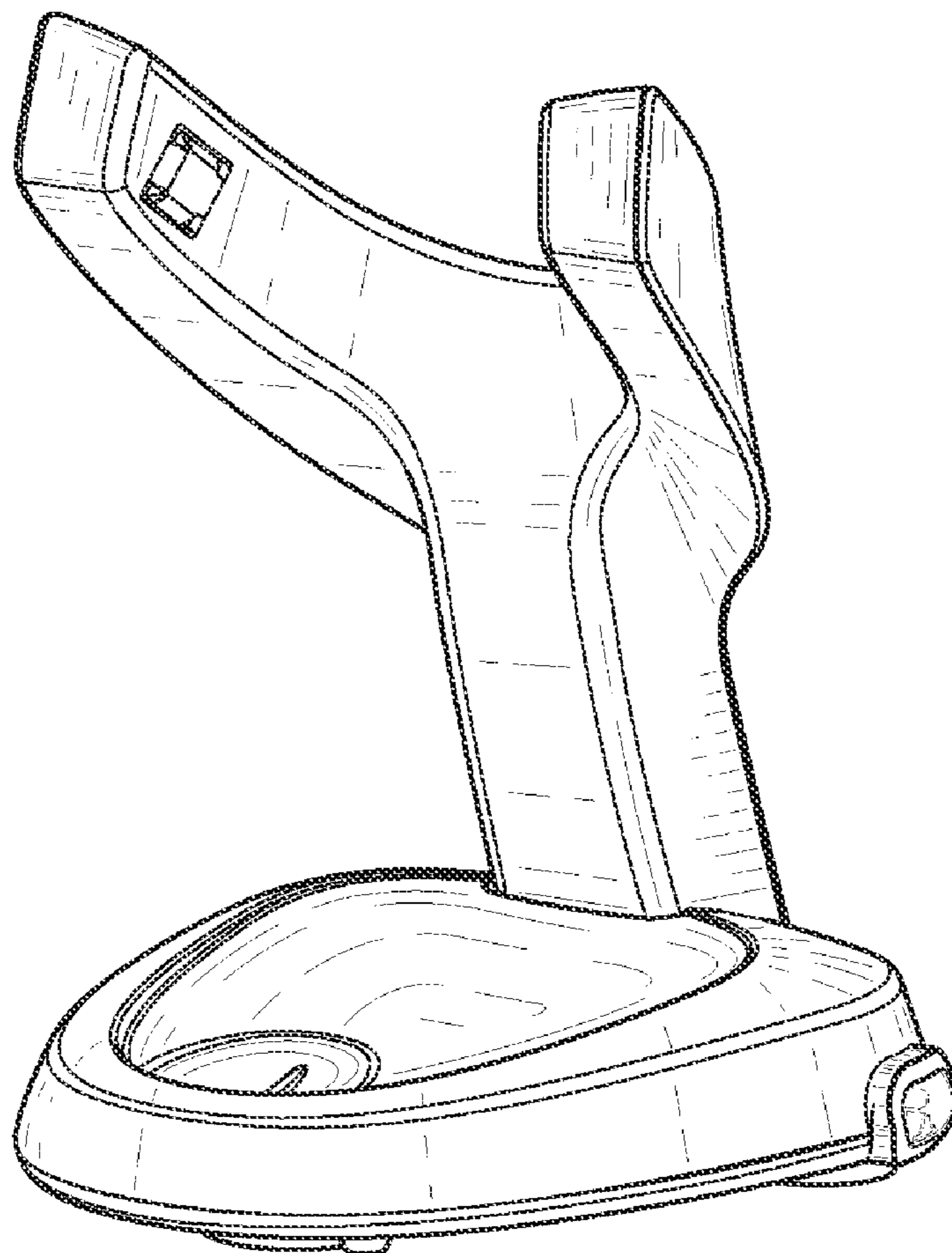
(57) **CLAIM**

The ornamental design for a stand for three head dry shaver, as shown and described.

**DESCRIPTION**

FIG. 1 is a perspective view showing my design;  
FIG. 2 is a front elevational view thereof;  
FIG. 3 is a rear elevational view thereof;  
FIG. 4 is a right side elevational view thereof;  
FIG. 5 is a left side elevational view thereof;  
FIG. 6 is a top plan view thereof; and,  
FIG. 7 is a bottom plan view thereof.  
The portions of the stand for three head dry shaver shown in broken lines form no part of the claimed design.

**1 Claim, 4 Drawing Sheets**



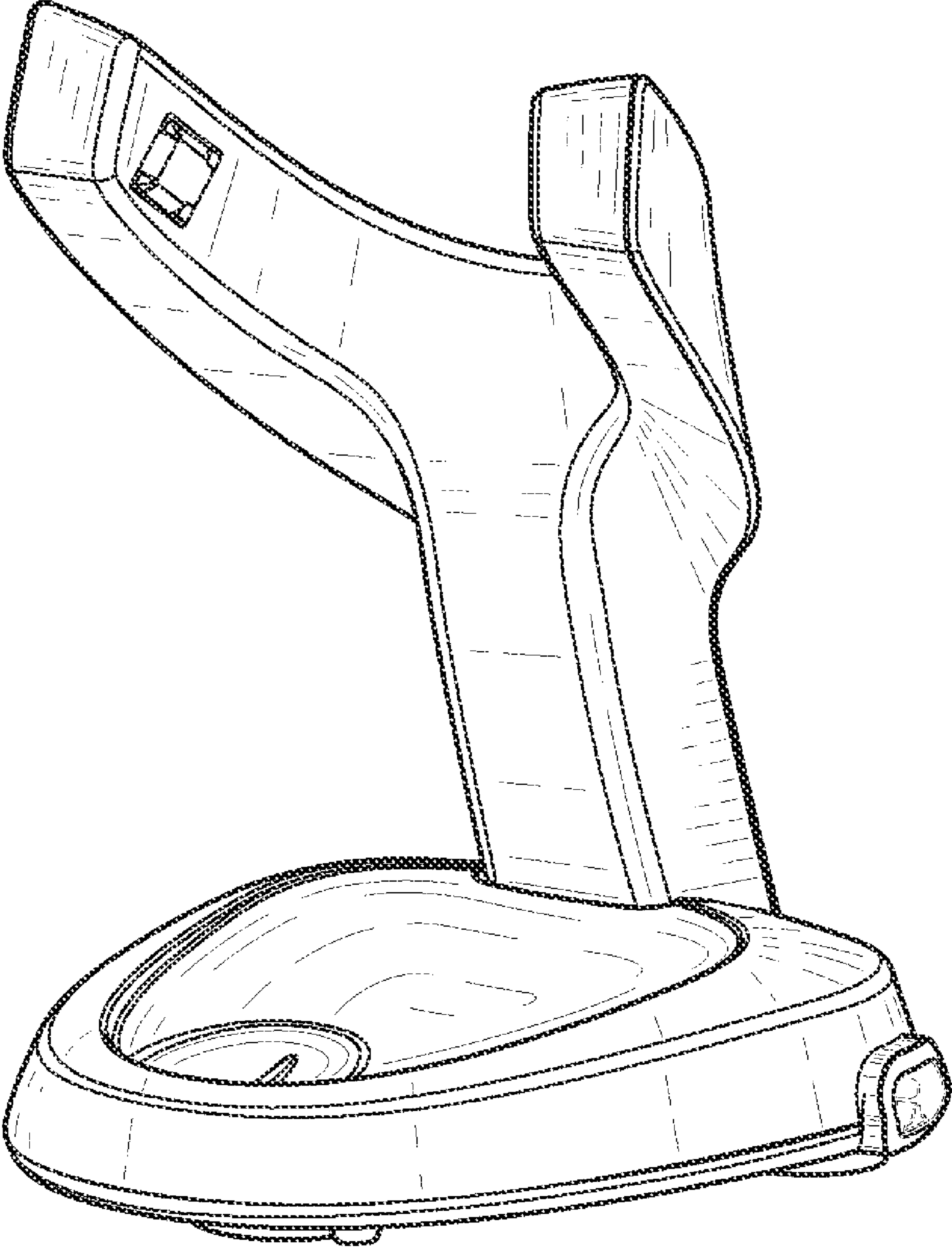


FIG. 1

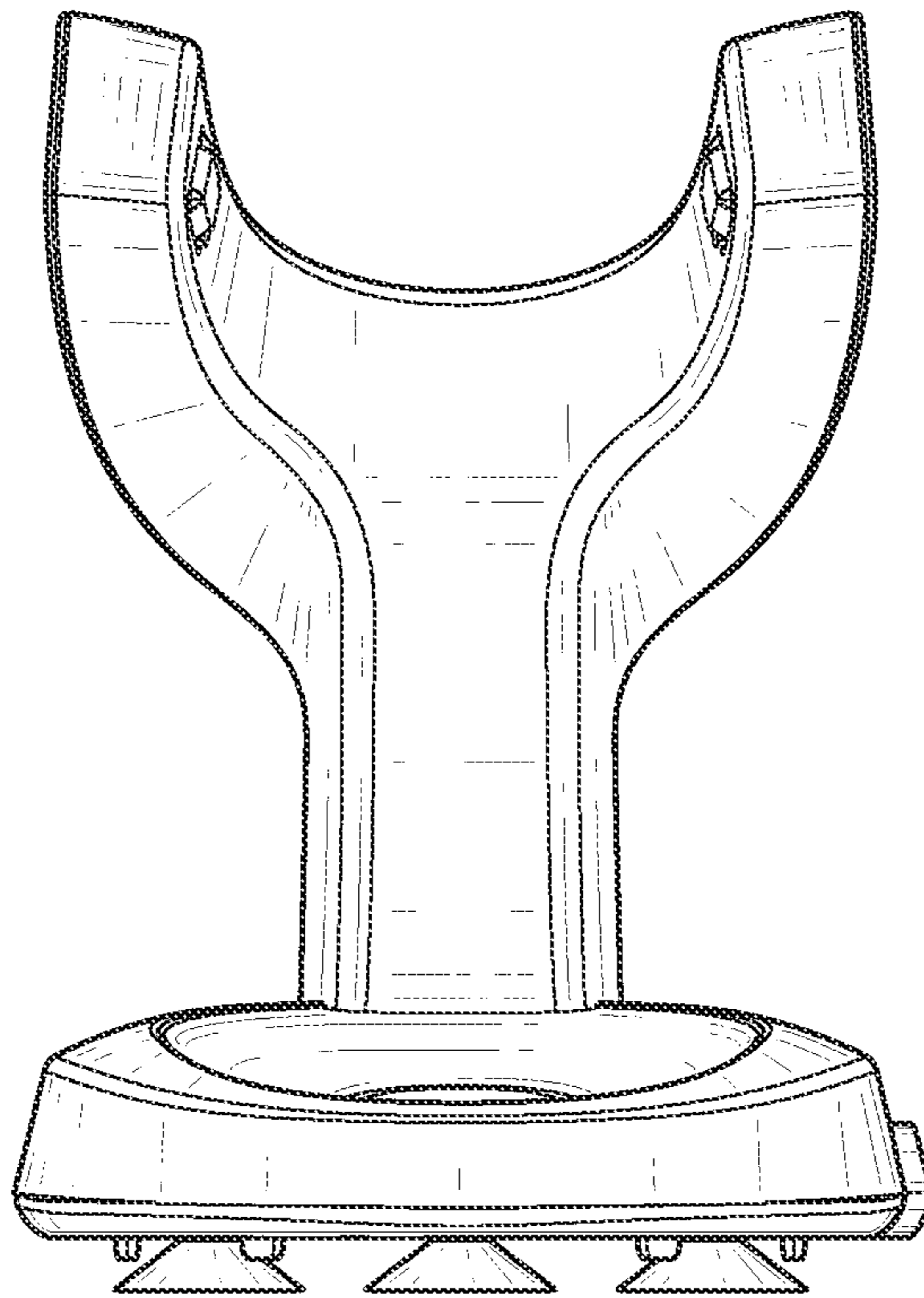


FIG. 2

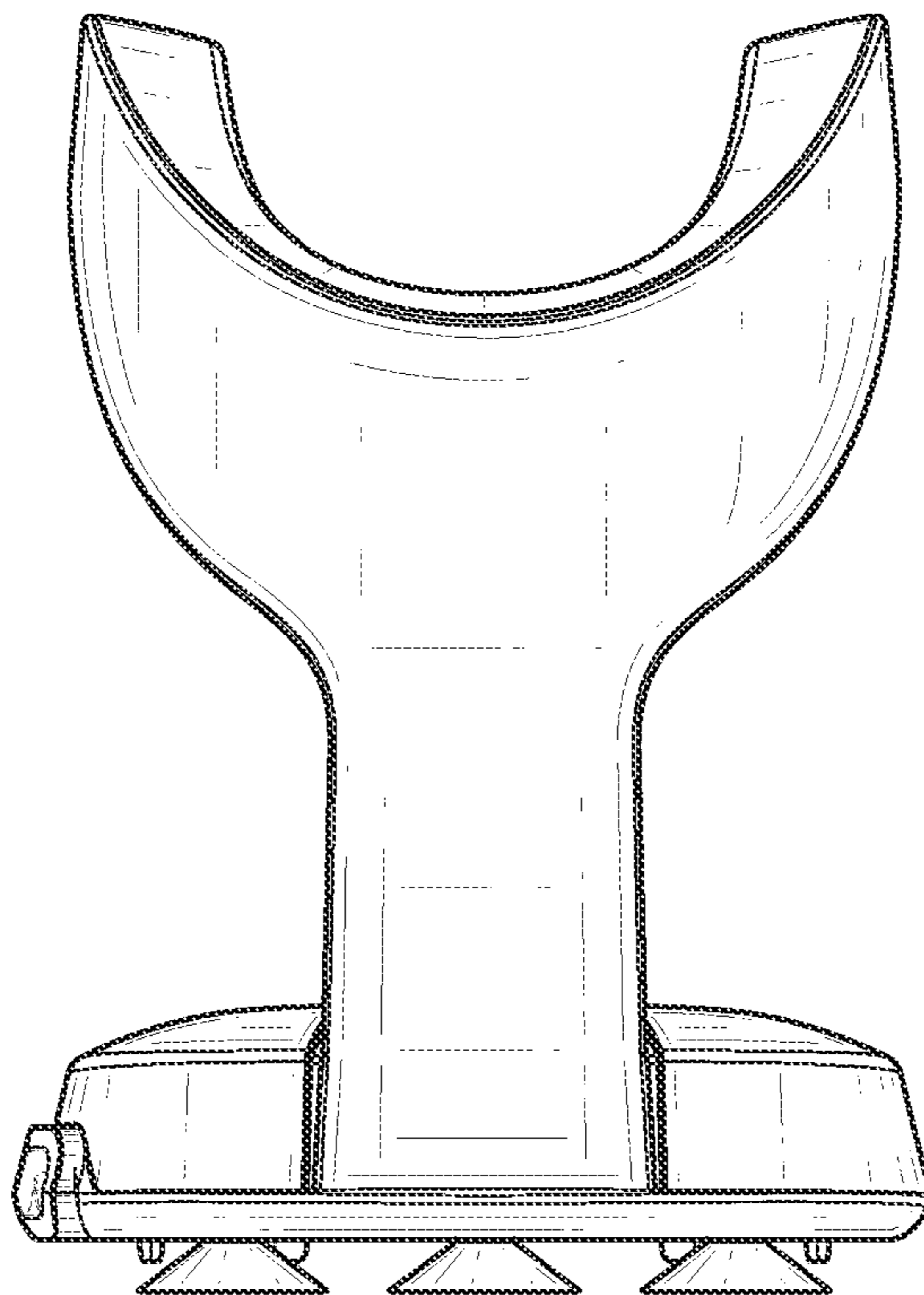


FIG. 3

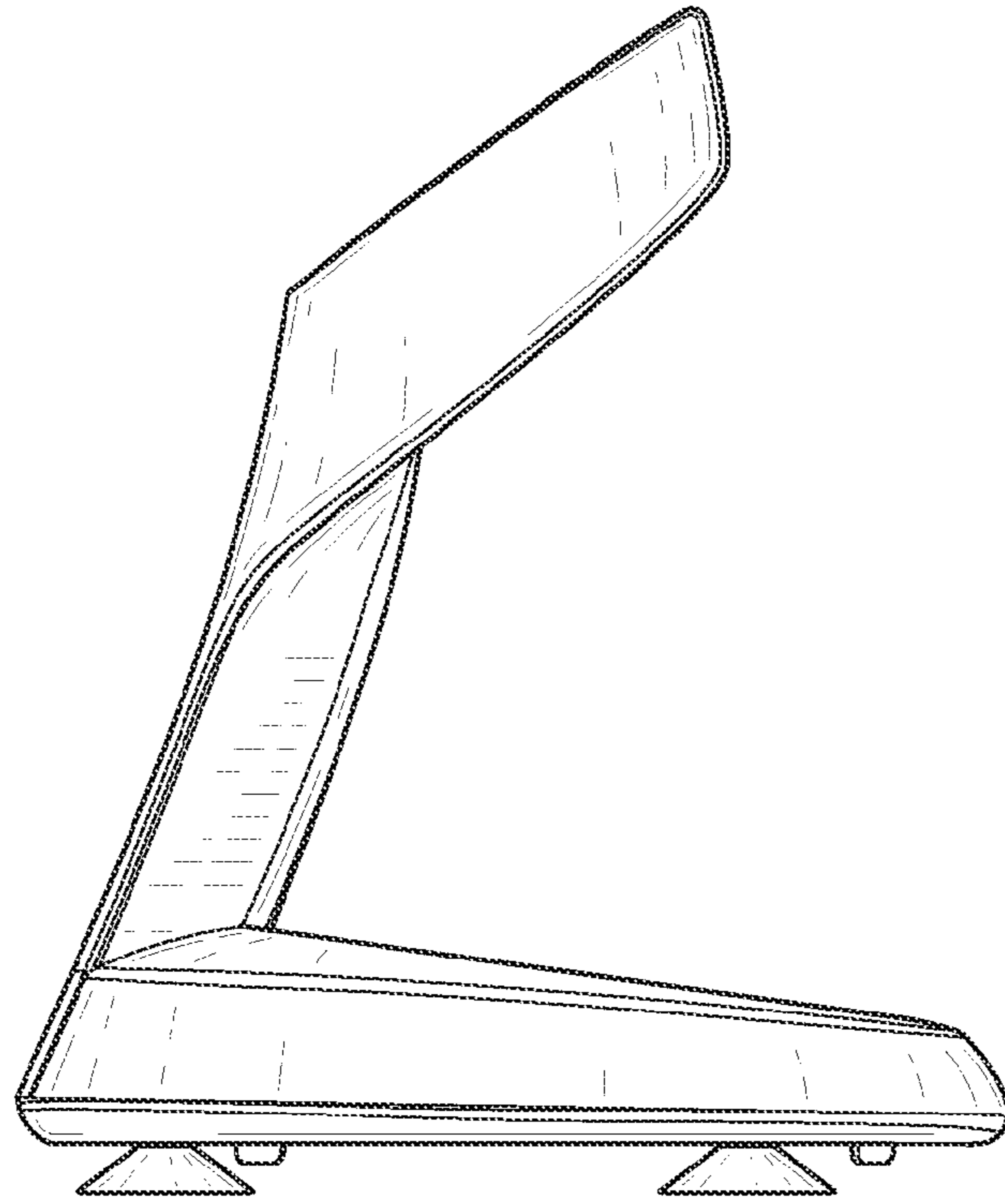


FIG. 4

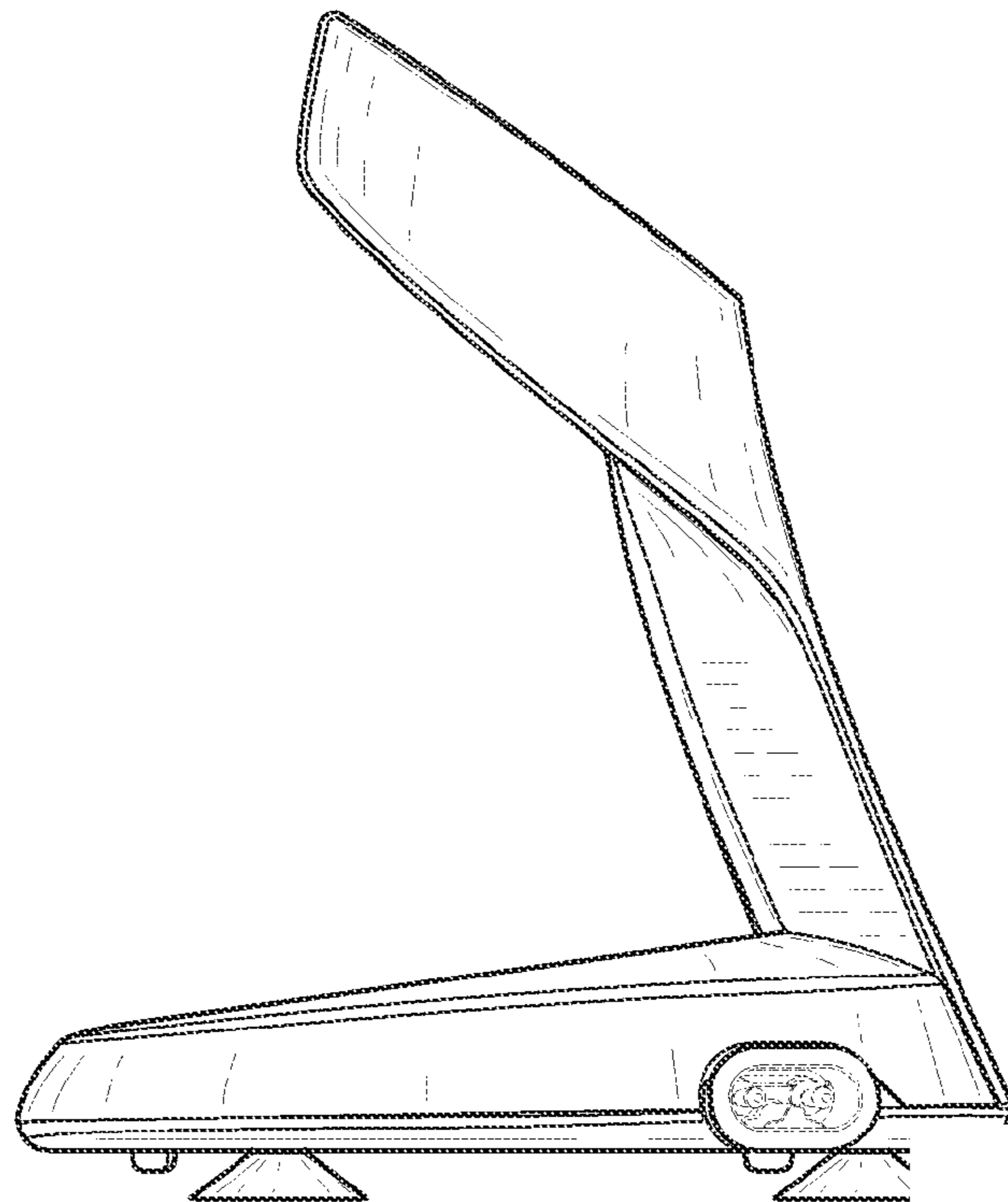


FIG. 5

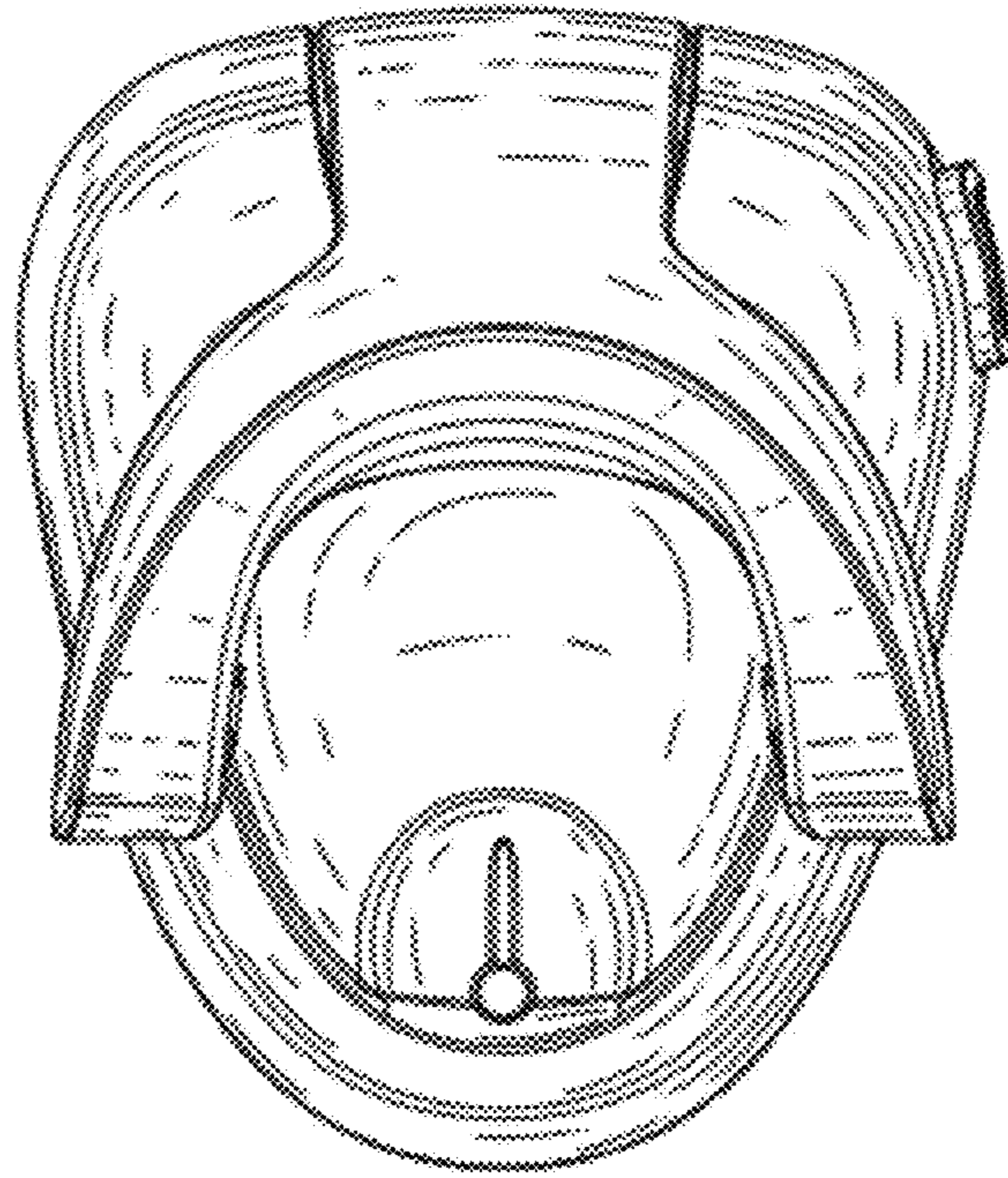


FIG. 6

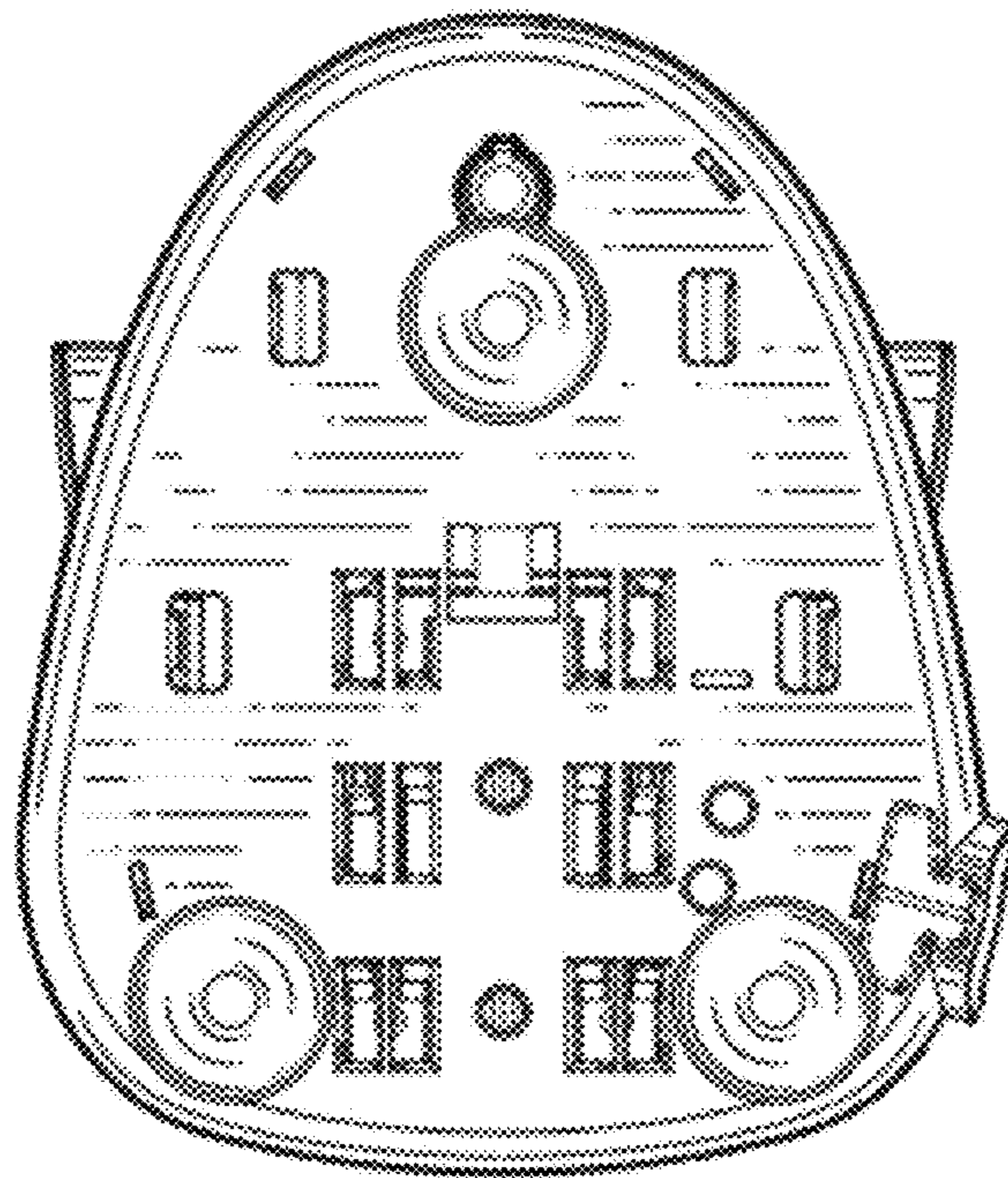


FIG. 7