



US00D657736S

(12) **United States Design Patent**  
**Mackler**

(10) **Patent No.:** **US D657,736 S**  
(45) **Date of Patent:** **\*\* Apr. 17, 2012**

(54) **SOLAR POWER GENERATION ASSEMBLY**  
(75) Inventor: **Laurence Mackler**, New York, NY (US)  
(73) Assignee: **Solaire Generation, Inc.**, New York, NY (US)

4,841,278 A 6/1989 Tezuka et al.  
4,867,133 A 9/1989 Sadler  
4,966,631 A 10/1990 Matlin et al.  
4,989,124 A 1/1991 Shappell

(Continued)

(\*\*) Term: **14 Years**

FOREIGN PATENT DOCUMENTS  
CH 677415 5/1991  
(Continued)

(21) Appl. No.: **29/392,448**

(22) Filed: **May 20, 2011**

(51) **LOC (9) Cl.** ..... **13-02**

(52) **U.S. Cl.** ..... **D13/102**

(58) **Field of Classification Search** ..... D13/102,  
D13/101, 107, 184, 199; D25/56, 61, 68,  
D25/134; 52/173.3; 126/569, 571, 600,  
126/621, 623, 680, 906; 136/243-246, 251;  
248/49, 346.01, 346.02  
See application file for complete search history.

OTHER PUBLICATIONS  
International Preliminary Report on Patentability, International Application No. PCT/US2009/049625, dated Jan. 5, 2011.

(Continued)

*Primary Examiner* — Stella Reid  
*Assistant Examiner* — Derrick Holland  
(74) *Attorney, Agent, or Firm* — Byrne Poh LLP

(56) **References Cited**

U.S. PATENT DOCUMENTS

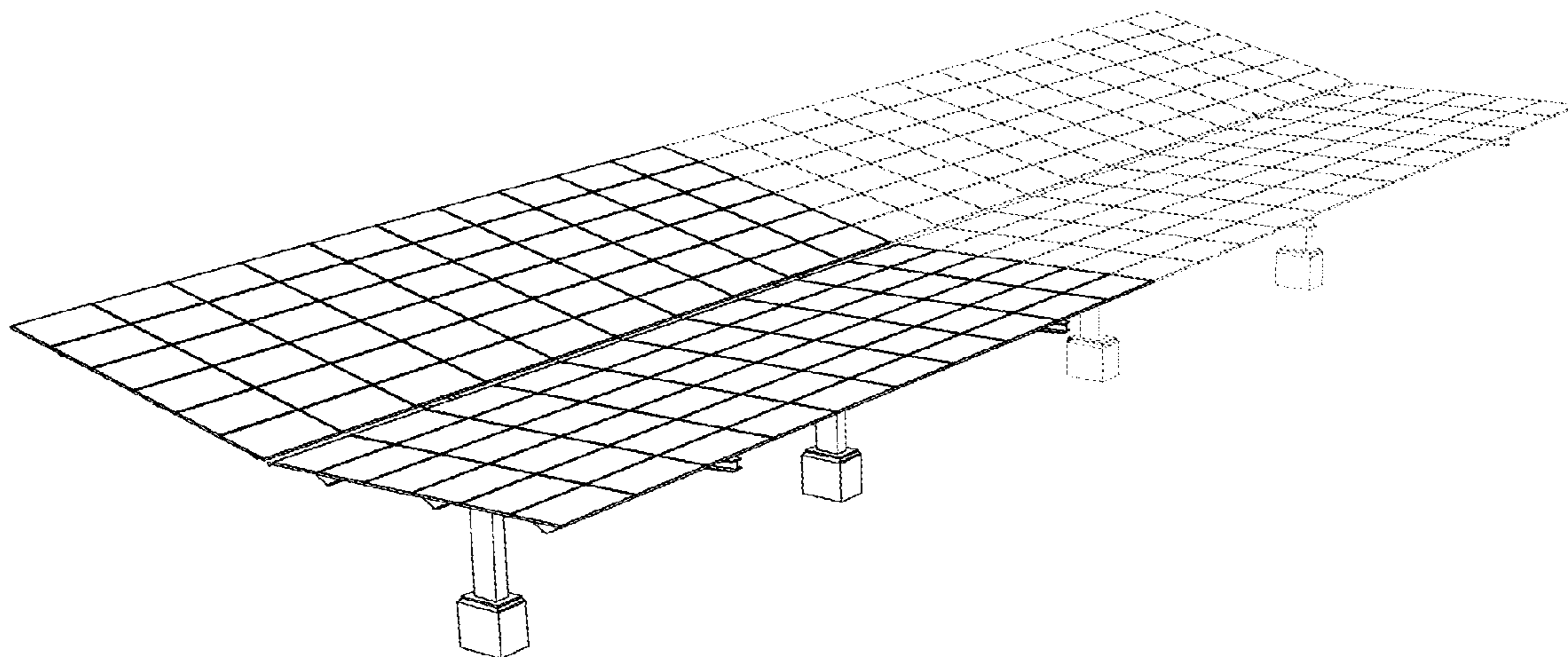
4,132,074 A 1/1979 Wendel  
4,149,523 A \* 4/1979 Boy-Marcotte et al. .... 126/589  
4,215,501 A 8/1980 Meijer  
4,245,895 A \* 1/1981 Wildenrotter ..... 359/848  
4,281,369 A 7/1981 Batte  
4,319,310 A 3/1982 Kingsley  
4,384,317 A 5/1983 Stackpole  
4,429,178 A \* 1/1984 Prideaux et al. .... 136/246  
4,432,341 A 2/1984 Howe et al.  
4,453,327 A 6/1984 Clarke  
4,484,104 A 11/1984 O'Brien  
4,611,090 A \* 9/1986 Catella et al. .... 136/251  
4,636,577 A 1/1987 Peterpaul  
4,649,899 A \* 3/1987 Moore ..... 126/578  
4,668,120 A 5/1987 Roberts  
4,742,291 A 5/1988 Bobier et al.  
4,827,645 A 5/1989 Stamps, Jr.  
4,832,001 A \* 5/1989 Baer ..... 126/579  
4,835,918 A 6/1989 Dippel

(57) **CLAIM**  
The ornamental design for a solar power generation assembly, as shown and described.

**DESCRIPTION**

FIG. 1 is a left side elevation view of a solar power generation assembly showing my new design; FIG. 2 is a front elevation view thereof; FIG. 3 is a left and bottom side perspective view thereof; FIG. 4 is a left and back side perspective view thereof; and, FIG. 5 is a top and left side perspective view thereof. The broken lines shown represent unclaimed subject matter and form no part of the claimed design. The broken lines immediately adjacent to the claimed areas in the views represent the boundaries of the design. None of the broken lines for any part of the claimed design,

**1 Claim, 5 Drawing Sheets**



# US D657,736 S

Page 2

## U.S. PATENT DOCUMENTS

5,228,924 A 7/1993 Barker et al.  
D353,129 S \* 12/1994 Ricaud et al. .... D13/102  
5,612,741 A 3/1997 Loban et al.  
5,807,440 A 9/1998 Kubota et al.  
D408,554 S 4/1999 Dinwoodie  
5,900,850 A 5/1999 Bailey et al.  
6,046,401 A 4/2000 McCabe  
6,049,035 A 4/2000 Tsuru et al.  
D425,013 S \* 5/2000 Lai ..... D13/102  
6,111,189 A 8/2000 Garvison  
6,260,319 B1 7/2001 Colomban  
6,263,601 B1 7/2001 Emert  
D452,328 S 12/2001 O'Brien  
D456,085 S 4/2002 O'Brien  
6,396,239 B1 5/2002 Benn et al.  
6,455,767 B1 9/2002 Muller  
6,495,750 B1 12/2002 Dinwoodie  
6,518,493 B1 2/2003 Murakami et al.  
6,572,173 B2 6/2003 Muller  
6,631,591 B1 10/2003 Durham  
6,784,357 B1 8/2004 Wang  
D505,113 S \* 5/2005 Lam ..... D13/107  
6,930,237 B2 8/2005 Mattiuzzo  
D511,576 S 11/2005 Shingleton et al.  
D535,584 S 1/2007 Garrett  
7,227,078 B2 6/2007 Jongerden et al.  
7,237,360 B2 7/2007 Moncho et al.  
D564,443 S 3/2008 Moore  
D565,505 S \* 4/2008 Shugar et al. .... D13/102  
D571,716 S 6/2008 Anderson  
D584,223 S 1/2009 Cooper

7,501,713 B2 3/2009 Fein et al.  
7,509,762 B2 3/2009 Ajumobi  
D611,404 S 3/2010 Mackler  
D611,405 S 3/2010 Mackler  
2004/0065025 A1 4/2004 Durham  
2005/0035244 A1 2/2005 Conger  
2005/0045224 A1 3/2005 Lyden  
2005/0109384 A1 5/2005 Shingleton et al.  
2005/0241246 A1 11/2005 Sinha et al.  
2006/0011194 A1 1/2006 Hensley et al.  
2006/0090858 A1 5/2006 Heidenreich  
2006/0101683 A1 5/2006 Baker  
2006/0207192 A1 9/2006 Durham  
2006/0225776 A1 10/2006 Nemazi et al.  
2007/0212935 A1 9/2007 Lenox  
2008/0216418 A1 9/2008 Durham  
2008/0308091 A1 12/2008 Corio  
2009/0050194 A1 2/2009 Noble et al.

## FOREIGN PATENT DOCUMENTS

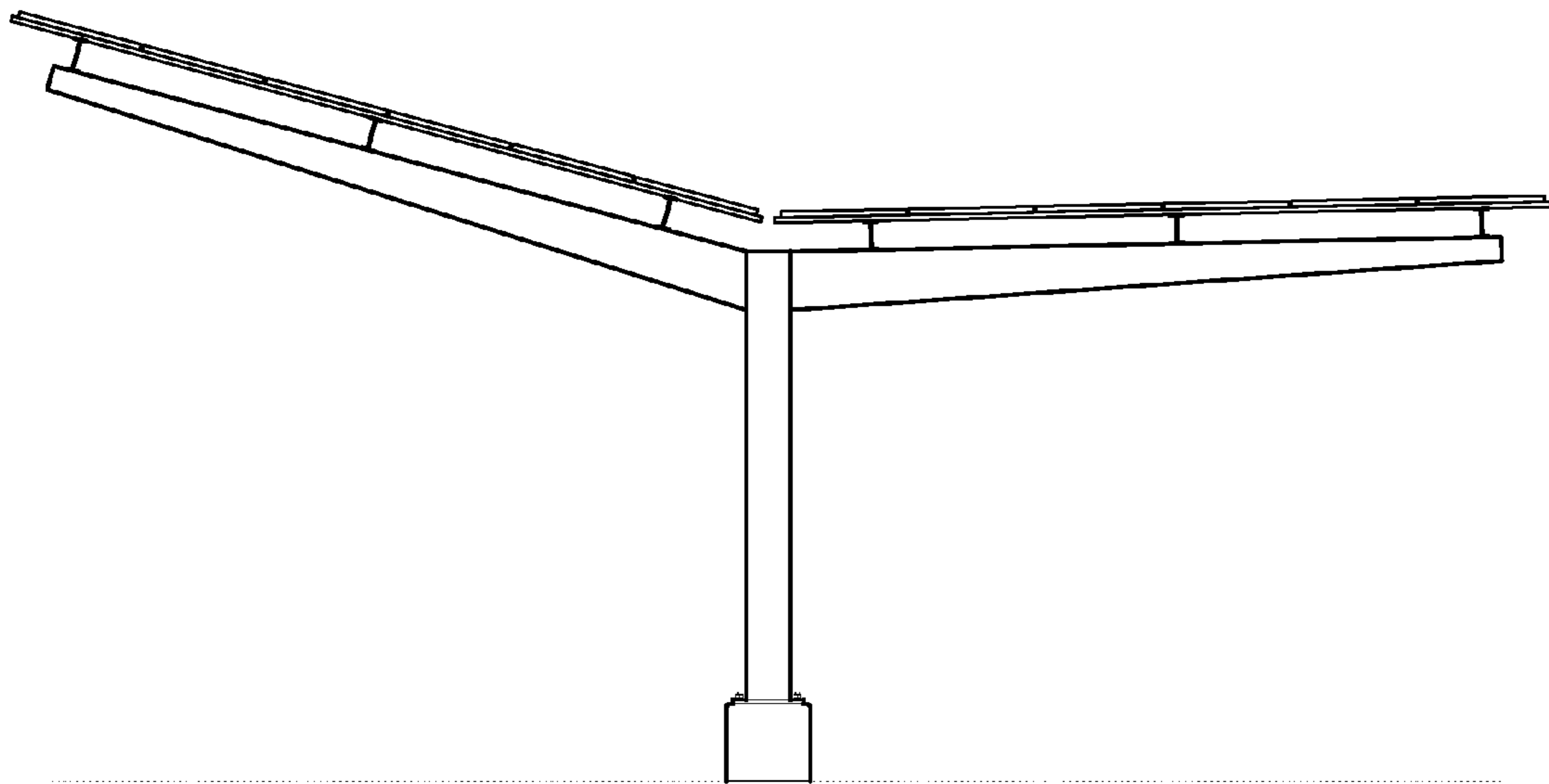
WO 97-36132 10/1997

## OTHER PUBLICATIONS

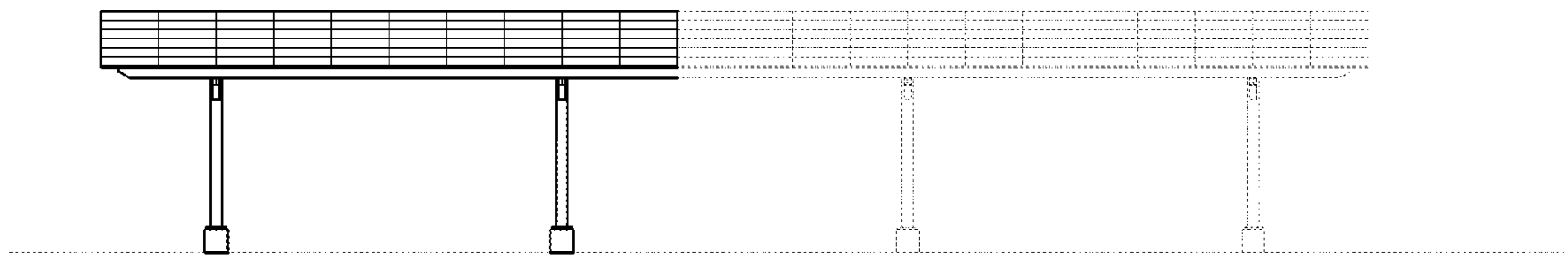
International Search Report, International Application No. PCT/US2009/049625, dated Oct. 26, 2009.  
International Preliminary Report on Patentability, International Application No. PCT/US2009/049595, dated Jan. 5, 2011.  
International Search Report, International Application No. PCT/US2009/049595, dated Aug. 27, 2009.

\* cited by examiner

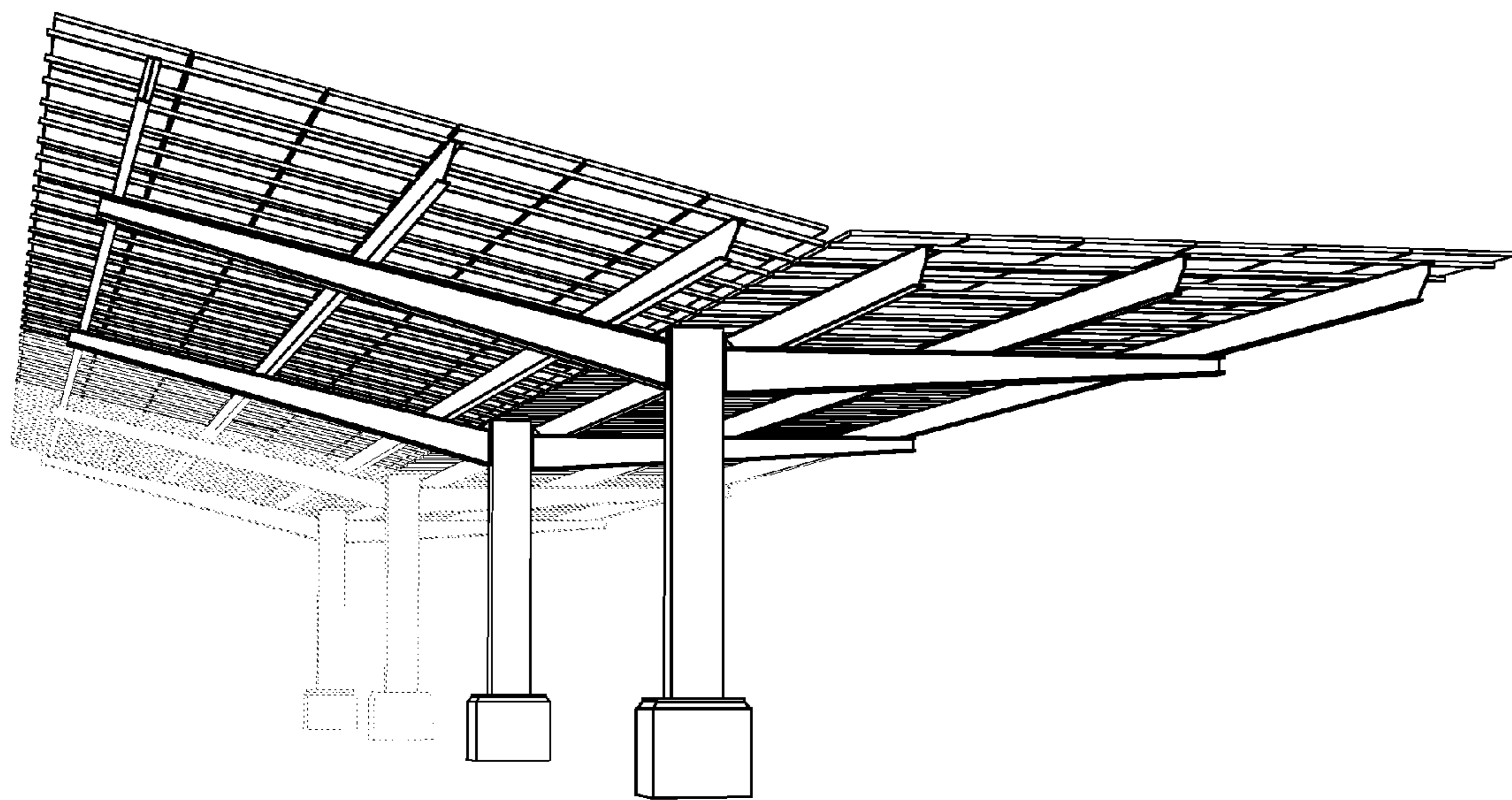
**FIG. 1**



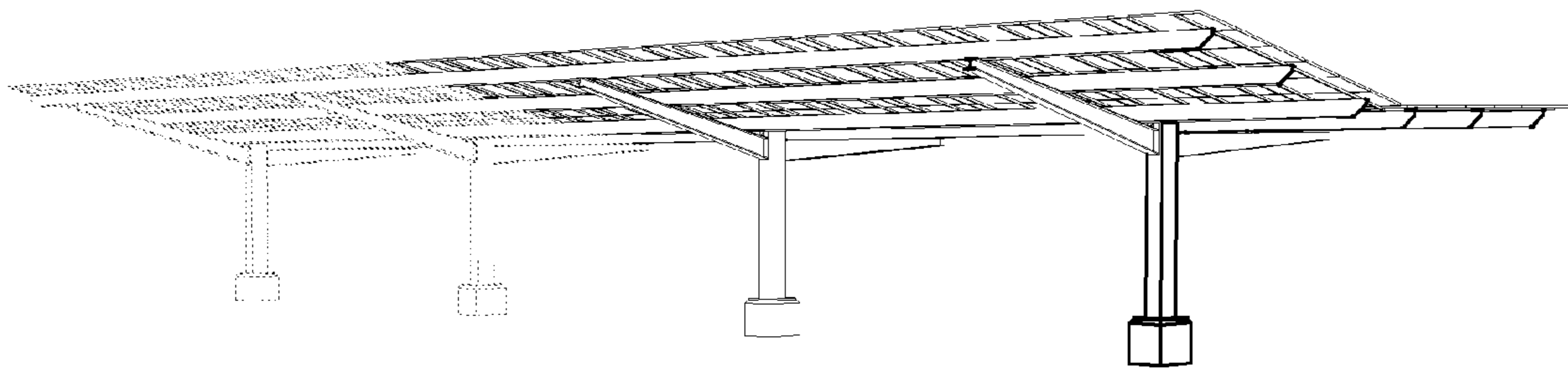
**FIG. 2**



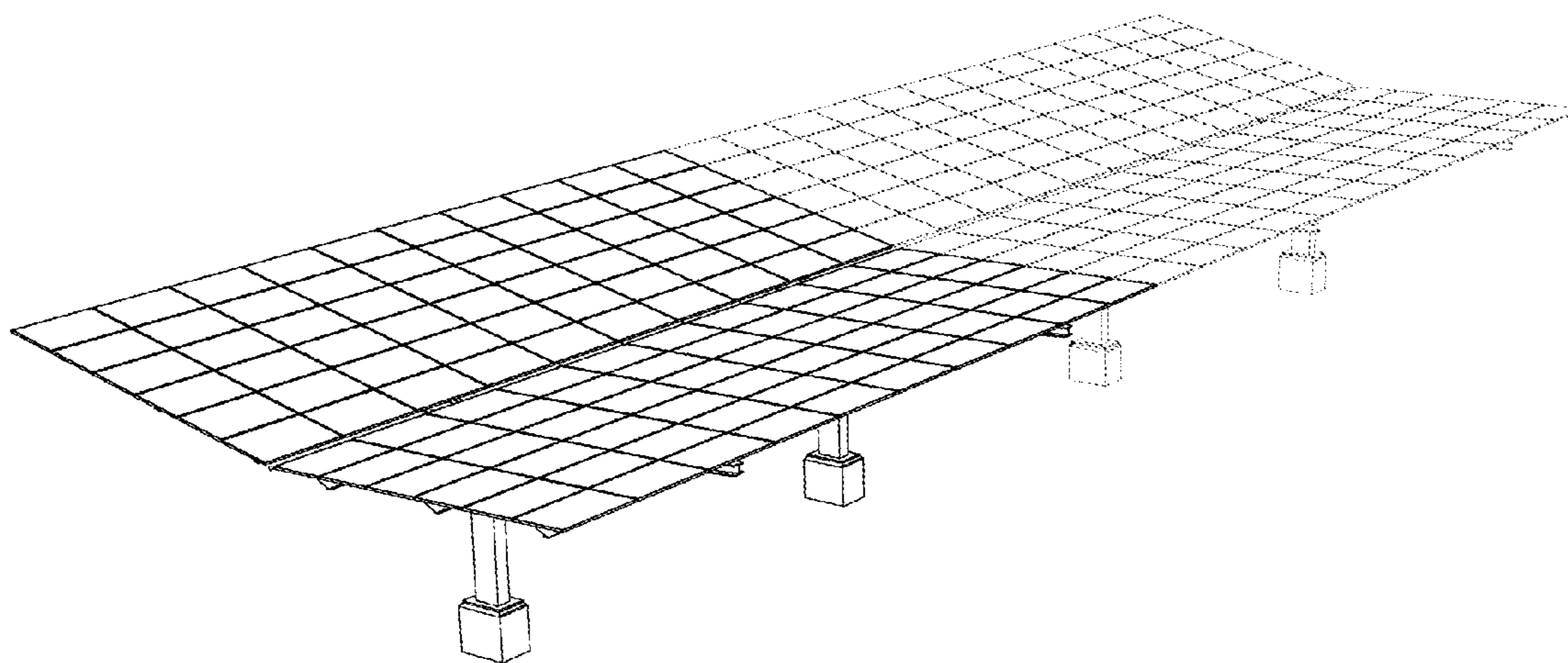
**FIG. 3**



**FIG. 4**



**FIG. 5**



UNITED STATES PATENT AND TRADEMARK OFFICE  
**CERTIFICATE OF CORRECTION**

PATENT NO. : D657,736 S  
APPLICATION NO. : 29/392448  
DATED : April 17, 2012  
INVENTOR(S) : Laurence Mackler

Page 1 of 1

It is certified that error appears in the above-identified patent and that said Letters Patent is hereby corrected as shown below:

On the title page, below item (57), in the DESCRIPTION, lines 10-11,  
“None of the broken lines for any part of the claimed design” should be --None of the broken lines  
form any part of the claimed design--.

Signed and Sealed this  
Twenty-ninth Day of March, 2016



Michelle K. Lee  
*Director of the United States Patent and Trademark Office*