



US00D657731S

(12) **United States Design Patent**
Fried

(10) **Patent No.:** **US D657,731 S**

(45) **Date of Patent:** **** Apr. 17, 2012**

(54) **SUNGLASSES HOLDER FOR A VEHICLE**

(76) Inventor: **Cynthia C. Fried**, Lake Mary, FL (US)

(**) Term: **14 Years**

(21) Appl. No.: **29/370,839**

(22) Filed: **Sep. 13, 2010**

(51) **LOC (9) Cl.** **12-16**

(52) **U.S. Cl.** **D12/417**

(58) **Field of Classification Search** D12/417,
D12/191, 106, 415; D8/394, 395; 296/97.1,
296/97.2, 97.3, 97.4, 97.5, 97.6, 97.7, 97.8,
296/180.1; 160/370.21, 370.23, 370.22
See application file for complete search history.

(56) **References Cited**

U.S. PATENT DOCUMENTS

2,365,802	A *	12/1944	Browse	401/82
D294,660	S *	3/1988	Strongwater	D12/417
D310,167	S *	8/1990	Reber, II	D12/417
5,975,476	A *	11/1999	Mancinelli	248/316.7
D462,166	S *	9/2002	Chan	D3/219
D482,268	S *	11/2003	Kushner	D8/394
6,658,702	B1 *	12/2003	Tucherman	24/11 CT
D489,764	S *	5/2004	Richardson et al.	D19/85
D563,217	S *	3/2008	Kushner	D8/395
2009/0160213	A1 *	6/2009	Paul et al.	296/180.1
2010/0096878	A1 *	4/2010	Wieczorek et al.	296/97.5

2010/0109377 A1* 5/2010 Calco 296/152
* cited by examiner

Primary Examiner — Caron D Veynar

Assistant Examiner — Katrina A Betton

(74) *Attorney, Agent, or Firm* — William M. Hobby, III

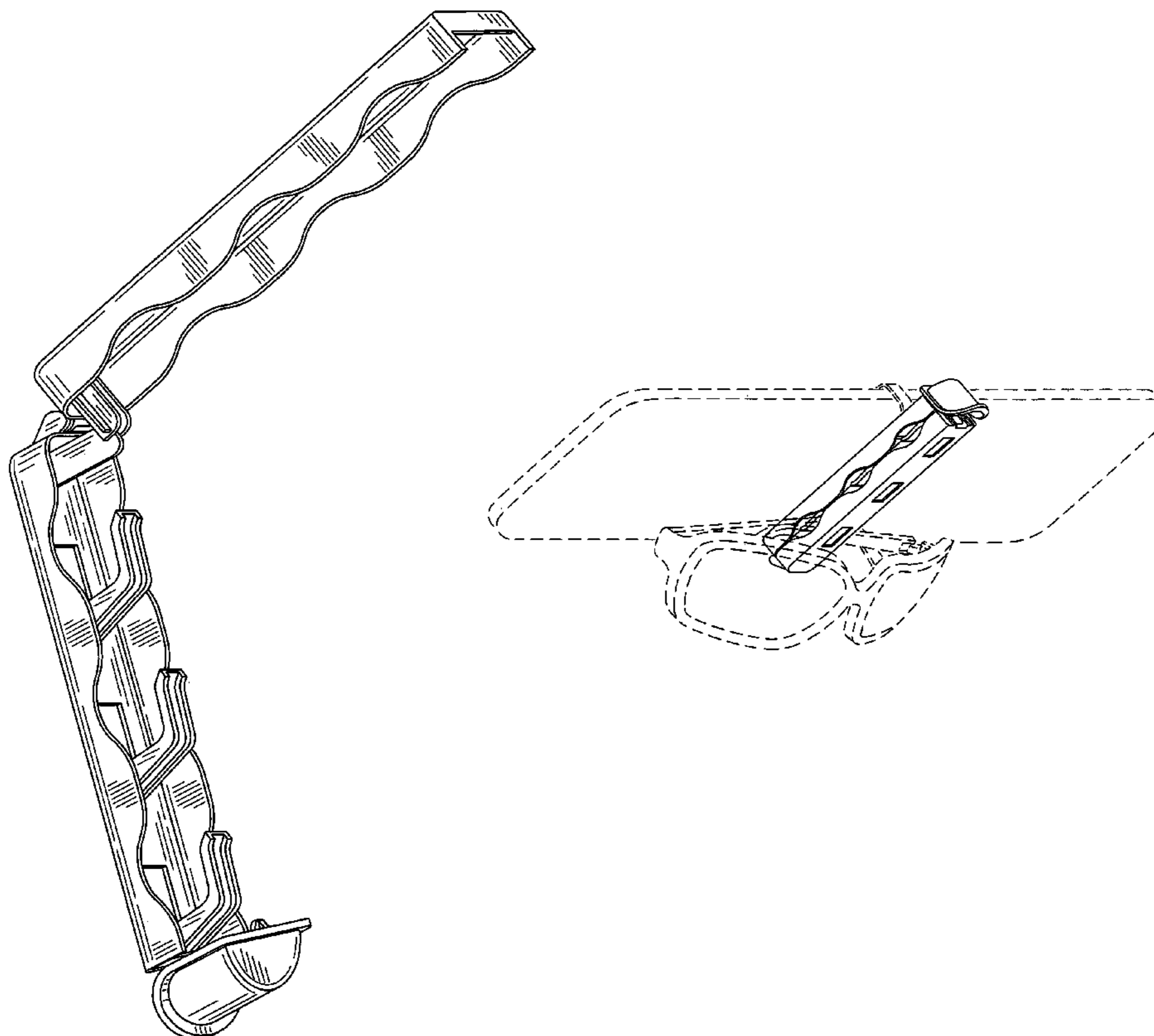
(57) **CLAIM**

The ornamental design for a sunglasses holder for a vehicle, as shown and described.

DESCRIPTION

FIG. 1 is a top left side perspective view of my new sunglasses holder for a vehicle;
FIG. 2 is a right side elevational view;
FIG. 3 is a top plan view;
FIG. 4 is a bottom plan view;
FIG. 5 is a front end elevational view;
FIG. 6 is a rear end elevational view;
FIG. 7 is a top left side perspective view of my sunglasses holder for a vehicle in an open position; and,
FIG. 8 is a top left side perspective view of my new sunglasses holder for a vehicle viewed mounted to a vehicle visor holding a pair of sunglasses.
The broken lines in FIG. 8 are for illustration purposes and form no part of the claimed design.

1 Claim, 3 Drawing Sheets



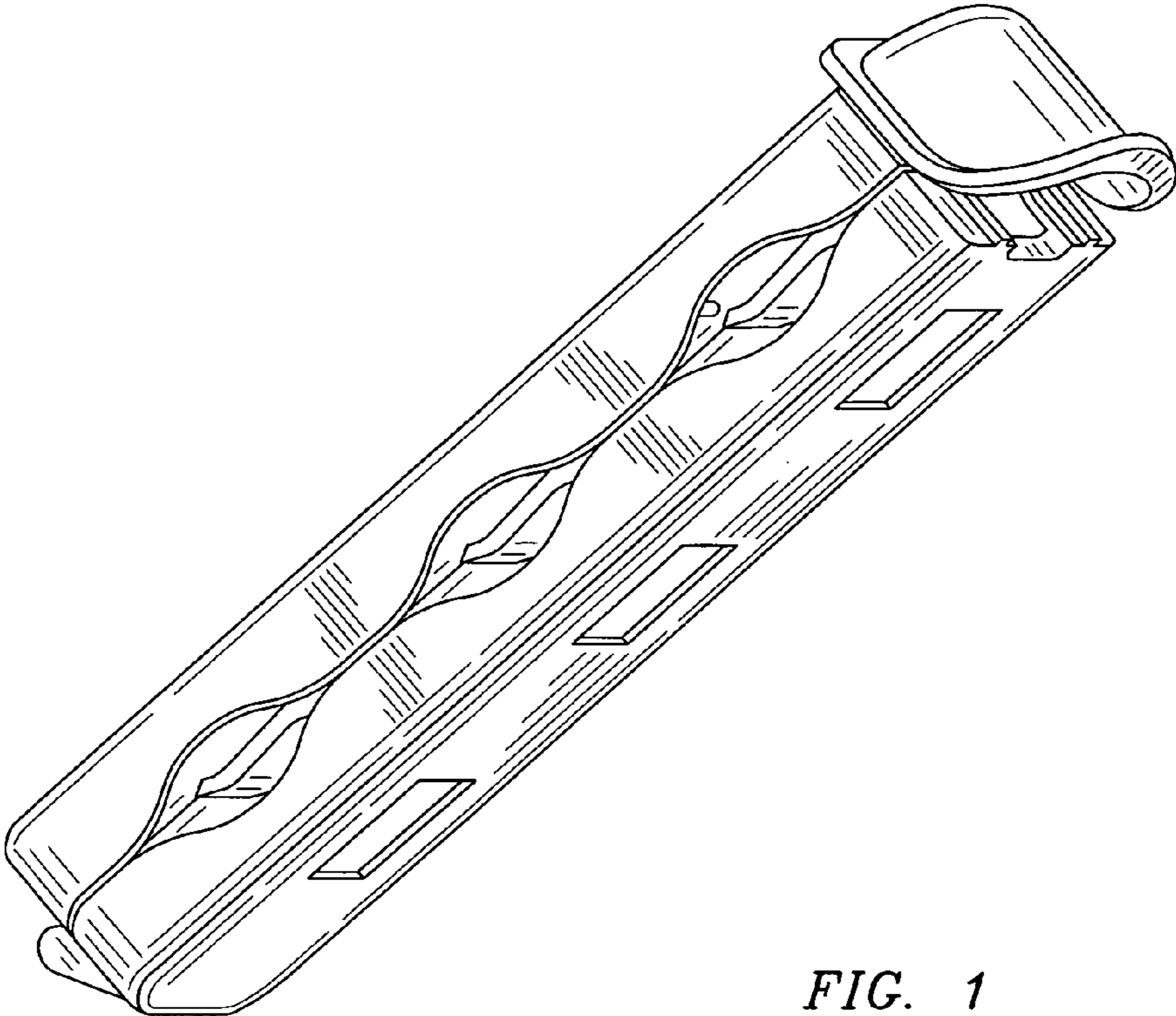


FIG. 1

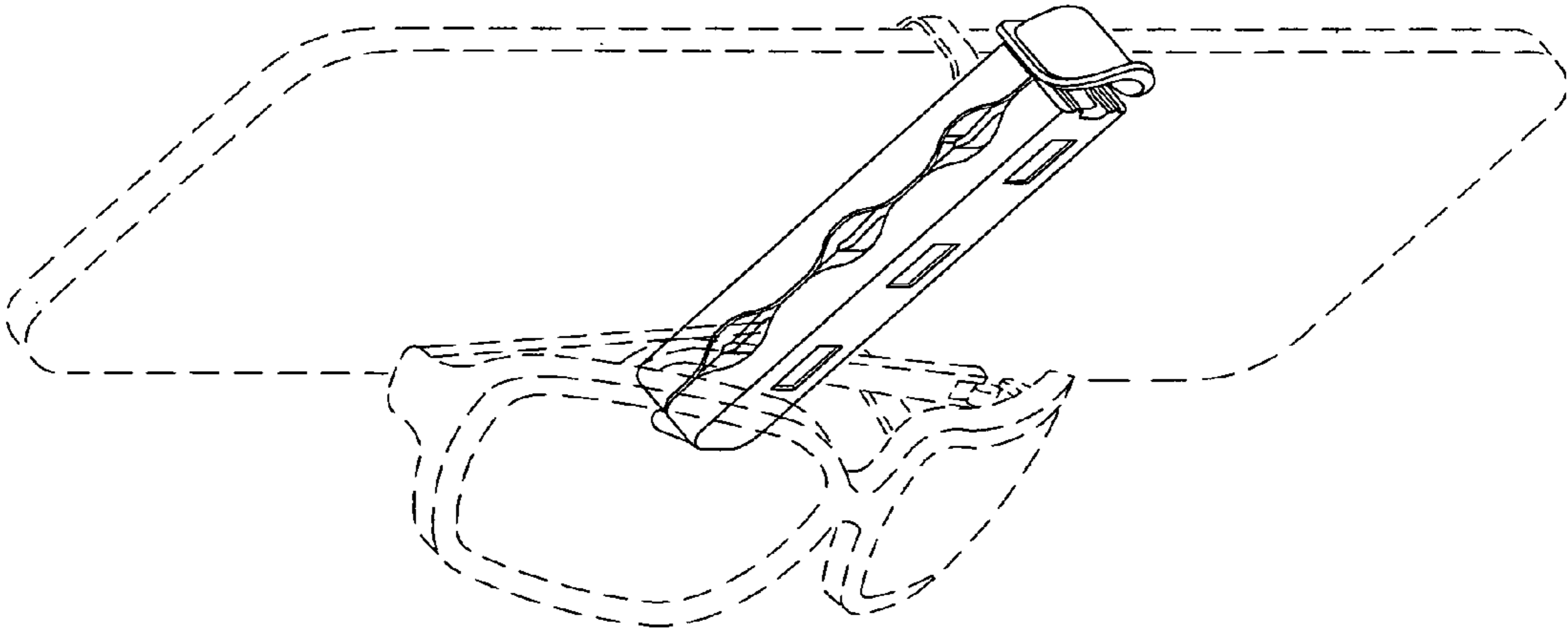
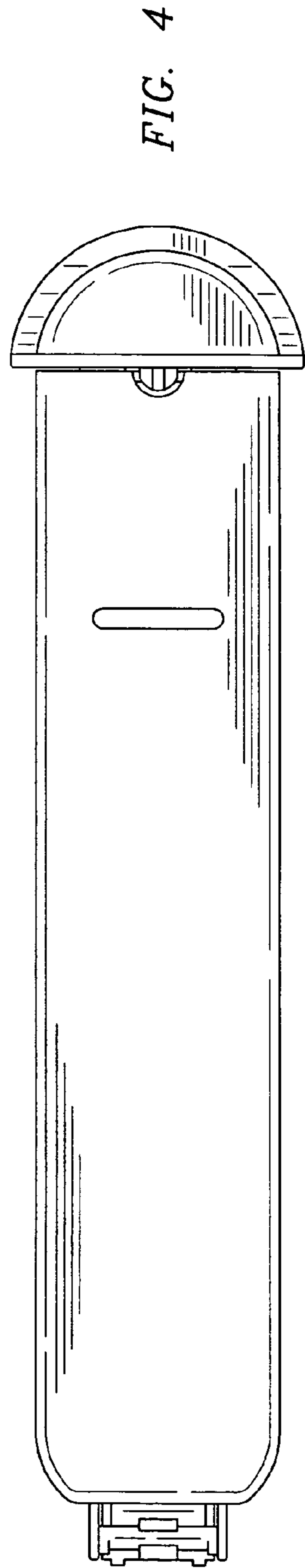
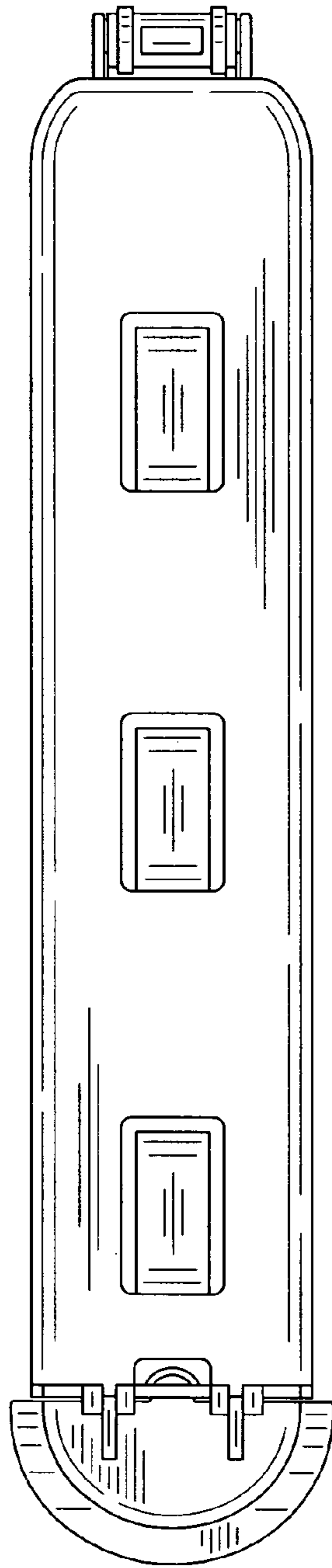
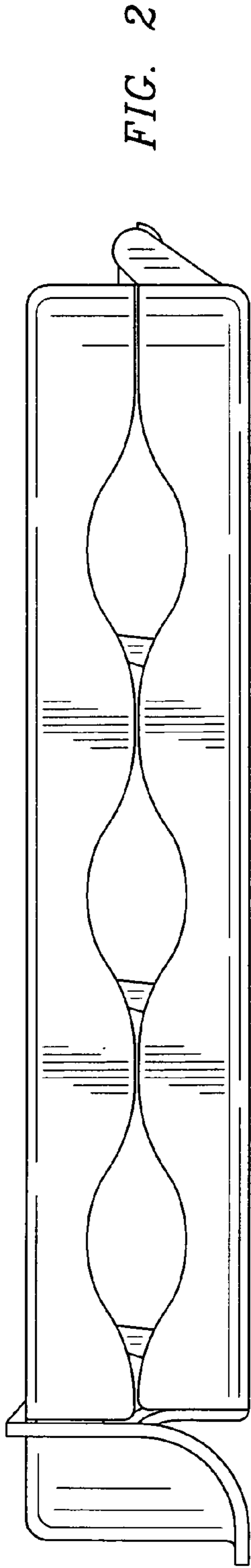


FIG. 8



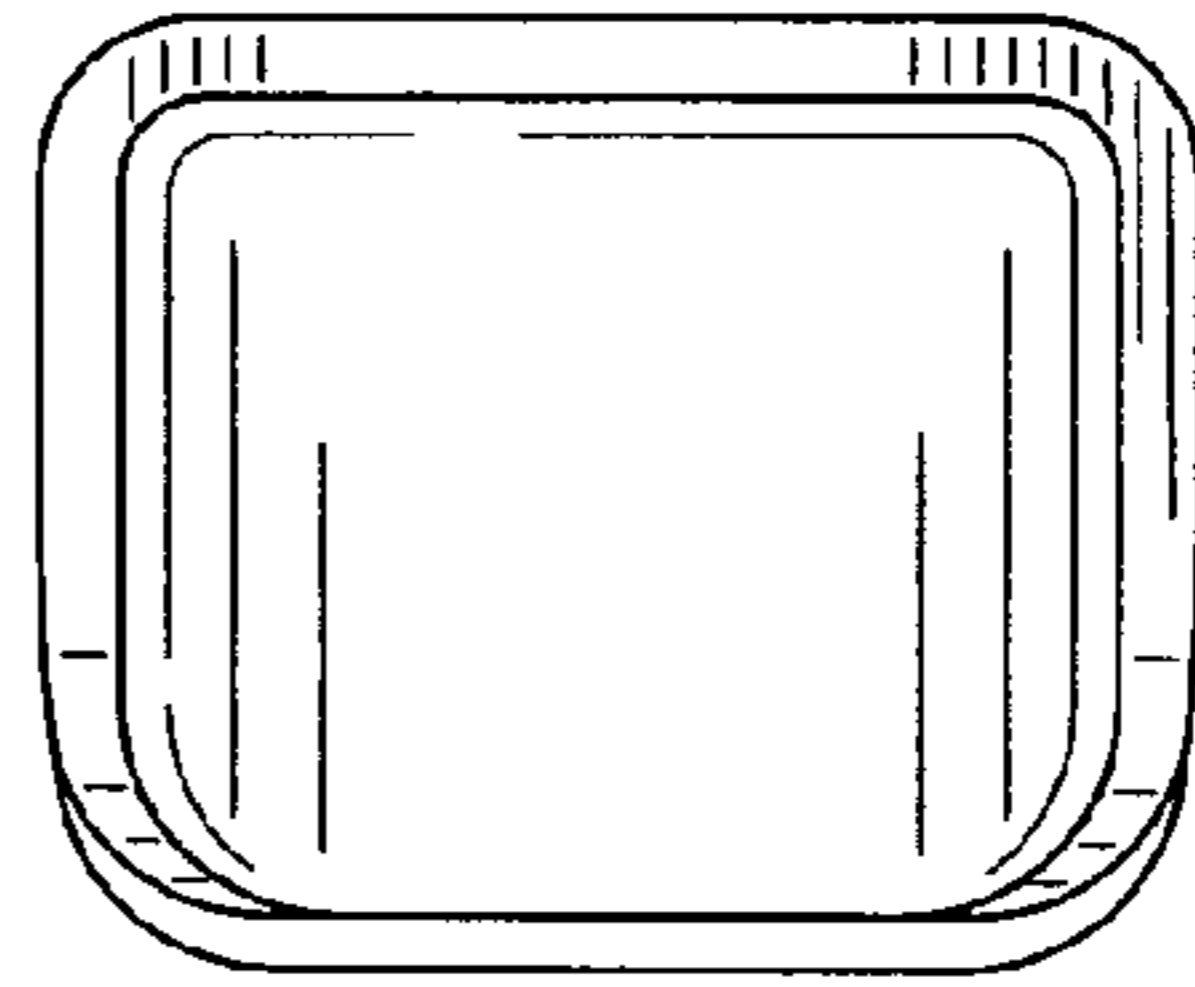
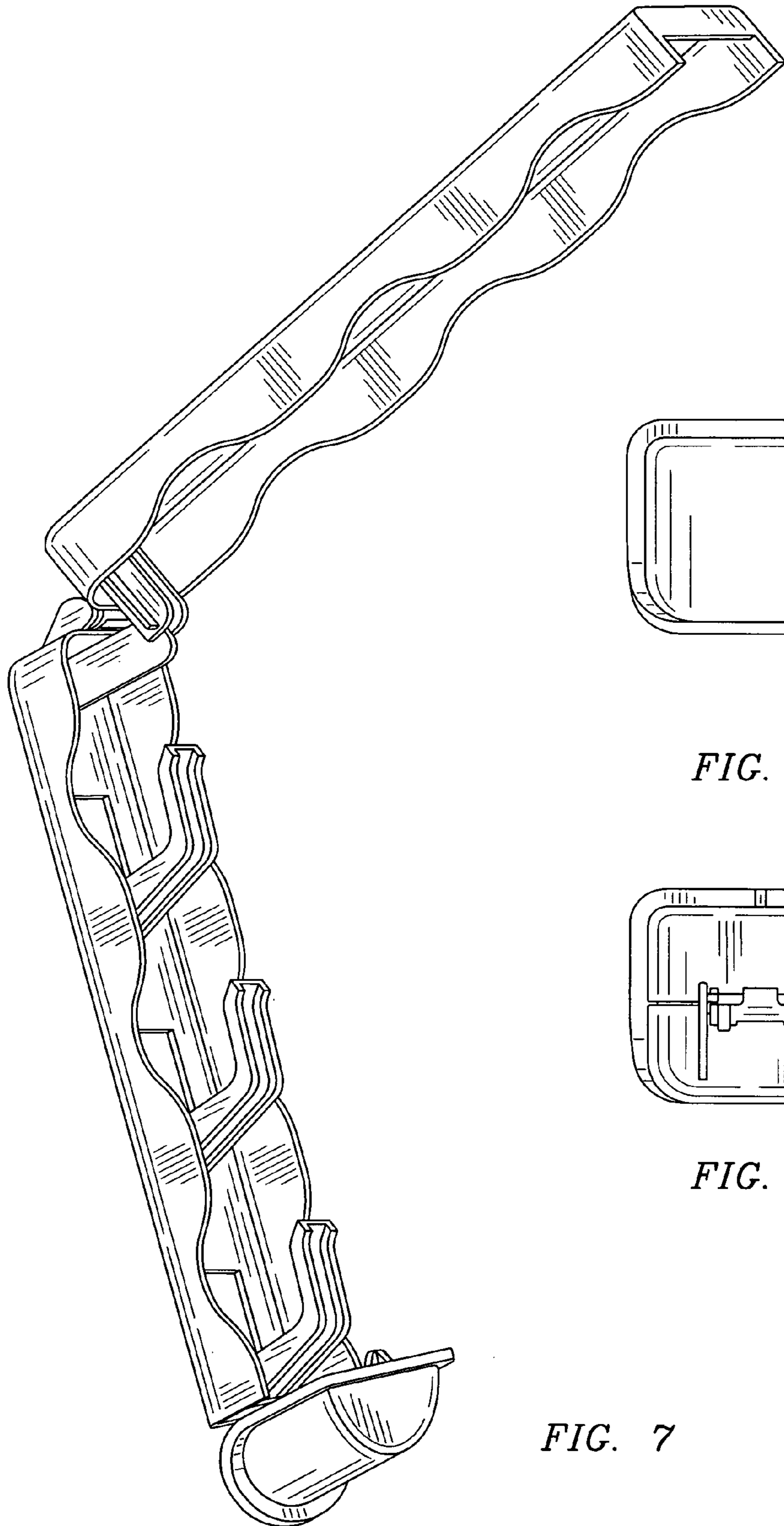


FIG. 5

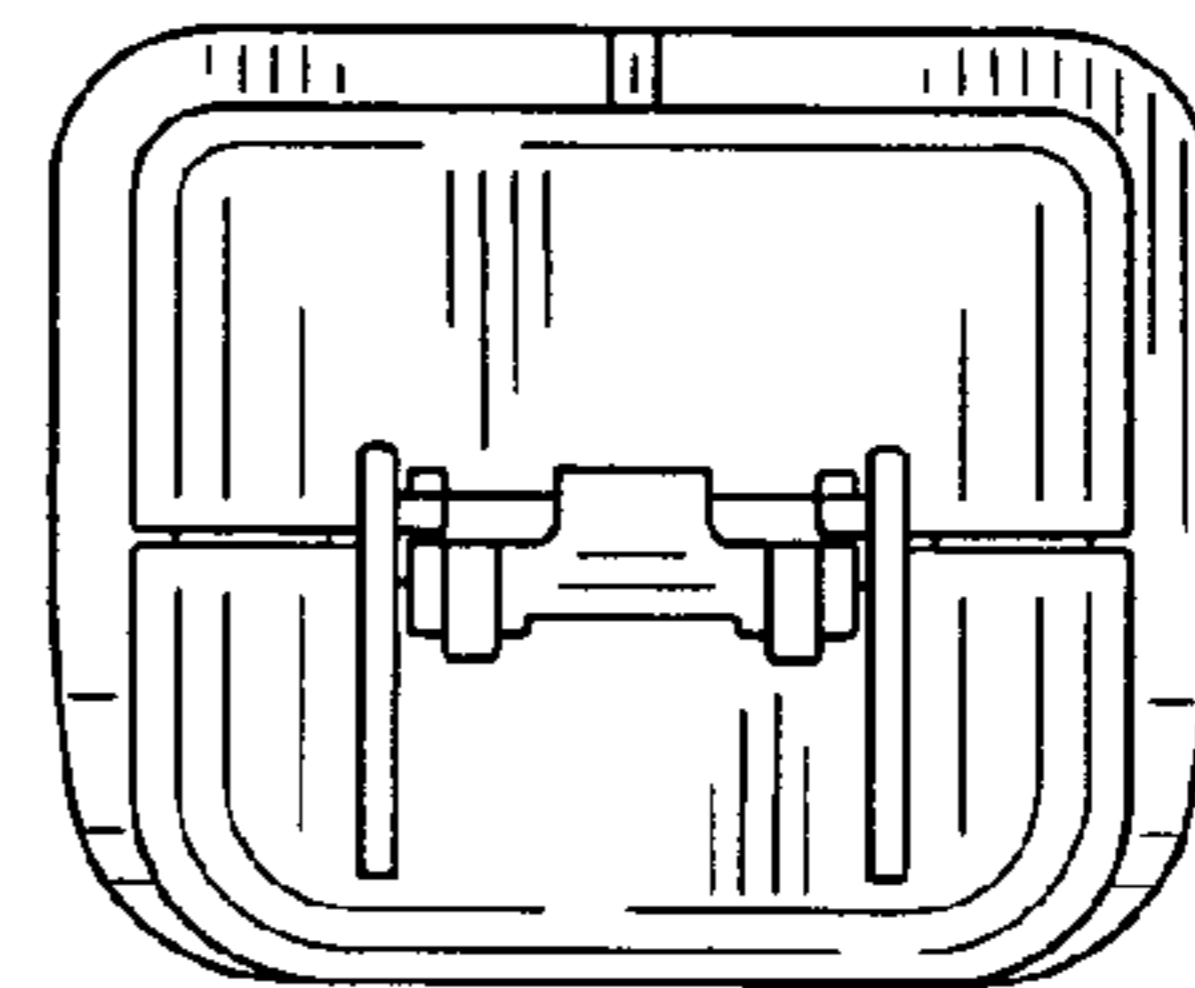


FIG. 6

FIG. 7