



US00D657729S

(12) **United States Design Patent**  
**Kleven**

(10) **Patent No.:** **US D657,729 S**

(45) **Date of Patent:** **\*\* Apr. 17, 2012**

(54) **VESSEL/BOAT BOW**

(75) Inventor: **Svein Kleven**, Ulsteinvik (NO)

(73) Assignee: **Rolls-Royce Marine AS**, Alesund (NO)

(\*\*) Term: **14 Years**

(21) Appl. No.: **29/380,066**

(22) Filed: **Nov. 30, 2010**

(30) **Foreign Application Priority Data**

May 31, 2010 (EP) ..... 001713926

(51) **LOC (9) Cl.** ..... **12-06**

(52) **U.S. Cl.** ..... **D12/300**

(58) **Field of Classification Search** ..... D12/300-318;  
114/39.25, 39.26, 40, 41, 61.1, 61.2, 61.28,  
114/77 R, 79 R, 248, 361, 380  
See application file for complete search history.

(56) **References Cited**

**U.S. PATENT DOCUMENTS**

2,543,654 A \* 2/1951 Baggerud ..... 114/79 R  
3,443,544 A \* 5/1969 Nikolaevich ..... 114/61.28

3,521,590 A \* 7/1970 Alexander et al. .... 114/41  
3,530,814 A \* 9/1970 Ivanovich et al. .... 114/40  
4,715,305 A \* 12/1987 Wilkman et al. .... 114/40  
5,176,092 A \* 1/1993 Czimmek ..... 114/40  
D348,647 S \* 7/1994 Hull et al. .... D12/317  
5,660,131 A \* 8/1997 Gulling et al. .... 114/40  
D555,570 S \* 11/2007 Kamsvag ..... D12/300  
D642,108 S \* 7/2011 Gros ..... D12/300

\* cited by examiner

*Primary Examiner* — Cynthia M Chin

(74) *Attorney, Agent, or Firm* — Jeffrey S. Melcher; Manelli Selter PLLC

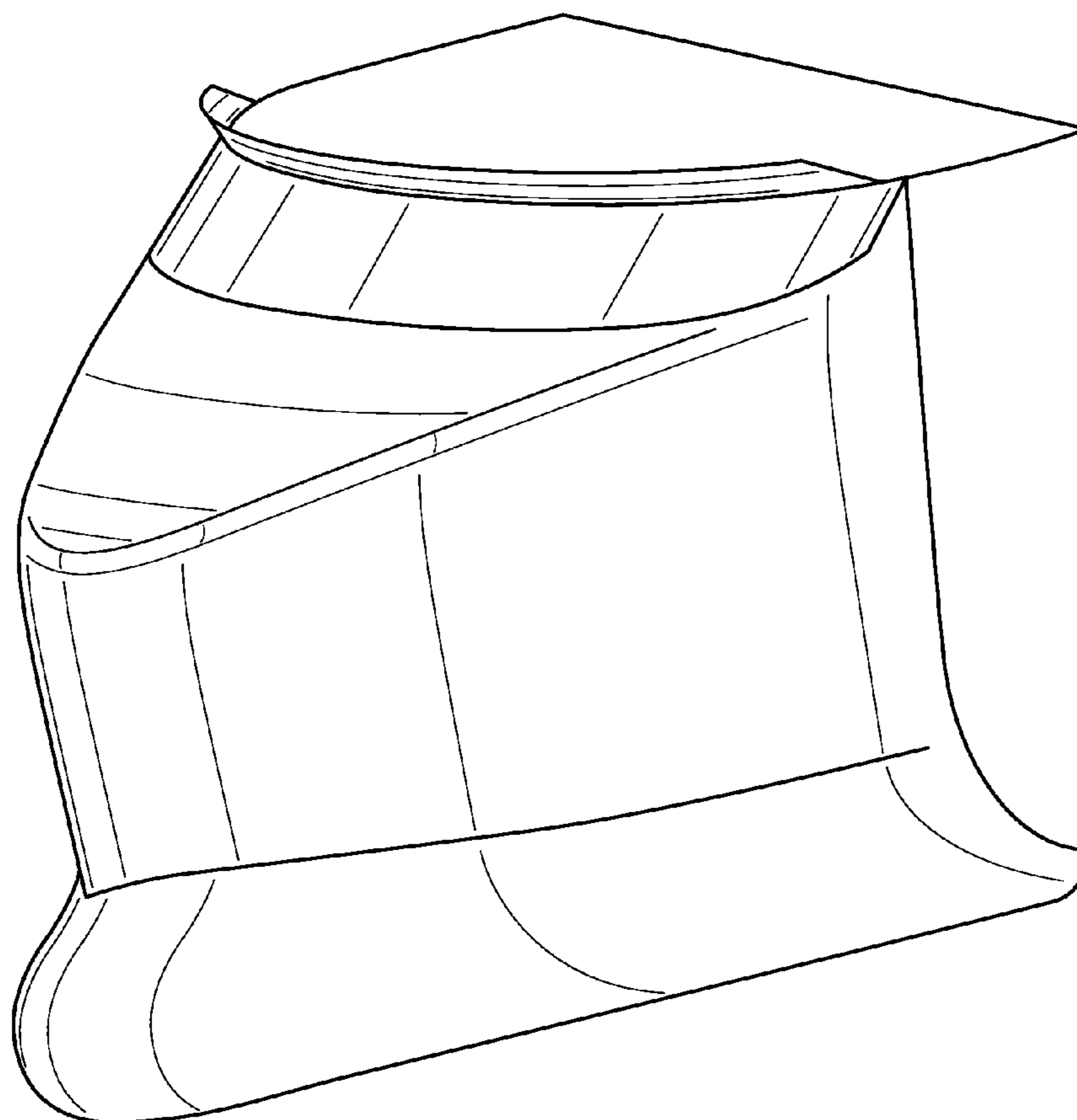
(57) **CLAIM**

The ornamental design for a vessel/boat bow, as shown and described.

**DESCRIPTION**

FIG. 1 is a perspective view of the vessel/boat bow;  
FIG. 2 is a perspective view of the vessel/boat bow;  
FIG. 3 is a front view of the vessel/boat bow;  
FIG. 4 is a side view of the vessel/boat bow;  
FIG. 5 is a top view of the vessel/boat bow;  
FIG. 6 is a perspective view of the vessel/boat bow; and,  
FIG. 7 is a perspective view of the vessel/boat bow.

**1 Claim, 7 Drawing Sheets**



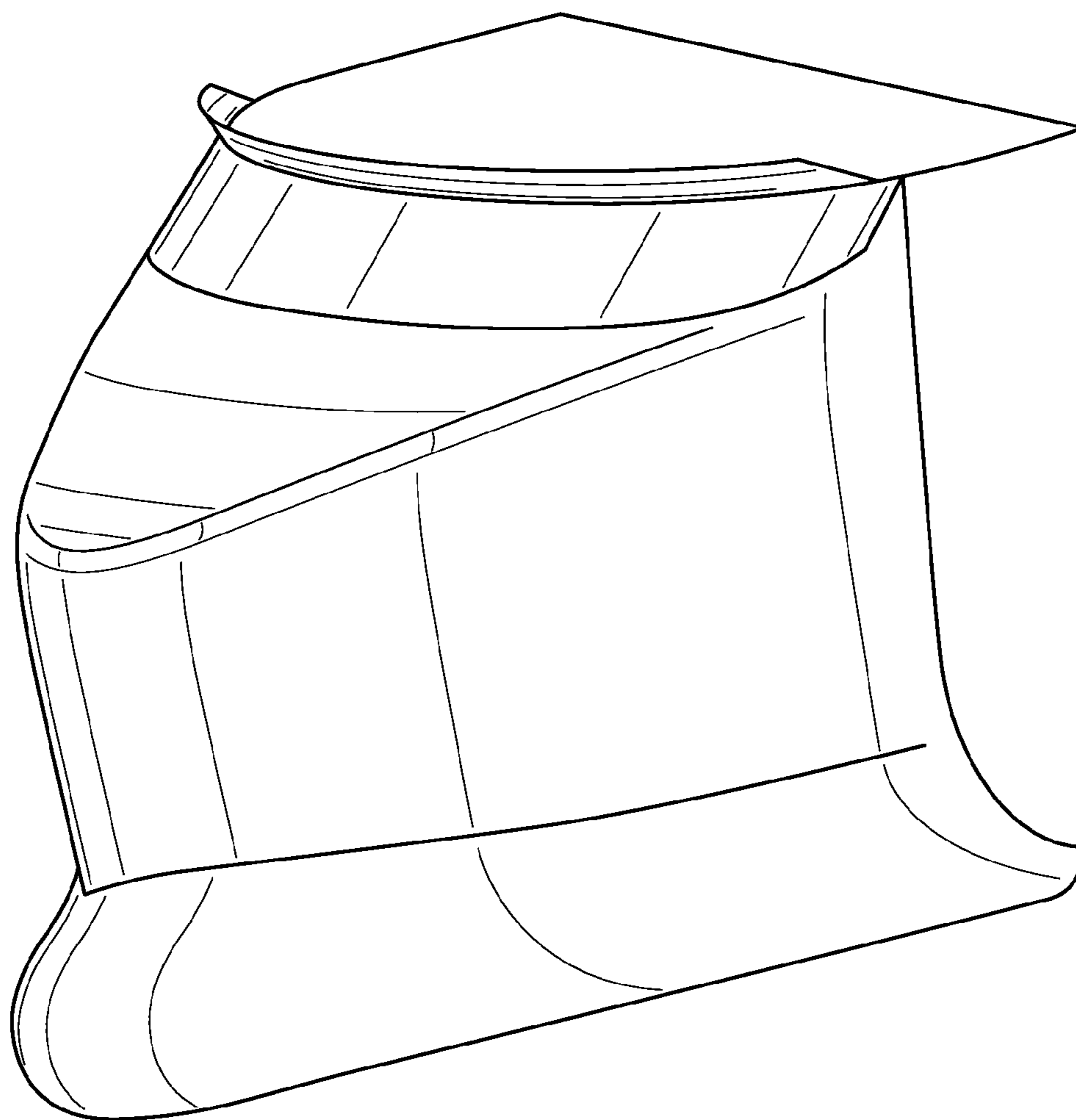


FIG. 1

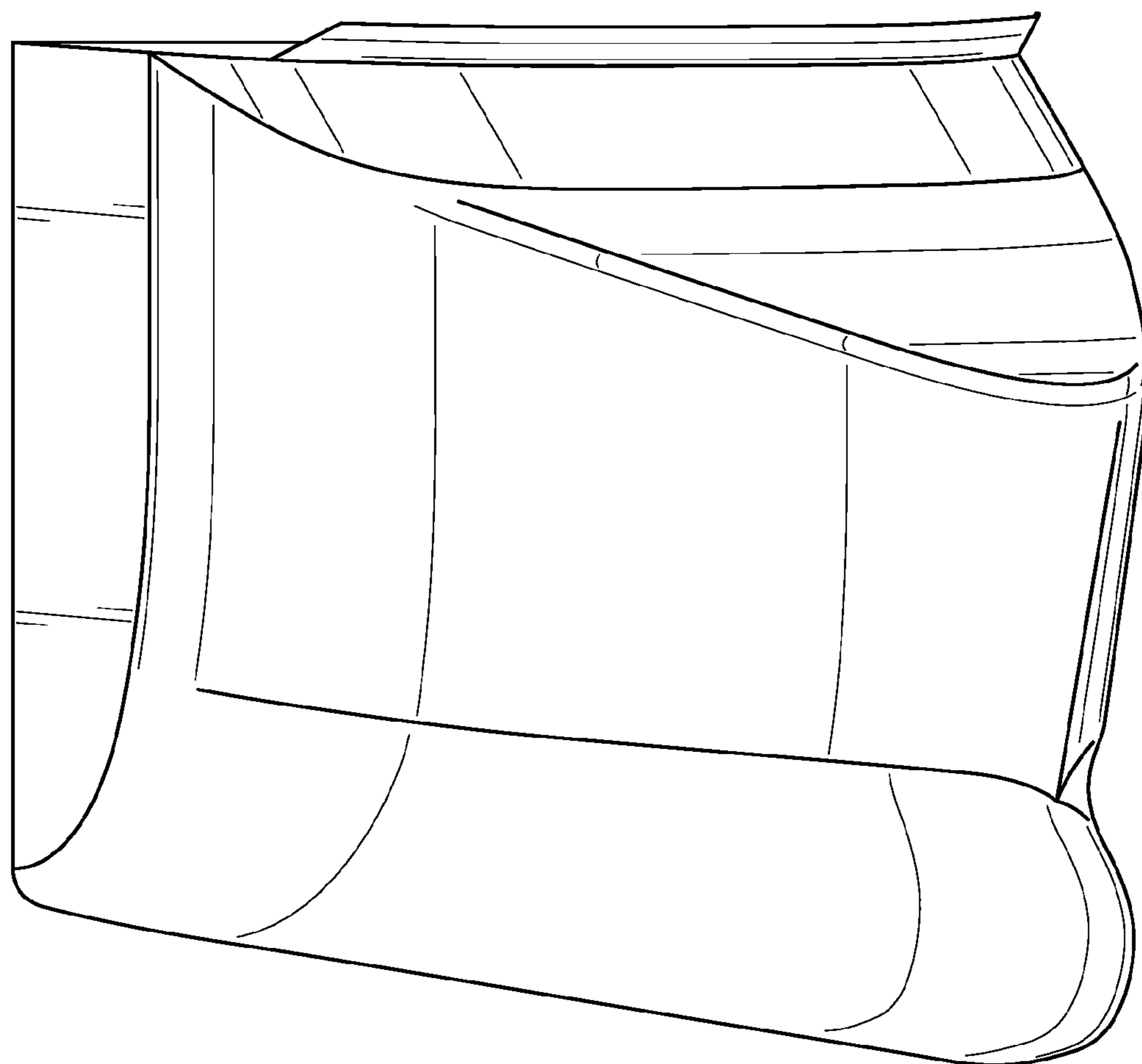


FIG. 2

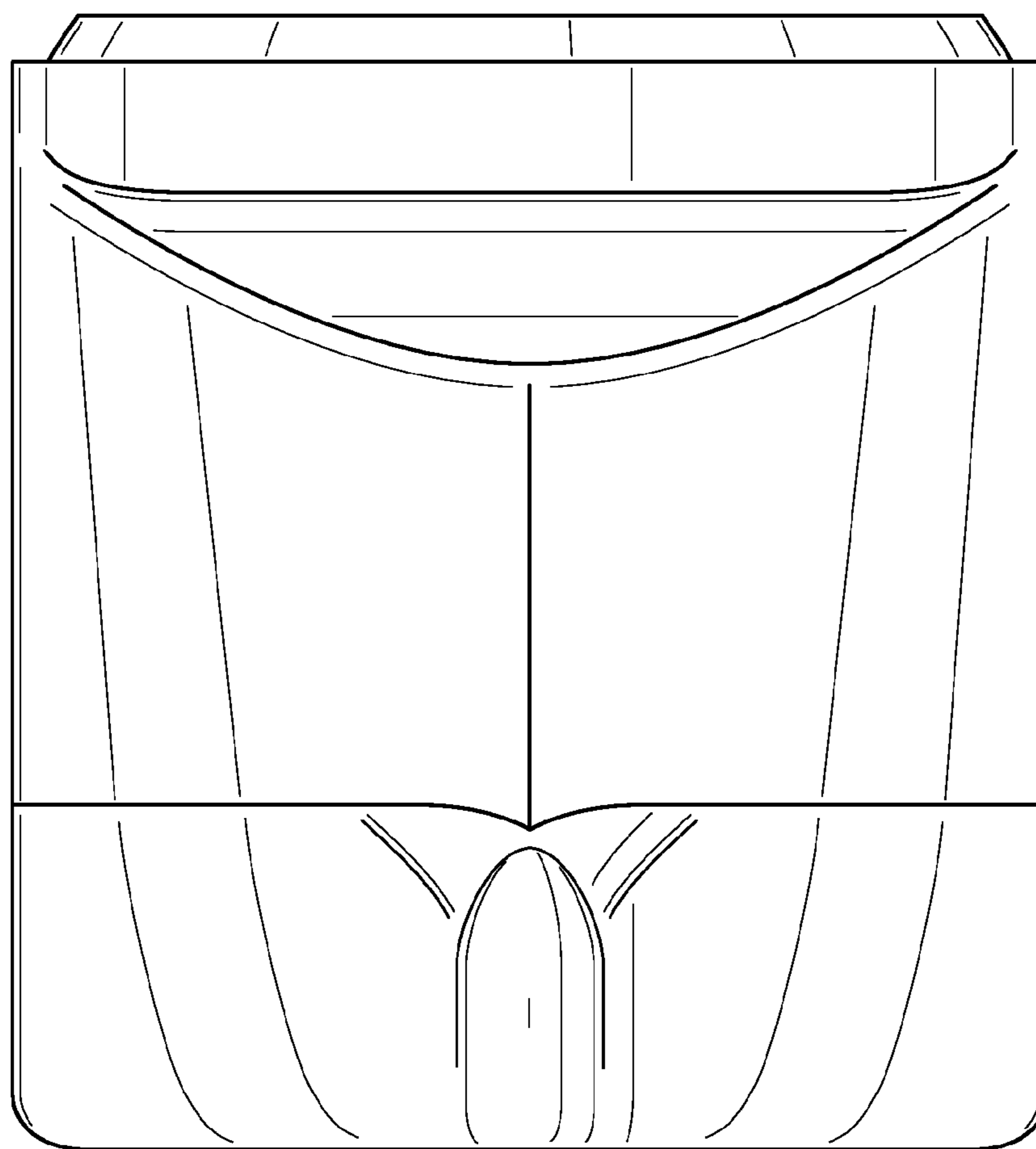


FIG. 3

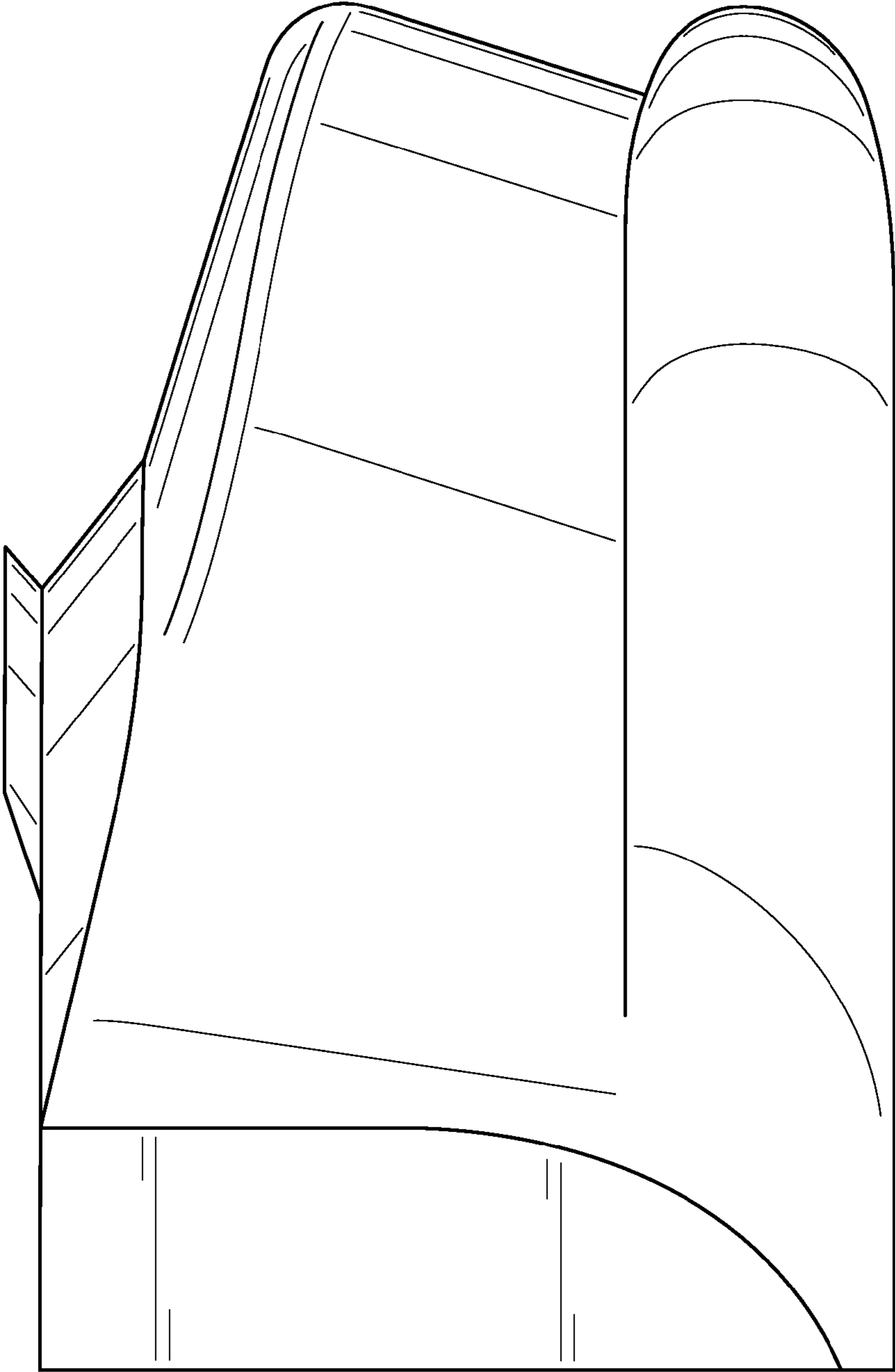


FIG. 4

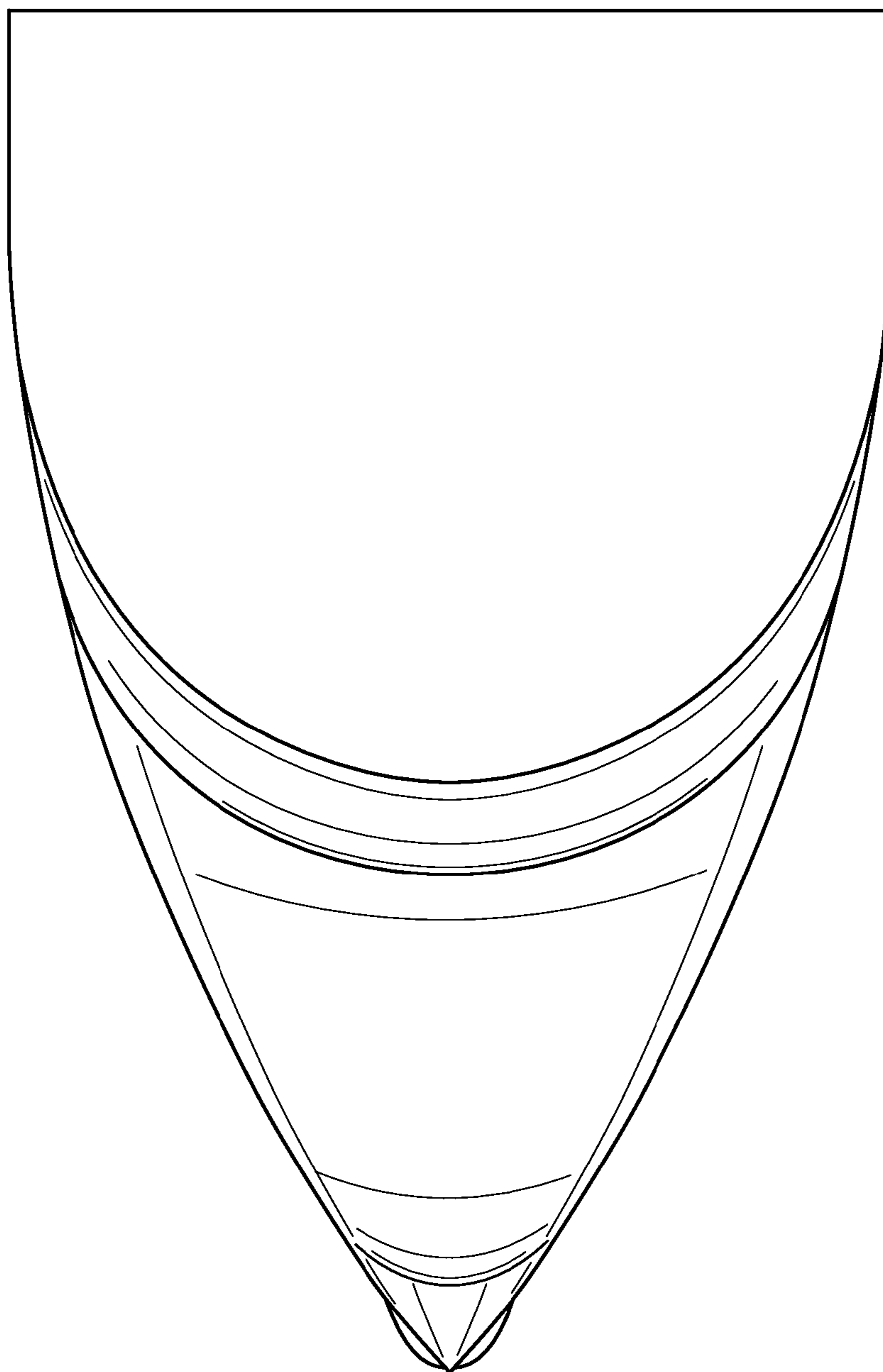


FIG. 5

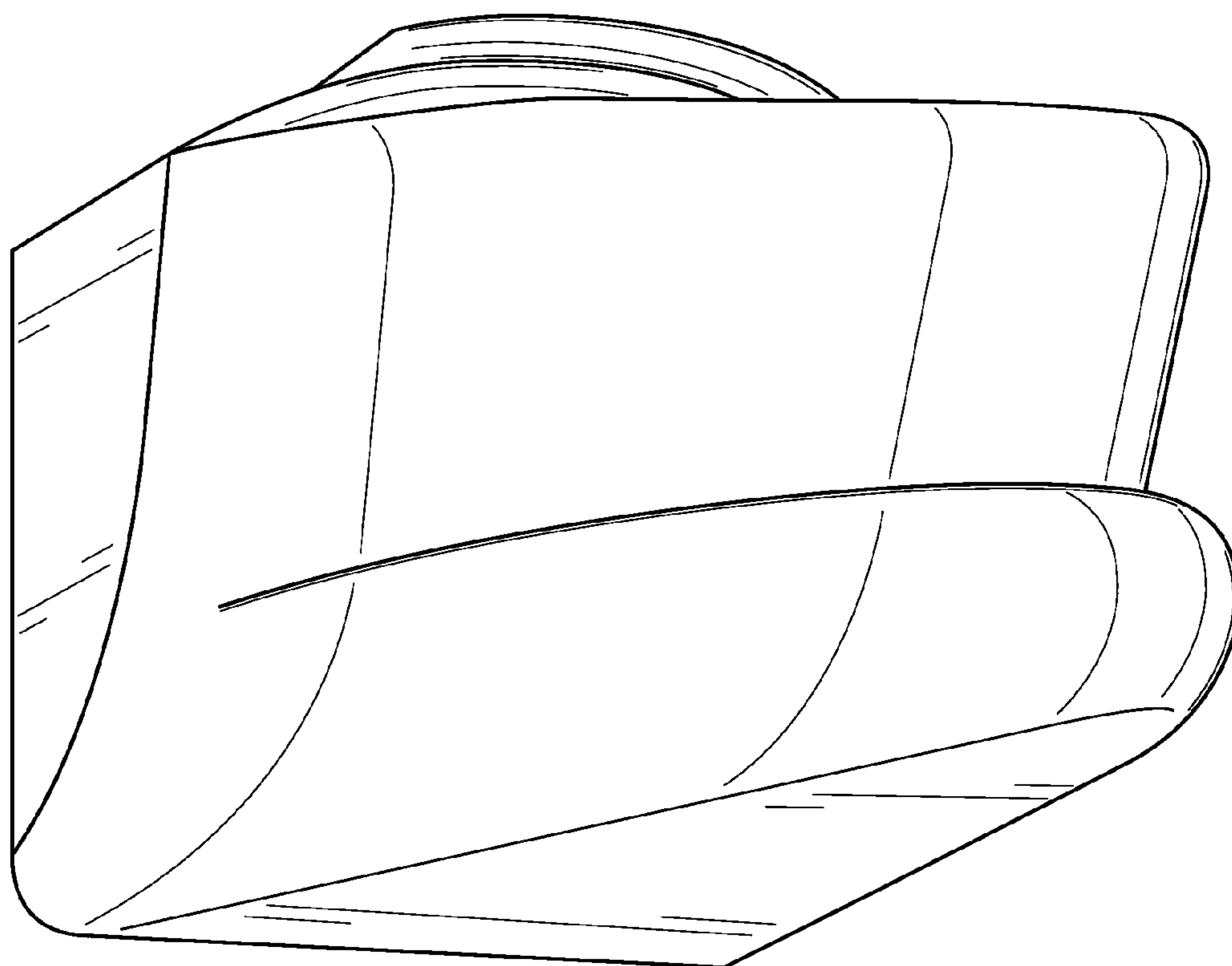


FIG. 6

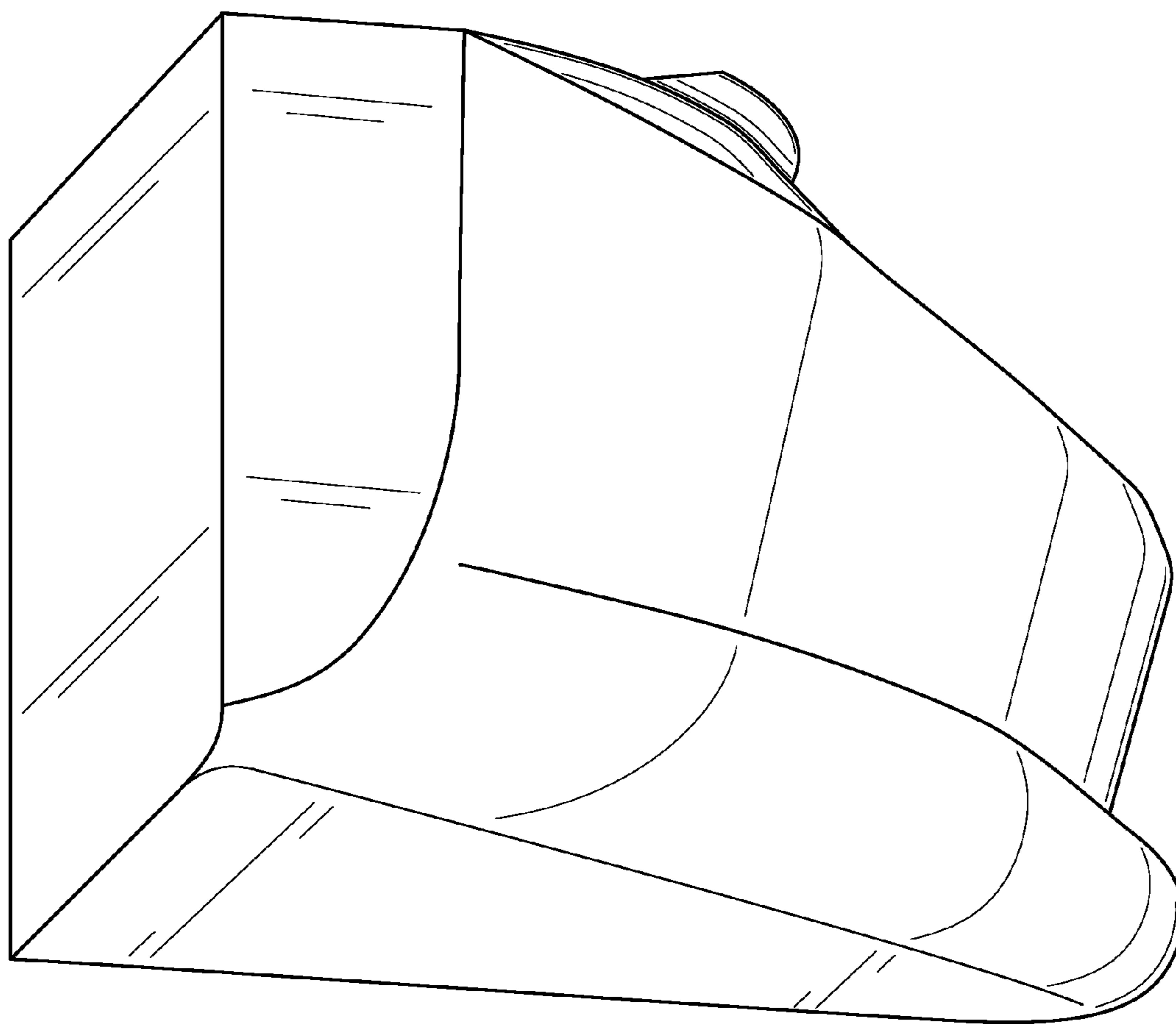


FIG. 7