

US00D657728S

(12) **United States Design Patent**
Johnson

(10) **Patent No.:** **US D657,728 S**

(45) **Date of Patent:** **** Apr. 17, 2012**

(54) **AUTOMOTIVE WHEEL**

(75) **Inventor:** **Kelly Johnson**, Placentia, CA (US)

(73) **Assignee:** **Kevin Lee**, Yorba Linda, CA (US)

(**) **Term:** **14 Years**

(21) **Appl. No.:** **29/401,745**

(22) **Filed:** **Sep. 14, 2011**

(51) **LOC (9) Cl.** **12-16**

(52) **U.S. Cl.** **D12/211**

(58) **Field of Classification Search** D12/204-213;
301/37.101, 64.101, 65, 64.201
See application file for complete search history.

D585,009 S *	1/2009	Rak	D12/211
D590,320 S *	4/2009	Scheu	D12/211
D591,663 S *	5/2009	Chung	D12/211
D593,021 S *	5/2009	Chung	D12/211
D595,202 S *	6/2009	Spoerle	D12/211
D617,251 S *	6/2010	Zhao	D12/211
D618,155 S *	6/2010	Zhao	D12/211
D620,425 S *	7/2010	Zhao	D12/211
D625,244 S *	10/2010	Zhao	D12/211
D633,840 S *	3/2011	Johnson	D12/209

* cited by examiner

Primary Examiner — Stacia Cadmus

(74) *Attorney, Agent, or Firm* — MKW Alloy Inc

(57) **CLAIM**

The ornamental design for an automotive wheel, as shown and described.

(56) **References Cited**

U.S. PATENT DOCUMENTS

D339,561 S *	9/1993	Maiworm et al.	D12/211
D413,853 S *	9/1999	Hale, Jr.	D12/211
D504,101 S *	4/2005	Pfeiffer	D12/211
D506,967 S *	7/2005	Kamimura	D12/211
D552,524 S *	10/2007	Tirado	D12/209
D560,589 S *	1/2008	Celik	D12/211

DESCRIPTION

FIG. 1 is a front elevation view of the automotive wheel of the instant invention; and,
FIG. 2 is an oblique view of the automotive wheel of the instant invention.

1 Claim, 2 Drawing Sheets

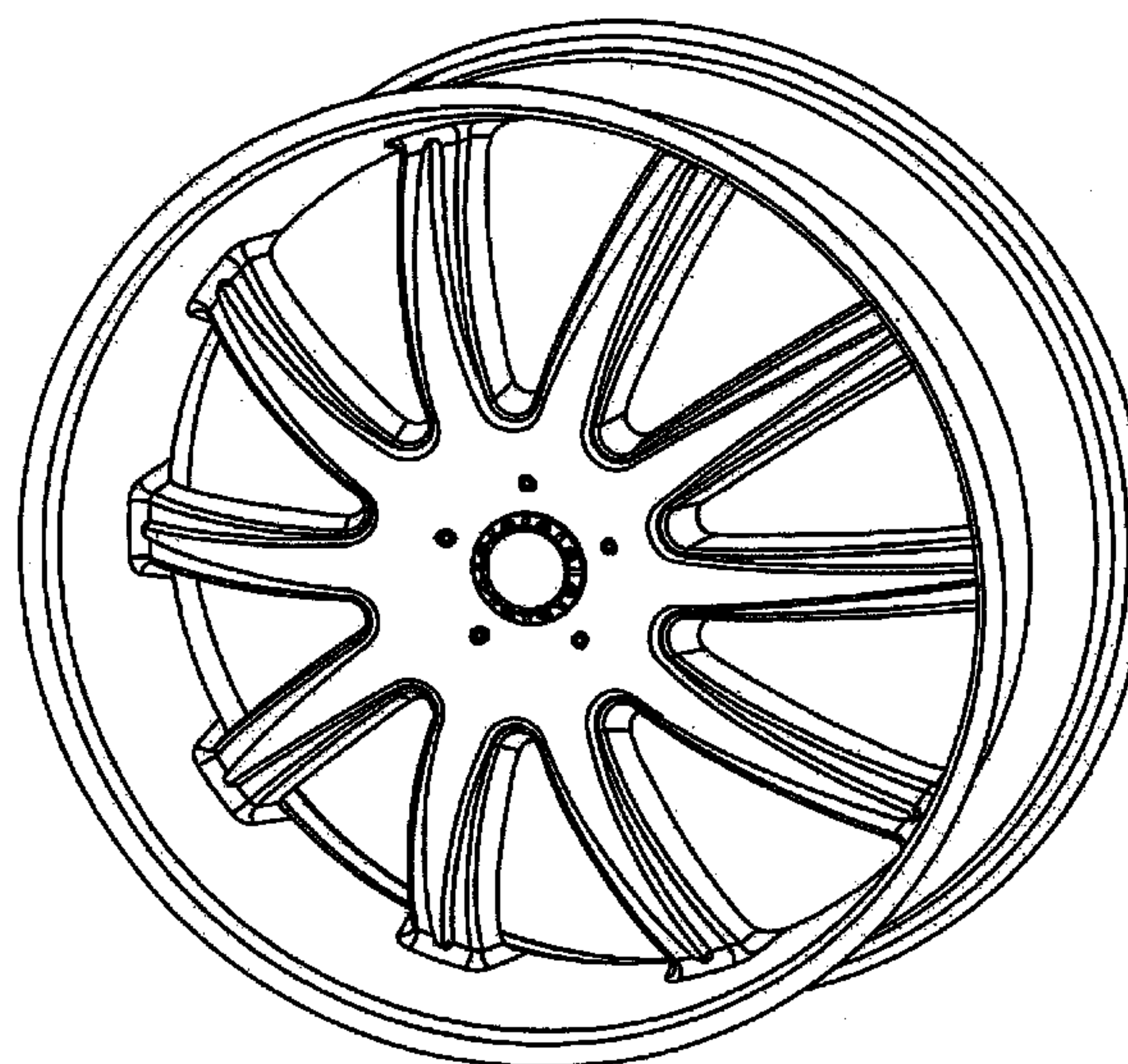
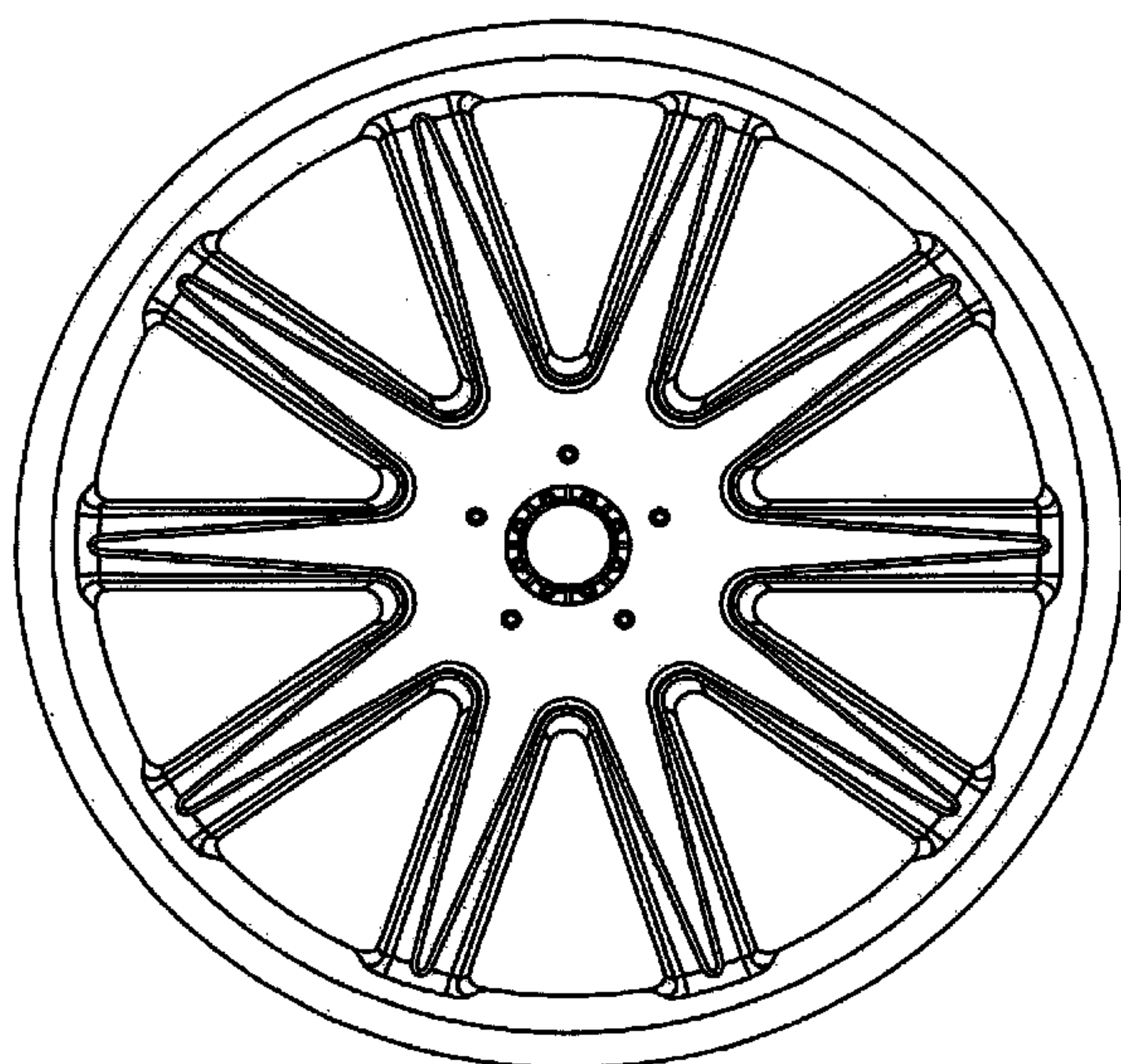


FIGURE 1

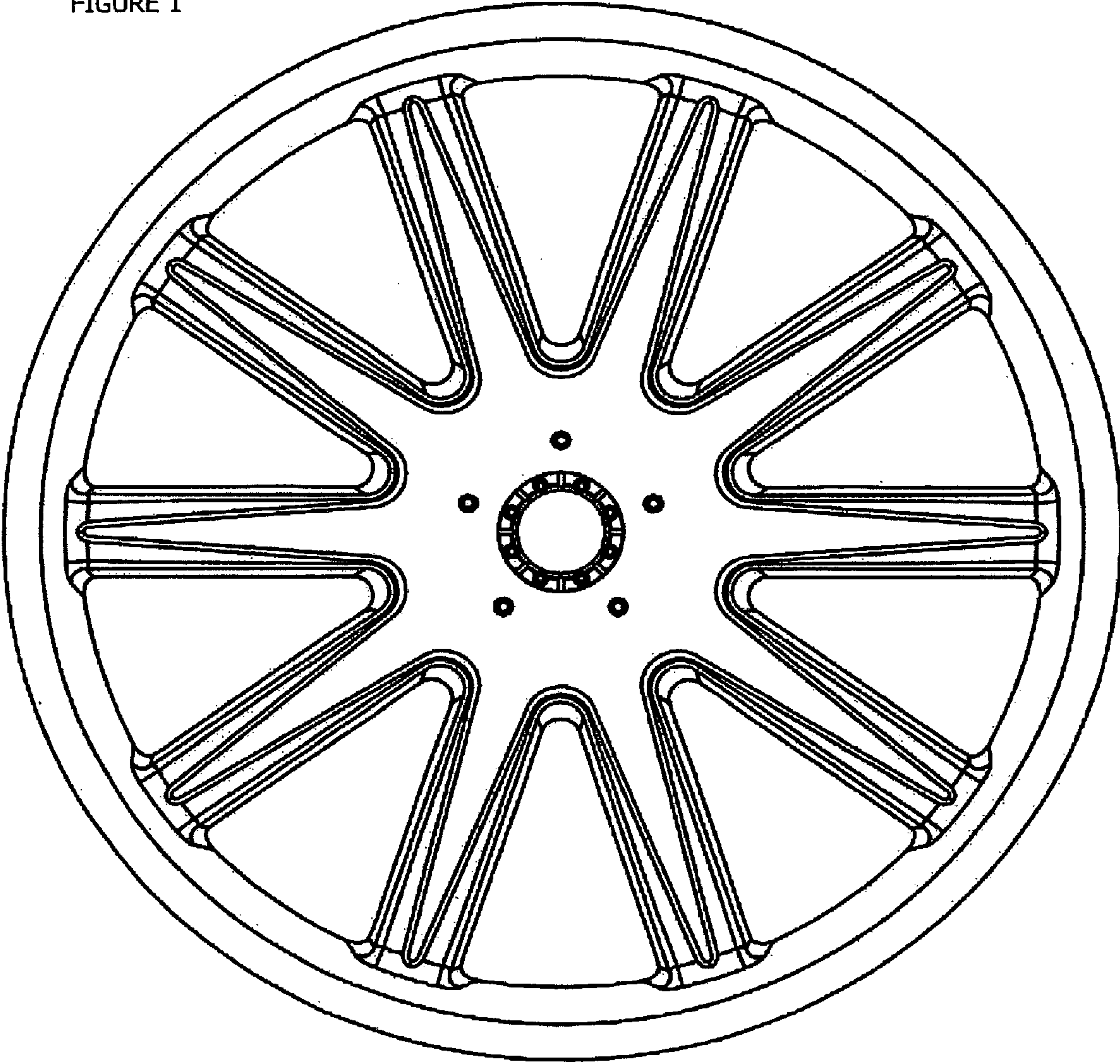


FIGURE 2

