



US00D657727S

(12) **United States Design Patent**
Fetherston et al.

(10) **Patent No.:** **US D657,727 S**
(45) **Date of Patent:** **** Apr. 17, 2012**

(54) **WHEEL OR WHEEL COVER**

(75) Inventors: **Mark Fetherston**, Stuttgart (DE);
Michael Frei, Stuttgart (DE); **Klaus Frenzel**, Stuttgart (DE)

(73) Assignee: **Daimler AG**, Stuttgart (DE)

(**) Term: **14 Years**

(21) Appl. No.: **29/371,259**

(22) Filed: **Dec. 15, 2010**

(30) **Foreign Application Priority Data**

Jun. 16, 2010 (EM) 001720392-0001

(51) **LOC (9) Cl.** **12-16**

(52) **U.S. Cl.** **D12/209**

(58) **Field of Classification Search** D12/204-213;
301/37.101, 64.101, 65, 64.201
See application file for complete search history.

(56) **References Cited**

U.S. PATENT DOCUMENTS

D445,078 S * 7/2001 Chung D12/209
D475,669 S * 6/2003 Boyer D12/209
D504,099 S * 4/2005 Boyer D12/211

D504,647 S * 5/2005 Leclercq D12/209
D507,224 S * 7/2005 Pfeiffer D12/211
D512,675 S * 12/2005 Nagashima D12/209
D514,999 S * 2/2006 Boyer D12/209
D519,072 S * 4/2006 Komuro D12/209
D520,434 S * 5/2006 Fahr-Becker D12/211
D526,263 S * 8/2006 Brown D12/209
D527,326 S * 8/2006 Pfeiffer D12/209
D530,251 S * 10/2006 Gabath D12/209
D544,427 S * 6/2007 Pfeiffer D12/211
D571,703 S * 6/2008 Antoniadis et al. D12/211
D592,578 S * 5/2009 Chung D12/209
D621,766 S * 8/2010 Antoniadis et al. D12/209

* cited by examiner

Primary Examiner — Stacia Cadmus

(74) *Attorney, Agent, or Firm* — Crowell & Moring LLP

(57) **CLAIM**

The ornamental design for a wheel or wheel cover, as shown and described.

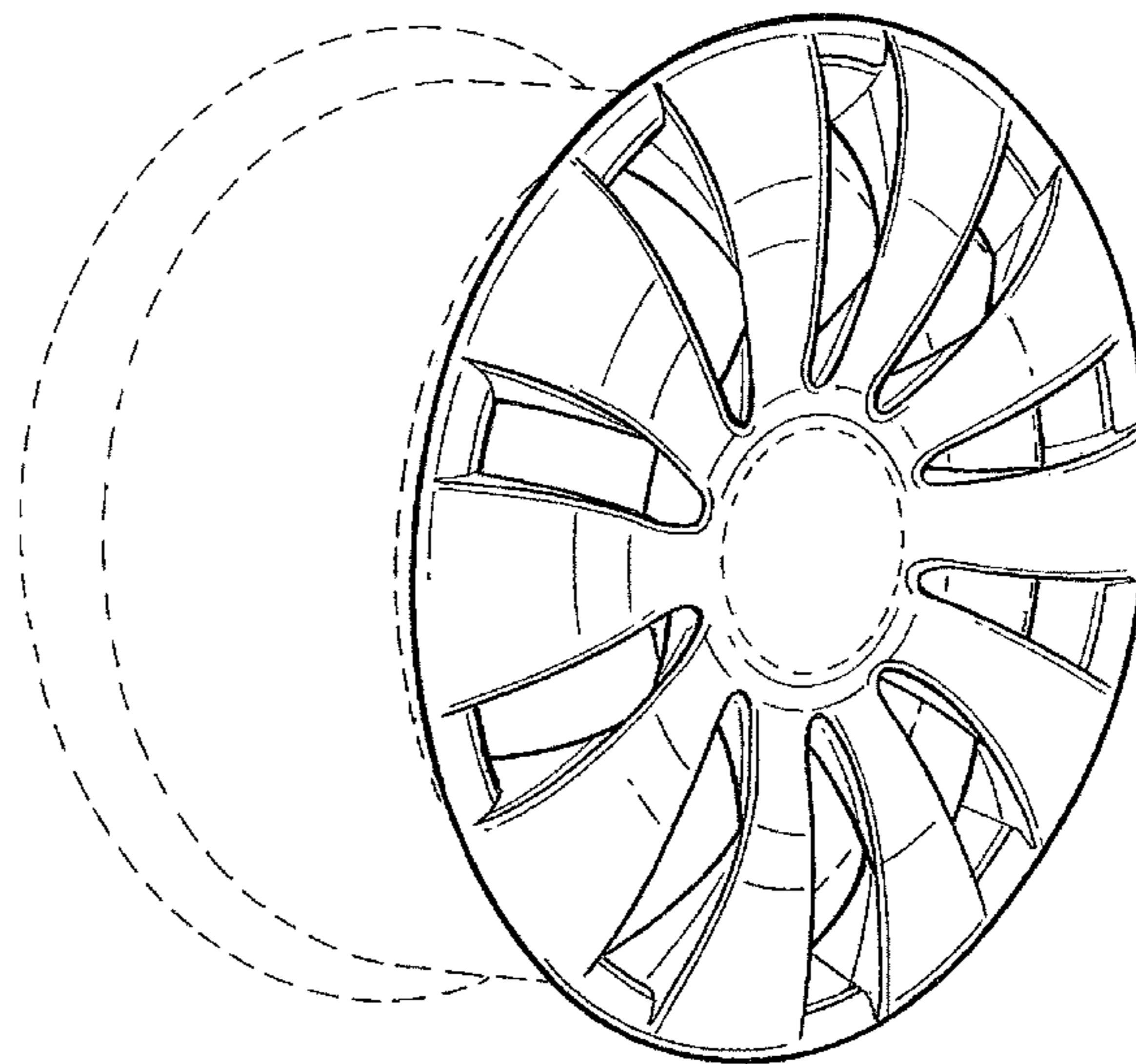
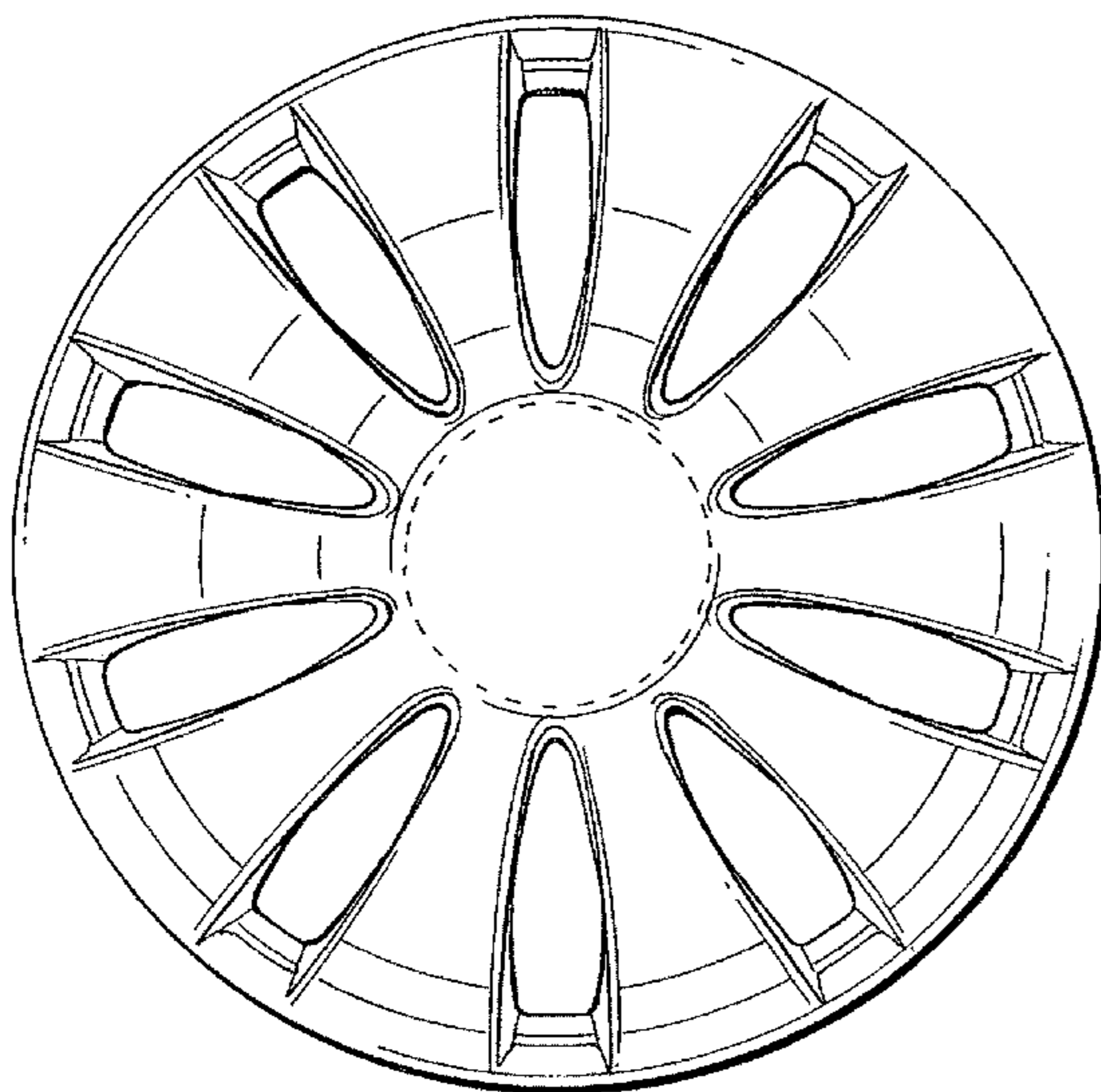
DESCRIPTION

FIG. 1 is a front view of a wheel or wheel cover according to our design; and,

FIG. 2 is a perspective view thereof.

The broken line showing of the rear of the wheel and the central hub area is included for the purpose of illustrating environment and forms no part of the claimed design.

1 Claim, 1 Drawing Sheet



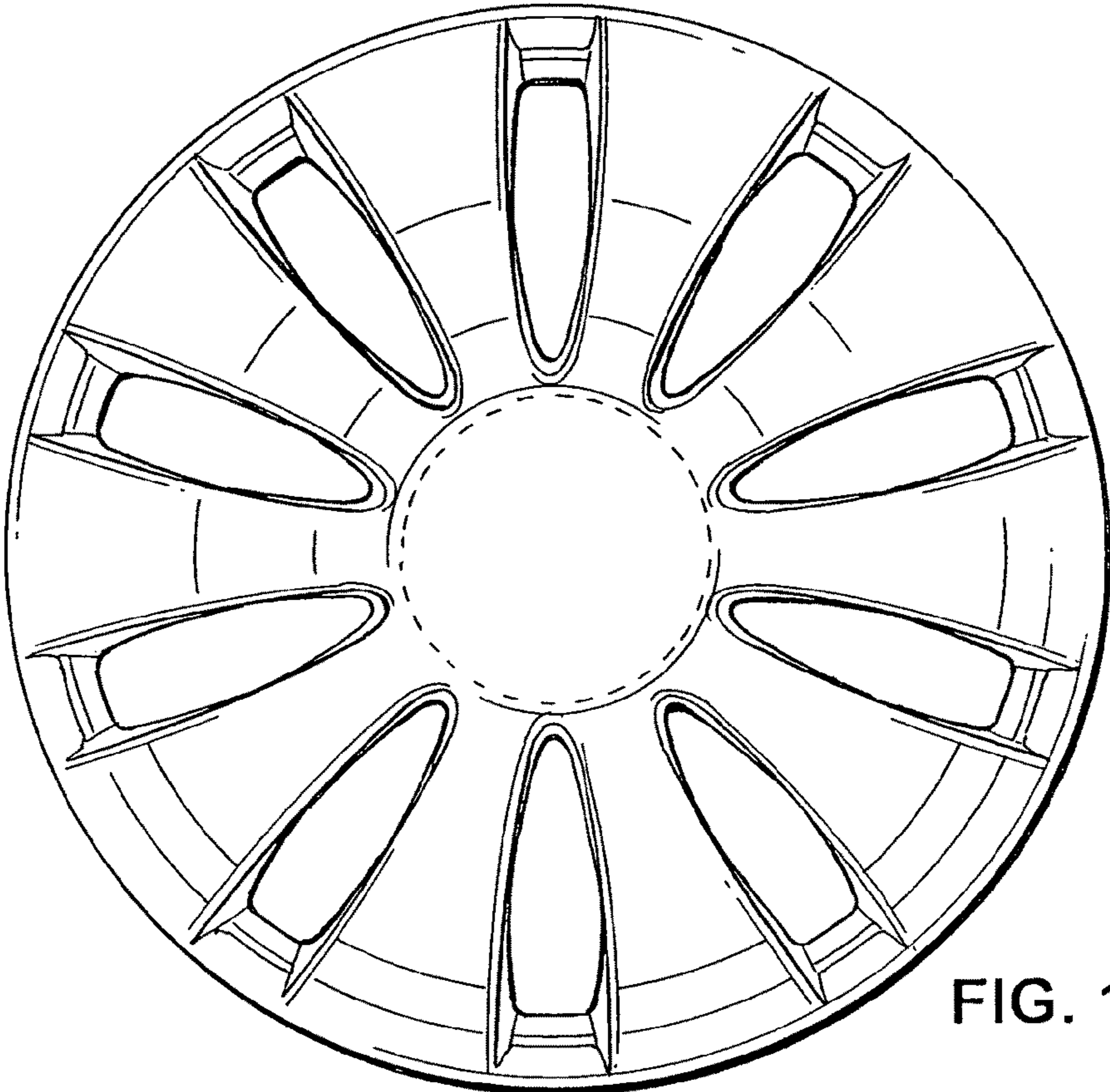


FIG. 1

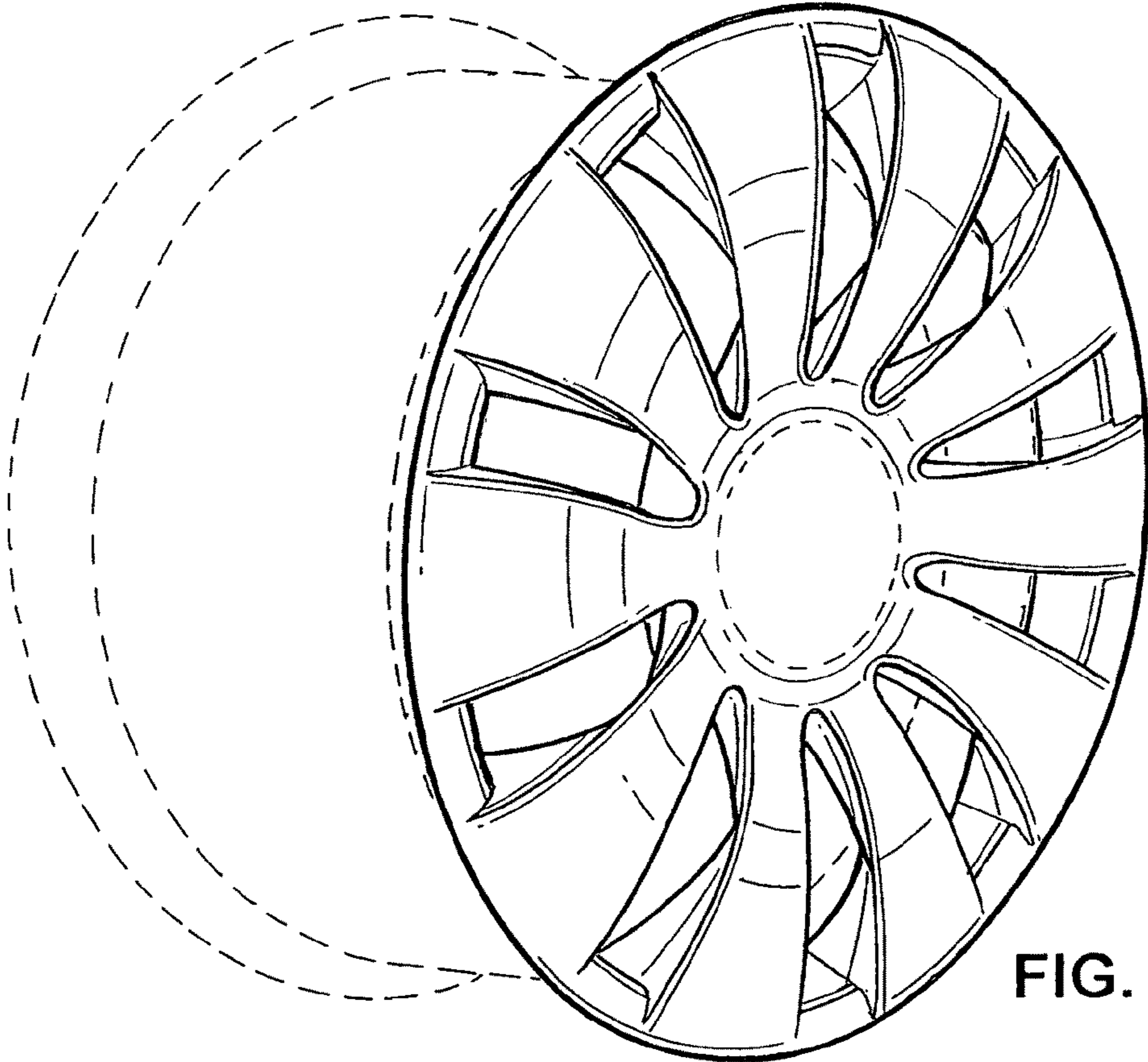


FIG. 2