



US00D657726S

(12) **United States Design Patent**
Finnie

(10) **Patent No.:** **US D657,726 S**

(45) **Date of Patent:** **** Apr. 17, 2012**

(54) **SPOKED WHEEL FOR A MOTORCYCLE**

(75) Inventor: **Mark Finnie**, La Palma, CA (US)

(73) Assignee: **Performance Machine, LLC**, La Palma, CA (US)

(**) Term: **14 Years**

(21) Appl. No.: **29/411,684**

(22) Filed: **Jan. 25, 2012**

(51) **LOC (9) Cl.** **12-16**

(52) **U.S. Cl.** **D12/205**

(58) **Field of Classification Search** D12/204-213;
301/37.101, 64.101, 65, 64.201

See application file for complete search history.

(56) **References Cited**

U.S. PATENT DOCUMENTS

D267,167 S * 12/1982 Suzuki et al. D12/205
D269,506 S * 6/1983 Suzuki et al. D12/205

D269,603 S * 7/1983 Whitmarsh D12/205
D387,027 S * 12/1997 Bradley D12/205
D498,722 S * 11/2004 Smith et al. D12/205
D596,547 S * 7/2009 Passarotto et al. D12/205
D626,050 S * 10/2010 Spahr et al. D12/205
D644,153 S * 8/2011 Finnie D12/205

* cited by examiner

Primary Examiner — Stacia Cadmus

(74) *Attorney, Agent, or Firm* — David Pressman

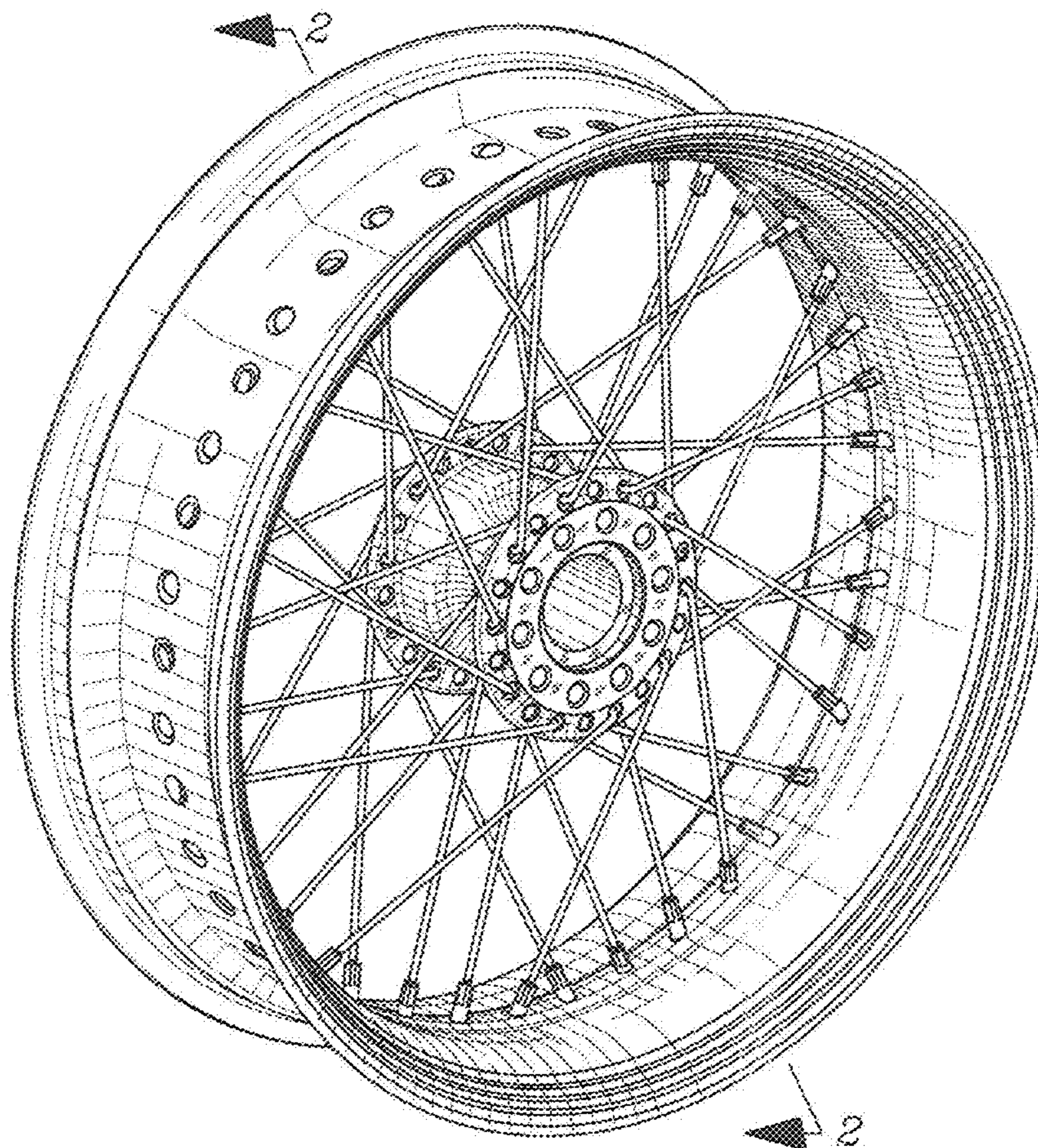
(57) **CLAIM**

The ornamental design for a spoked wheel for a motorcycle, as shown and described.

DESCRIPTION

FIG. 1 is a perspective view of an outer side of my spoked wheel for a motorcycle taken from above and to the left. The reverse or inner side is identical to the outer side; and, FIG. 2 is a cross-sectional view of the wheel of FIG. 1 taken on a plane indicated by the lines 2-2 of FIG. 1.

1 Claim, 2 Drawing Sheets



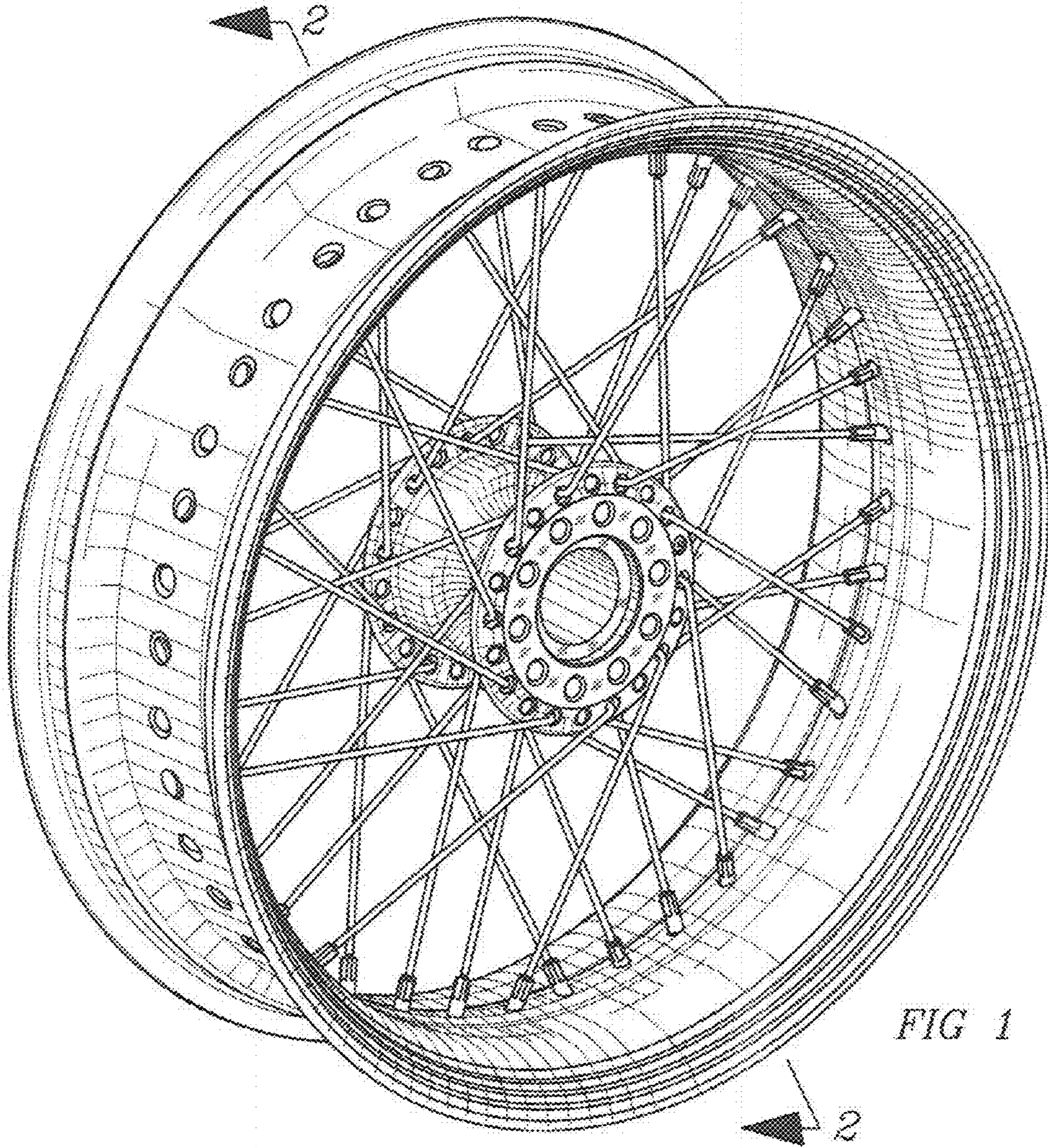


FIG 1

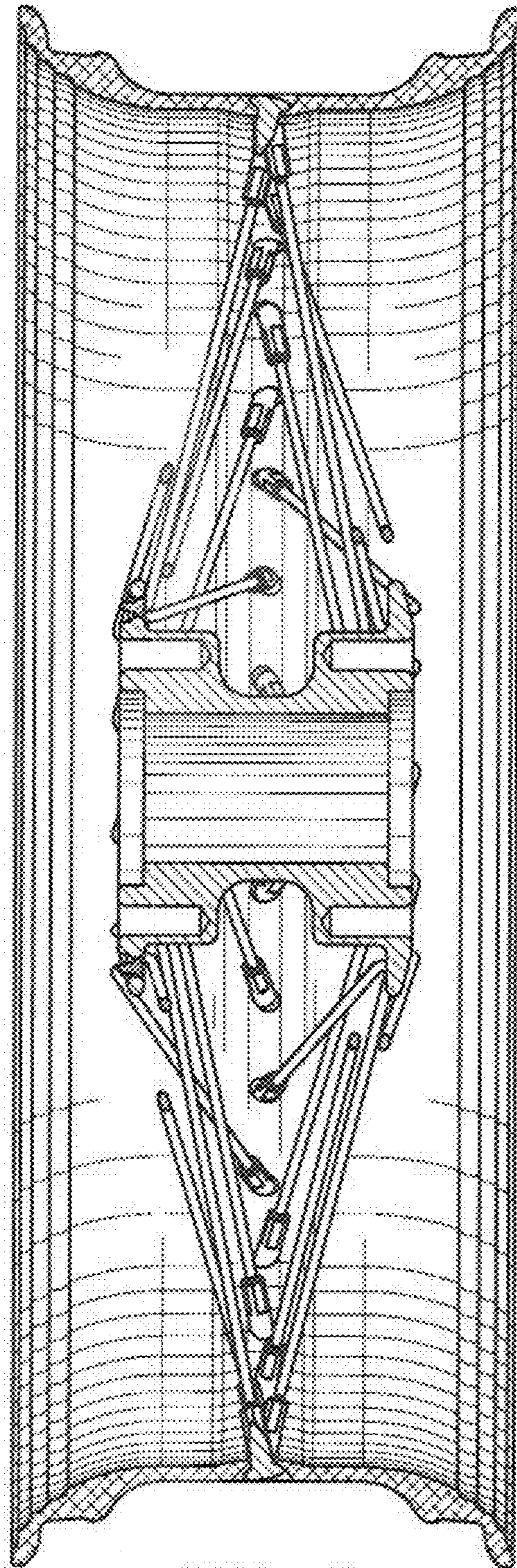


FIG 2