



US00D657725S

(12) **United States Design Patent**  
**Segura**

(10) **Patent No.:** **US D657,725 S**  
(45) **Date of Patent:** **\*\* Apr. 17, 2012**

(54) **TAIL GATE SEAL**

(76) Inventor: **Nestor Segura**, Stoney Creek (CA)

(\*\*) Term: **14 Years**

(21) Appl. No.: **29/371,335**

(22) Filed: **Jan. 6, 2011**

(30) **Foreign Application Priority Data**

Dec. 2, 2010 (CA) ..... 138196

(51) **LOC (9) Cl.** ..... **12-16**

(52) **U.S. Cl.** ..... **D12/196**

(58) **Field of Classification Search** ..... D12/196,  
D12/98, 93; 296/57.1, 3, 37.1, 37.6, 183.1  
See application file for complete search history.

(56) **References Cited**

U.S. PATENT DOCUMENTS

D413,297 S \* 8/1999 Quinn ..... D12/196  
D488,115 S \* 4/2004 Trunk et al. .... D12/196

D506,716 S \* 6/2005 Hall et al. .... D12/196  
D511,731 S \* 11/2005 Lariviere et al. .... D12/196  
7,472,938 B2 \* 1/2009 Firzlaff et al. .... 296/57.1

FOREIGN PATENT DOCUMENTS

CA 134273 9/2010

\* cited by examiner

*Primary Examiner* — Melody N Brown

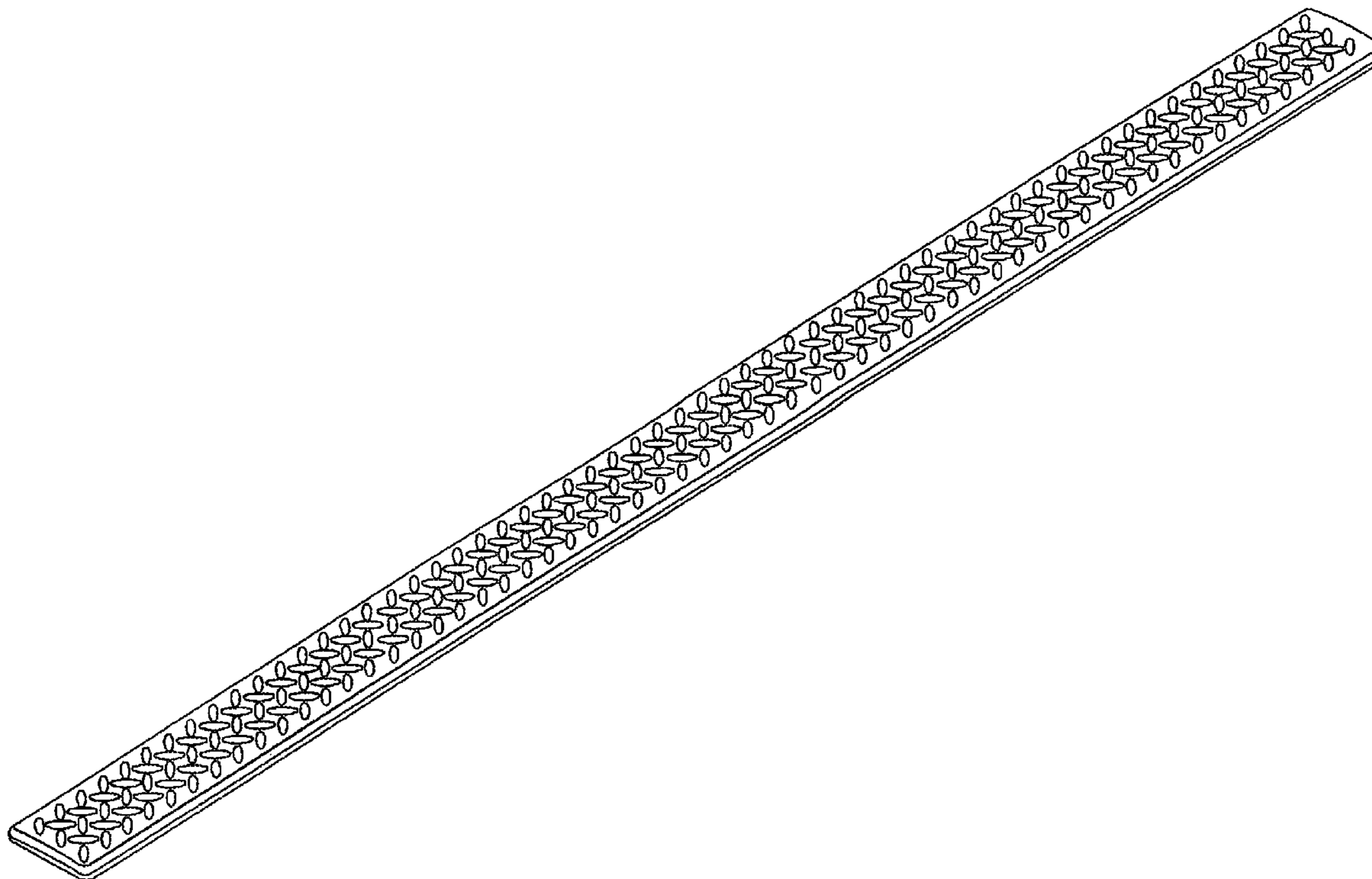
(57) **CLAIM**

I claim the ornamental design for a tail gate seal, as shown in solid lines and described.

**DESCRIPTION**

FIG. 1: is top, front and first end view of a new an ornamental design of a tail gate seal;  
FIG. 2: is a front elevation view thereof;  
FIG. 3: is a top plan view thereof;  
FIG. 4: is a rear elevation view thereof;  
FIG. 5: is a bottom plan view thereof;  
FIG. 6: is an end elevation view thereof; and,  
FIG. 7: is an opposite end elevational view thereof.

**1 Claim, 3 Drawing Sheets**



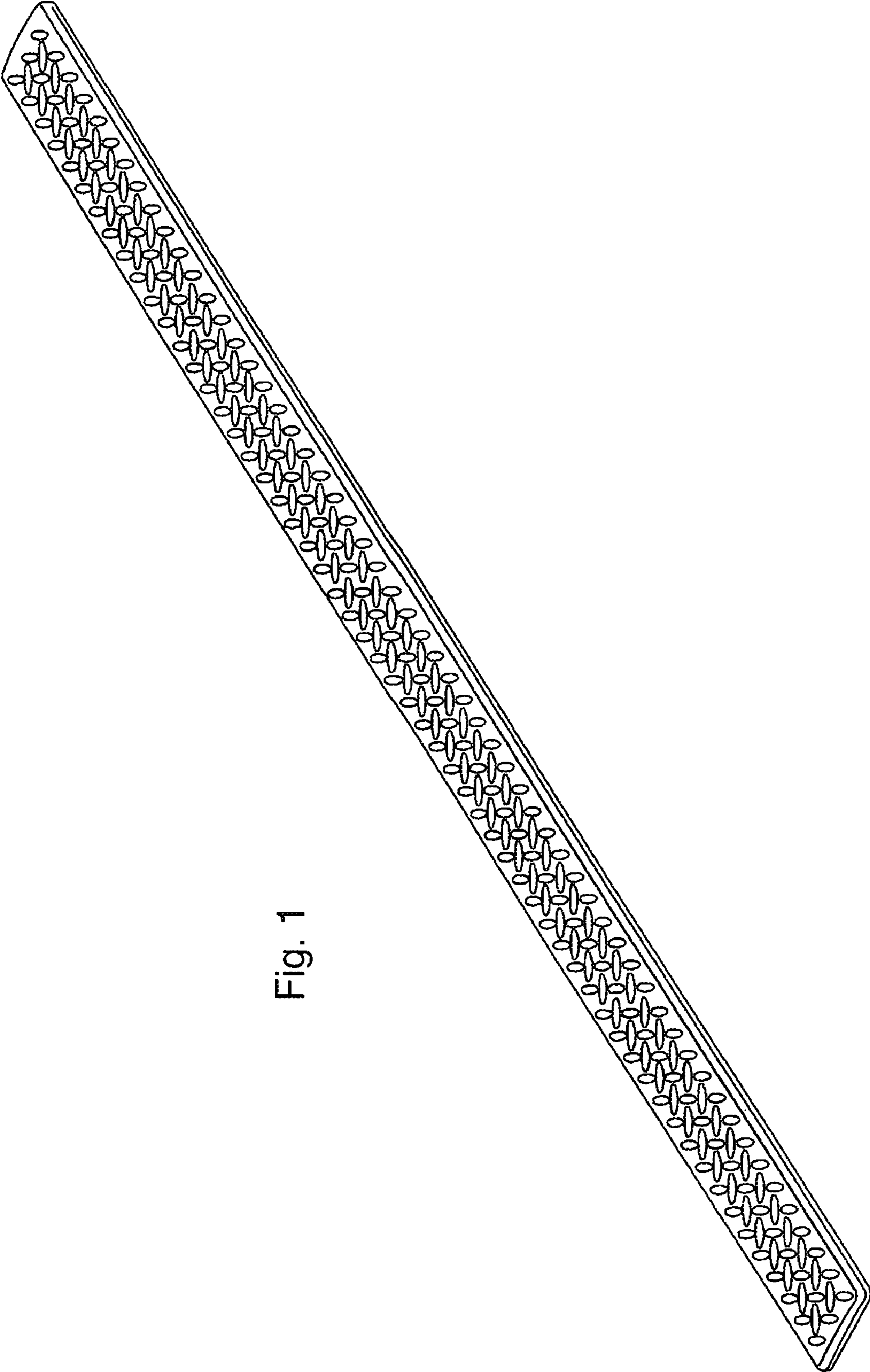


Fig. 1

Fig. 2



Fig. 3

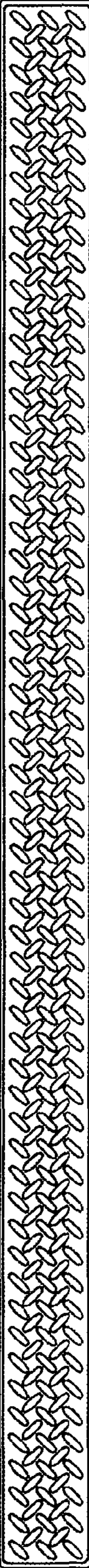


Fig. 4



Fig. 5

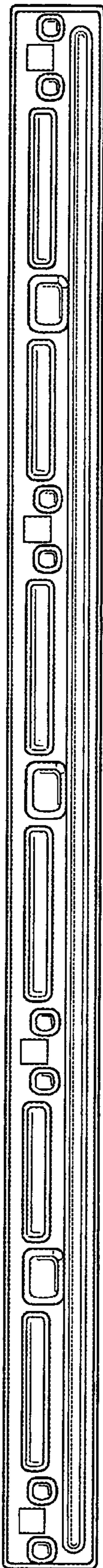


Fig. 6



Fig. 7

