



US00D657723S

(12) **United States Design Patent**
Gohr et al.

(10) **Patent No.:** **US D657,723 S**

(45) **Date of Patent:** **** Apr. 17, 2012**

(54) **BRAKE LEVER**

(75) Inventors: **Jeffrey S. Gohr**, Menomonee Falls, WI (US); **Ryan D. Janscha**, Brookfield, WI (US); **Noah C. Chapman**, Milwaukee, WI (US)

(73) Assignee: **HB Performance Systems, Inc.**, Mequon, WI (US)

(**) Term: **14 Years**

(21) Appl. No.: **29/386,820**

(22) Filed: **Mar. 4, 2011**

(51) **LOC (9) Cl.** **12-11**

(52) **U.S. Cl.** **D12/179**

(58) **Field of Classification Search** D12/179, D12/180, 110, 111, 107; 74/486-489, 491, 74/502.1, 473.13-473.15, 551.8, 551.9, 523-525; D8/303, 305, DIG. 8, 308; 188/24.11, 24.21, 188/24.22, 344, 2 D; 200/332, 335, 553, 200/61.85-61.88; 180/219, 220

See application file for complete search history.

(56) **References Cited**

U.S. PATENT DOCUMENTS

5,311,792	A *	5/1994	Brown et al.	74/489
D473,830	S *	4/2003	Ito et al.	D12/179
6,835,904	B2 *	12/2004	McGuire et al.	200/61.87
D619,944	S *	7/2010	Shimizugami	D12/179
8,061,234	B2 *	11/2011	Lavezzi et al.	74/522

OTHER PUBLICATIONS

2009 Harley-Davidson® Genuine Motor Accessories and Genuine Motor Parts catalog, Softail® Skull Collection Hand Control Lever shown and described on p. 307, item I.*

* cited by examiner

Primary Examiner — Susan M Lee

Assistant Examiner — Linda G. Brooks

(74) *Attorney, Agent, or Firm* — Michael Best & Friedrich LLP

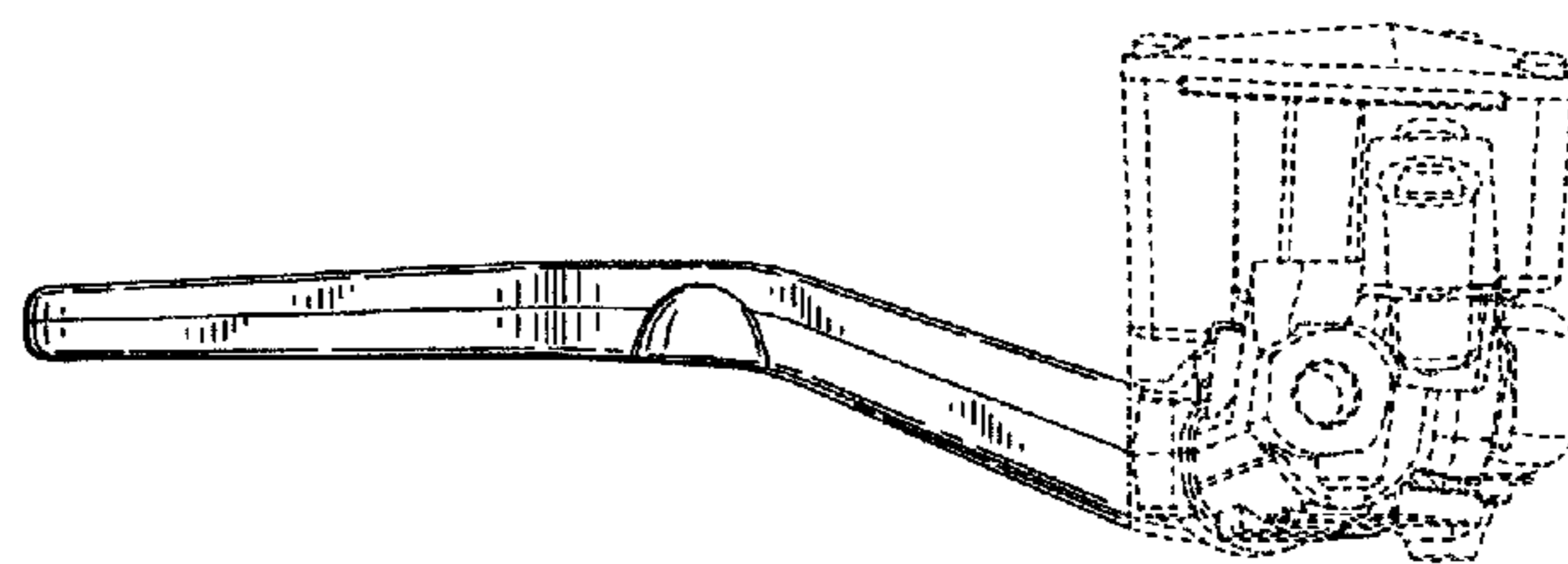
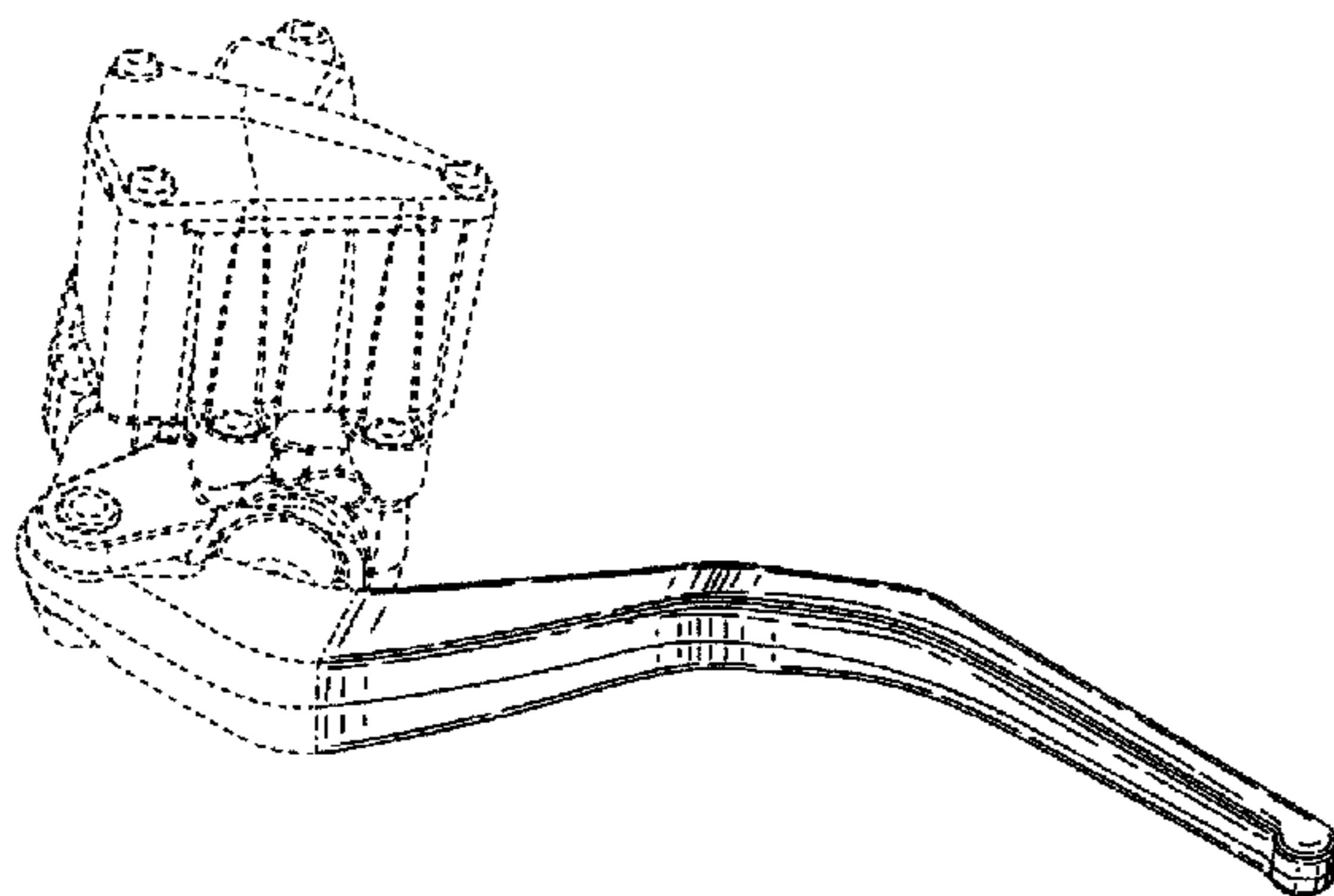
(57) **CLAIM**

We claim the ornamental design for a brake lever, as shown and described.

DESCRIPTION

FIG. 1 is a perspective view of a brake lever. FIG. 2 is a front view of the brake lever shown in FIG. 1. FIG. 3 is a rear view of the brake lever shown in FIG. 1. FIG. 4 is a right side view of the brake lever shown in FIG. 1. FIG. 5 is a left side view of the brake lever shown in FIG. 1. FIG. 6 is a top view of the brake lever shown in FIG. 1; and, FIG. 7 is a bottom view of the brake lever shown in FIG. 1. The broken line showing of the environment is for illustrative purposes only and forms no part of the claimed designs. The broken lines which define the boundaries of the claimed designs form no part thereof.

1 Claim, 6 Drawing Sheets



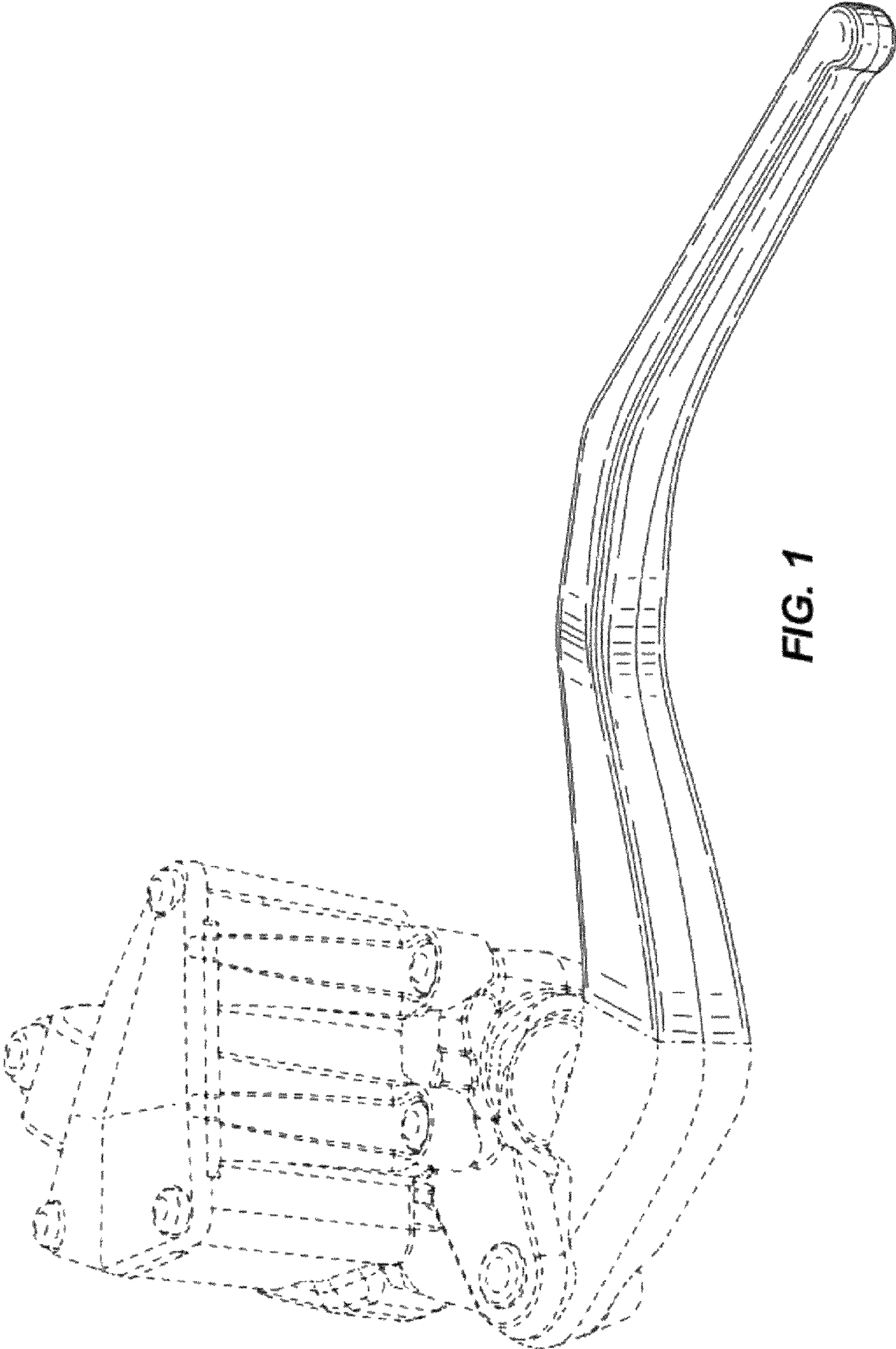


FIG. 1

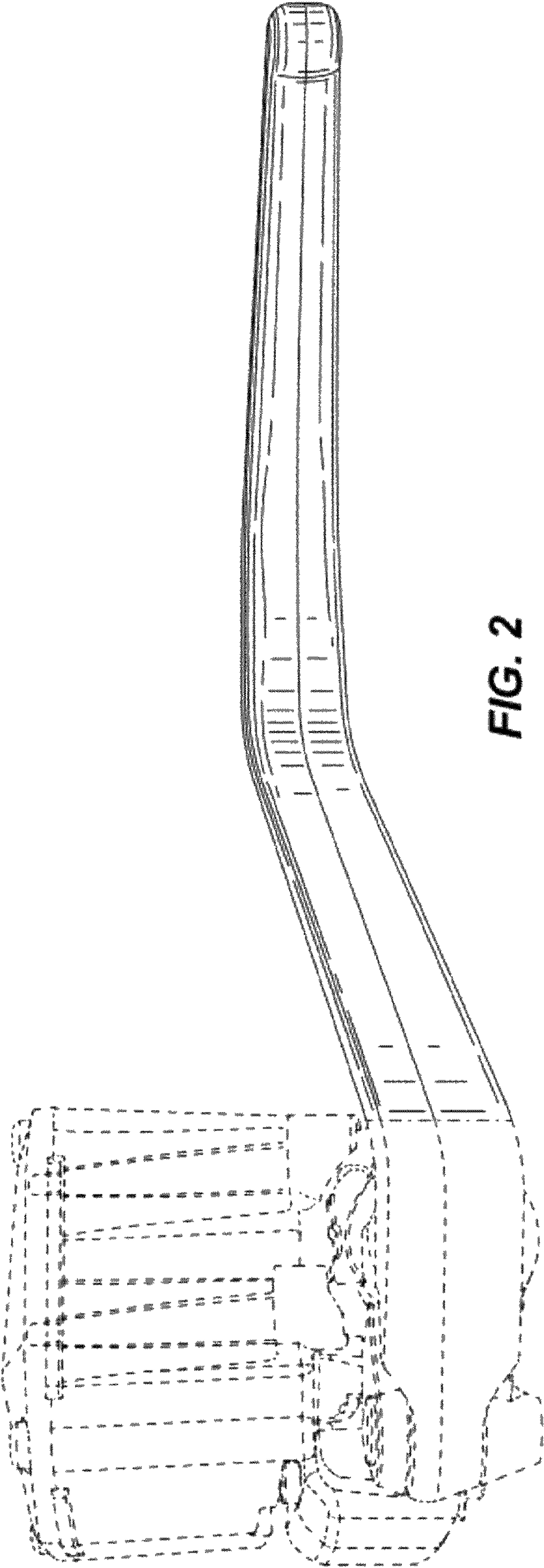


FIG. 2

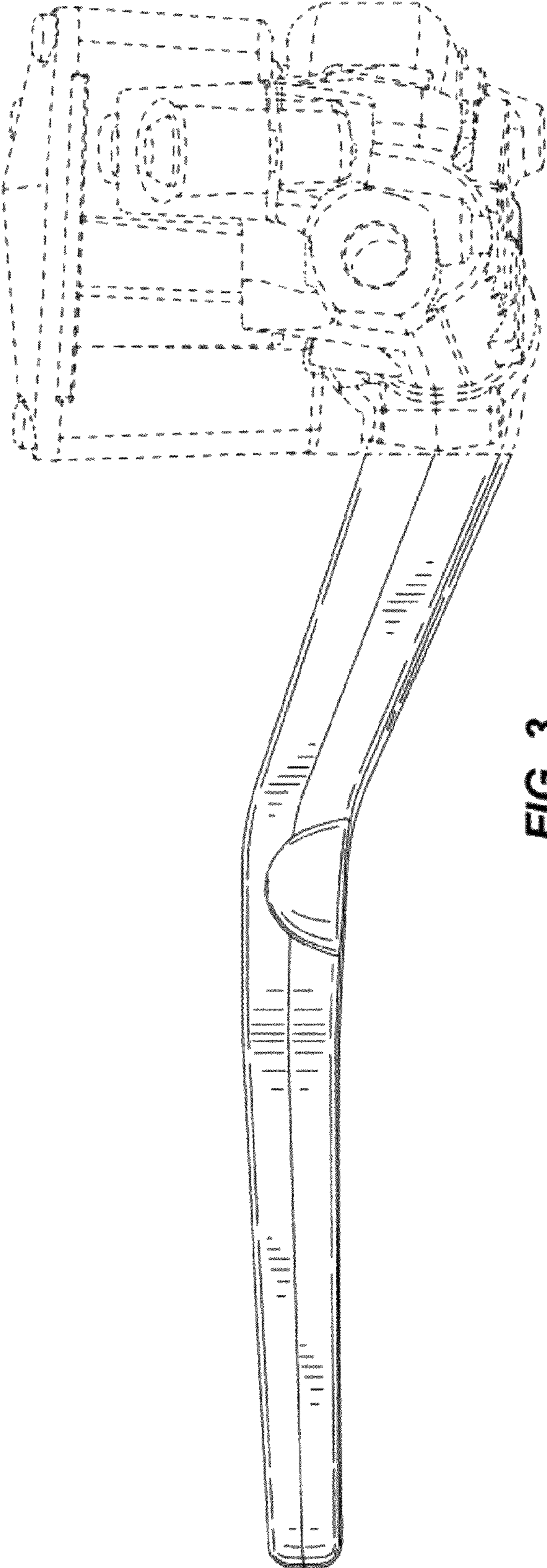


FIG. 3

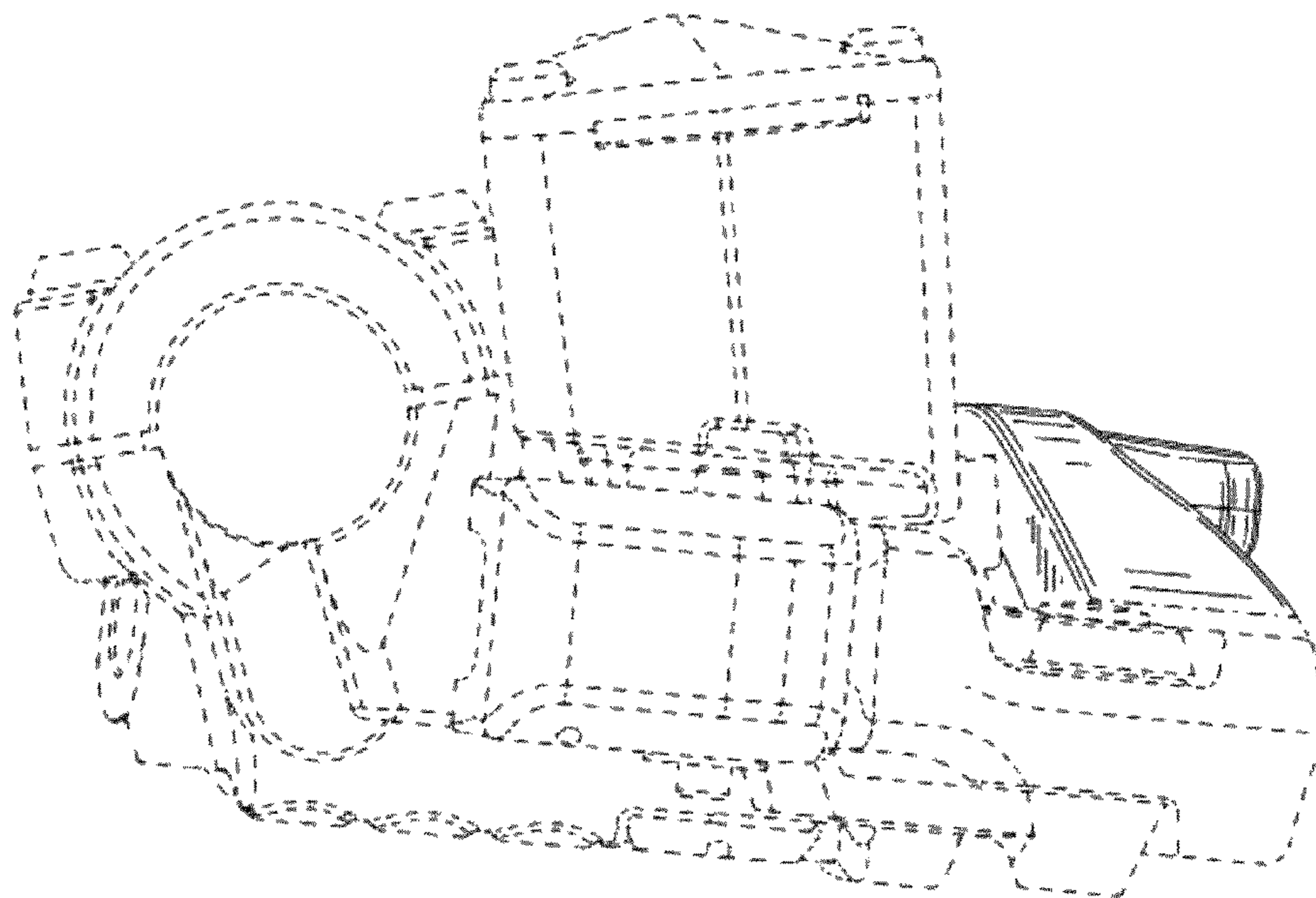


FIG. 4

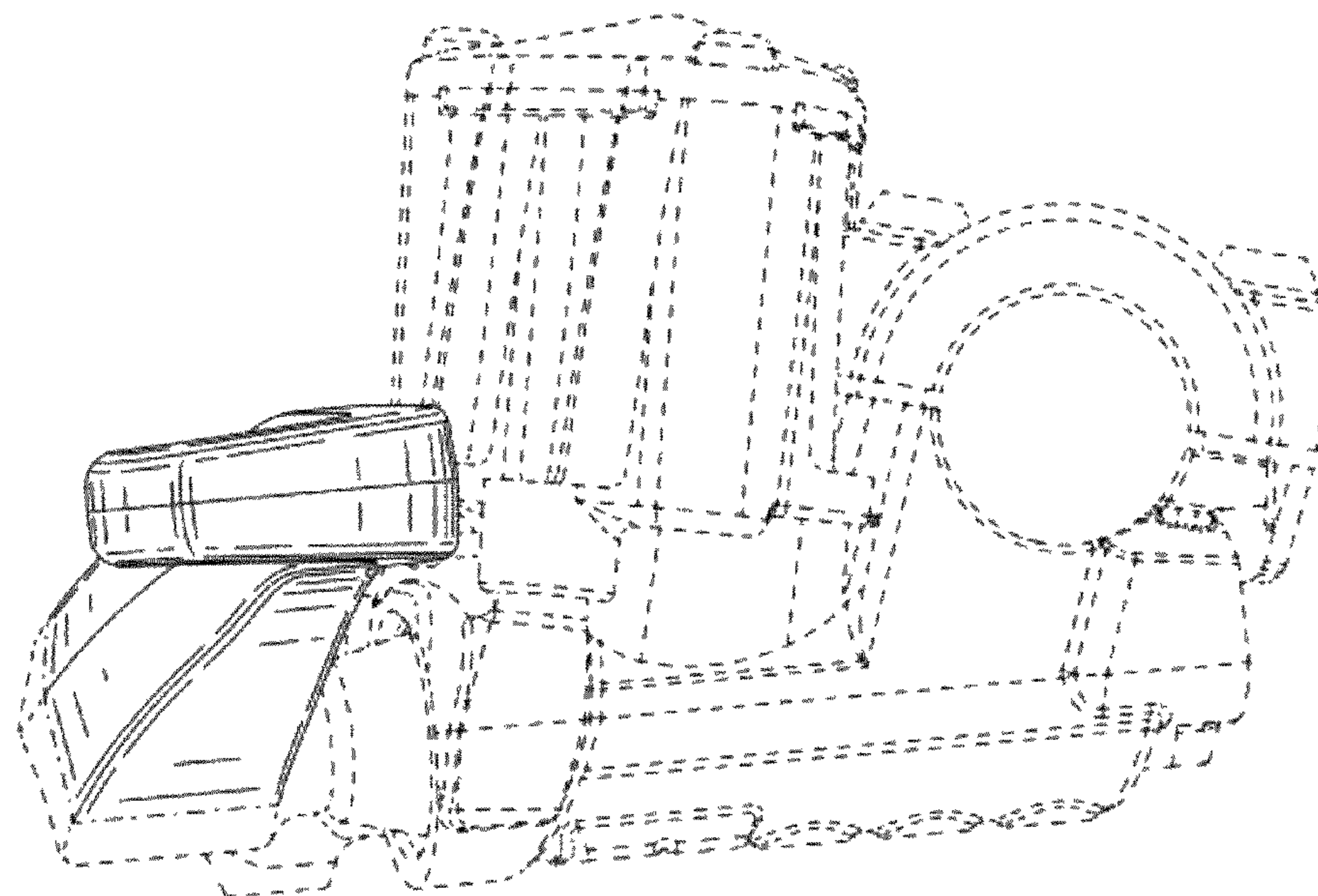


FIG. 5

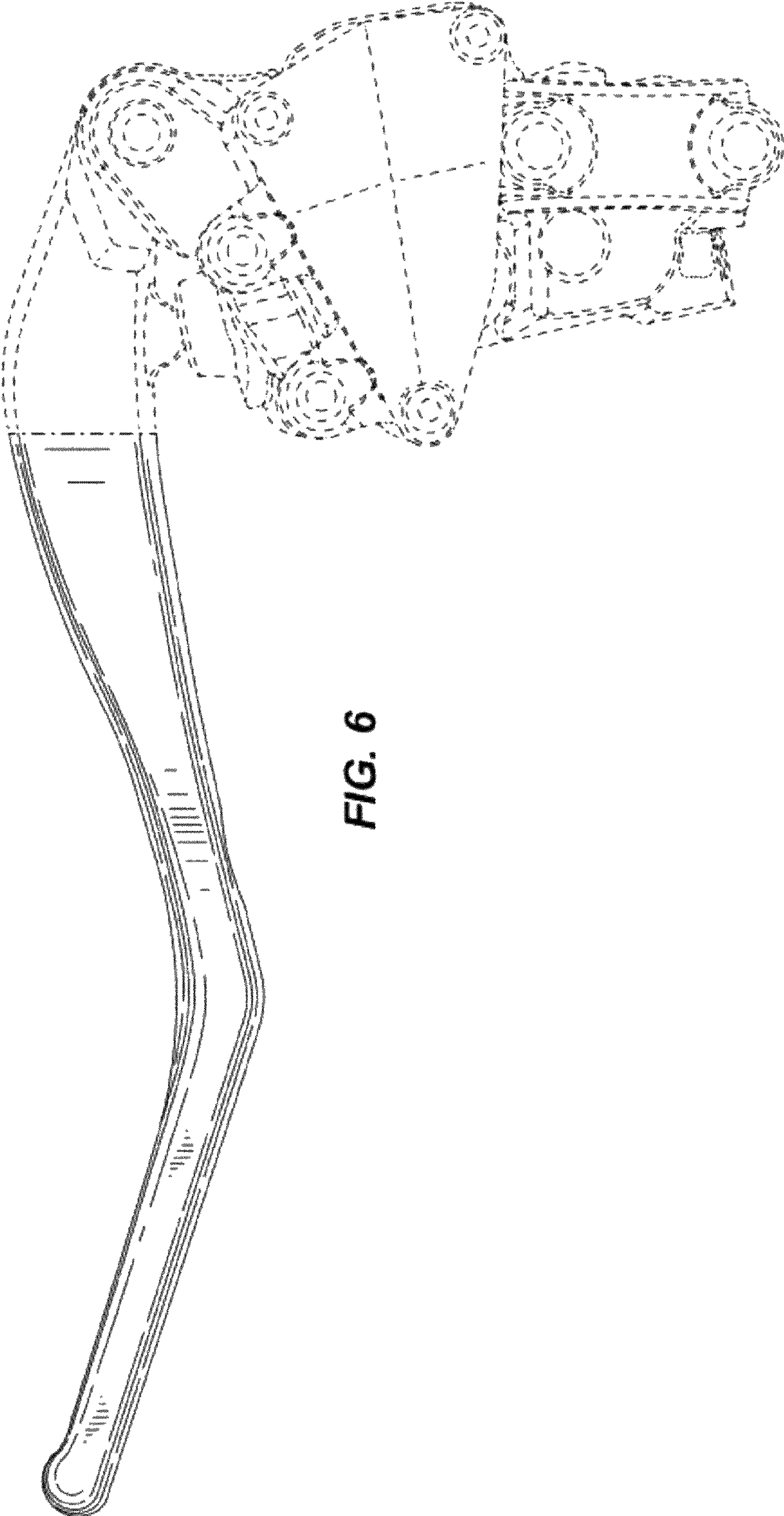


FIG. 6

