

US00D657721S

(12) **United States Design Patent**
Miyanishi

(10) **Patent No.:** **US D657,721 S**

(45) **Date of Patent:** **** Apr. 17, 2012**

(54) **ATV**

(75) **Inventor:** **Shuichi Miyanishi**, Irvine, CA (US)

(73) **Assignee:** **Kawasaki Jukogyo Kabushiki Kaisha**,
Hyogo (JP)

(**) **Term:** **14 Years**

(21) **Appl. No.:** **29/385,126**

(22) **Filed:** **Feb. 9, 2011**

(51) **LOC (9) Cl.** **12-11**

(52) **U.S. Cl.** **D12/107**

(58) **Field of Classification Search** D12/3,
D12/86, 87, 107, 110; 180/223, 225, 233,
180/229, 311, 312, 315

See application file for complete search history.

(56) **References Cited**

U.S. PATENT DOCUMENTS

D584,661 S * 1/2009 Tanaka et al. D12/107
D585,792 S * 2/2009 Chao et al. D12/107

D620,399 S * 7/2010 Wu et al. D12/107

* cited by examiner

Primary Examiner — Philip S Hyder

Assistant Examiner — Linda G. Brooks

(57) **CLAIM**

The ornamental design for an ATV, as shown and described.

DESCRIPTION

FIG. 1 is a front elevational view of an ATV showing my new design;

FIG. 2 is a rear elevational view thereof;

FIG. 3 is a left side elevational view thereof;

FIG. 4 is a right side elevational view thereof;

FIG. 5 is a top plan view thereof;

FIG. 6 is a front left perspective view thereof;

FIG. 7 is a rear left perspective view thereof;

FIG. 8 is a front right perspective view thereof; and,

FIG. 9 is a rear right perspective view thereof.

The broken lines represent unclaimed portions of the ATV.

1 Claim, 9 Drawing Sheets

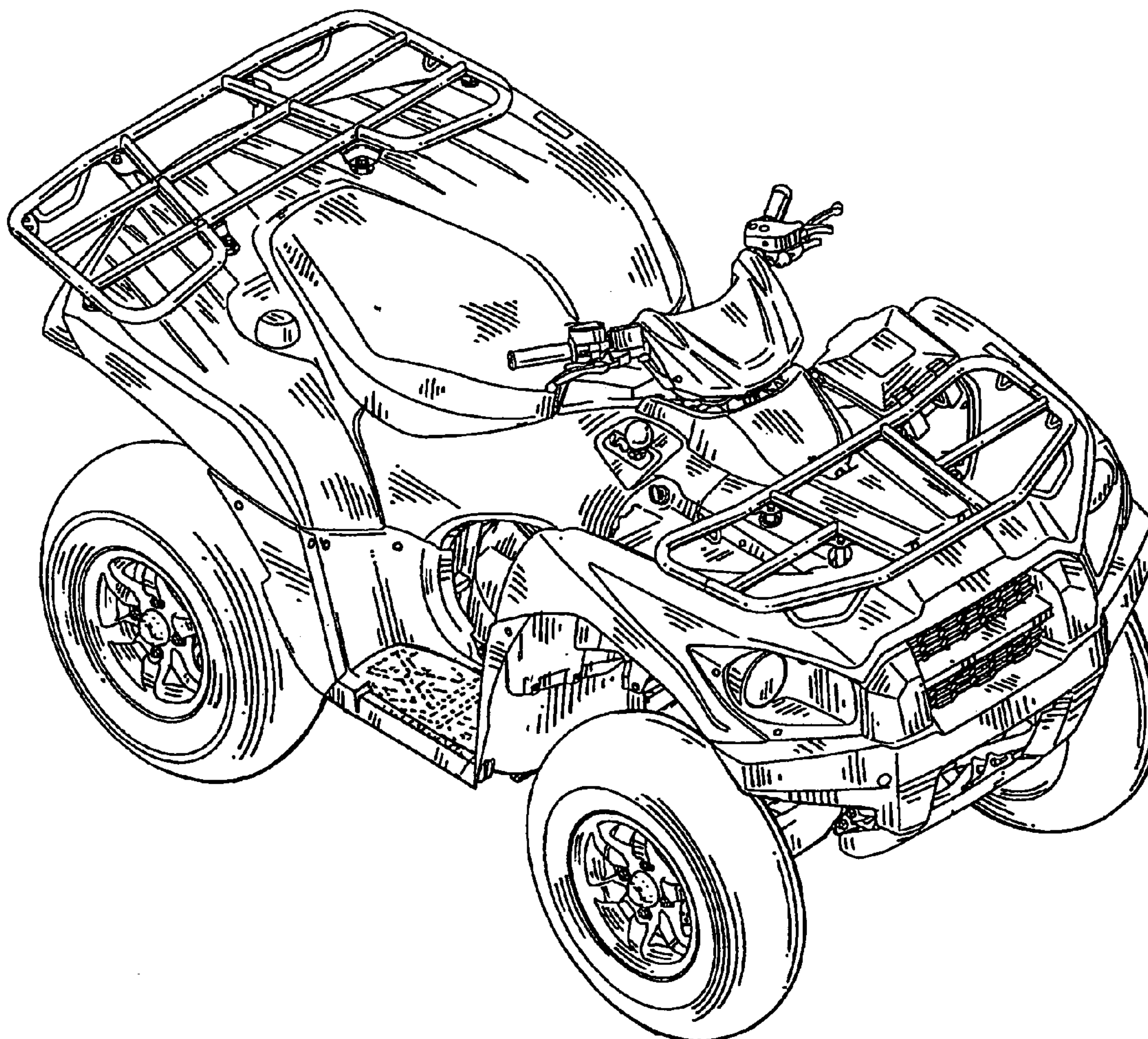


Fig. 1

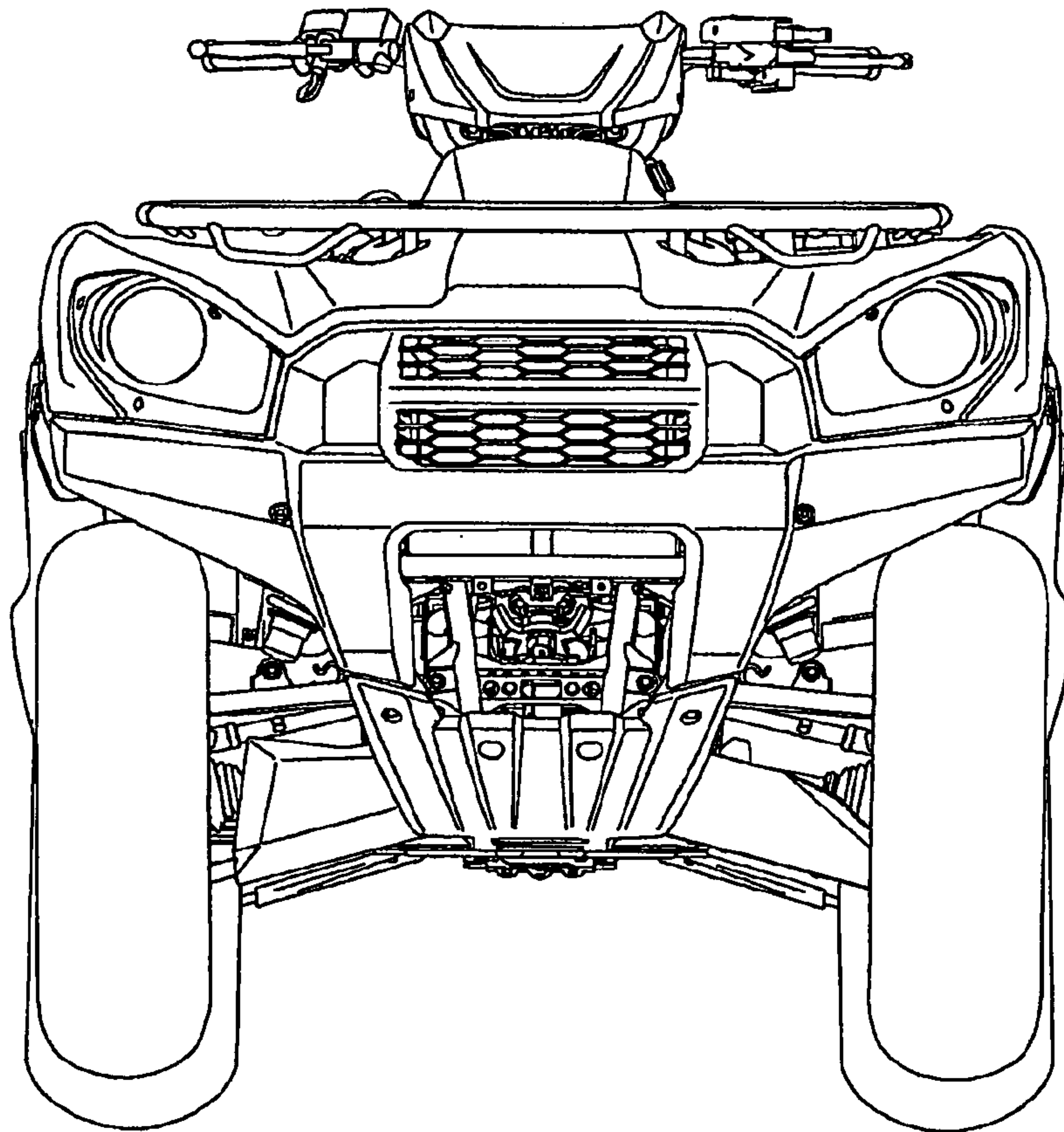
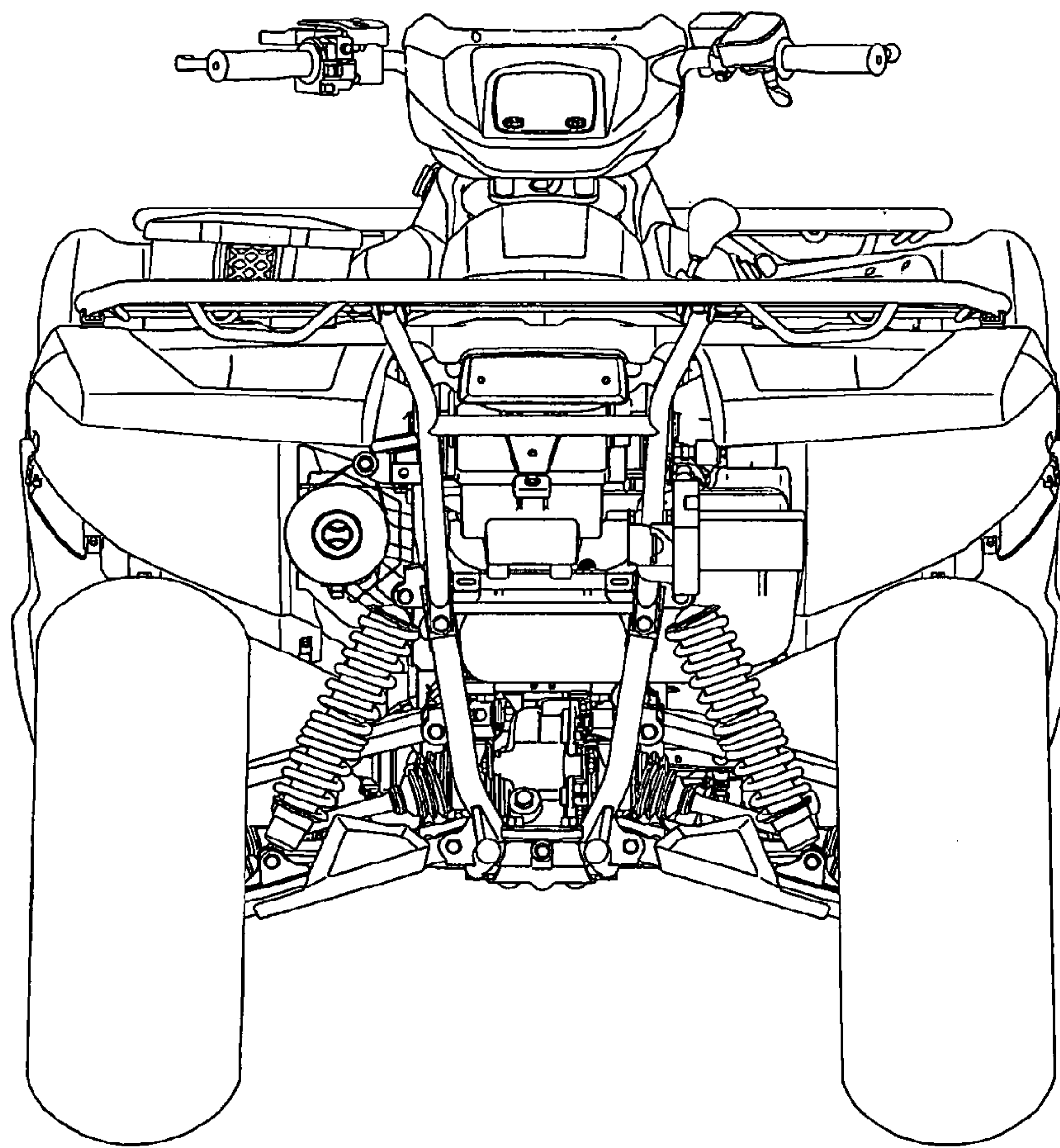


Fig. 2



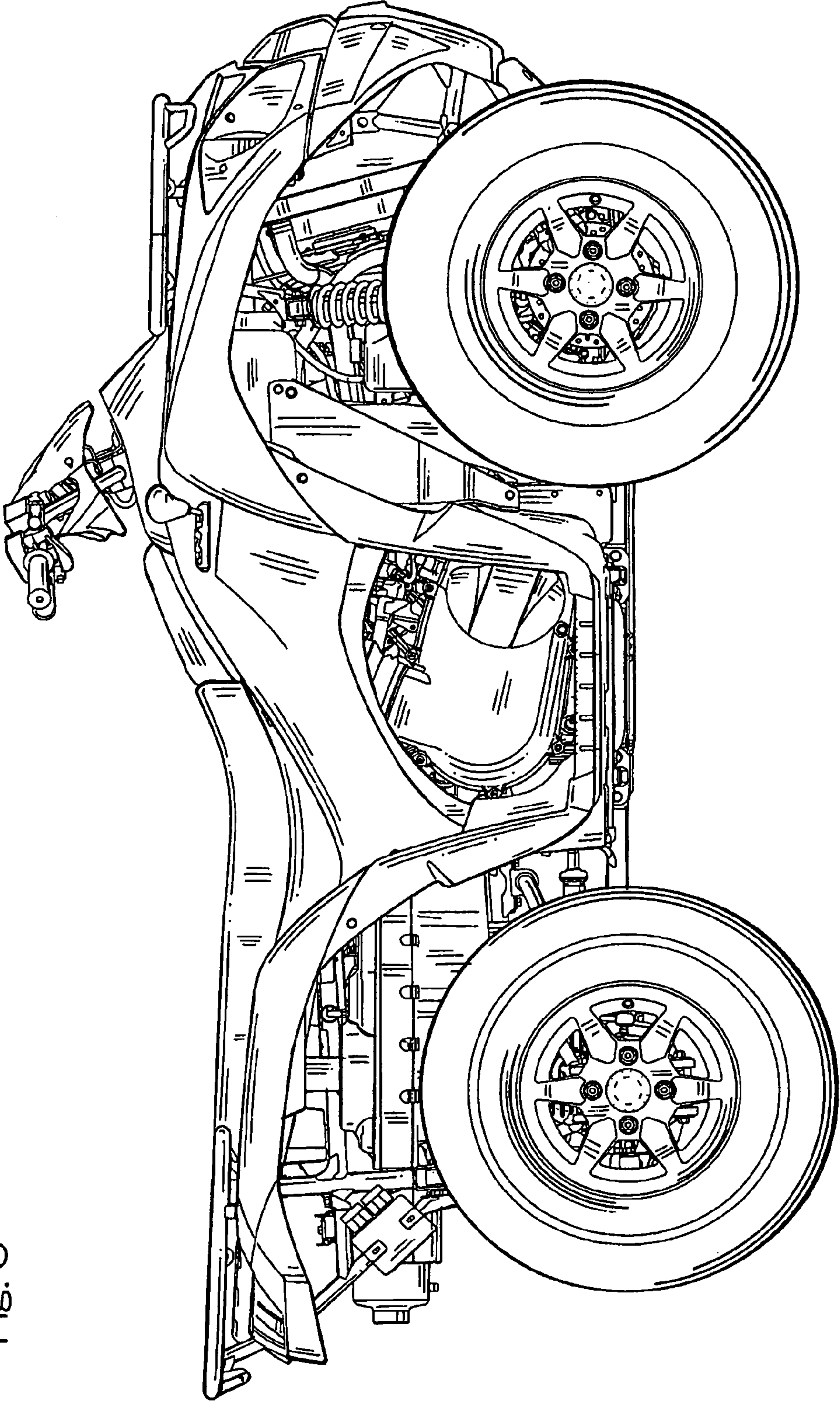


Fig. 3

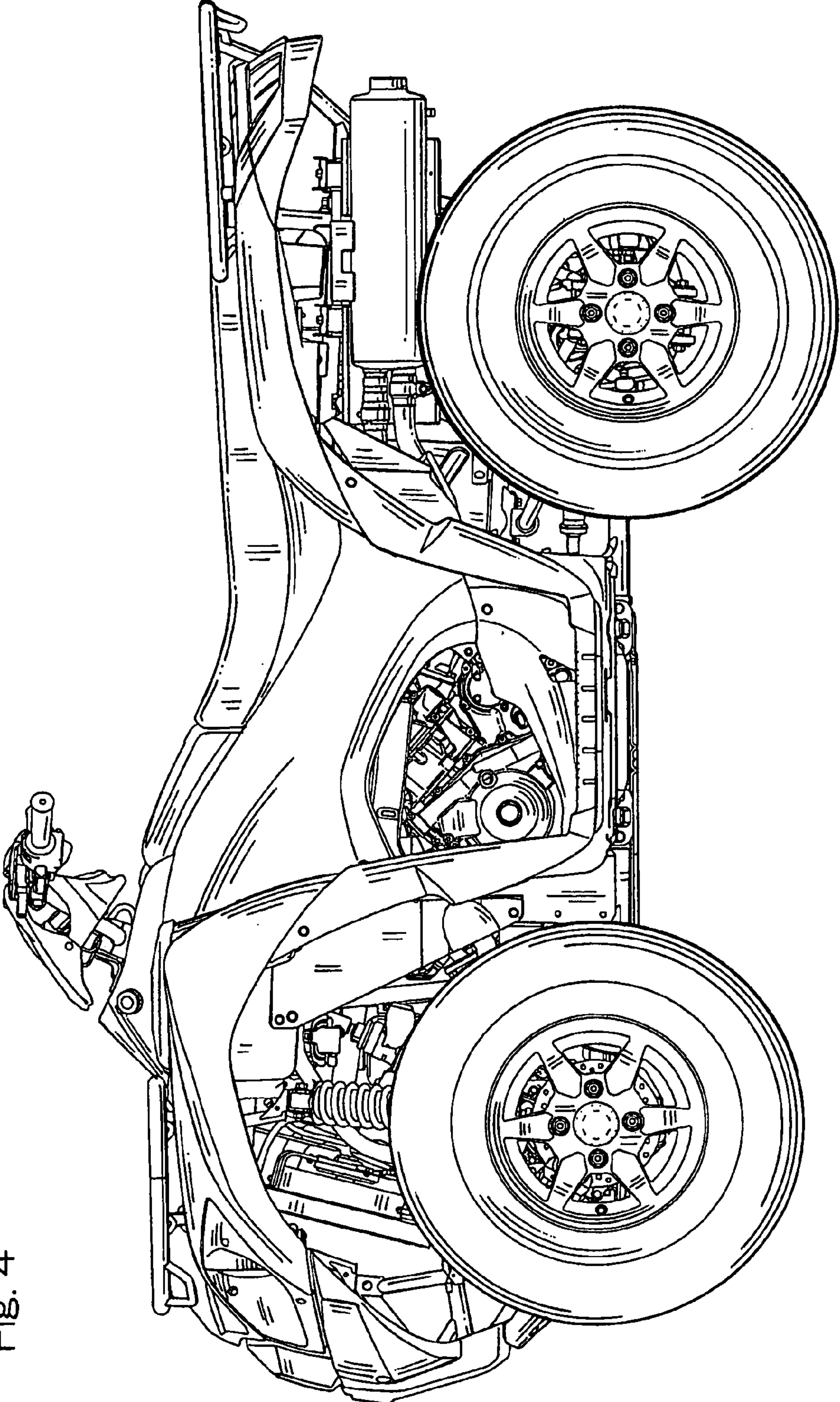
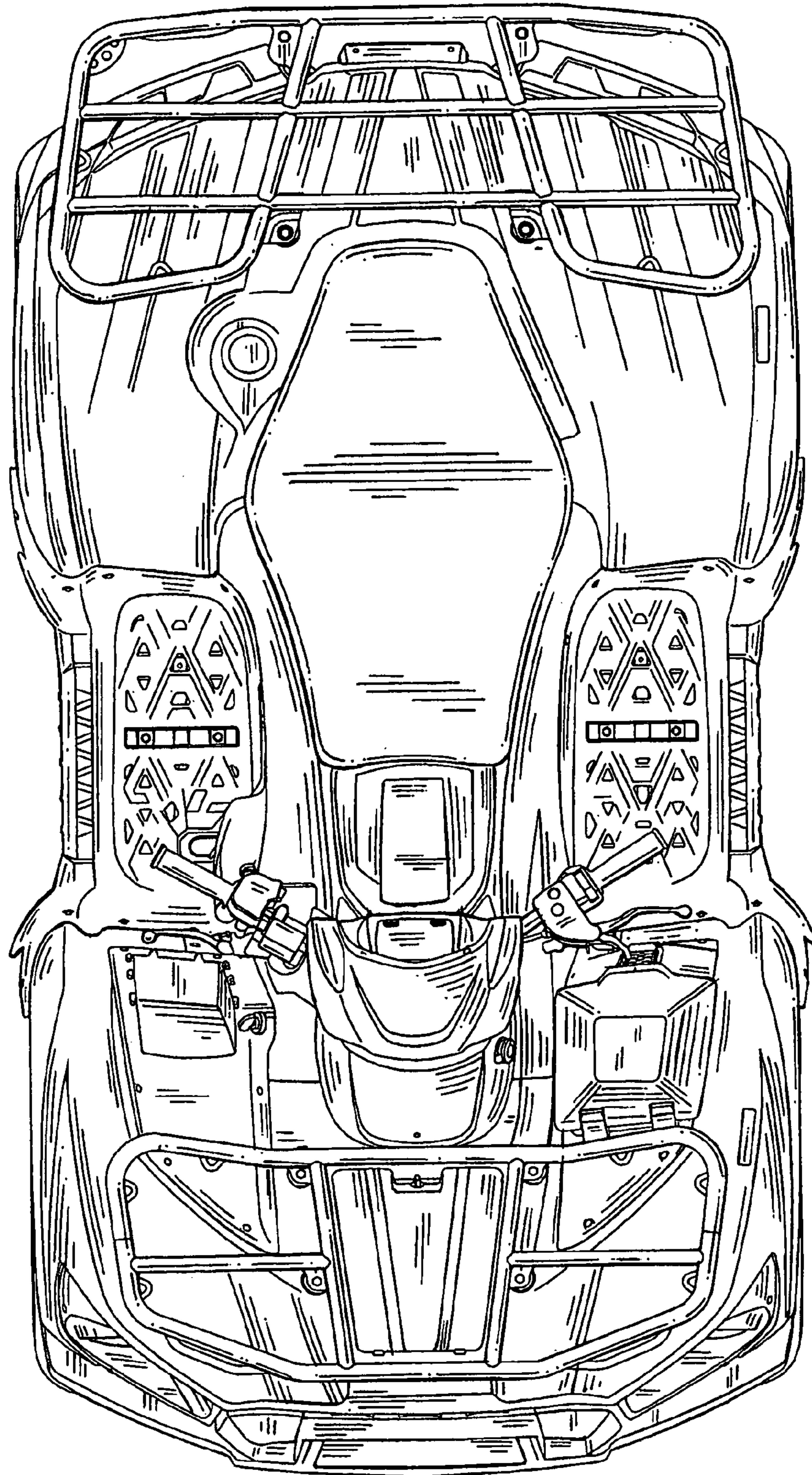


Fig. 4

Fig. 5



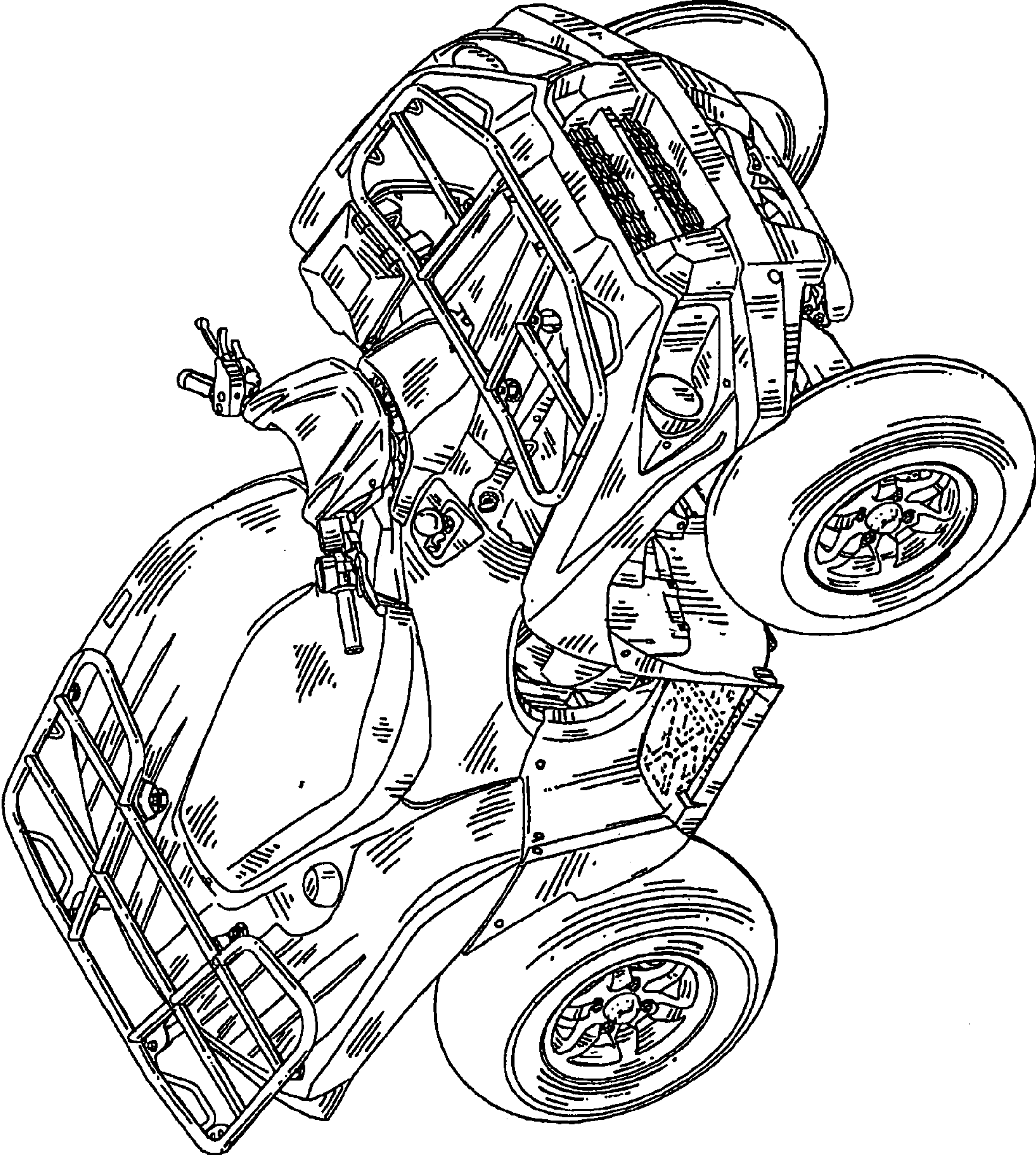


Fig. 6

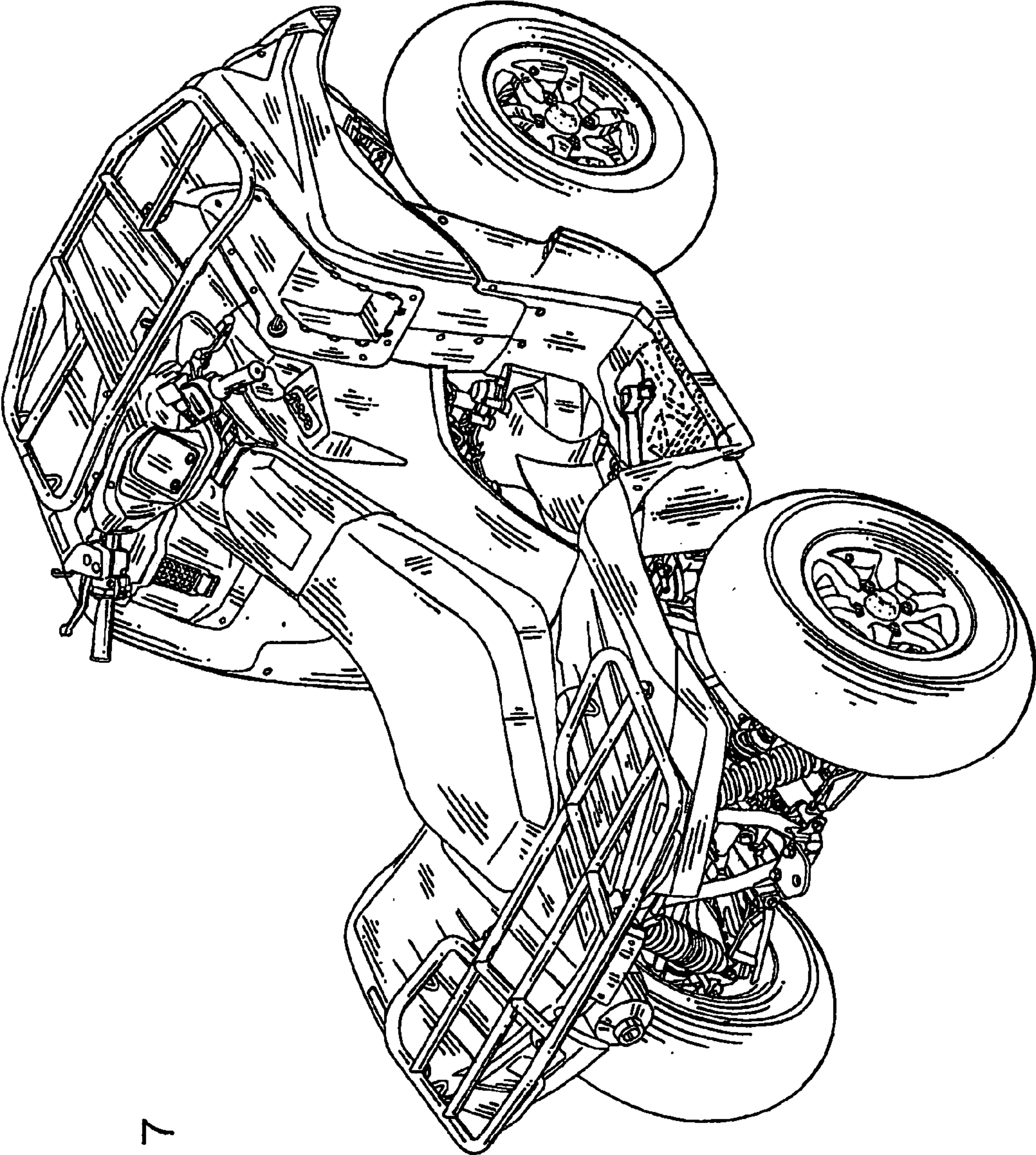


Fig. 7

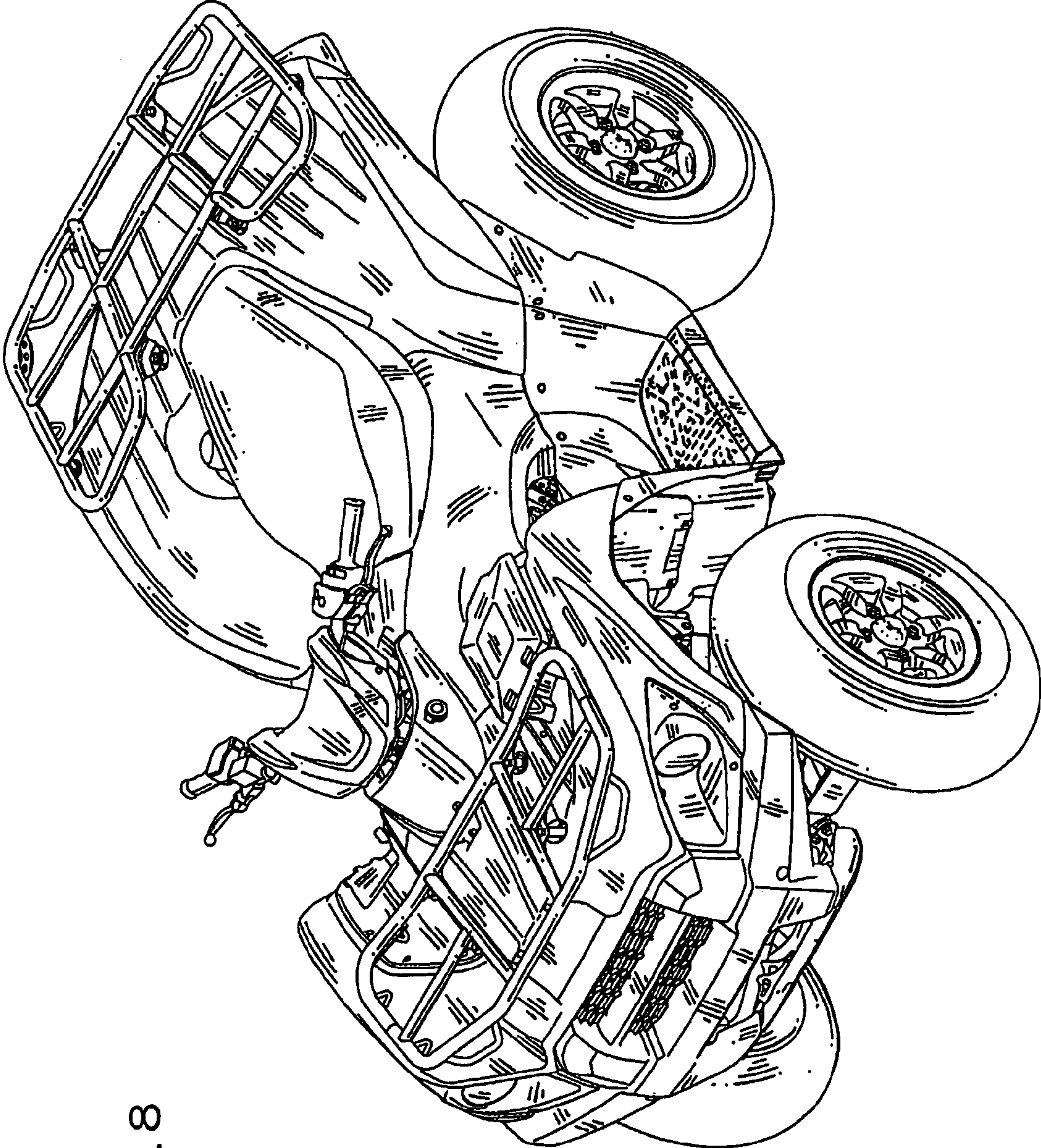


Fig. 8

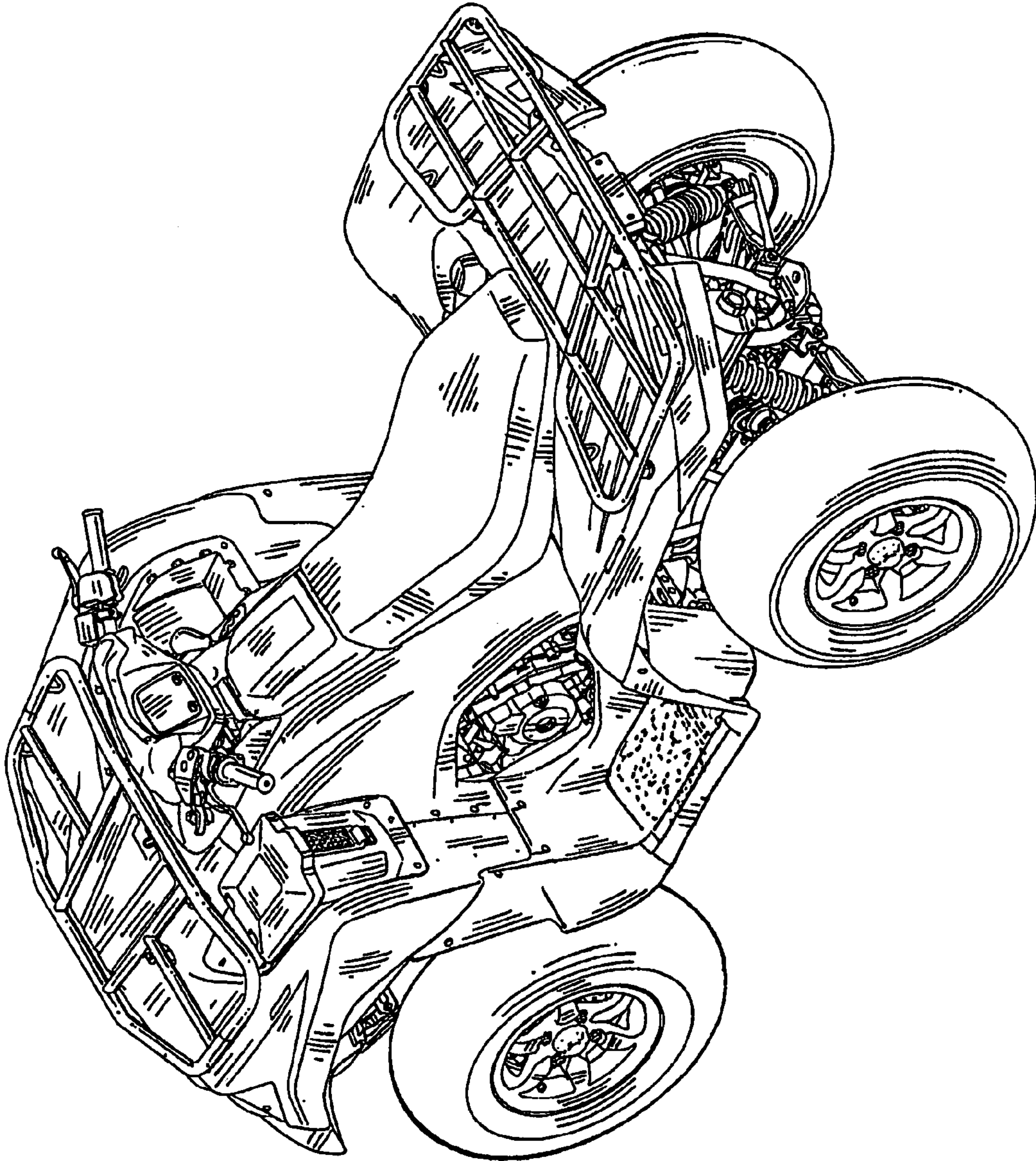


Fig. 9