



US00D657717S

(12) **United States Design Patent**
Stimel, Jr.

(10) **Patent No.:** **US D657,717 S**

(45) **Date of Patent:** **** *Apr. 17, 2012**

(54) **AERODYNAMIC TRUCK ROOF**

(56) **References Cited**

(75) Inventor: **William E. Stimel, Jr.**, Alexandria, OH
(US)

(73) Assignee: **CVG Management Corporation**, New
Albany, OH (US)

(*) Notice: This patent is subject to a terminal dis-
claimer.

(**) Term: **14 Years**

(21) Appl. No.: **29/369,691**

(22) Filed: **Sep. 11, 2010**

(51) **LOC (9) Cl.** **12-16**

(52) **U.S. Cl.** **D12/96**

(58) **Field of Classification Search** D12/93,
D12/96, 97, 99; D15/10, 28, 23, 30; 180/89.16,
180/89.18, 89.19, 89.1, 89.12, 89.13; 296/183.1,
296/190.1, 190.01; 187/237, 238, 414; 414/680,
414/685-688, 694

See application file for complete search history.

U.S. PATENT DOCUMENTS

D422,944 S *	4/2000	Hellhake et al.	D12/96
D424,476 S *	5/2000	Hellhake et al.	D12/96
D434,347 S *	11/2000	Damon et al.	D12/96
D540,219 S *	4/2007	Oka	D12/96
D570,740 S *	6/2008	Emoto et al.	D12/96
D570,741 S *	6/2008	Emoto et al.	D12/96
D571,859 S *	6/2008	Harmston	D19/69
D593,907 S *	6/2009	Piedy	D12/96
D626,890 S *	11/2010	Cantemir	D12/96
D634,244 S *	3/2011	Aris et al.	D12/96

* cited by examiner

Primary Examiner — Melody N Brown
(74) *Attorney, Agent, or Firm* — Kegler Brown Hill & Ritter;
James J. Pingor

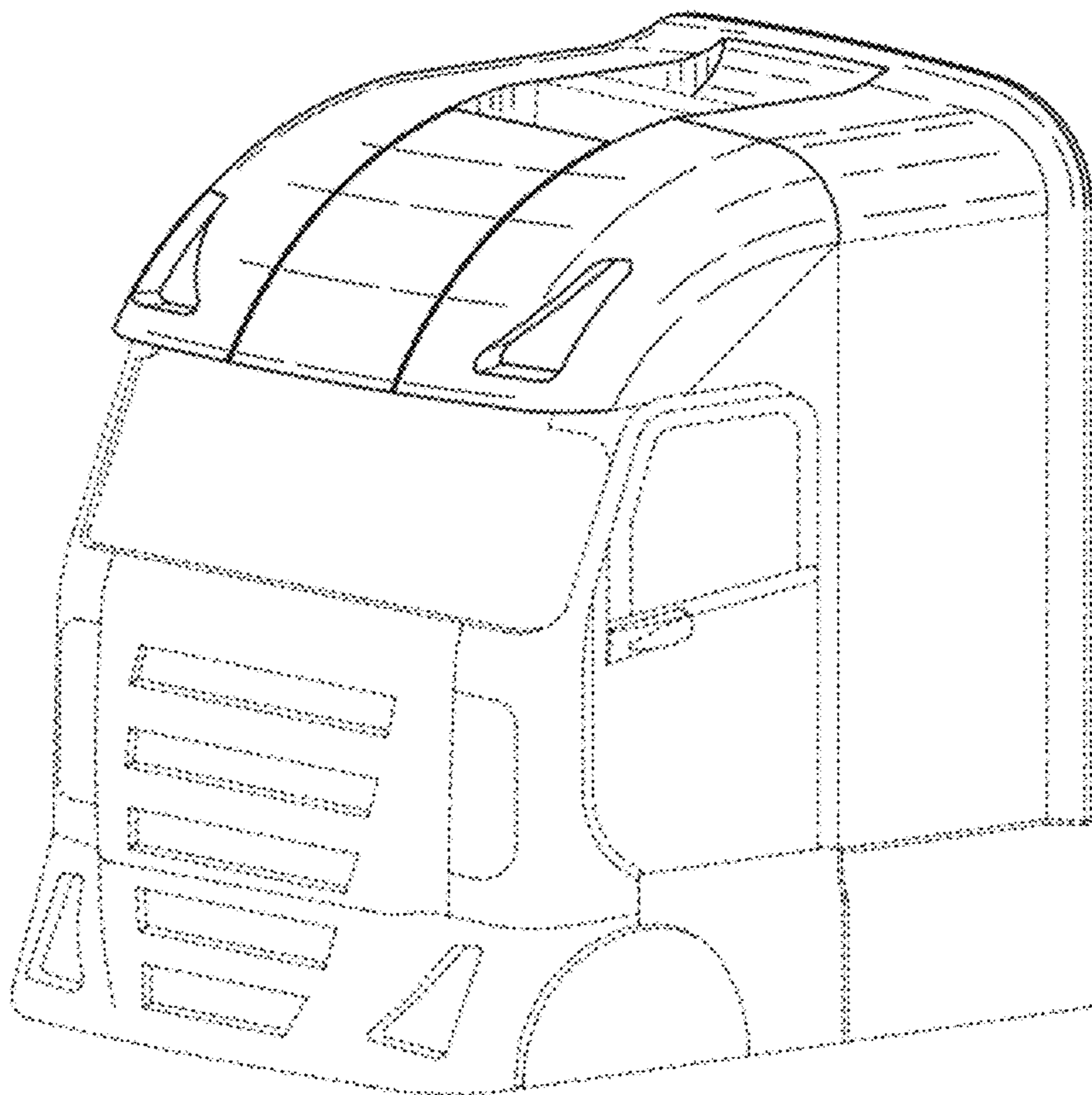
(57) **CLAIM**

I claim the ornamental design of a aerodynamic truck roof, as
shown and described.

DESCRIPTION

FIG. 1 is a left front perspective view of an aerodynamic truck
roof;
FIG. 2 is a front view thereof; and,
FIG. 3 is a top view thereof.

1 Claim, 3 Drawing Sheets



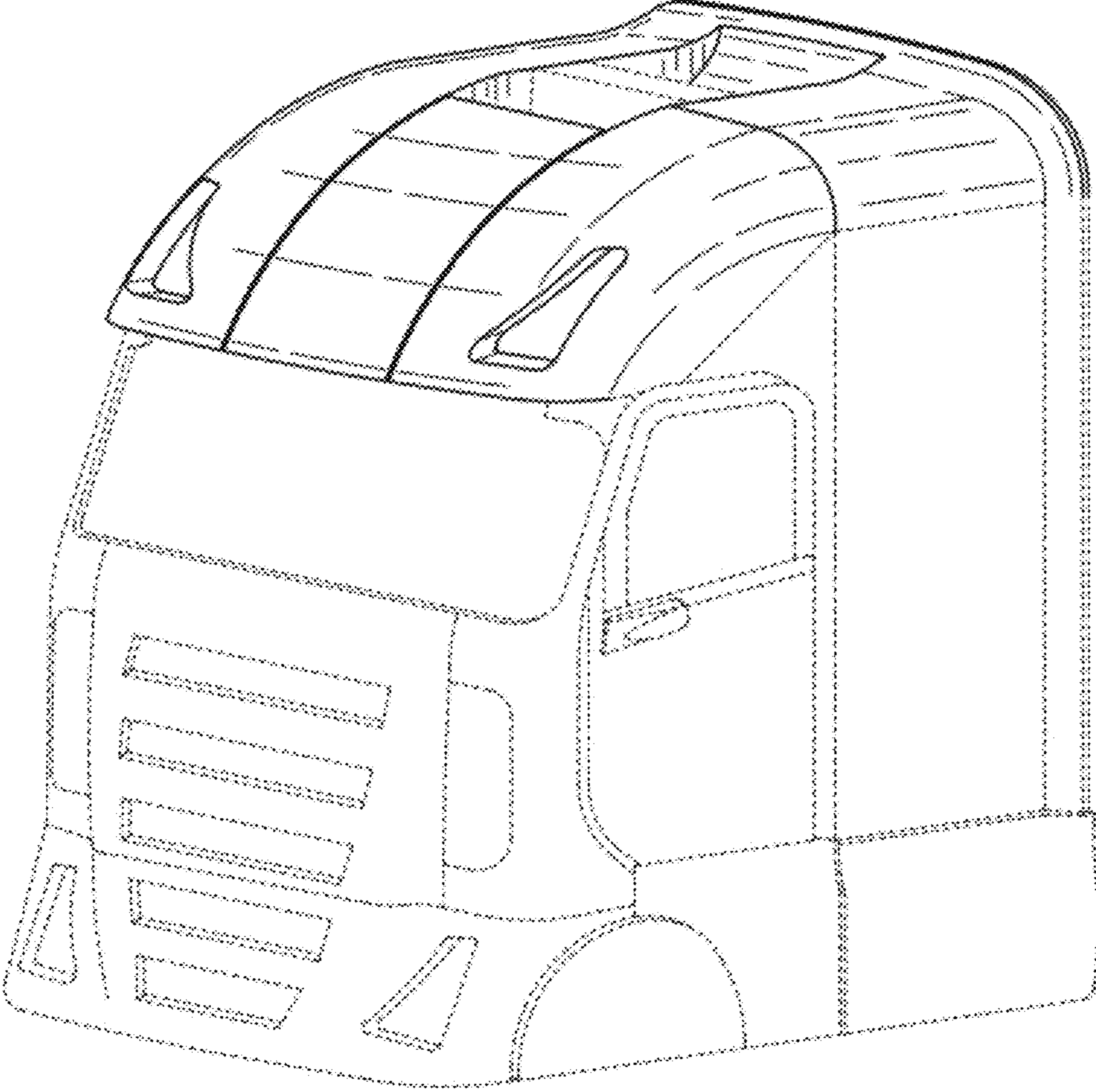


Fig. 1

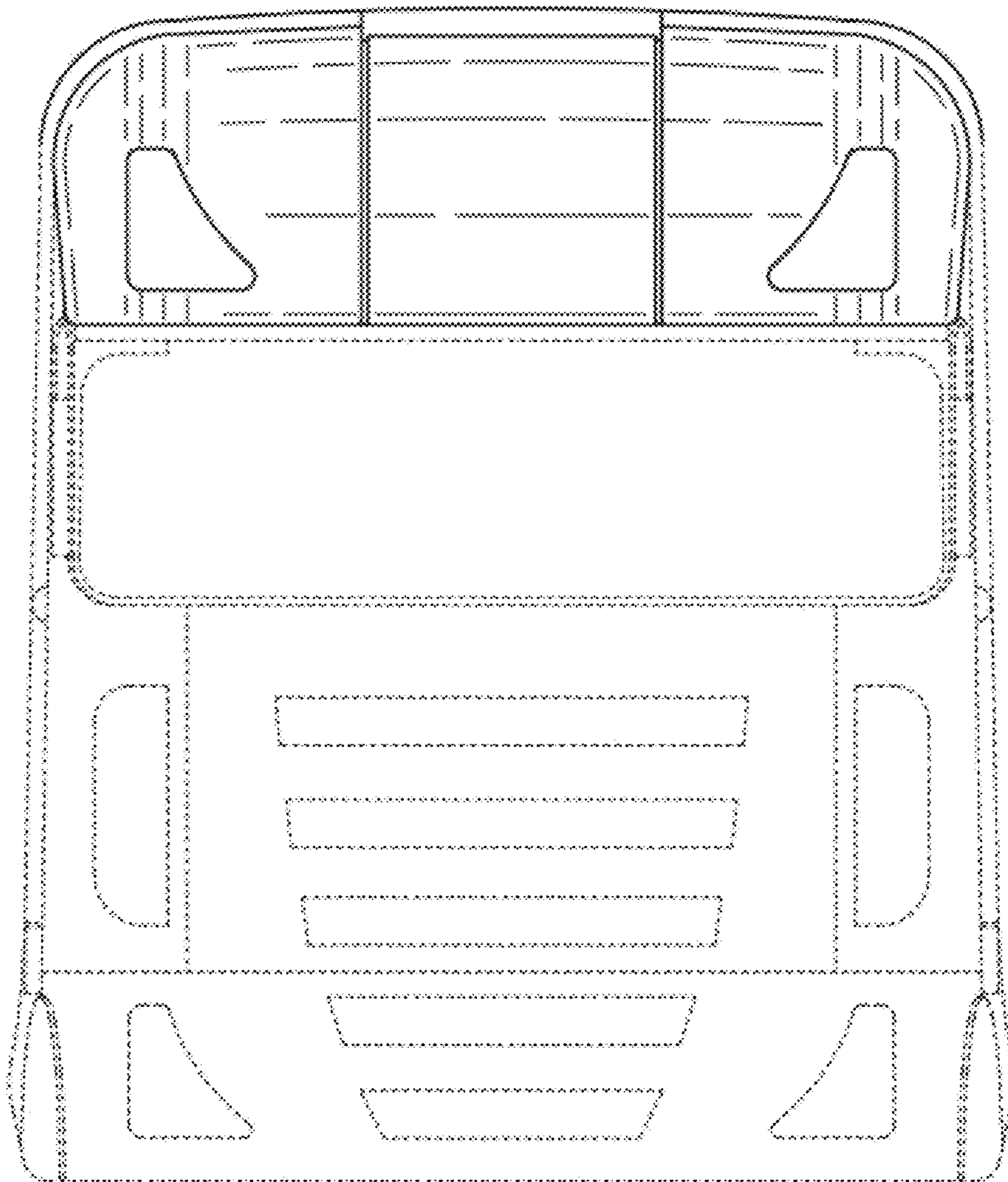


Fig. 2

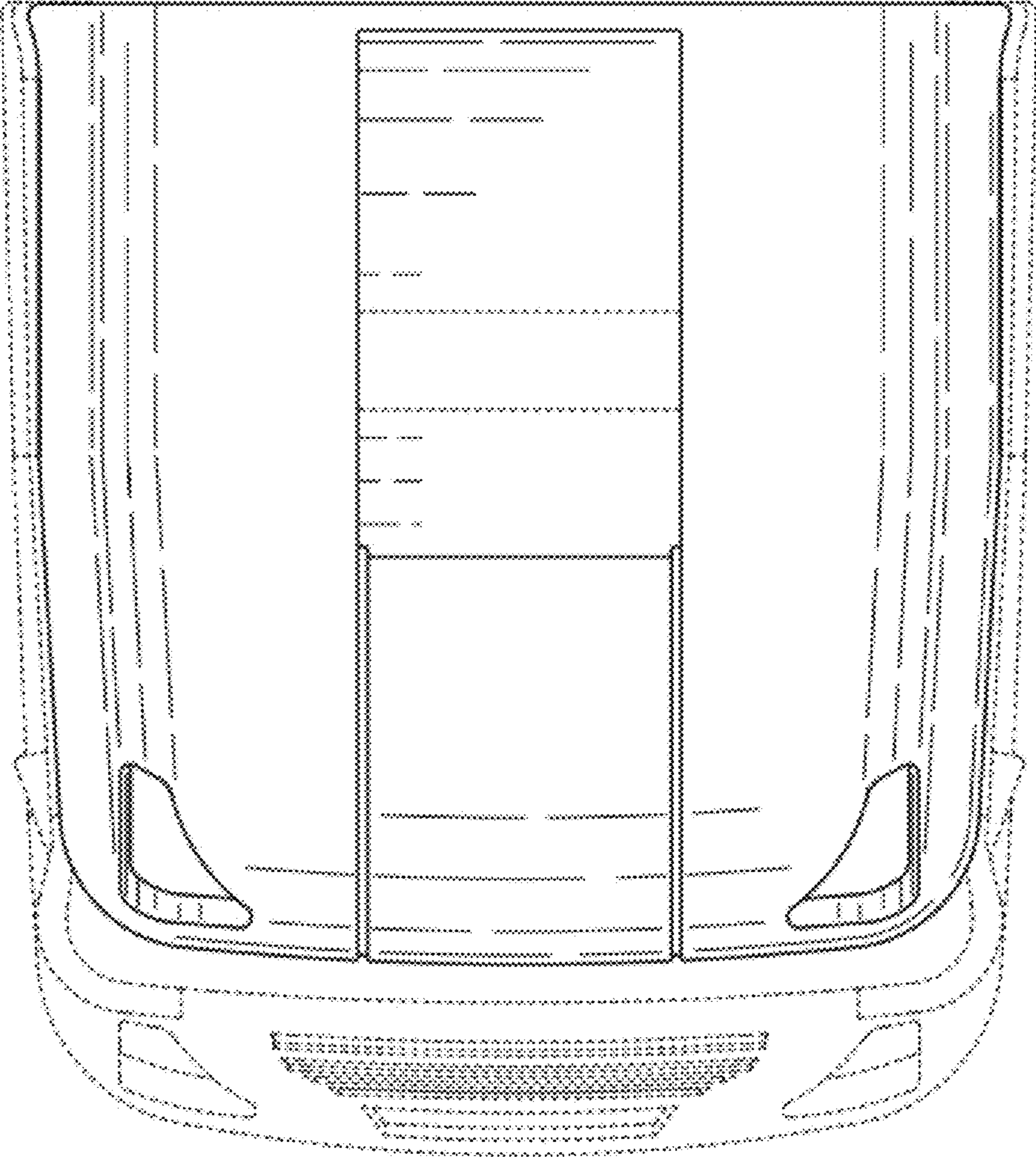


Fig. 3