



US00D657714S

(12) **United States Design Patent**
Eliason

(10) **Patent No.:** **US D657,714 S**

(45) **Date of Patent:** **** Apr. 17, 2012**

(54) **SNOW SLED**

2009/0179392 A1* 7/2009 Kuhbacher 280/15

* cited by examiner

(76) Inventor: **Brian Eliason**, Little Compton, RI (US)

Primary Examiner — T. Chase Nelson

Assistant Examiner — Ania Aman

(**) Term: **14 Years**

(74) *Attorney, Agent, or Firm* — Barlow, Josephs & Holmes, Ltd.

(21) Appl. No.: **29/400,321**

(22) Filed: **Aug. 26, 2011**

(57) **CLAIM**

(51) **LOC (9) Cl.** **12-14**

The ornamental design for a snow sled, as shown and described.

(52) **U.S. Cl.** **D12/11**

(58) **Field of Classification Search** D12/1,
D12/5-11, 101; D21/302, 425, 483, 767,
D21/811, 828, 830, 831, 832, 814; 280/28,
280/8, 16, 26, 19, 18, 20

DESCRIPTION

See application file for complete search history.

FIG. 1 is a perspective view of a snow sled, showing my new design;

FIG. 2 is a right side view thereof;

FIG. 3 is a left side view thereof;

FIG. 4 is a top plan view thereof;

FIG. 5 is a bottom plan view thereof;

FIG. 6 is a front view thereof; and,

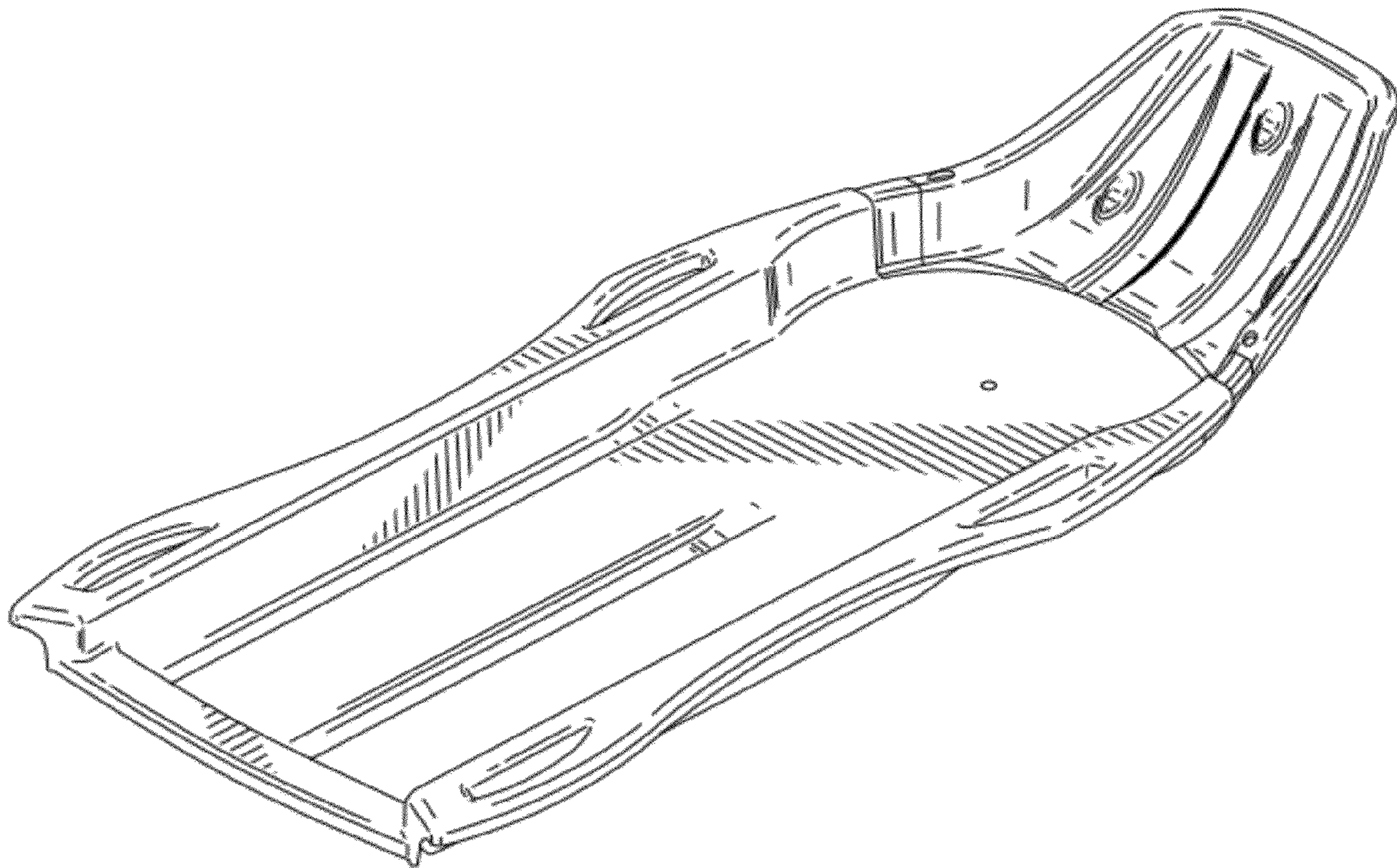
FIG. 7 is a rear view thereof.

(56) **References Cited**

U.S. PATENT DOCUMENTS

D201,815 S	*	8/1965	Greenberg	D12/11
D236,963 S	*	9/1975	Sovia et al.	D12/11
D316,234 S	*	4/1991	Mirisch, Sr.	D12/11
D639,370 S	*	6/2011	Saari	D21/769

1 Claim, 7 Drawing Sheets



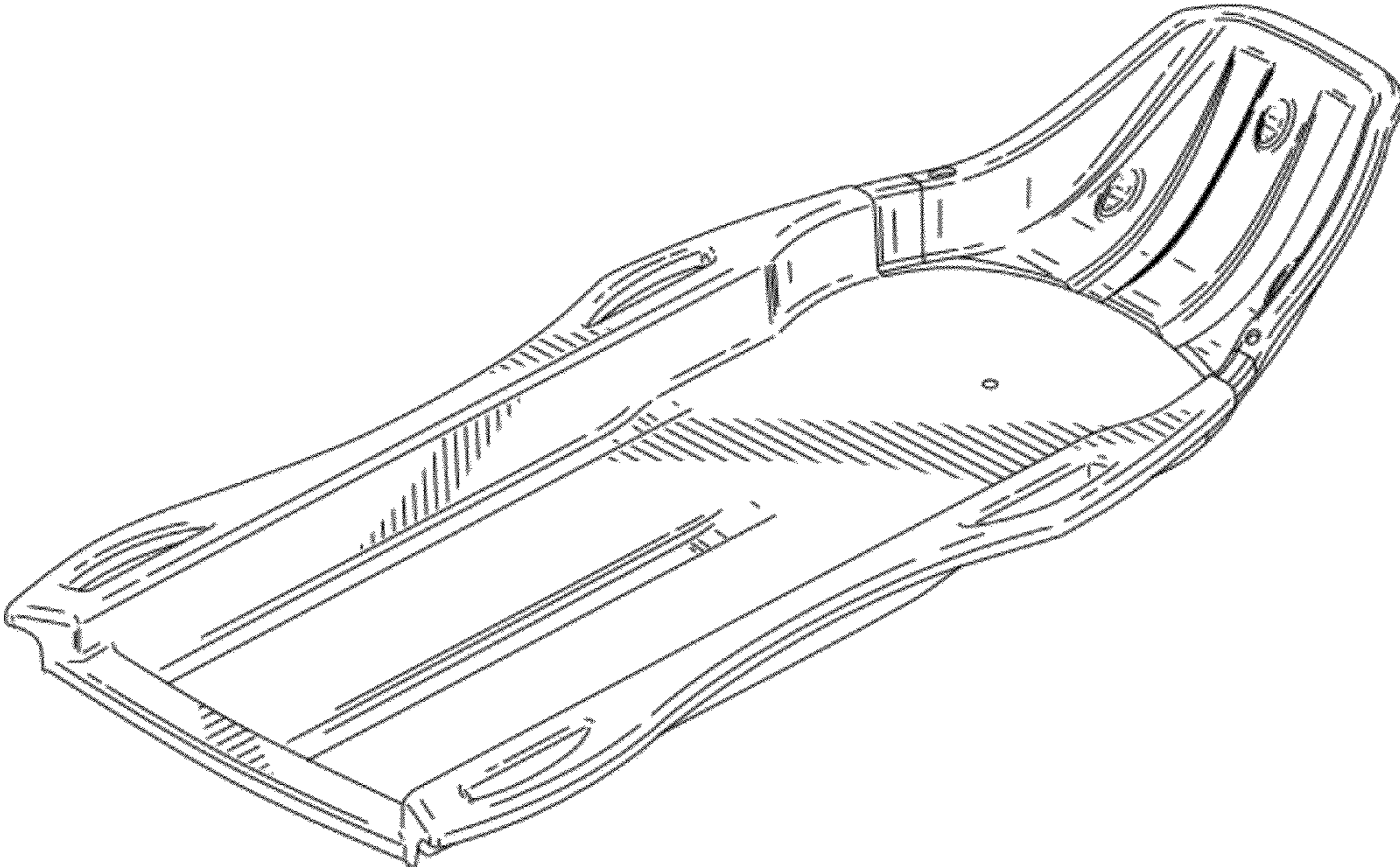


FIG. 1

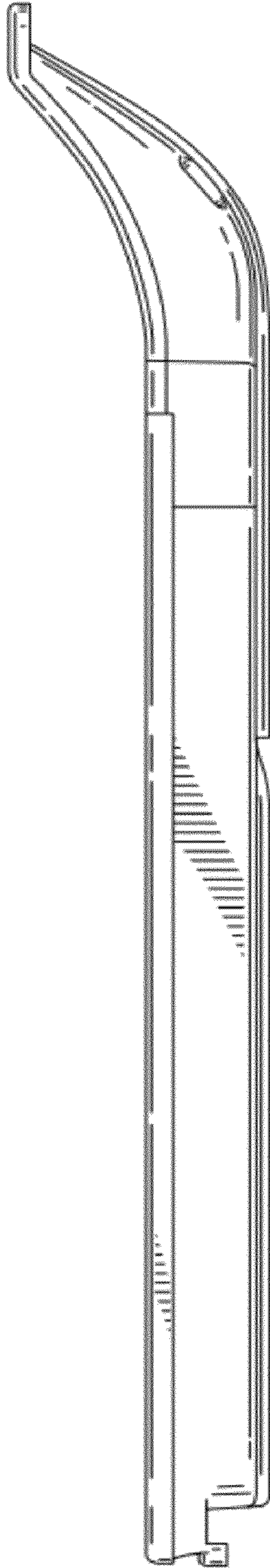


FIG. 2

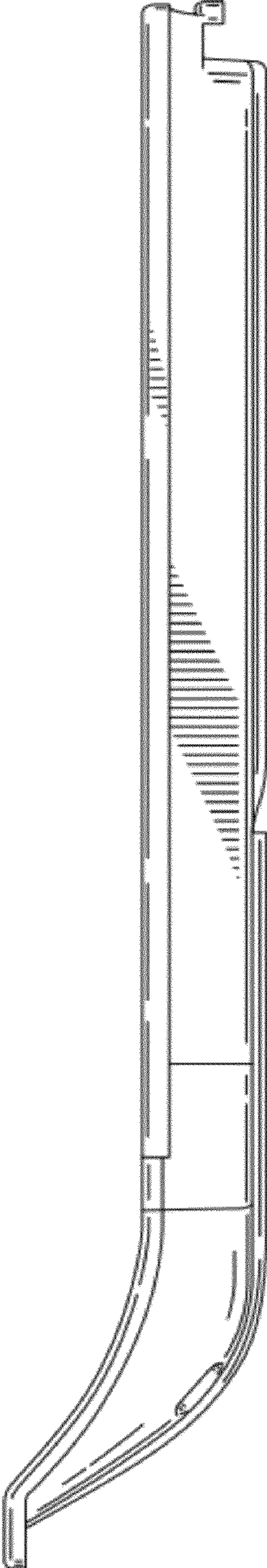


FIG. 3

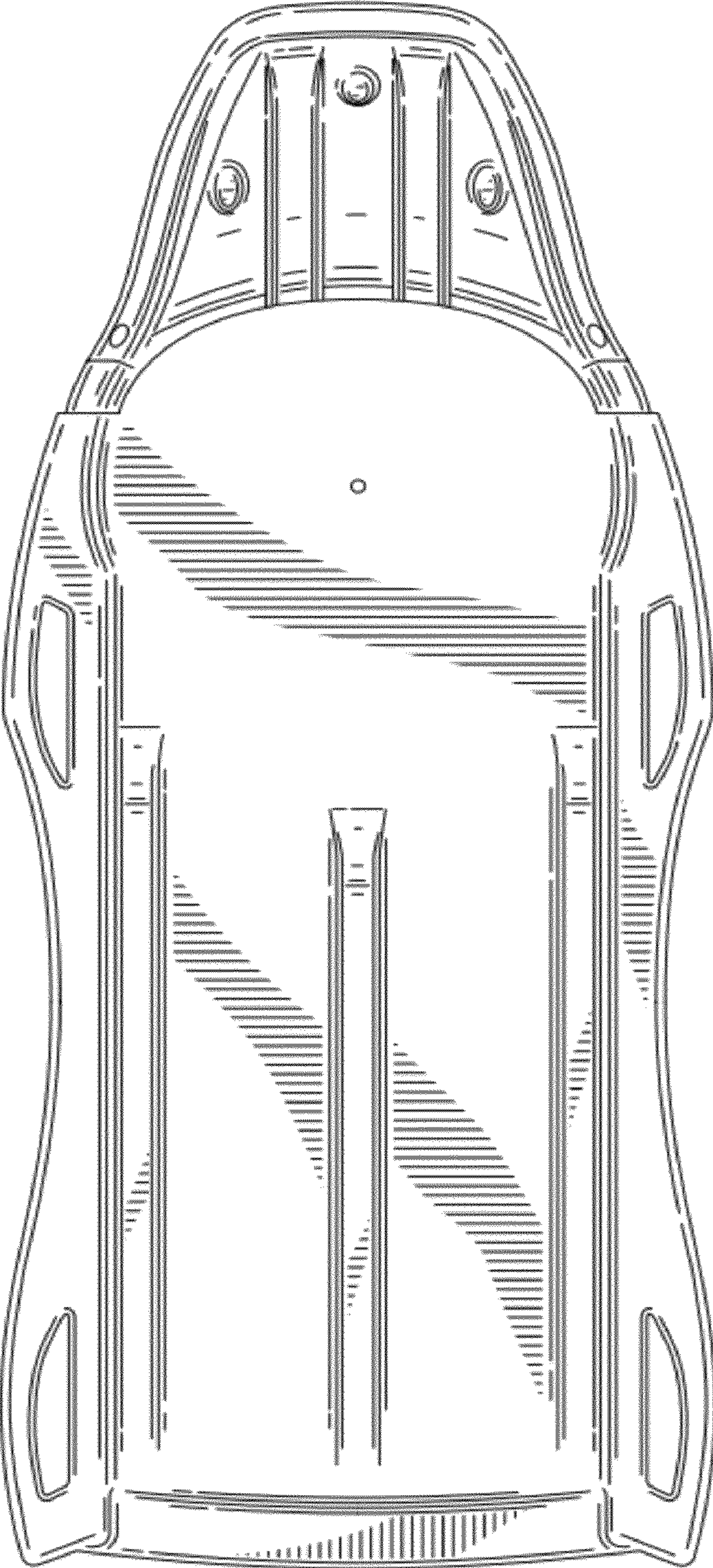


FIG. 4

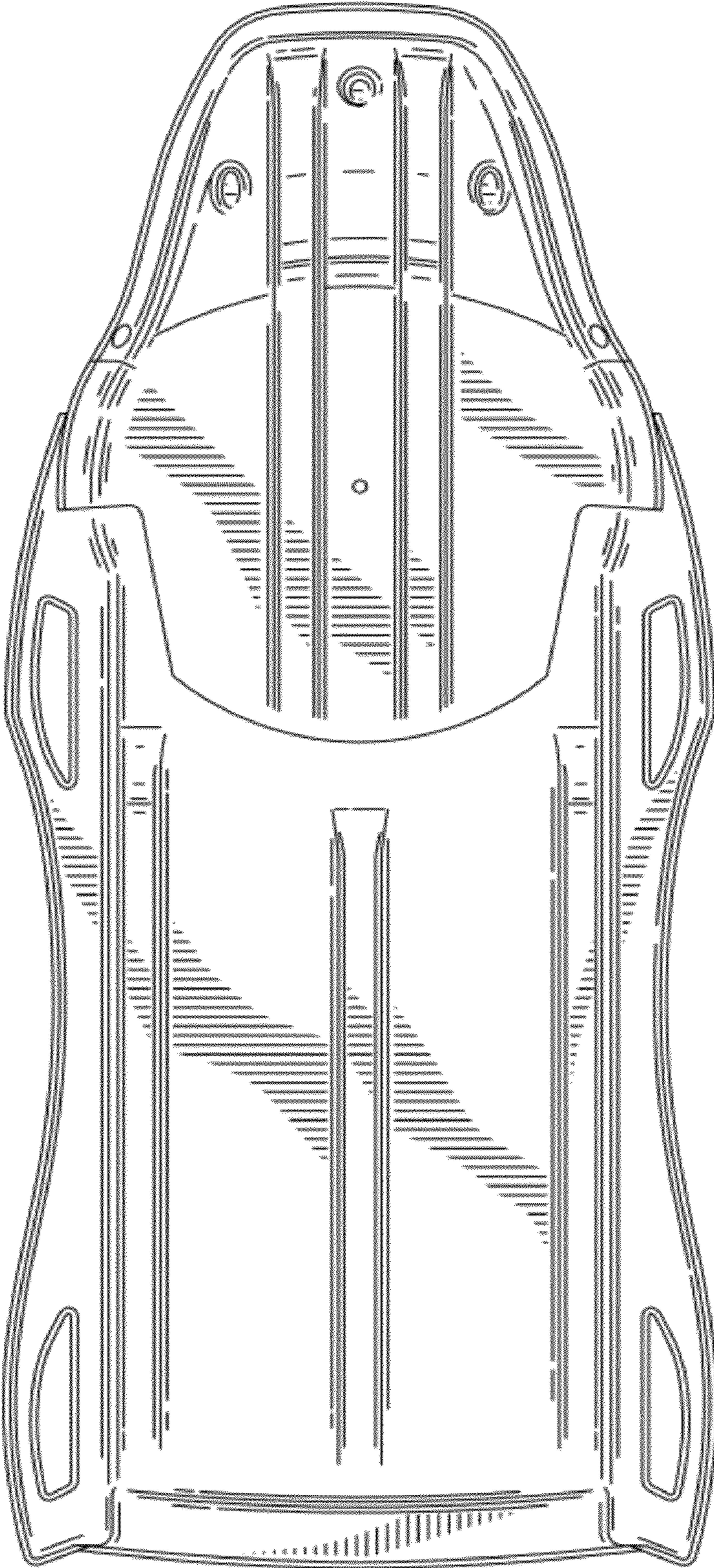


FIG. 5

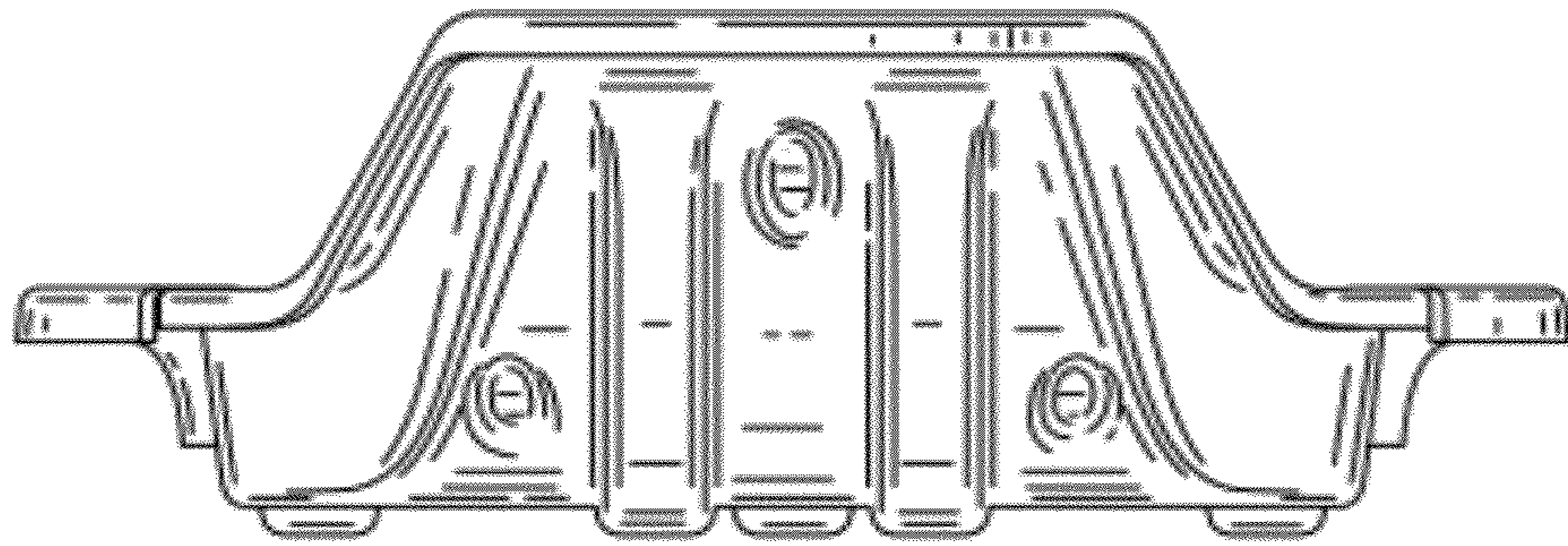


FIG. 6

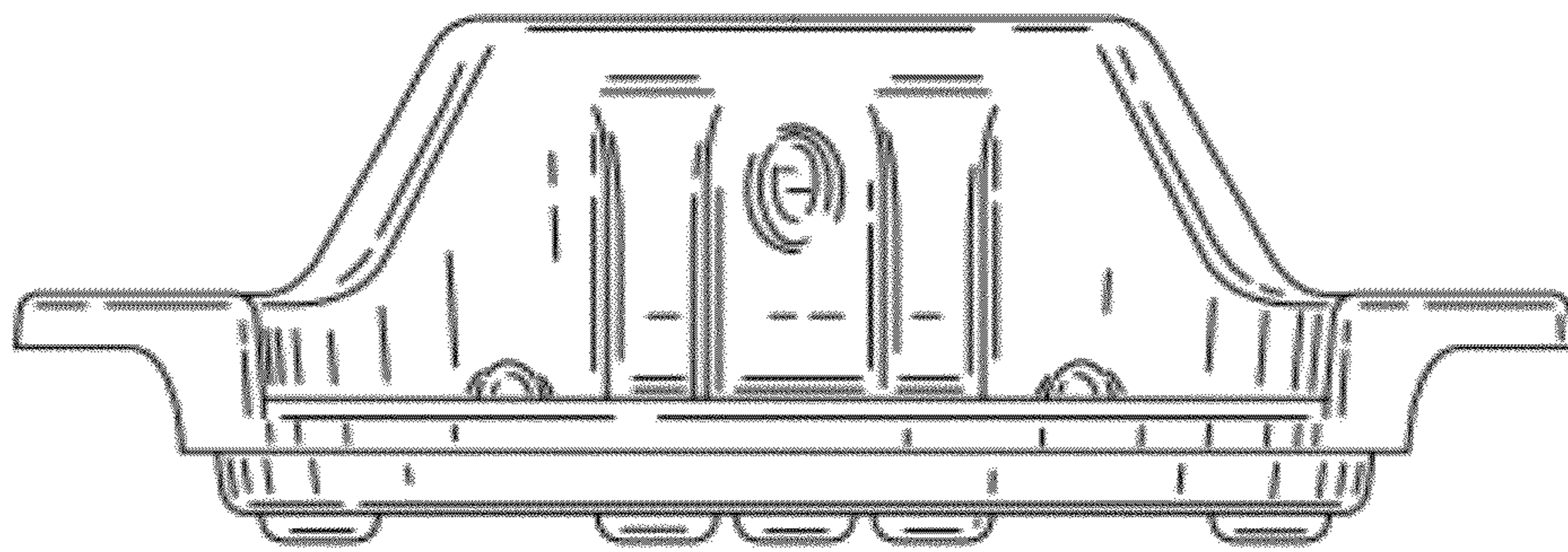


FIG. 7