



US00D657713S

(12) **United States Design Patent**
Campbell

(10) **Patent No.:** **US D657,713 S**

(45) **Date of Patent:** **** Apr. 17, 2012**

- (54) **RING PORTION FOR A SCARF**
- (75) Inventor: **Heather Kathryn Campbell**, Toronto (CA)
- (73) Assignee: **Heather Campbell Design**, Toronto, Ontario (CA)
- (**) Term: **14 Years**
- (21) Appl. No.: **29/388,544**
- (22) Filed: **Mar. 30, 2011**
- (51) **LOC (9) Cl.** **02-07**
- (52) **U.S. Cl.** **D11/202**
- (58) **Field of Classification Search** D11/1-2, D11/200-201, 206-210, 214-218, 86-87; 24/163 R, 169-171, 173, 177-179, 191, 194-195, 24/197, 200, 614-616, 625, 662; D3/140
See application file for complete search history.

- D390,496 S * 2/1998 Olsen et al. D11/87
- D403,618 S * 1/1999 Fildan D11/210
- D562,719 S * 2/2008 Giannini D11/86
- D580,819 S * 11/2008 Samuels et al. D11/212

* cited by examiner

Primary Examiner — Ralf Seifert

(74) *Attorney, Agent, or Firm* — Perry+Currier Inc.

(57) **CLAIM**

The ornamental design for a ring portion for a scarf, as shown.

DESCRIPTION

FIG. 1 is a perspective view of a scarf with ringed portion showing my new design;
 FIG. 2 is a detailed perspective view of the ringed portion thereof;
 FIG. 3 is a plan view of the ringed portion thereof;
 FIG. 4 is a front elevation view of the ringed portion thereof;
 FIG. 5 is a bottom view of the ringed portion thereof;
 FIG. 6 is a rear elevation view of the ringed portion thereof.
 FIG. 7 is a left side elevation view of the ringed portion thereof; and,
 FIG. 8 is a right side elevation view of the ringed portion thereof.

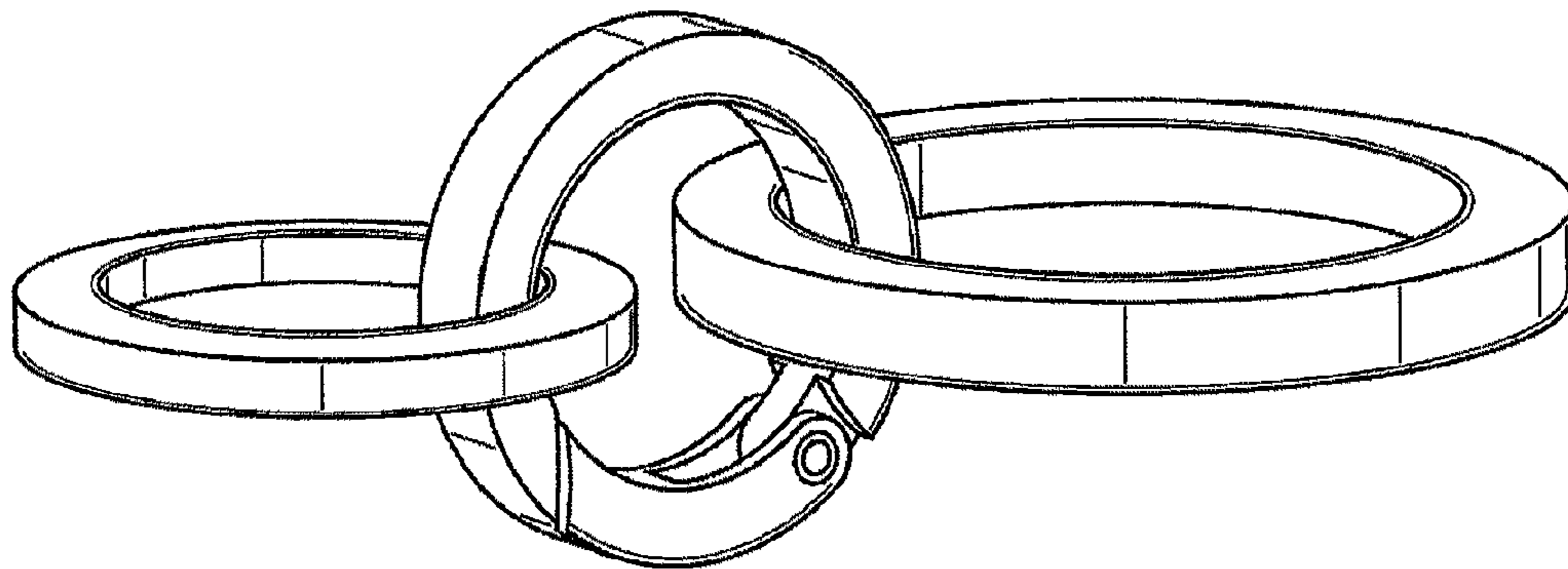
The broken line showing of a scarf is included for illustrative purposes only and forms no part of the claimed design.

1 Claim, 3 Drawing Sheets

(56) **References Cited**

U.S. PATENT DOCUMENTS

- D47,943 S * 10/1915 Albright, Jr. D30/140
- D115,719 S * 7/1939 Miller et al. D11/200
- D116,276 S * 8/1939 Baer D11/218
- 2,233,071 A * 2/1941 Bangs 24/662
- D327,862 S * 7/1992 McConnell D11/87



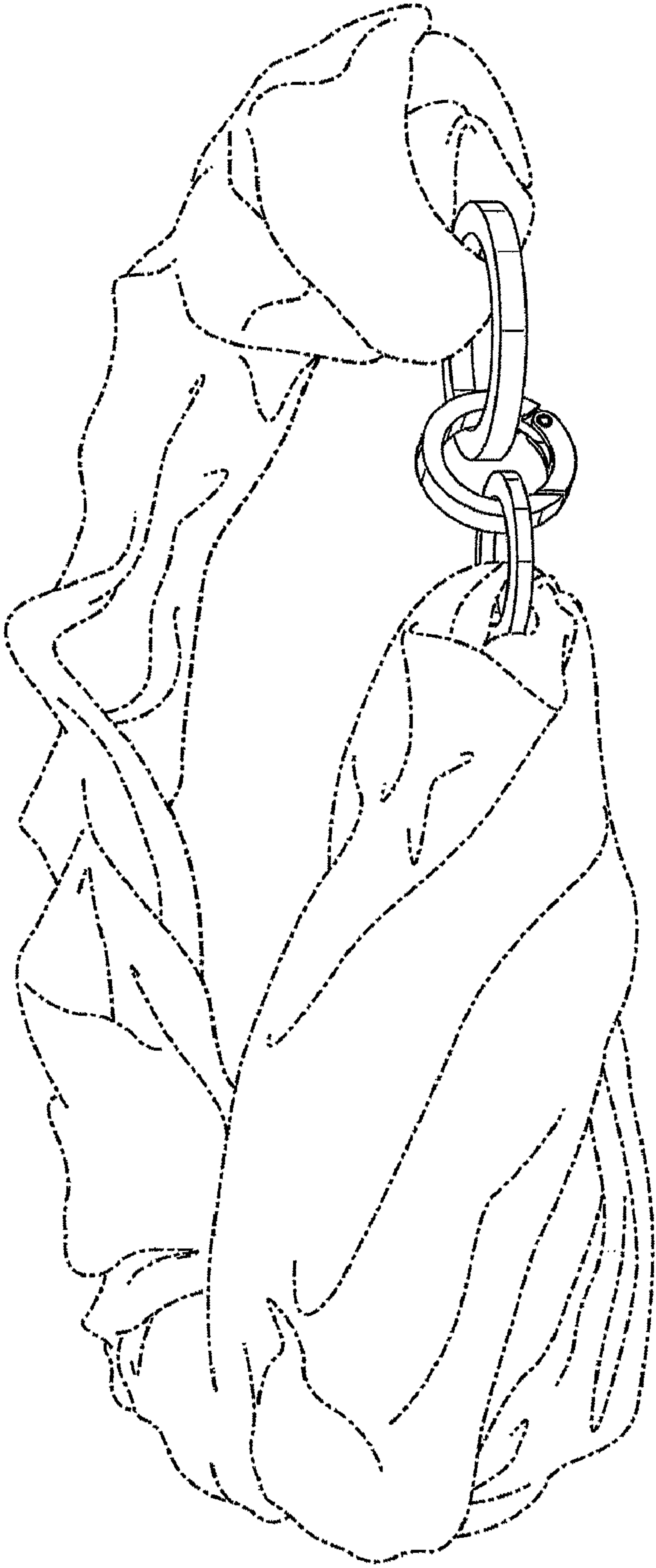


Fig. 1

Fig. 2

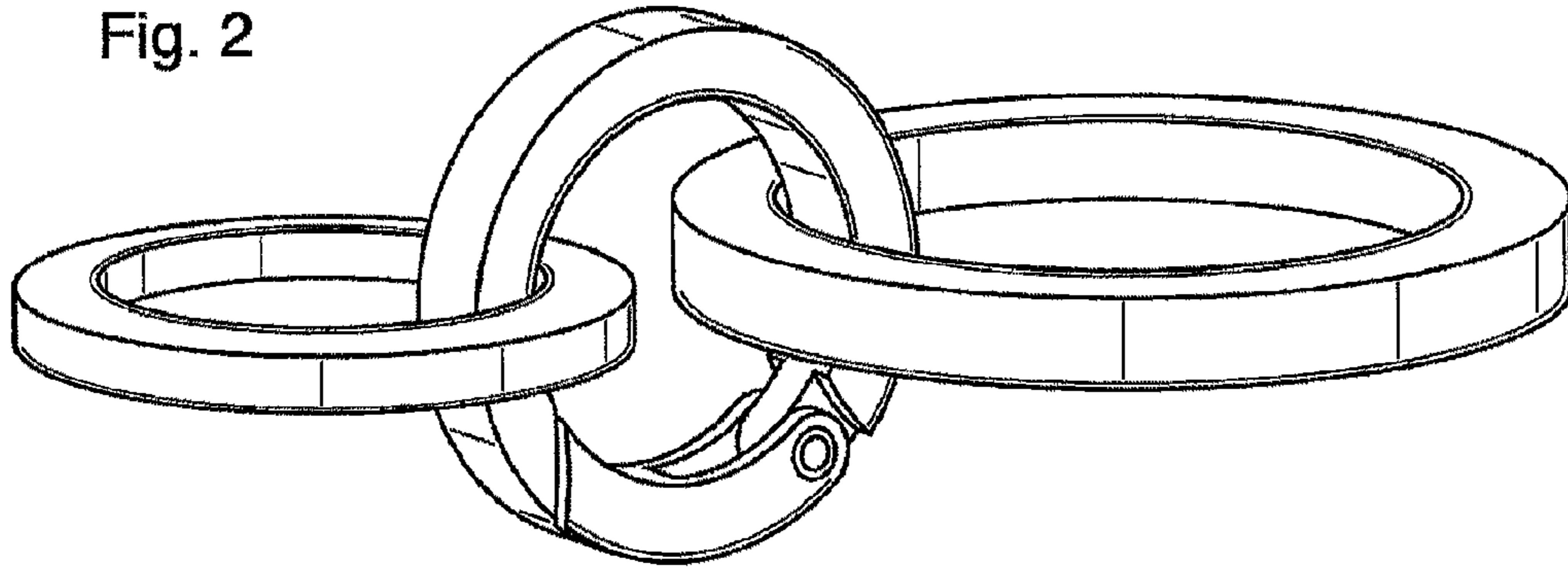


Fig. 3

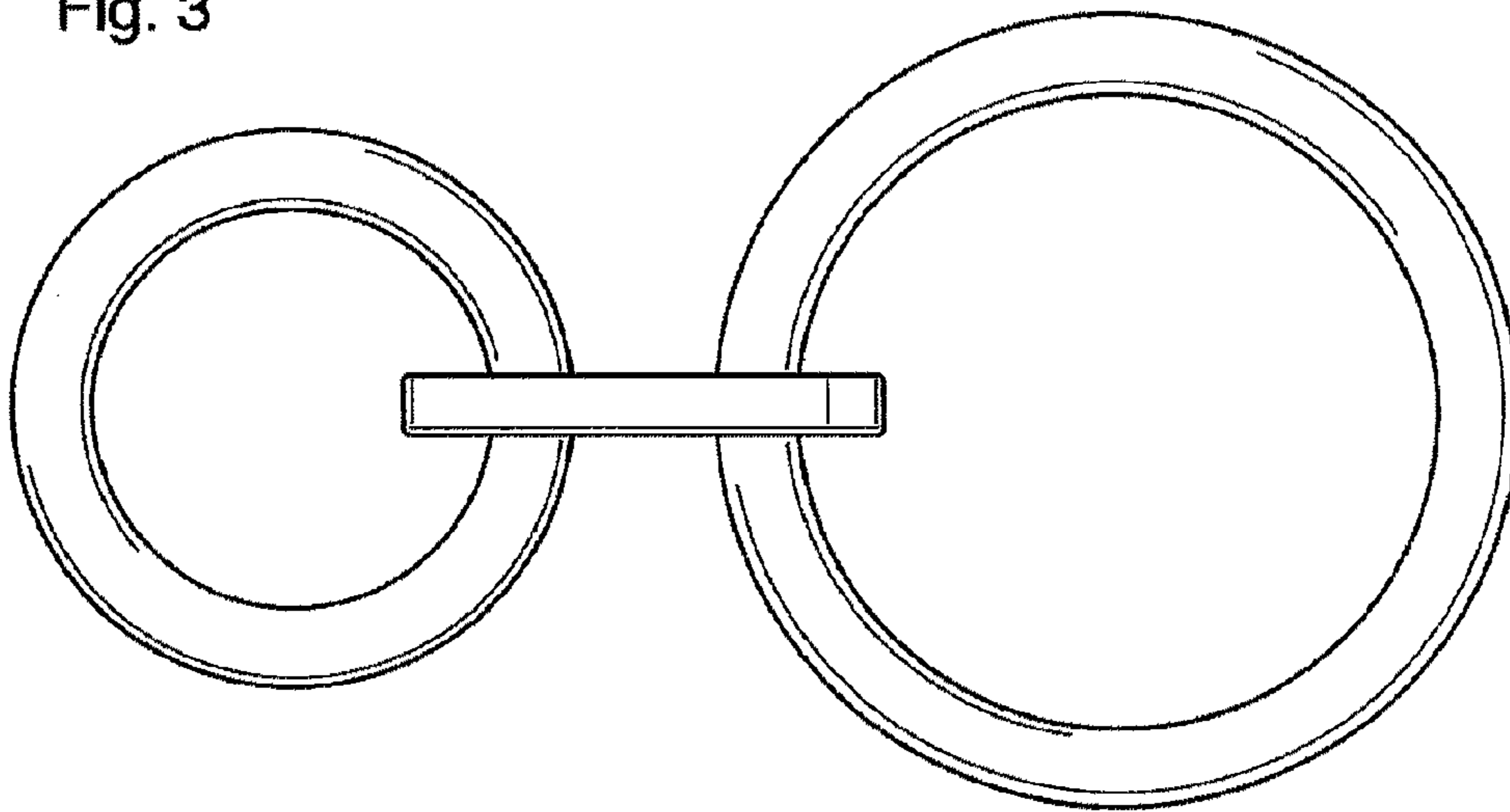


Fig. 4

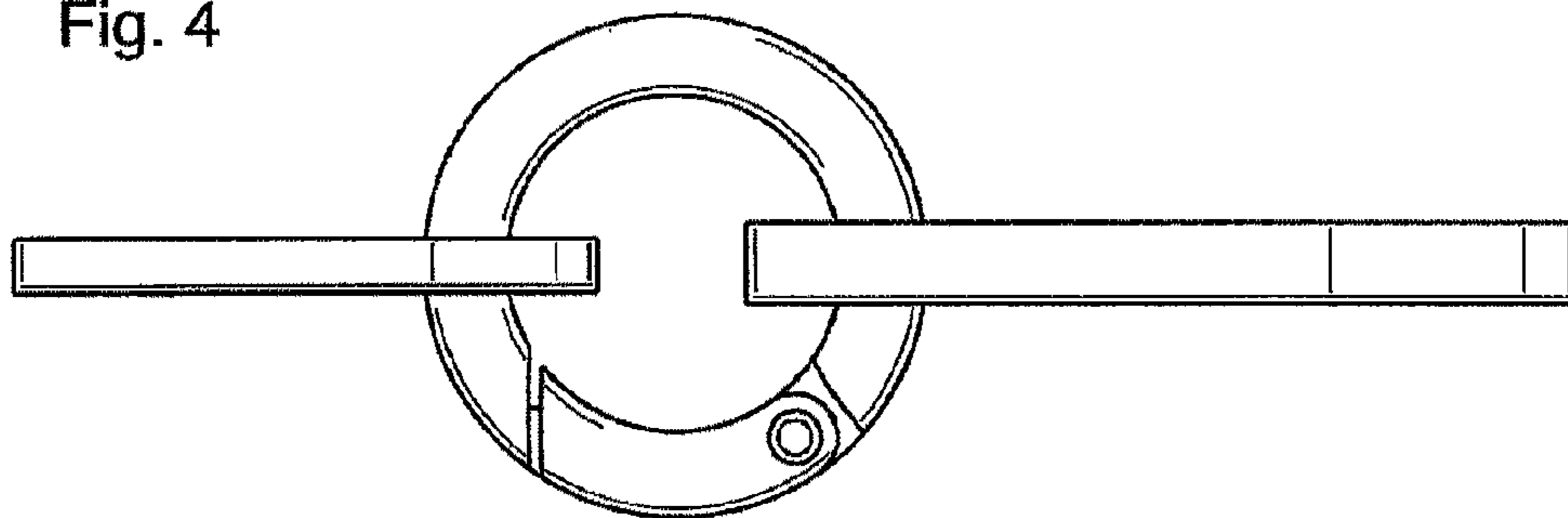


Fig. 5

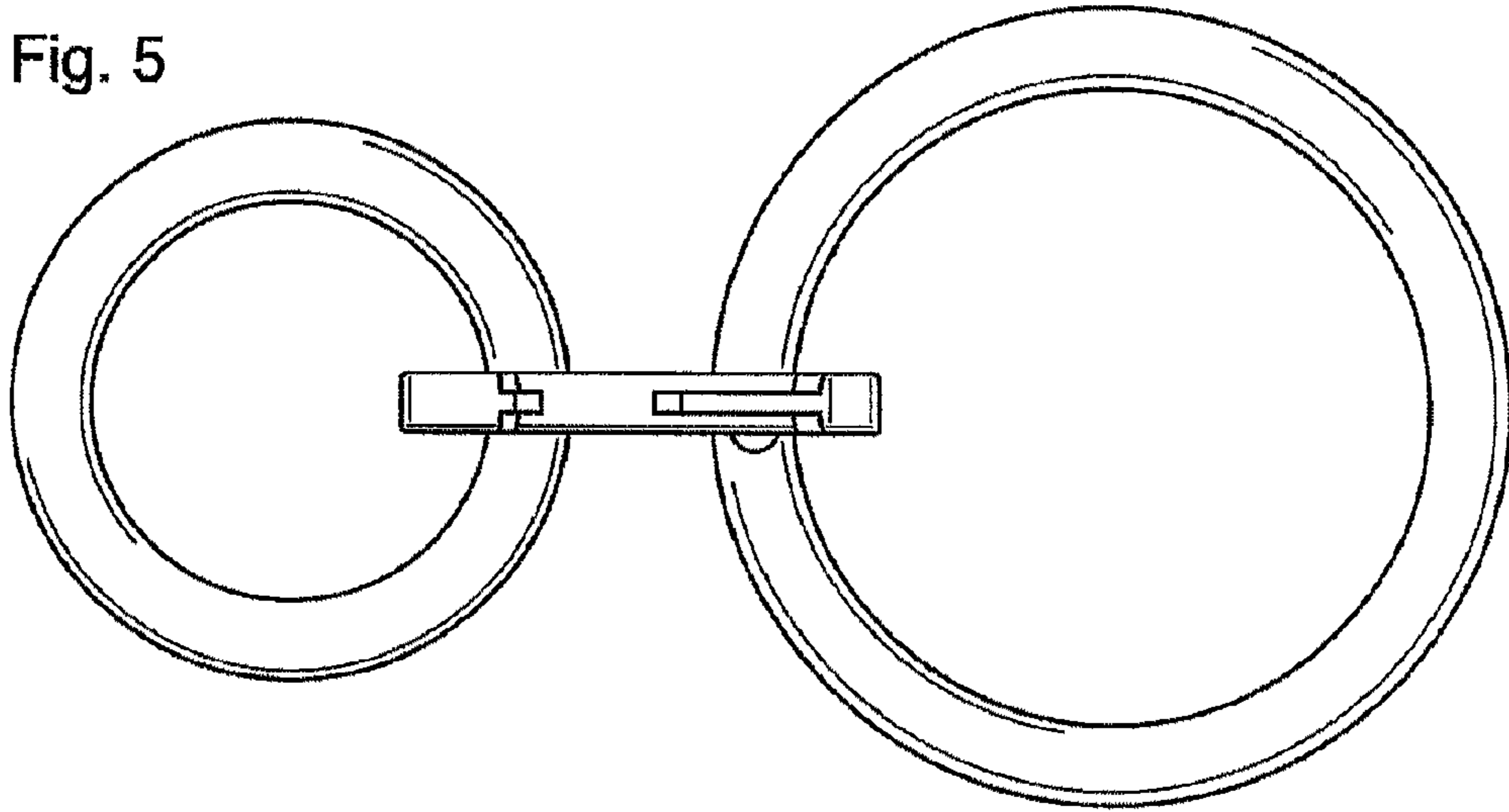


Fig. 6

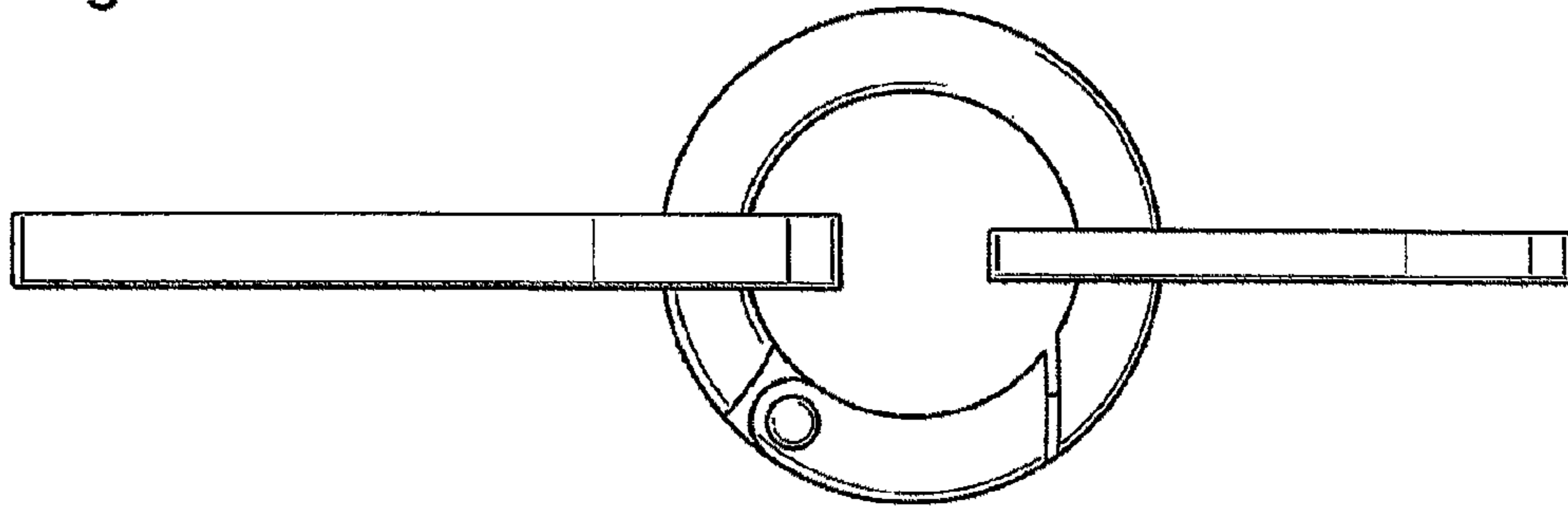


Fig. 7

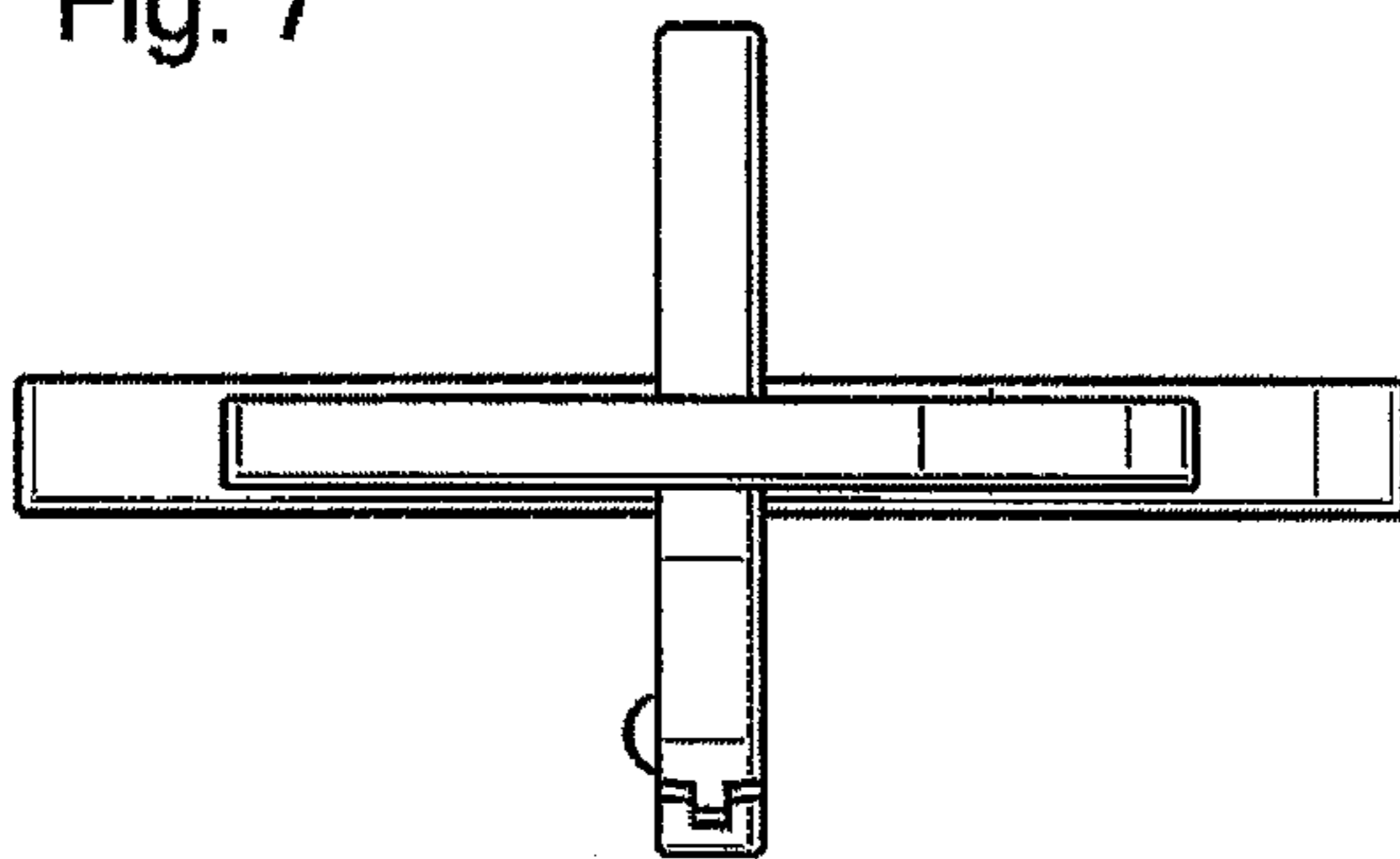


Fig. 8

