



US00D657710S

(12) **United States Design Patent**
Shah

(10) **Patent No.:** **US D657,710 S**

(45) **Date of Patent:** **** Apr. 17, 2012**

(54) **GEMSTONE CLUSTER**

(76) Inventor: **Ankur Shah**, New York, NY (US)

(**) Term: **14 Years**

(21) Appl. No.: **29/368,687**

(22) Filed: **Aug. 27, 2010**

(51) **LOC (9) Cl.** **11-01**

(52) **U.S. Cl.** **D11/91**

(58) **Field of Classification Search** D11/89-93,
D11/1, 2, 6-12, 16, 24-28, 34-43, 79, 70,
D11/47, 75; 63/1.11, 13, 12, 14.1, 15, 20,
63/22, 26-28

See application file for complete search history.

(56) **References Cited**

U.S. PATENT DOCUMENTS

D383,085 S *	9/1997	Nyqvist	D11/86
D409,518 S *	5/1999	Ho	D11/40
D485,509 S *	1/2004	Shagalov	D11/91
D498,699 S *	11/2004	Shagalov	D11/91
D508,867 S *	8/2005	Shum	D11/91
D569,758 S *	5/2008	Dholakiya	D11/91
D574,290 S *	8/2008	Shah	D11/91
D577,307 S *	9/2008	Gurfinkel	D11/91
D587,159 S *	2/2009	Dholakiya	D11/91
D618,132 S *	6/2010	Wong et al.	D11/91
D622,173 S *	8/2010	Blad et al.	D11/76

D624,845 S *	10/2010	Shah	D11/91
D632,207 S *	2/2011	Gurfinkel	D11/91
D643,767 S *	8/2011	Kothari	D11/34

* cited by examiner

Primary Examiner — Cathron Brooks

Assistant Examiner — Melanie Pellegrini

(74) *Attorney, Agent, or Firm* — Clifford Kraft

(57) **CLAIM**

The ornamental design for a gemstone cluster, as shown and described.

DESCRIPTION

FIG. 1 is a top plan view of a gemstone cluster showing my new design where the broken lines represent environmental matter and form no part of the claimed design;

FIG. 2 is a top plan view thereof;

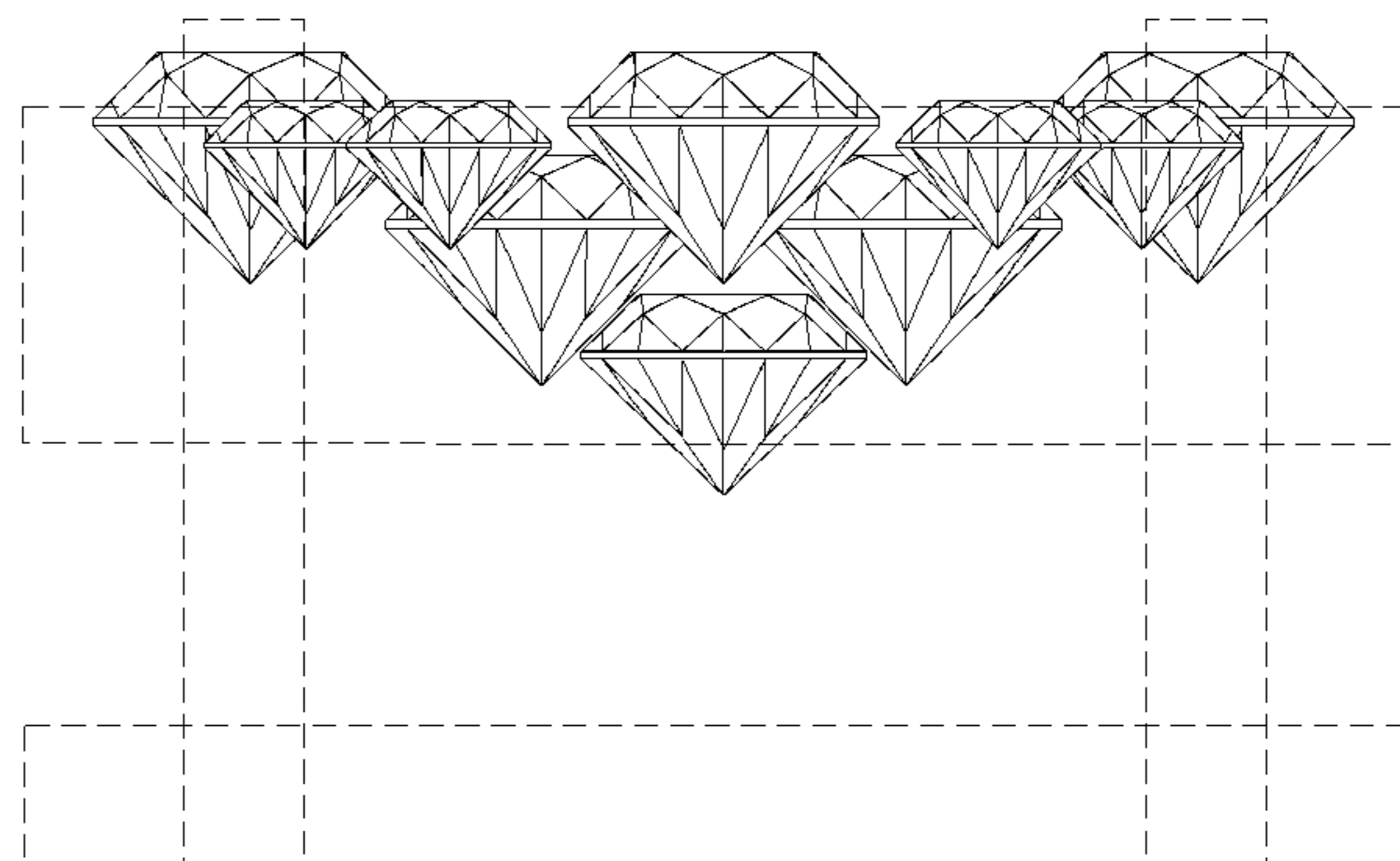
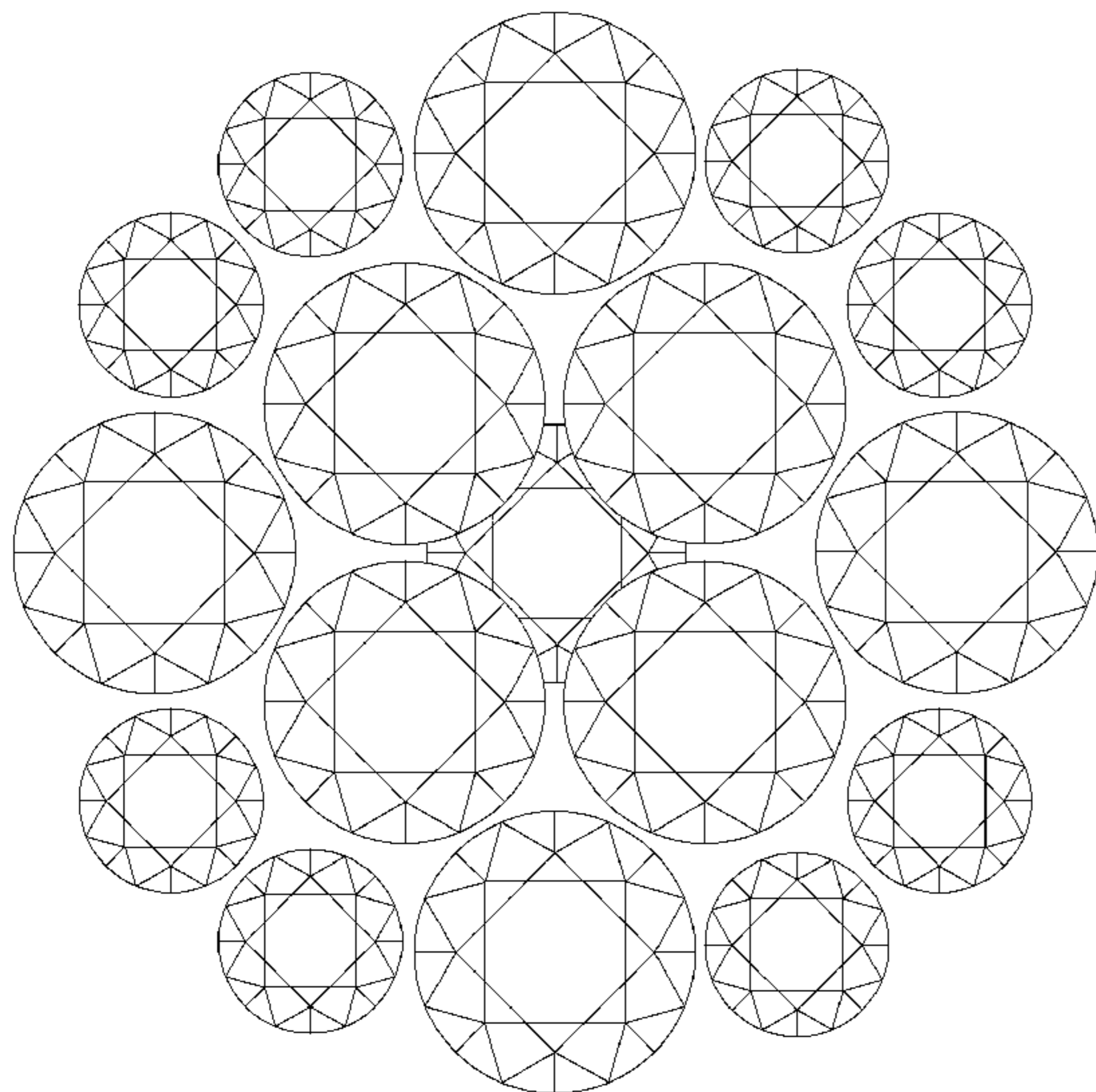
FIG. 3 is a bottom plan view thereof;

FIG. 4 is a side elevational view thereof where the opposite side view and front and rear elevational views are identical; and,

FIG. 5 is another side elevational view thereof where the broken lines represent environmental matter and form no part of the claimed design.

The broken lines shown in the drawings represent environmental structure and form no part of the claimed design.

1 Claim, 5 Drawing Sheets



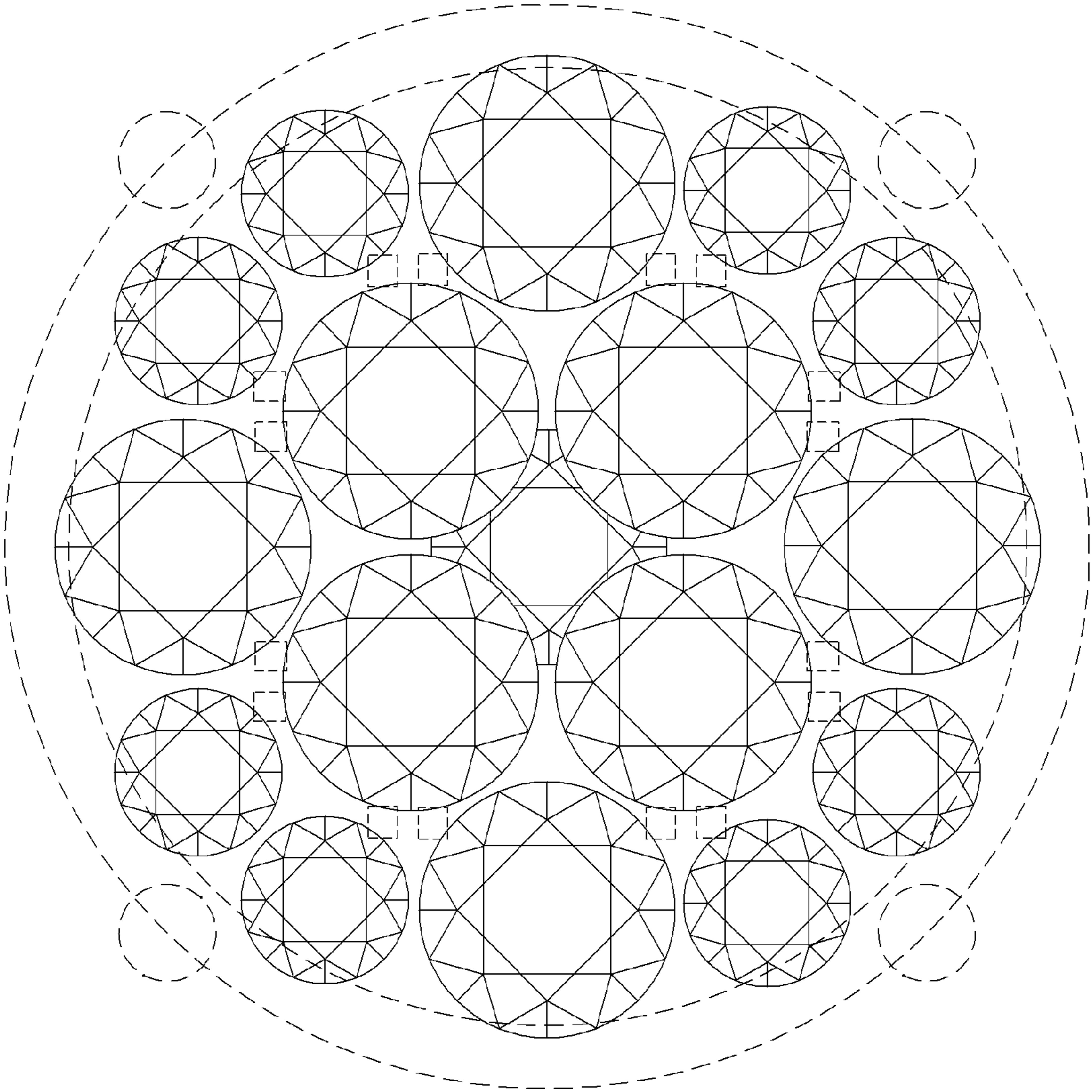


FIG. 1

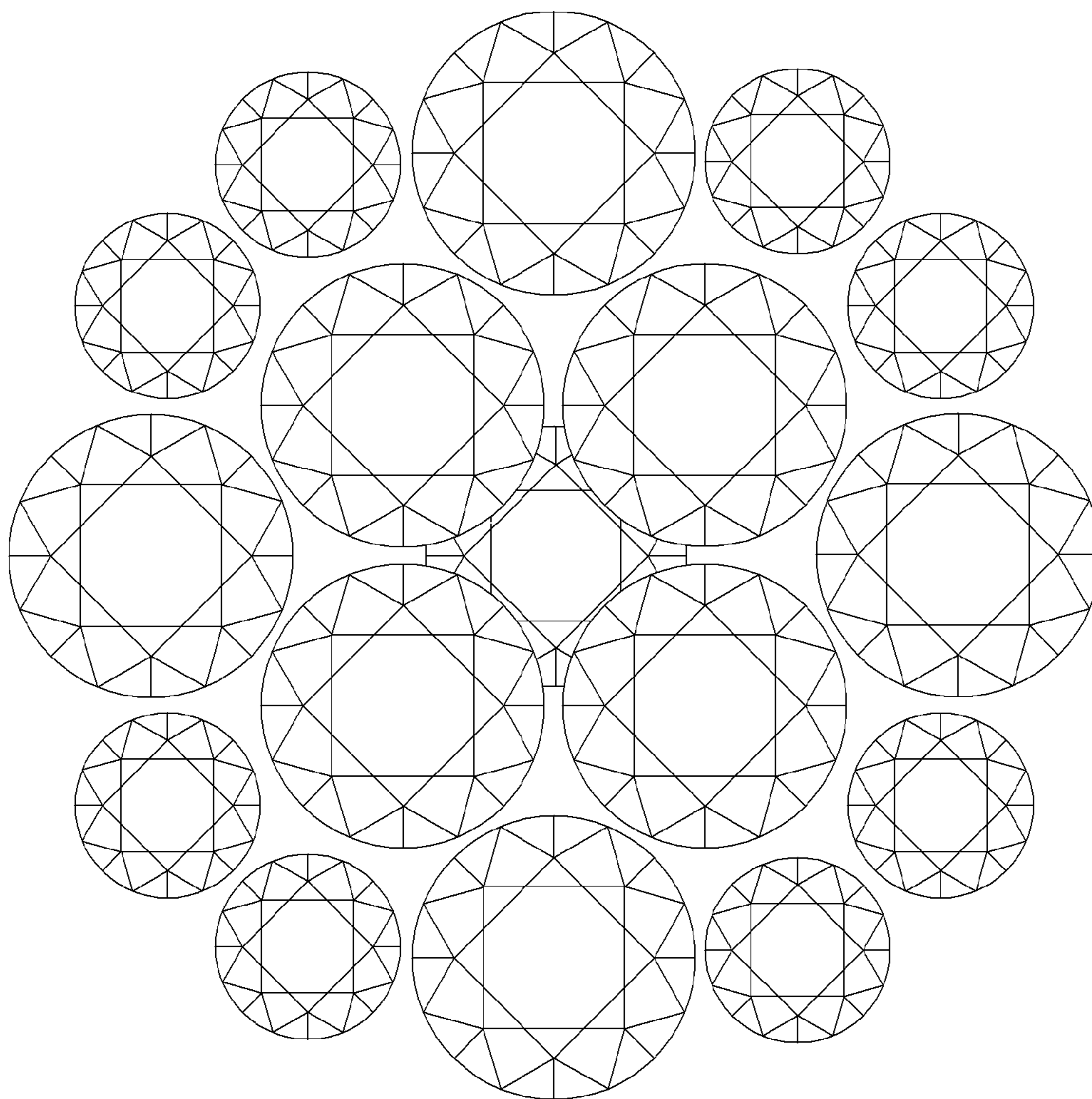


FIG. 2

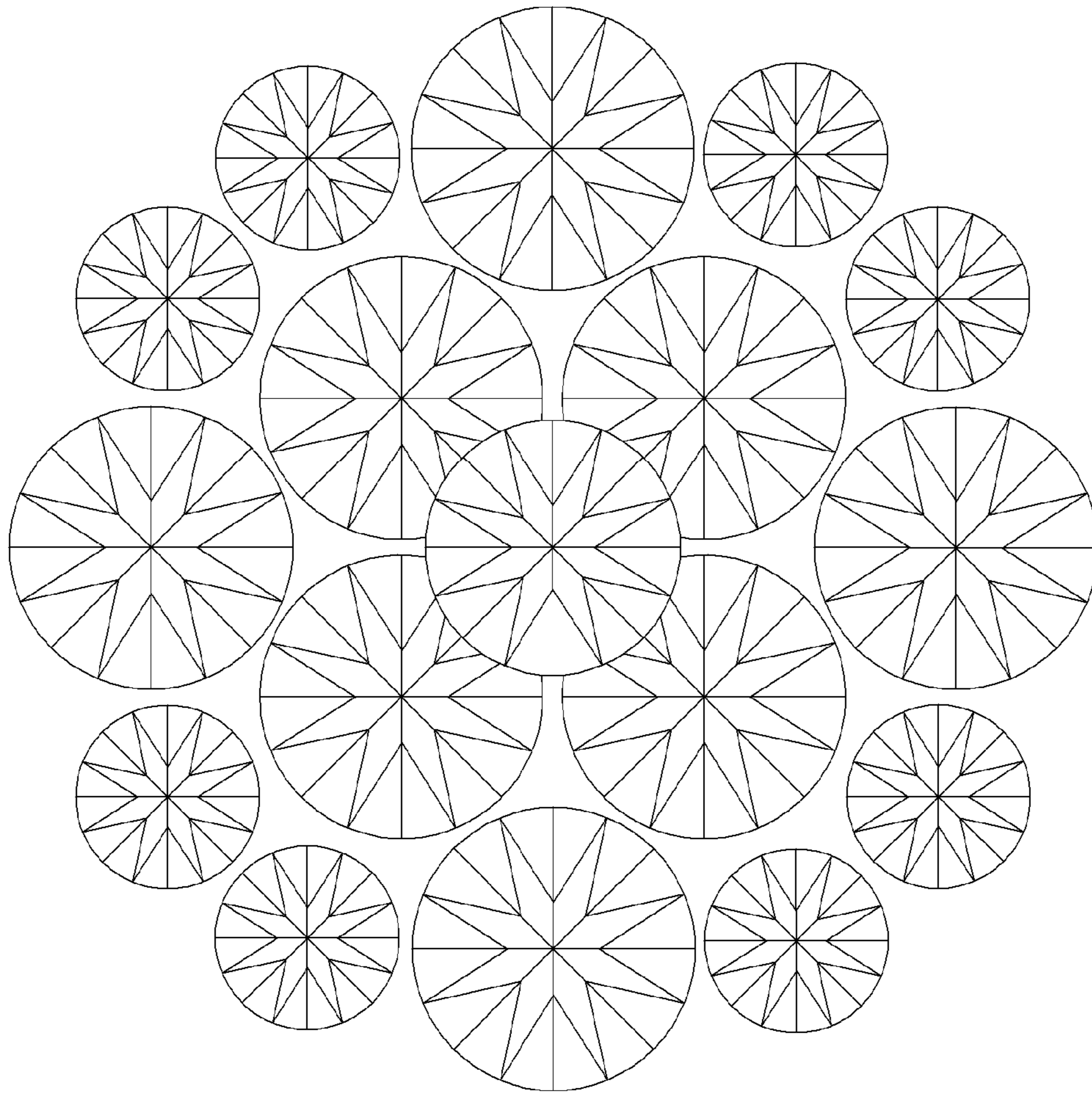


FIG. 3

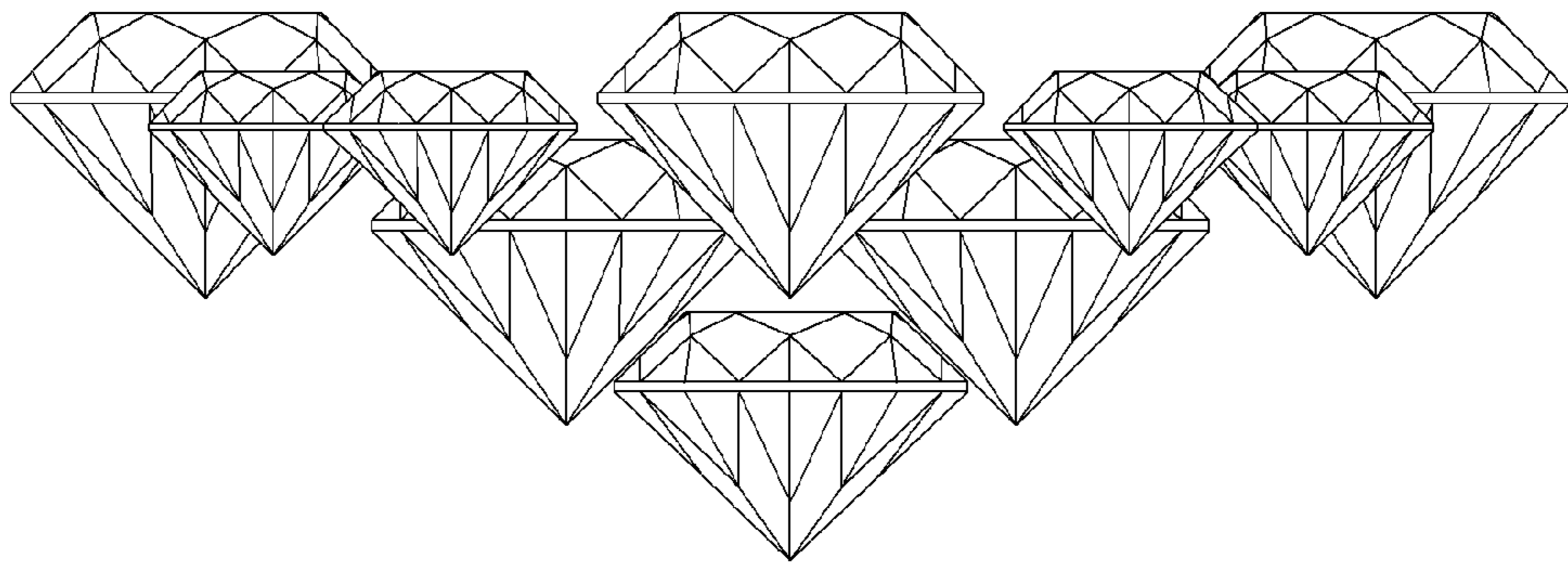


FIG. 4

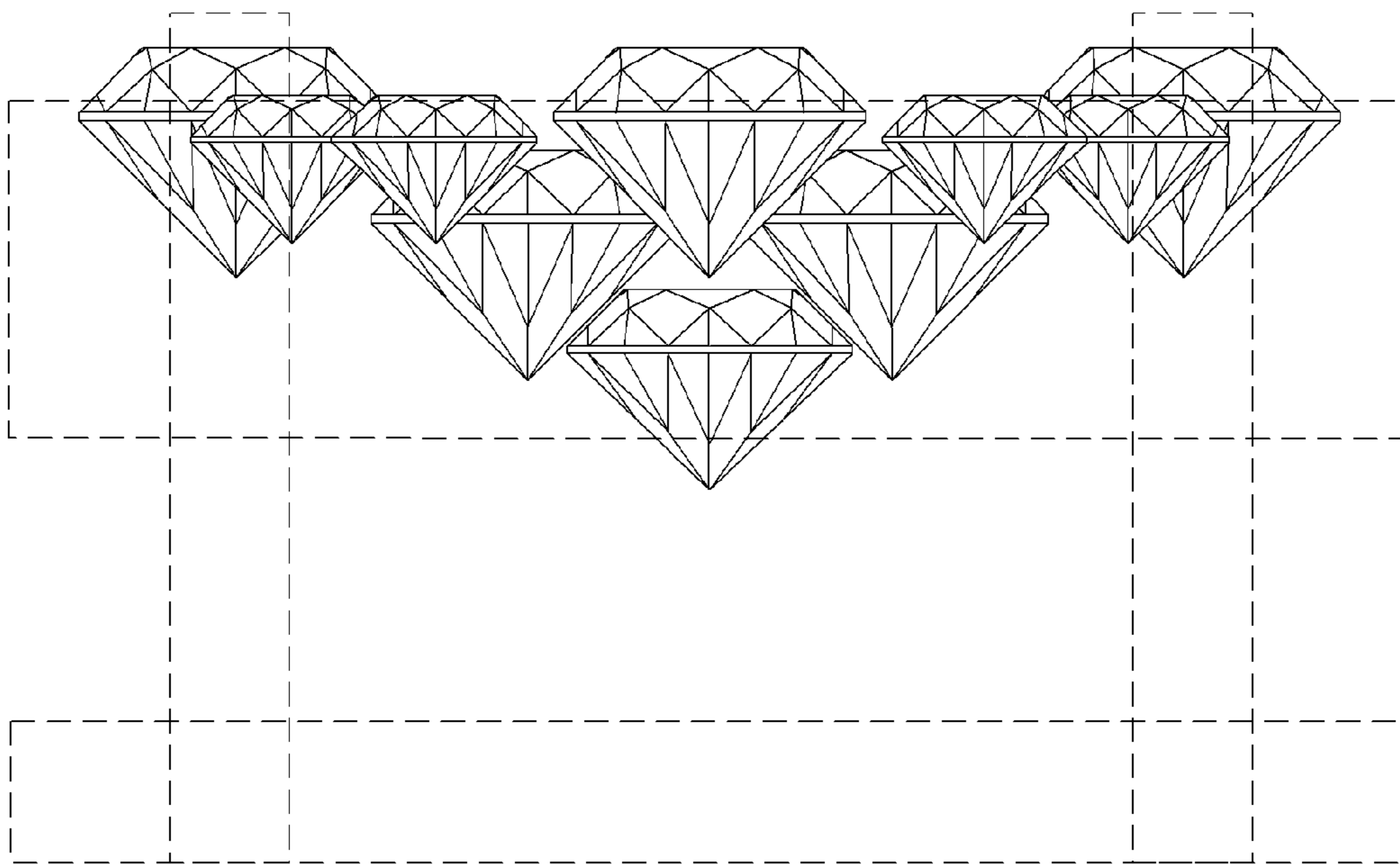


FIG. 5