



US00D657706S

(12) **United States Design Patent**
Gould

(10) **Patent No.:** **US D657,706 S**

(45) **Date of Patent:** **** Apr. 17, 2012**

(54) **FLEXIBLE BRACELET**

(76) Inventor: **Lane Gould**, Lexington, KY (US)

(**) Term: **14 Years**

(21) Appl. No.: **29/402,634**

(22) Filed: **Sep. 26, 2011**

(51) **LOC (9) Cl.** **11-01**

(52) **U.S. Cl.** **D11/6**

(58) **Field of Classification Search** D11/1-39;
63/3, 3.1, 3.2, 5, 15.1-15.4, 15.45, 15.5,
63/15.6, 15.65, 15.7, 26-28

See application file for complete search history.

(56) **References Cited**

U.S. PATENT DOCUMENTS

469,449	A *	2/1892	Kelley	63/3
D118,403	S *	1/1940	Cusumano	D11/4
2,453,955	A *	11/1948	Younghusband	63/15
D165,622	S *	1/1952	Witmer	D11/4
D165,624	S *	1/1952	Witmer	D11/3
D309,276	S *	7/1990	Mejias	D11/26
D329,400	S *	9/1992	Bulgari	D11/6
D453,486	S *	2/2002	Zillig	D11/38
D470,429	S *	2/2003	Bonnet	D11/3
D503,647	S *	4/2005	Fishman et al.	D11/4
D630,121	S *	1/2011	Roysky	D11/3
D651,934	S *	1/2012	d'Origny et al.	D11/38

* cited by examiner

Primary Examiner — Cathron Brooks

Assistant Examiner — Melanie Pellegrini

(74) *Attorney, Agent, or Firm* — Michael Coblenz

(57) **CLAIM**

The ornamental design for a flexible bracelet, as shown and described.

DESCRIPTION

FIG. 1 is a perspective view of a flexible bracelet showing my new design;

FIG. 2 is a top plan view thereof, the bottom plan view being a mirror image thereof;

FIG. 3 is a front elevational view thereof, the rear elevational, left side elevational and right side elevational views being mirror images thereof;

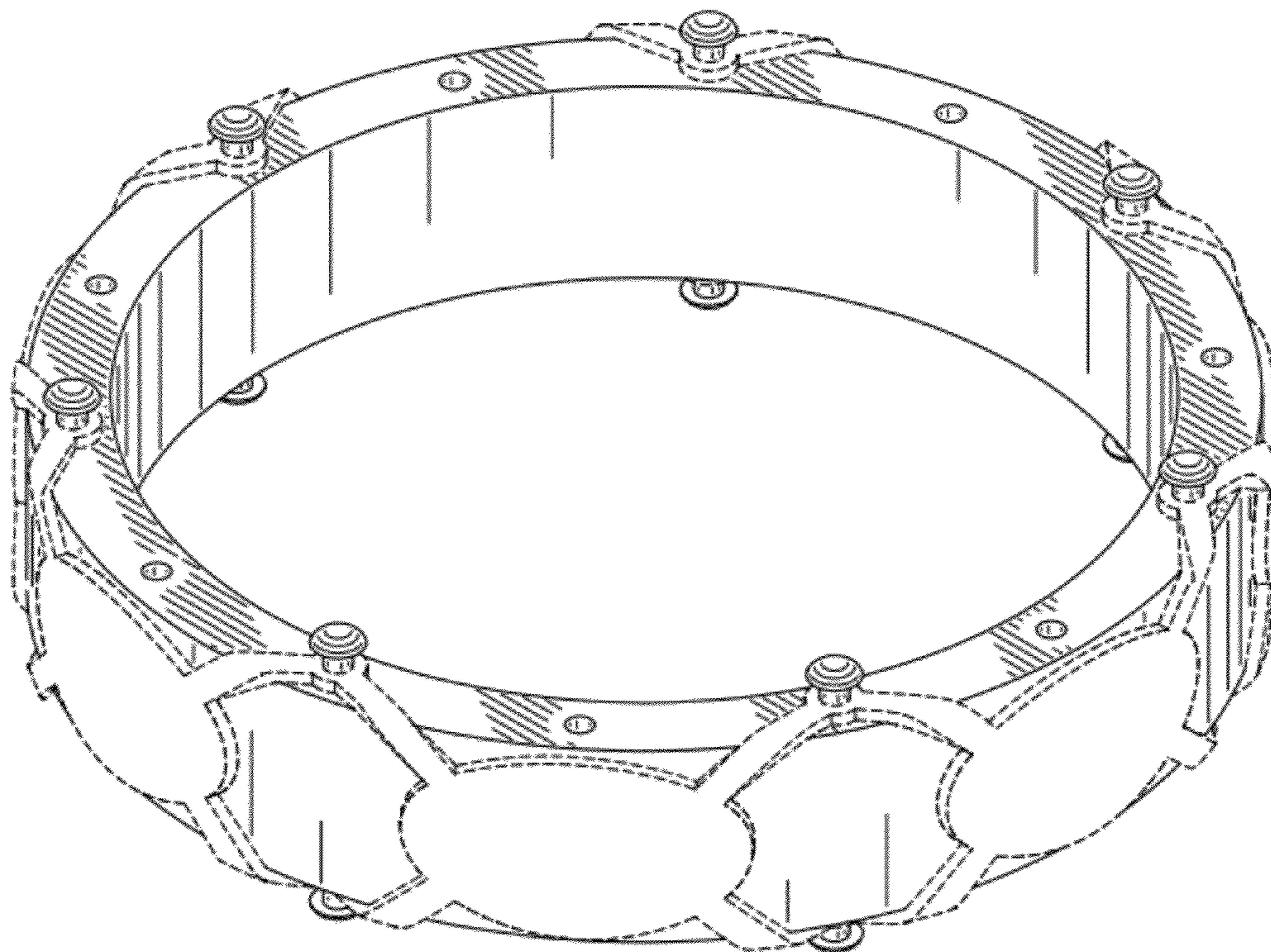
FIG. 4 is a perspective view of a second embodiment of a flexible bracelet showing my new design;

FIG. 5 is a top plan view thereof, the bottom plan view being a mirror image thereof; and,

FIG. 6 is a front elevational view thereof, the rear elevational, left side elevational and right side elevational views being mirror images thereof.

The broken lines on the drawings represent removable medallions, held in place by the shown pins and holes, and form no part of the claimed design.

1 Claim, 6 Drawing Sheets



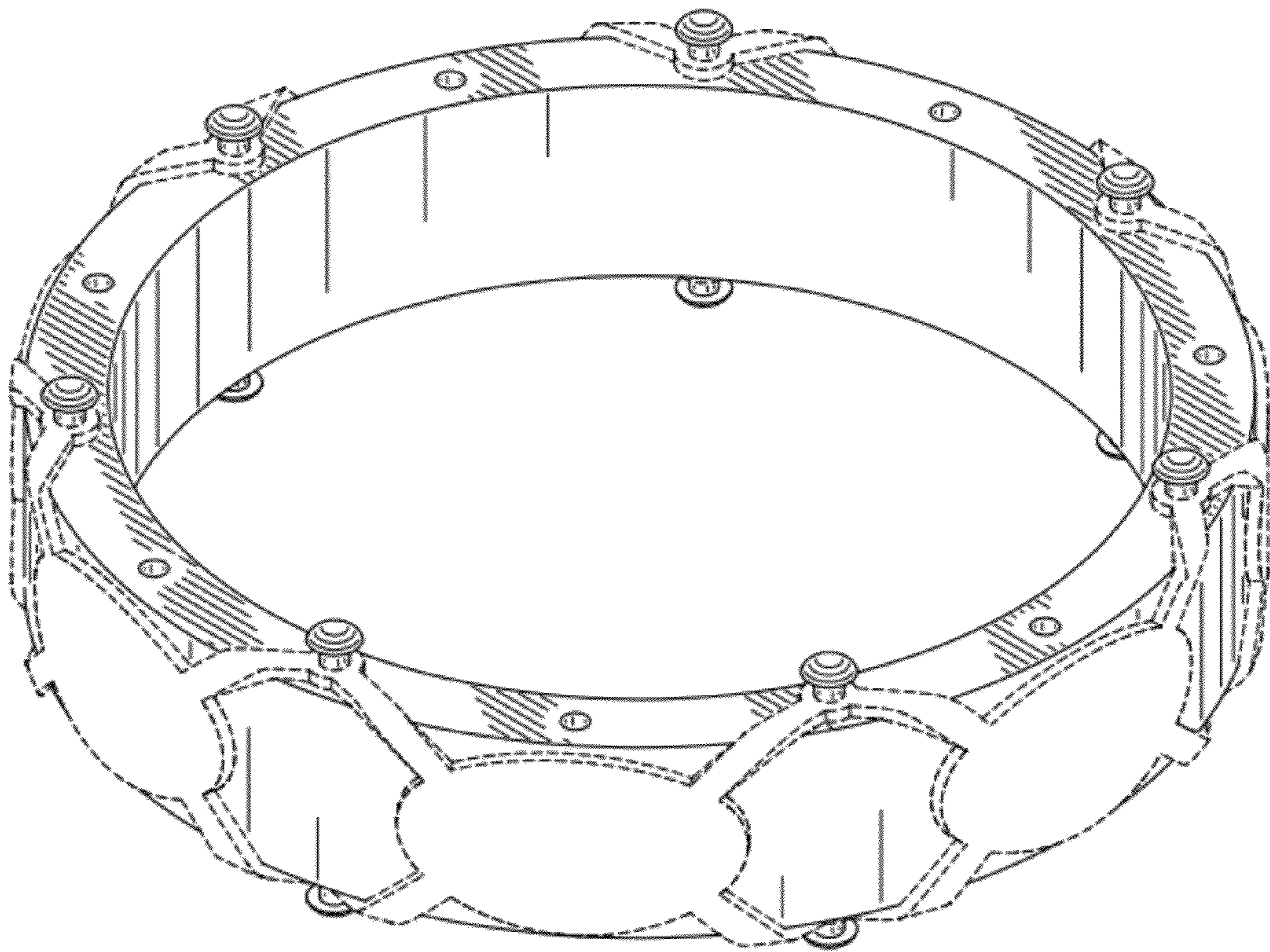


FIG. 1

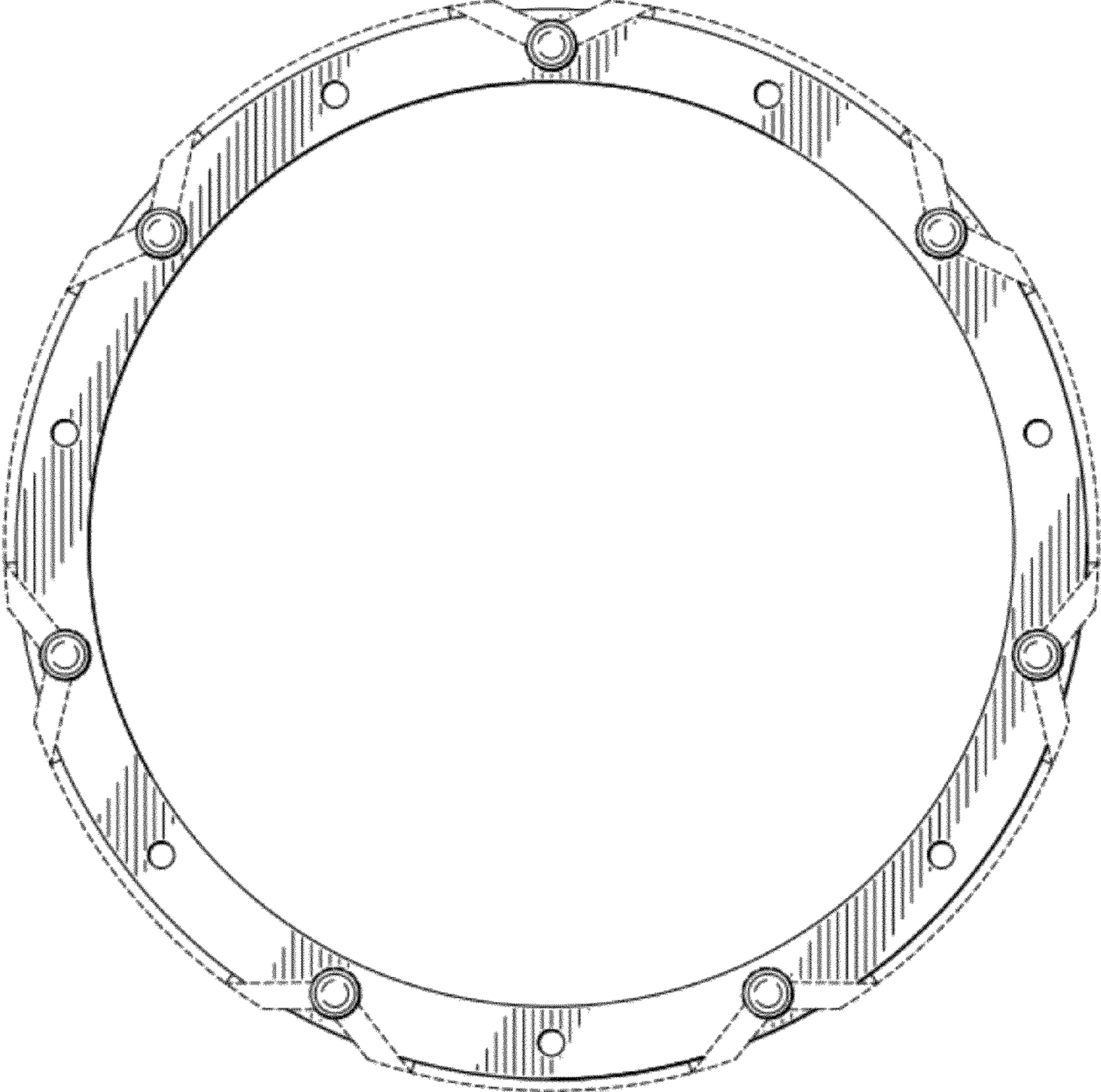


FIG. 2

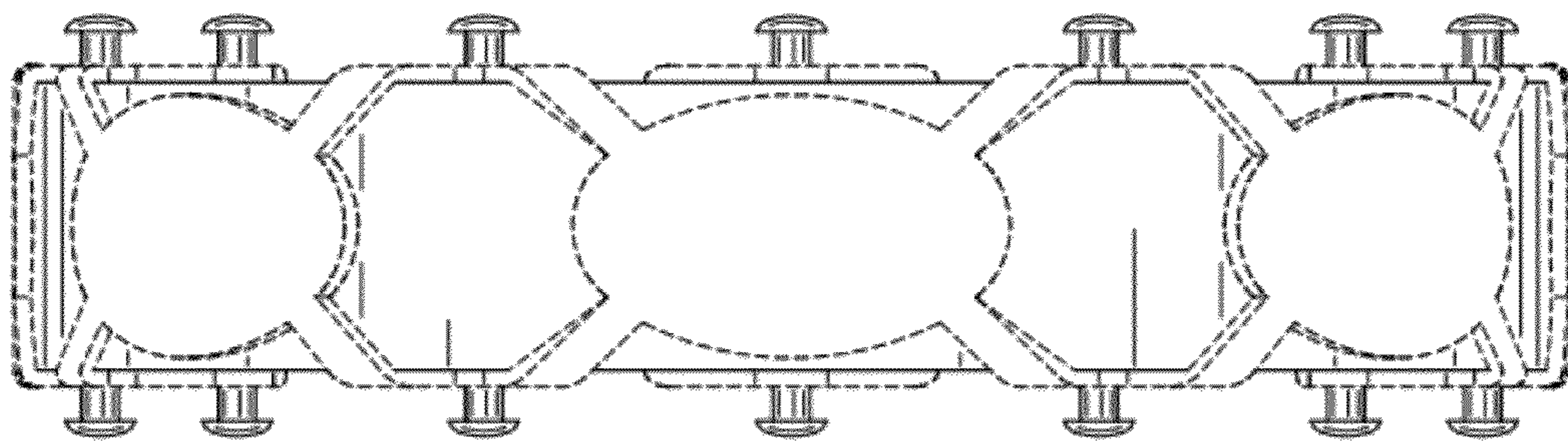


FIG. 3

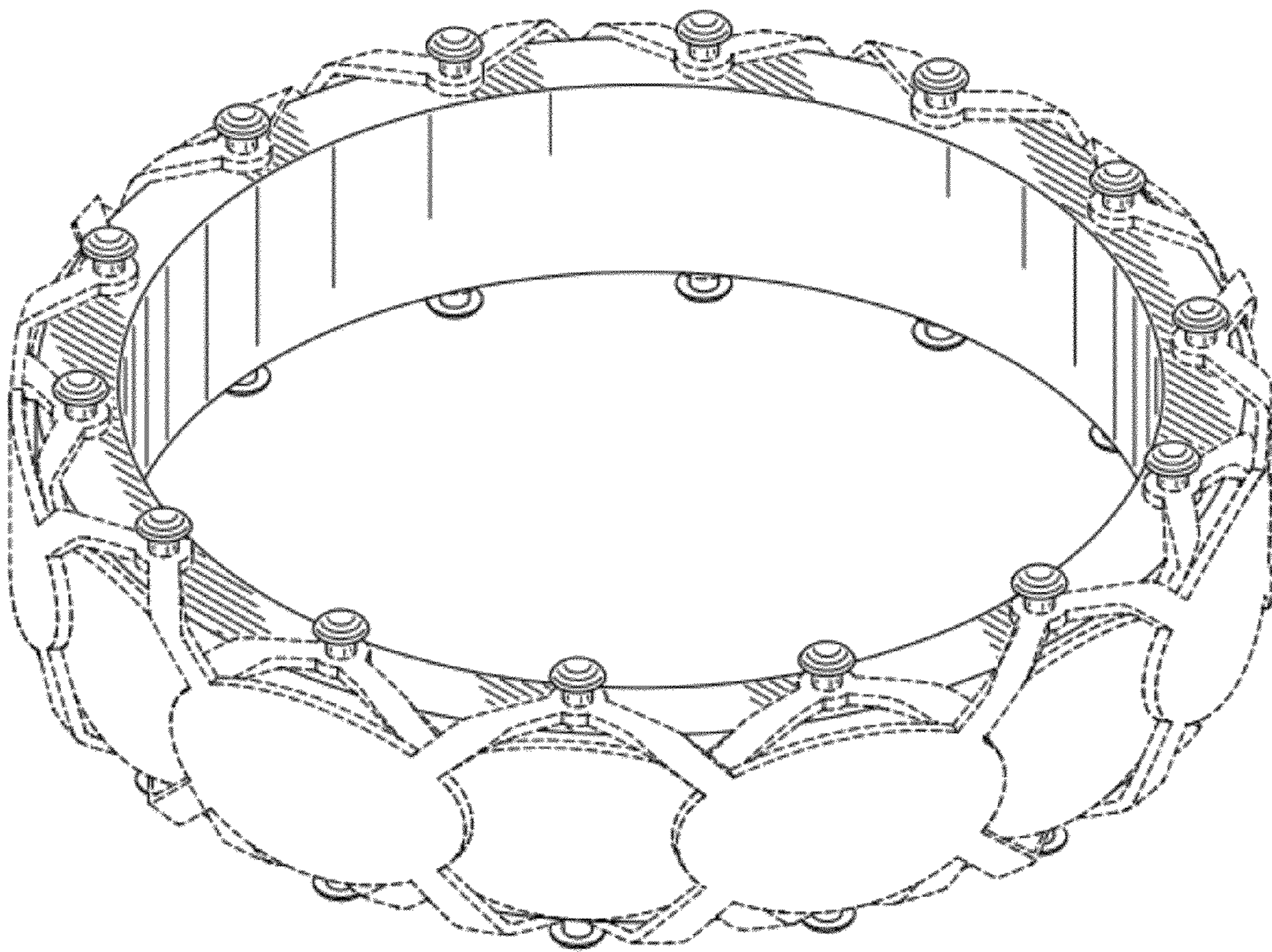


FIG. 4

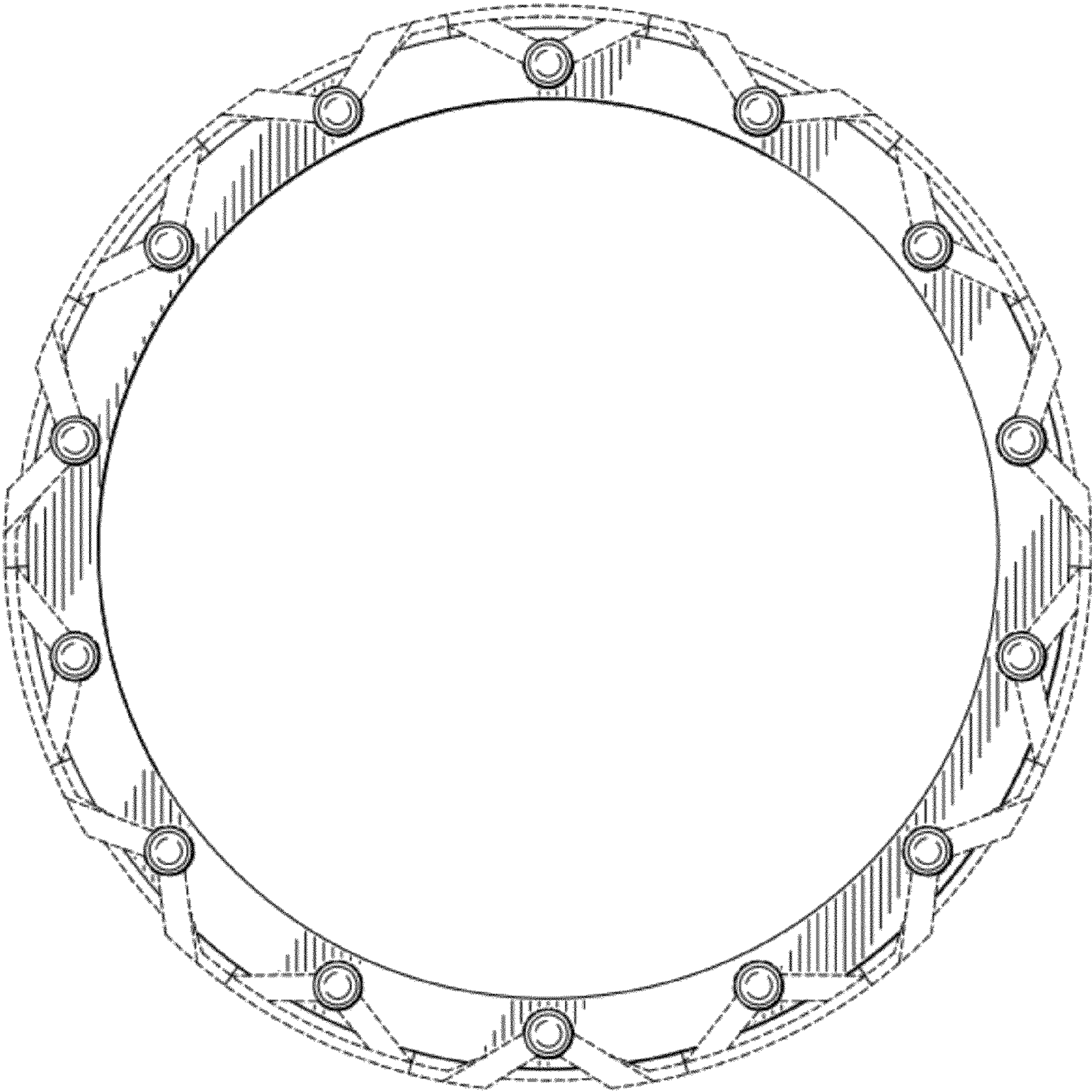


FIG. 5

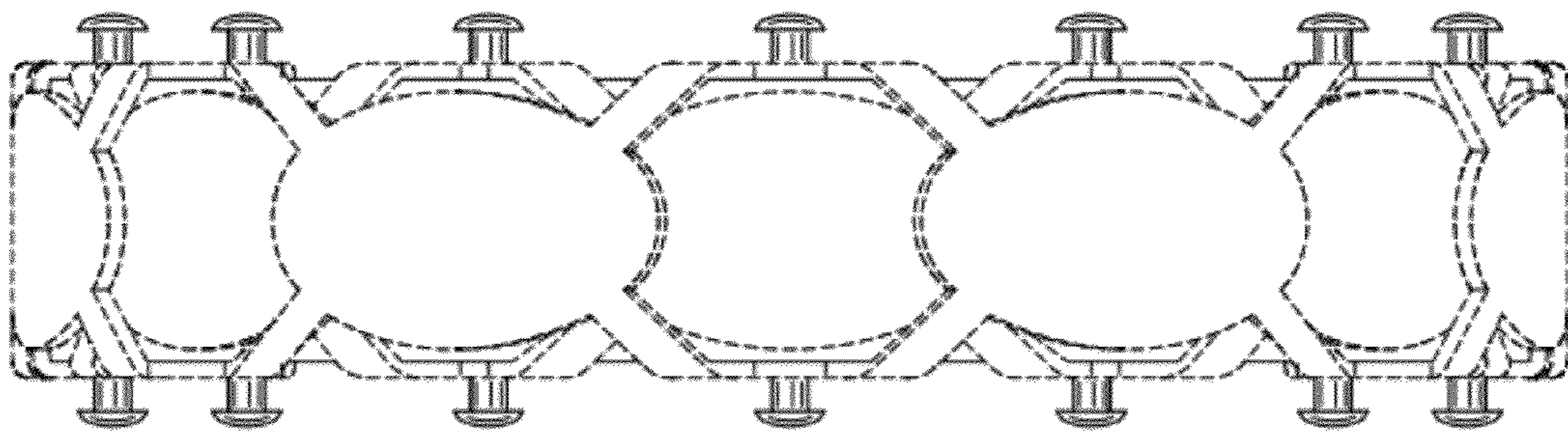


FIG. 6