



US00D657705S

(12) **United States Design Patent**
Guerrero, II

(10) **Patent No.:** **US D657,705 S**

(45) **Date of Patent:** **** Apr. 17, 2012**

(54) **PICK BRACELET**

(75) Inventor: **Alberto Guerrero, II**, Coppel, TX (US)

(73) Assignee: **Pennybandz, LLC**, Coppel, TX (US)

(**) Term: **14 Years**

(21) Appl. No.: **29/401,720**

(22) Filed: **Sep. 14, 2011**

(51) **LOC (9) Cl.** **11-01**

(52) **U.S. Cl.** **D11/4; D11/26**

(58) **Field of Classification Search** D11/1-39;
63/12, 13, 1.11, 15, 15.1, 15.2, 15.3, 15.4,
63/15.45, 15.5, 15.6, 15.65, 15.7, 26, 27;
D17/20

See application file for complete search history.

(56) **References Cited**

U.S. PATENT DOCUMENTS

D43,985 S *	5/1913	Bigney	D11/4
D291,809 S *	9/1987	Jasper	D17/20
D388,012 S *	12/1997	Matye	D11/44
D419,102 S *	1/2000	Mestrum	D11/26

D421,405 S *	3/2000	Mestrum	D11/26
D461,739 S *	8/2002	Jongsoonthornthurakit ..	D11/26
D462,288 S *	9/2002	Jongsoonthornthurakit ..	D11/26
D565,991 S *	4/2008	Mouclier	D11/26
2009/0249938 A1 *	10/2009	Goins et al.	84/320

* cited by examiner

Primary Examiner — Cathron Brooks

Assistant Examiner — Melanie Levy

(74) *Attorney, Agent, or Firm* — Fish & Richardson P.C.

(57) **CLAIM**

The ornamental design for a pick bracelet, substantially as shown and described.

DESCRIPTION

FIG. 1 is a perspective view of the pick bracelet.

FIG. 2 is a top view of the pick bracelet.

FIG. 3 is a bottom view of the pick bracelet.

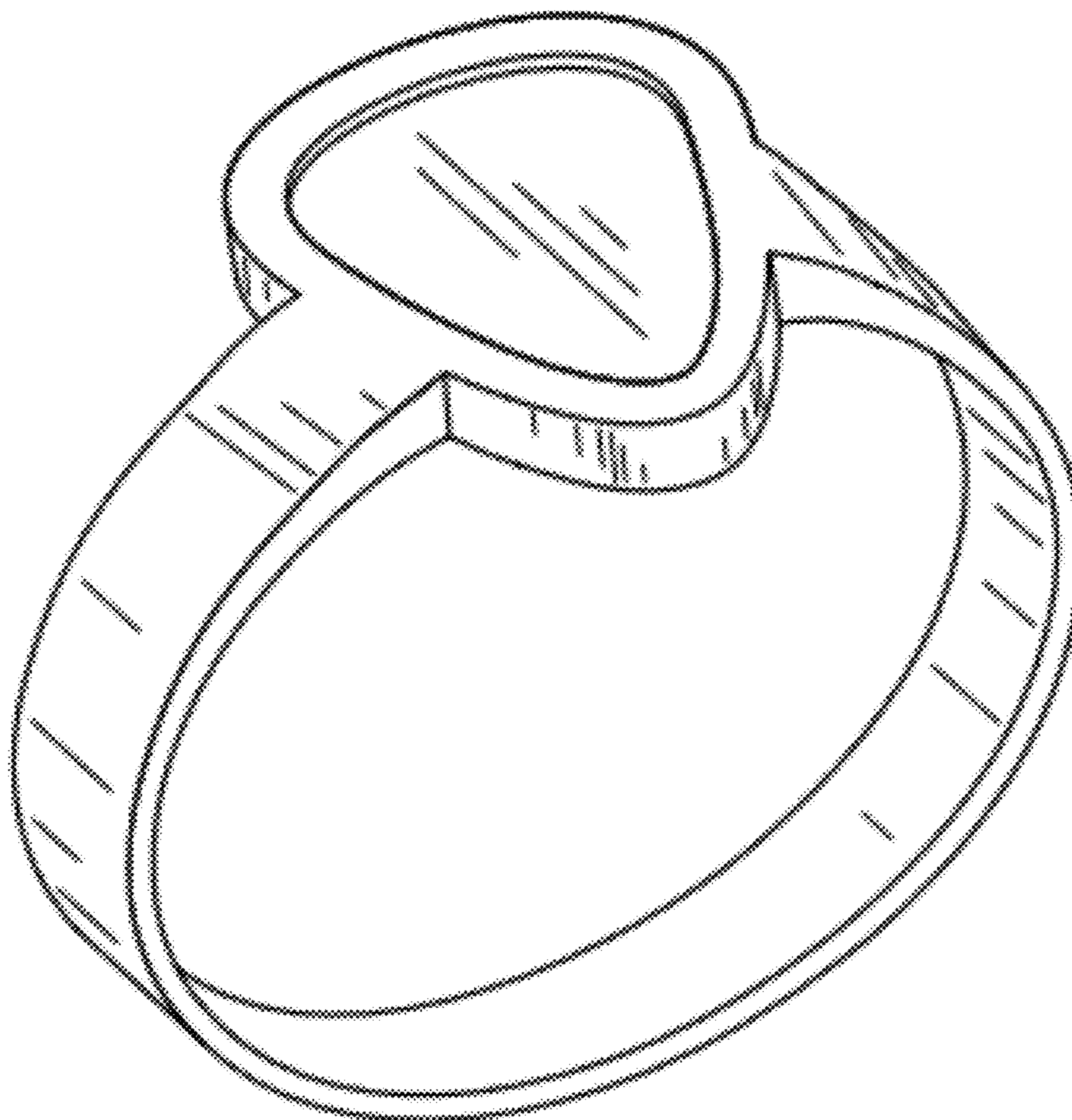
FIG. 4 is a front view of the pick bracelet.

FIG. 5 is a back view of the pick bracelet.

FIG. 6 is a side view of the pick bracelet; and,

FIG. 7 is an opposite side view of the pick bracelet.

1 Claim, 2 Drawing Sheets



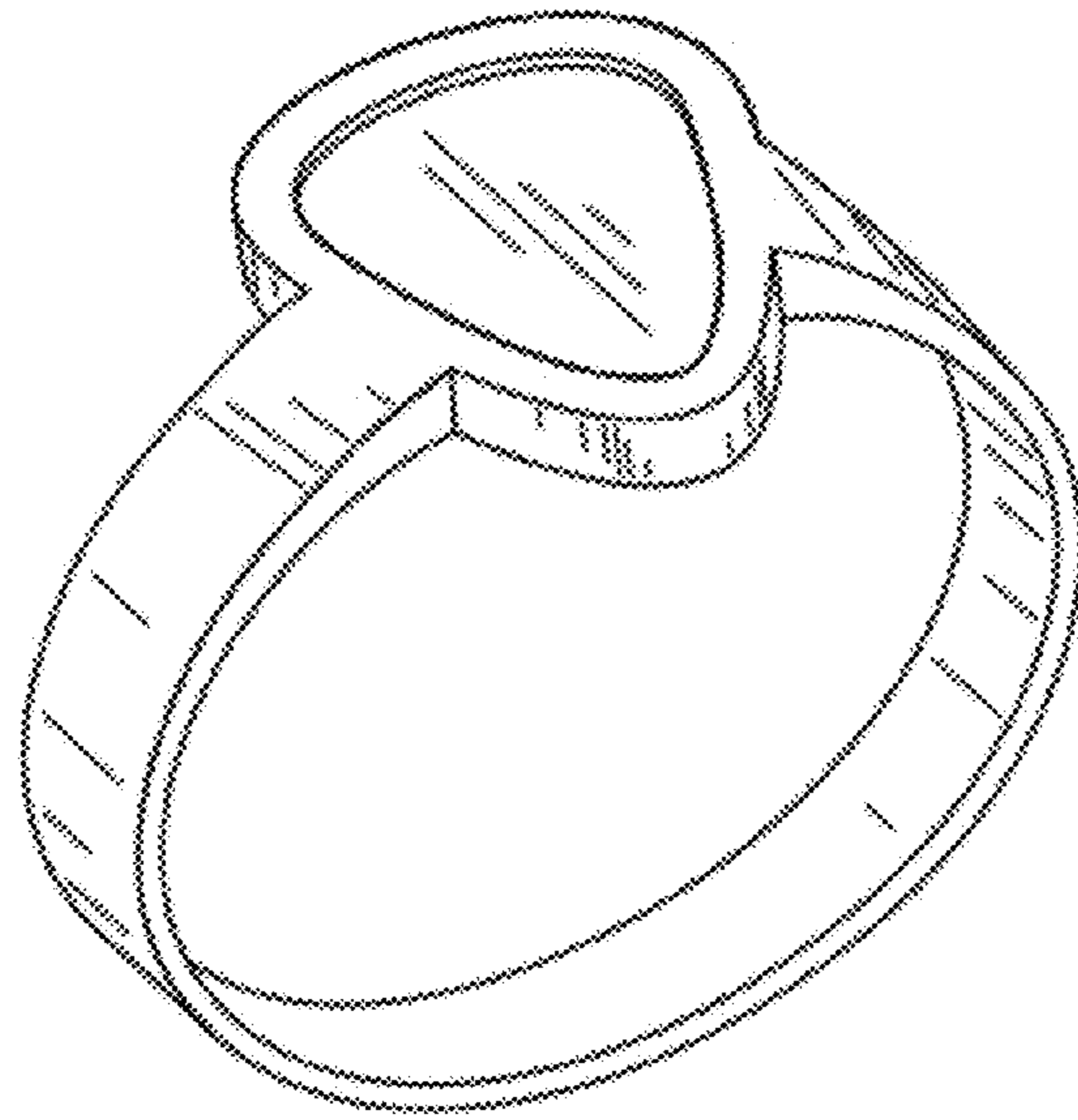


FIG. 1

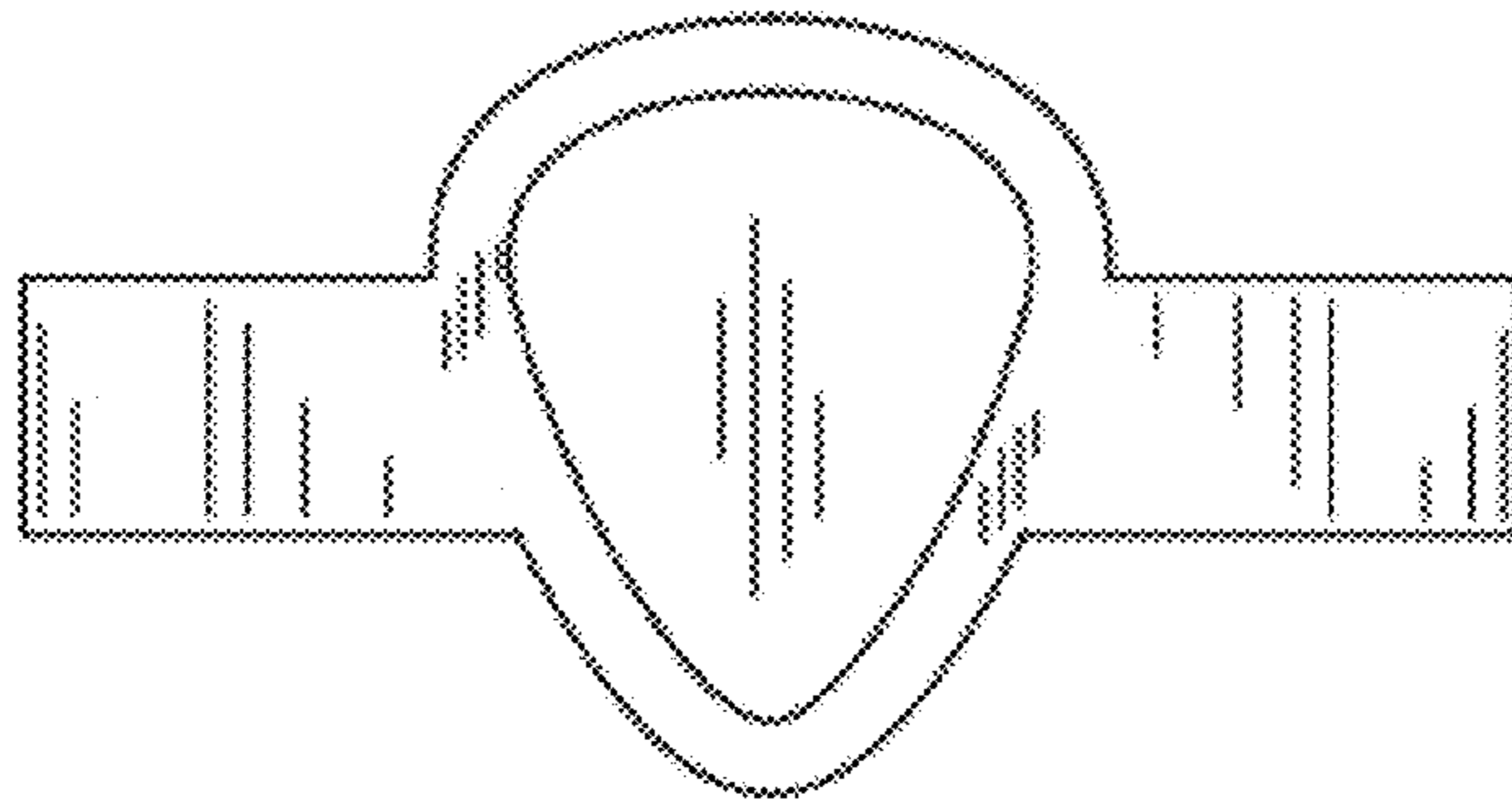


FIG. 2

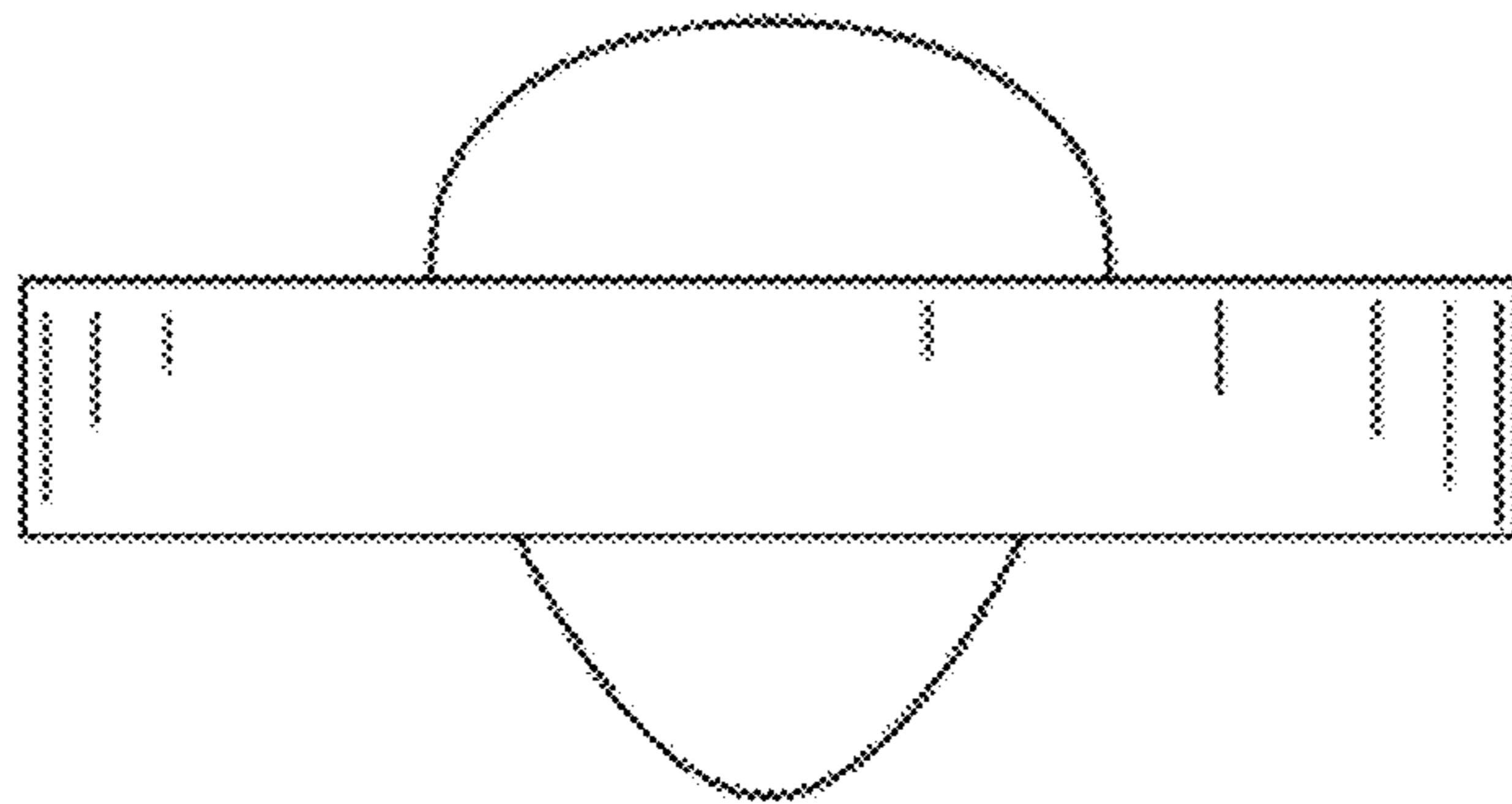


FIG. 3

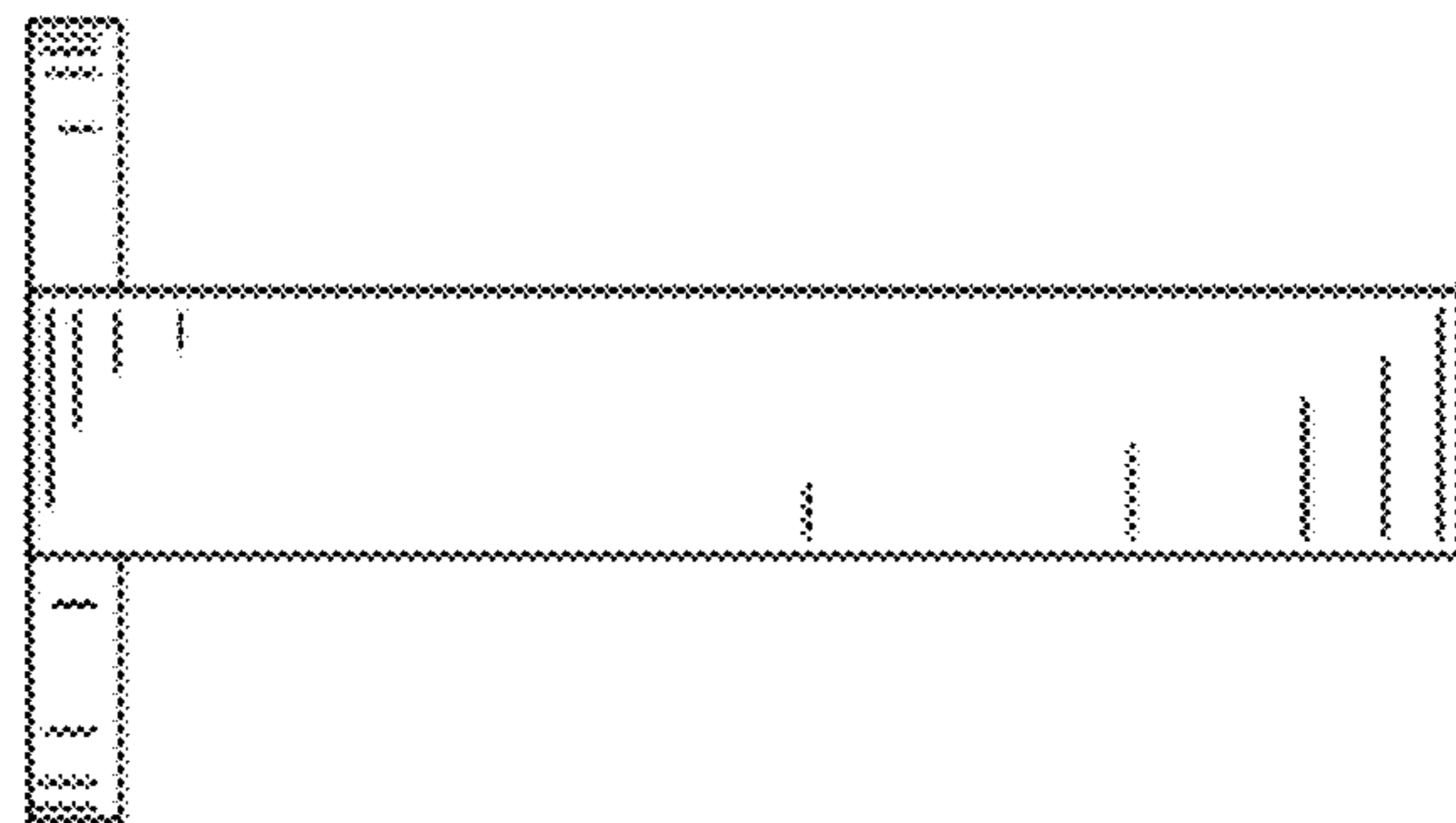


FIG. 4

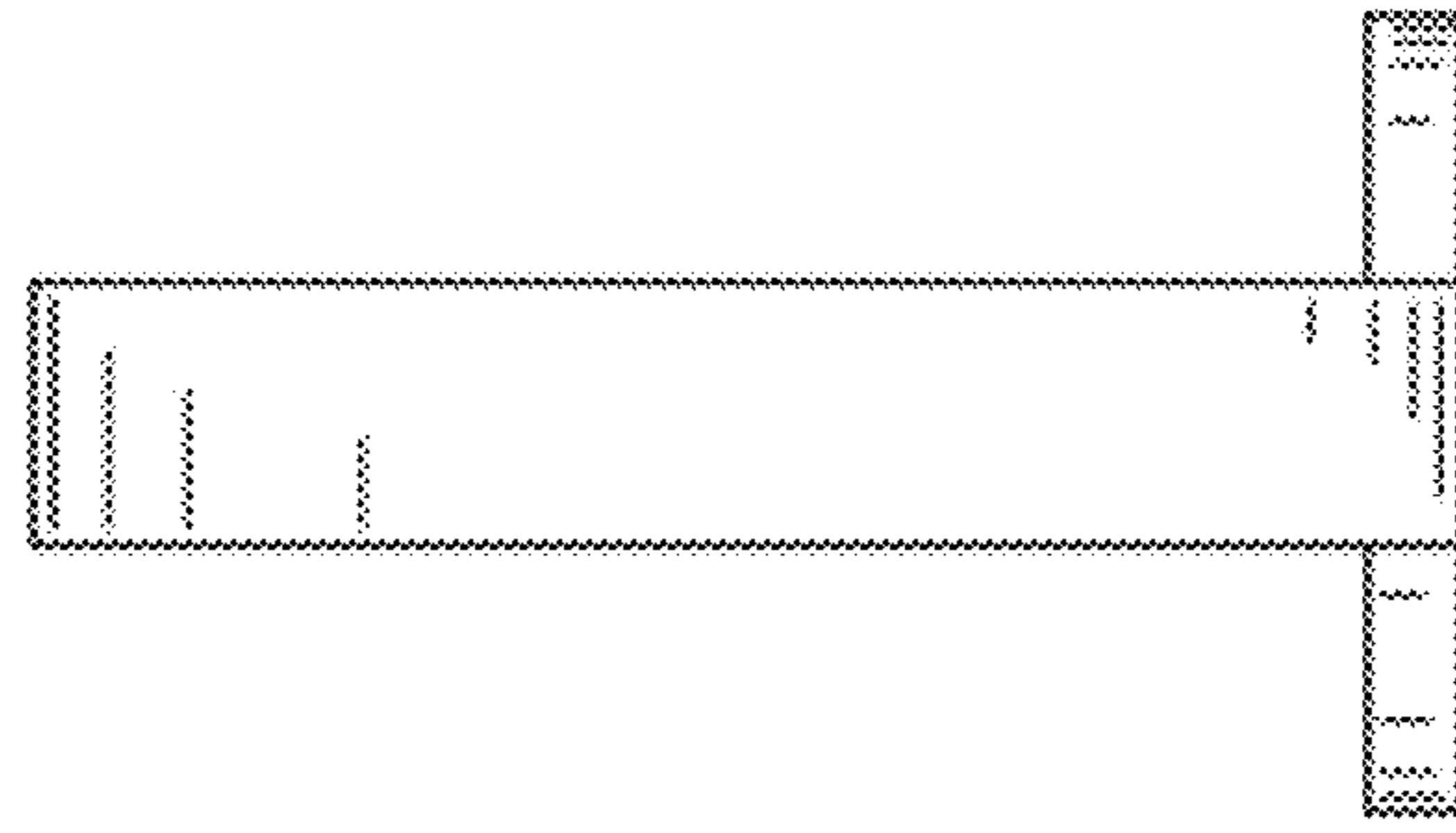


FIG. 5

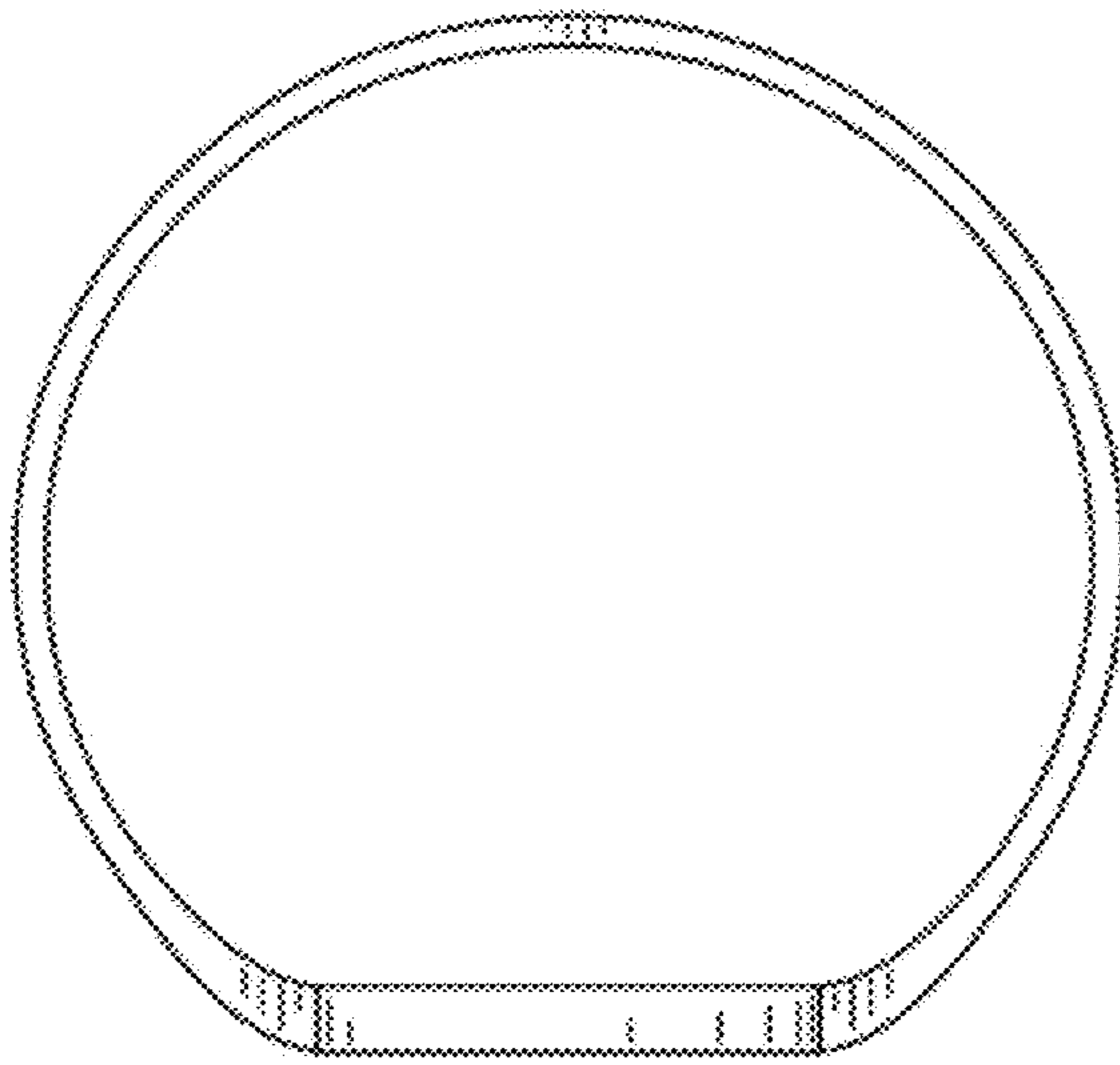


FIG. 6

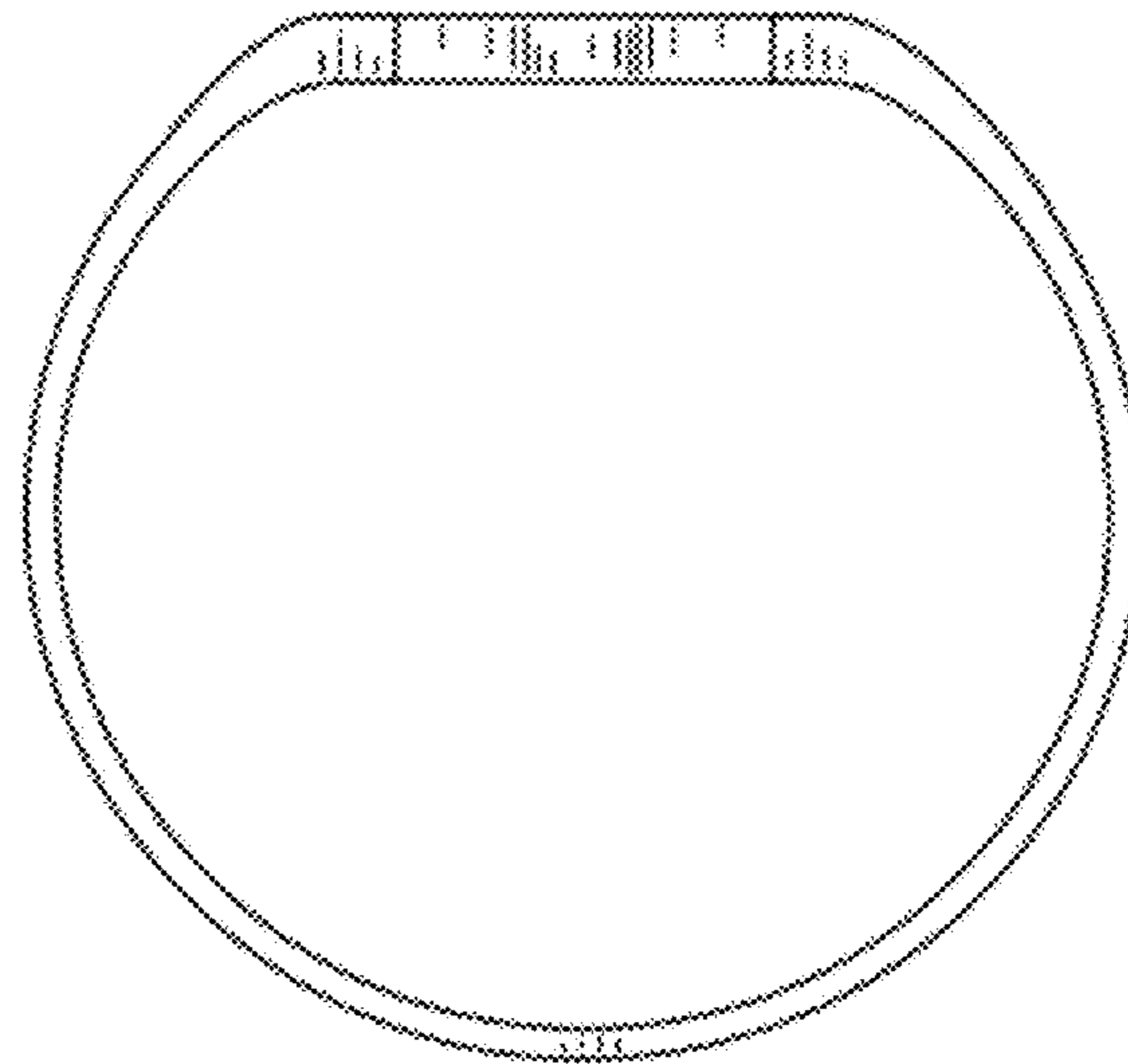


FIG. 7