



US00D657701S

(12) **United States Design Patent**
Martinez et al.

(10) **Patent No.:** **US D657,701 S**

(45) **Date of Patent:** **** Apr. 17, 2012**

(54) **SQUARE**

(75) Inventors: **Mark R. Martinez**, Atwater, CA (US);
Joel Allen, Winton, CA (US); **Brandon Miller**, Milwaukee, WI (US)

(73) Assignee: **Milwaukee Electric Tool Corporation**,
Brookfield, WI (US)

(**) Term: **14 Years**

(21) Appl. No.: **29/378,579**

(22) Filed: **Nov. 5, 2010**

(51) **LOC (9) Cl.** **10-04**

(52) **U.S. Cl.** **D10/65**

(58) **Field of Classification Search** D10/65;
33/451, 460, 470, 474, 476, 480
See application file for complete search history.

(56) **References Cited**

U.S. PATENT DOCUMENTS

0,217,736	A	7/1879	Kibbe
233,203	A	10/1880	Cushman
434,073	A	8/1890	Rondinella
583,058	A	5/1897	King
610,286	A	9/1898	Seat
614,144	A	11/1898	Thompson
710,891	A	10/1902	Pugh
732,379	A	6/1903	Shireman
759,935	A	5/1904	Swenson
828,375	A	8/1906	Breul
1,619,427	A	3/1927	McCaffery, Jr.
2,556,781	A	6/1951	Smithson

(Continued)

FOREIGN PATENT DOCUMENTS

DE 3503920 12/1985

Primary Examiner — Antoine D Davis

(74) *Attorney, Agent, or Firm* — Michael Best & Friedrich LLP

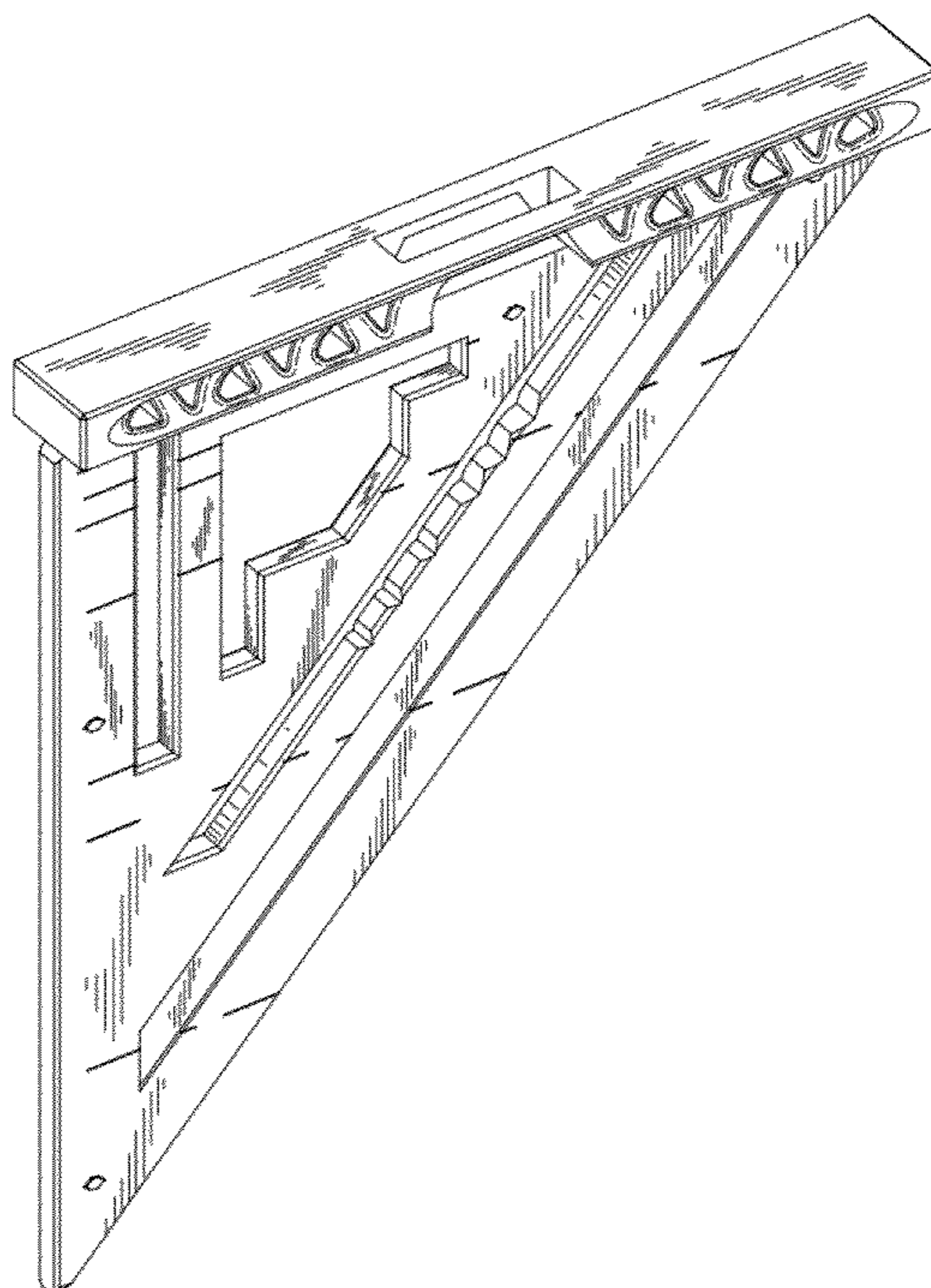
(57) **CLAIM**

The ornamental design for a square, as shown and described.

DESCRIPTION

FIG. 1 is a perspective view of a square.
 FIG. 2 is right side view of the square shown in FIG. 1.
 FIG. 3 is a left side view of the square shown in FIG. 1.
 FIG. 4 is a front side view of the square shown in FIG. 1.
 FIG. 5 is a rear view of the square shown in FIG. 1.
 FIG. 6 is a top view of the square shown in FIG. 1.
 FIG. 7 is a bottom view of the square shown in FIG. 1.
 FIG. 8 is a perspective view of the square according to an alternate embodiment of the invention.
 FIG. 9 is a right side view of the square shown in FIG. 8.
 FIG. 10 is a left side view of the square shown in FIG. 8.
 FIG. 11 is a front side view of the square shown in FIG. 8.
 FIG. 12 is a rear view of the square shown in FIG. 8.
 FIG. 13 is a top view of the square shown in FIG. 8; and,
 FIG. 14 is a bottom view of the square shown in FIG. 8.
 The present application is directed to the shape and contour of the design illustrated in the drawings. The broken line showing of the environment is for illustrative purposes only and forms no part of the claimed design. The broken lines which define the boundaries of the claimed design form no part thereof.

1 Claim, 10 Drawing Sheets



US D657,701 S

U.S. PATENT DOCUMENTS

2,652,629 A	9/1953	Prucker, Jr.	5,727,325 A	3/1998	Mussell
2,654,954 A	10/1953	Lawrence	5,845,413 A	12/1998	Zayat, Jr.
2,658,279 A	11/1953	Amundsen	5,901,445 A	5/1999	Woods et al.
2,914,269 A	11/1959	Freeman	D416,501 S	11/1999	DiGangi et al.
3,672,597 A	6/1972	Williamson	D422,225 S	4/2000	DiGangi et al.
4,060,902 A	12/1977	Keller	6,115,931 A	9/2000	Arcand
4,171,573 A	10/1979	Picciotto	6,122,834 A	9/2000	Rester
4,404,753 A	9/1983	Klok	6,141,882 A	11/2000	Syken
4,461,092 A	7/1984	Hore	6,230,416 B1	5/2001	Trigilio
4,503,624 A	3/1985	Whiteford	6,233,789 B1	5/2001	Douglas
4,513,510 A	4/1985	Swanson	D445,700 S	7/2001	Mapston
4,700,489 A	10/1987	Vasile	6,314,652 B1	11/2001	English
4,712,307 A	12/1987	Kish	6,393,710 B1	5/2002	Hastings
4,742,619 A	5/1988	Swanson	6,571,487 B1	6/2003	Canalle
4,766,673 A	8/1988	Bolson	6,622,394 B2	9/2003	Werner et al.
4,773,163 A	9/1988	Wolford, Jr.	6,640,456 B2	11/2003	Owoc et al.
4,786,010 A	11/1988	Dynan	6,688,014 B1	2/2004	Allemand
4,863,113 A	9/1989	Dynan	D491,823 S *	6/2004	Schwarm D10/62
4,926,564 A	5/1990	Loggins	6,792,687 B2	9/2004	Arent et al.
4,965,944 A	10/1990	Kuze et al.	6,868,616 B2	3/2005	Allemand
4,999,922 A	3/1991	Loggins	6,928,744 B2	8/2005	Schweighoffer et al.
5,012,590 A	5/1991	Wagner et al.	D511,698 S	11/2005	Allemand
5,079,851 A	1/1992	Sill	7,228,636 B1	6/2007	Moore
5,140,755 A	8/1992	Simmons, Jr.	7,269,909 B1	9/2007	Barbieri
5,170,568 A	12/1992	Wright	7,546,996 B2	6/2009	Somji
5,253,426 A	10/1993	Mosbrucker	7,549,235 B2	6/2009	Alders
D349,462 S	8/1994	Douglas	2004/0068885 A1	4/2004	Rubin
5,337,487 A	8/1994	Mangino, Sr.	2004/0172846 A1	9/2004	McRae
5,452,522 A	9/1995	Kook et al.	2007/0138367 A1	6/2007	Somji
5,456,015 A	10/1995	Butcher et al.	2007/0214674 A1	9/2007	Erisoty et al.
5,459,942 A	10/1995	Hintz, Jr.	2008/0017537 A1	1/2008	Inskeep et al.
D364,574 S	11/1995	Utz et al.	2008/0245831 A1	10/2008	Simon
5,509,213 A	4/1996	Kelly et al.	2009/0020447 A1	1/2009	Potterfield et al.
D369,981 S	5/1996	Hayes et al.	2009/0038172 A1	2/2009	Caldi
5,575,074 A	11/1996	Cottongim et al.	2009/0090016 A1	4/2009	Roach
5,575,506 A	11/1996	Gardenhour, Jr. et al.	2009/0271999 A1	11/2009	Alker

* cited by examiner

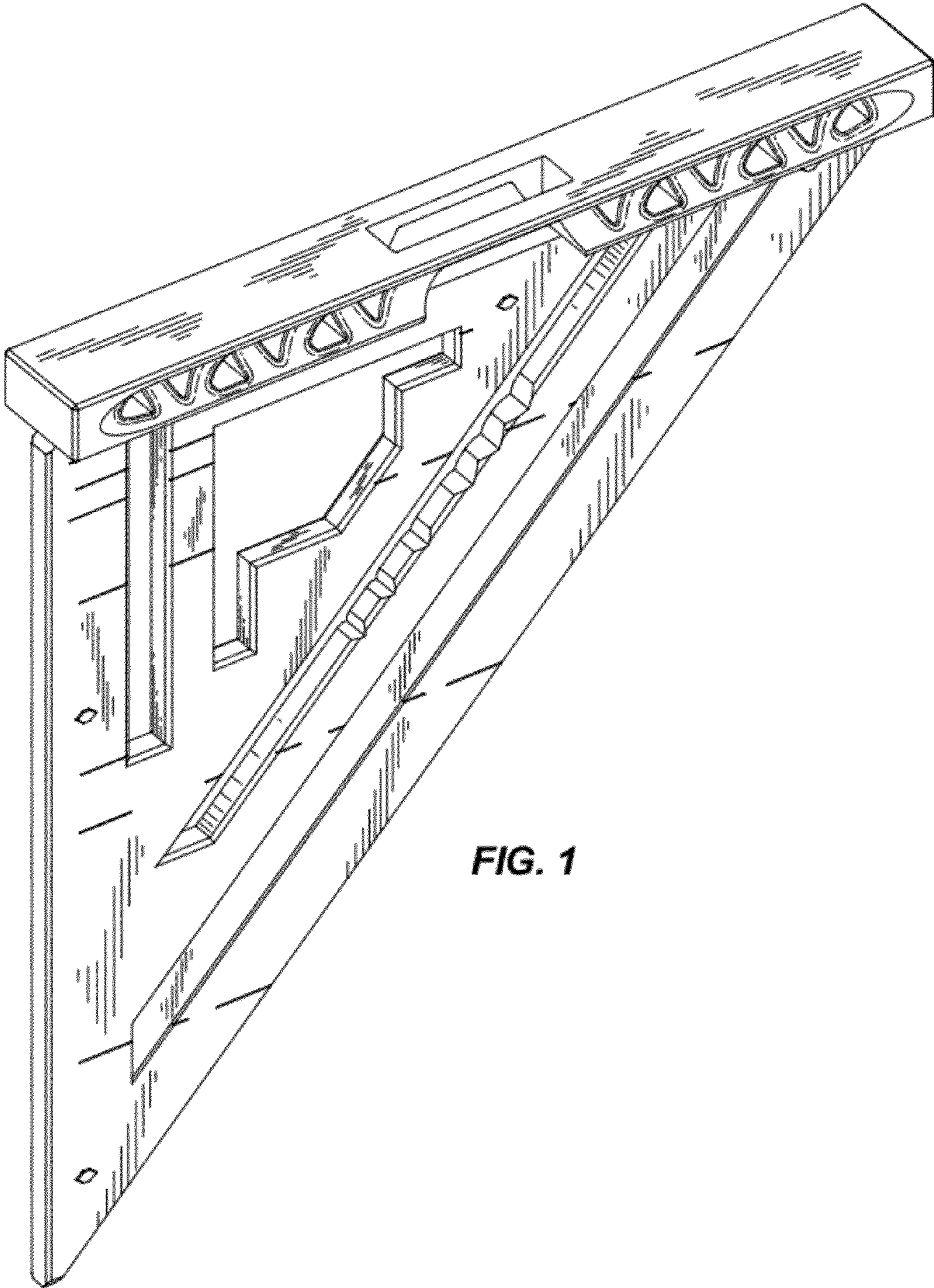


FIG. 1

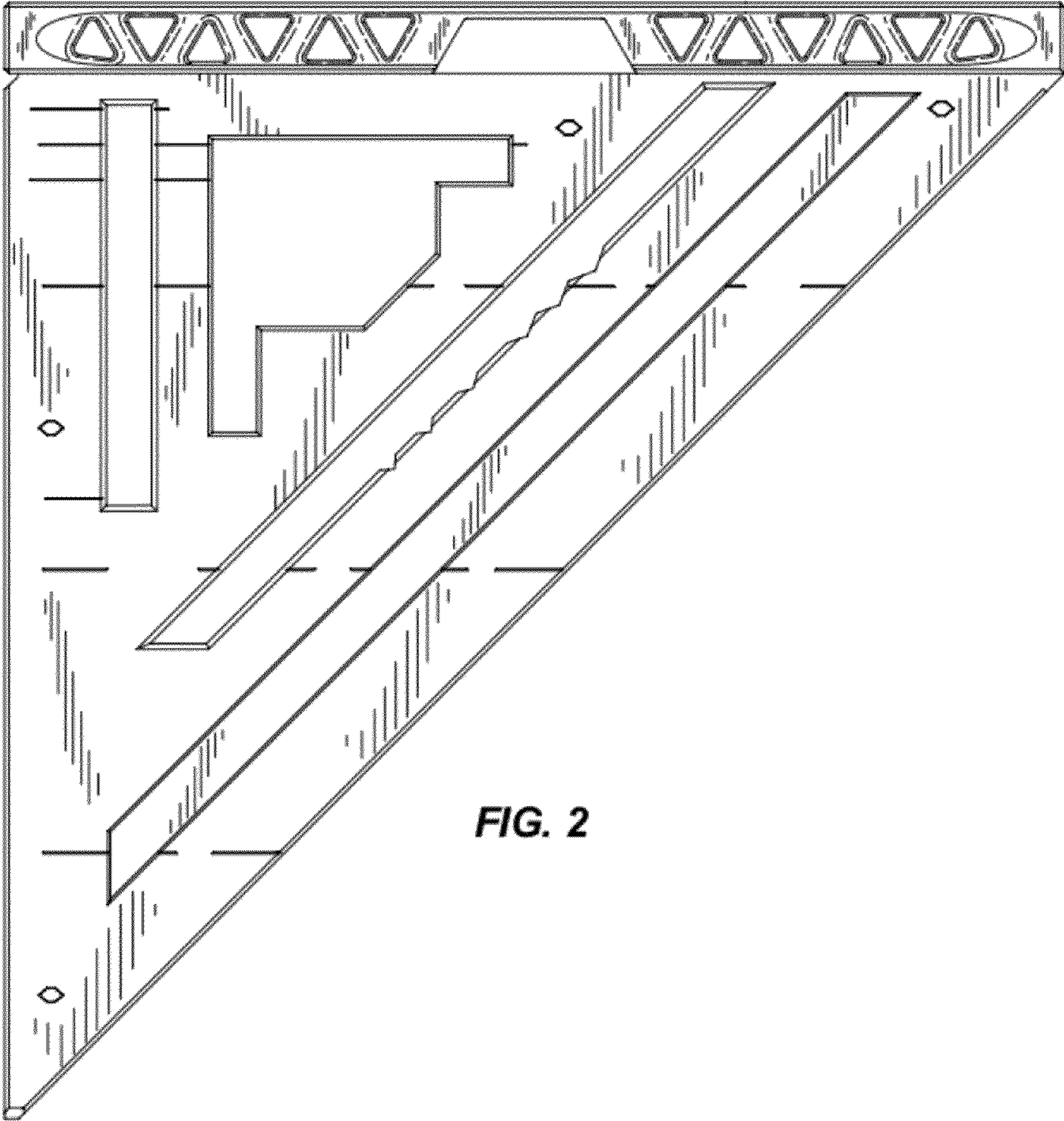


FIG. 2

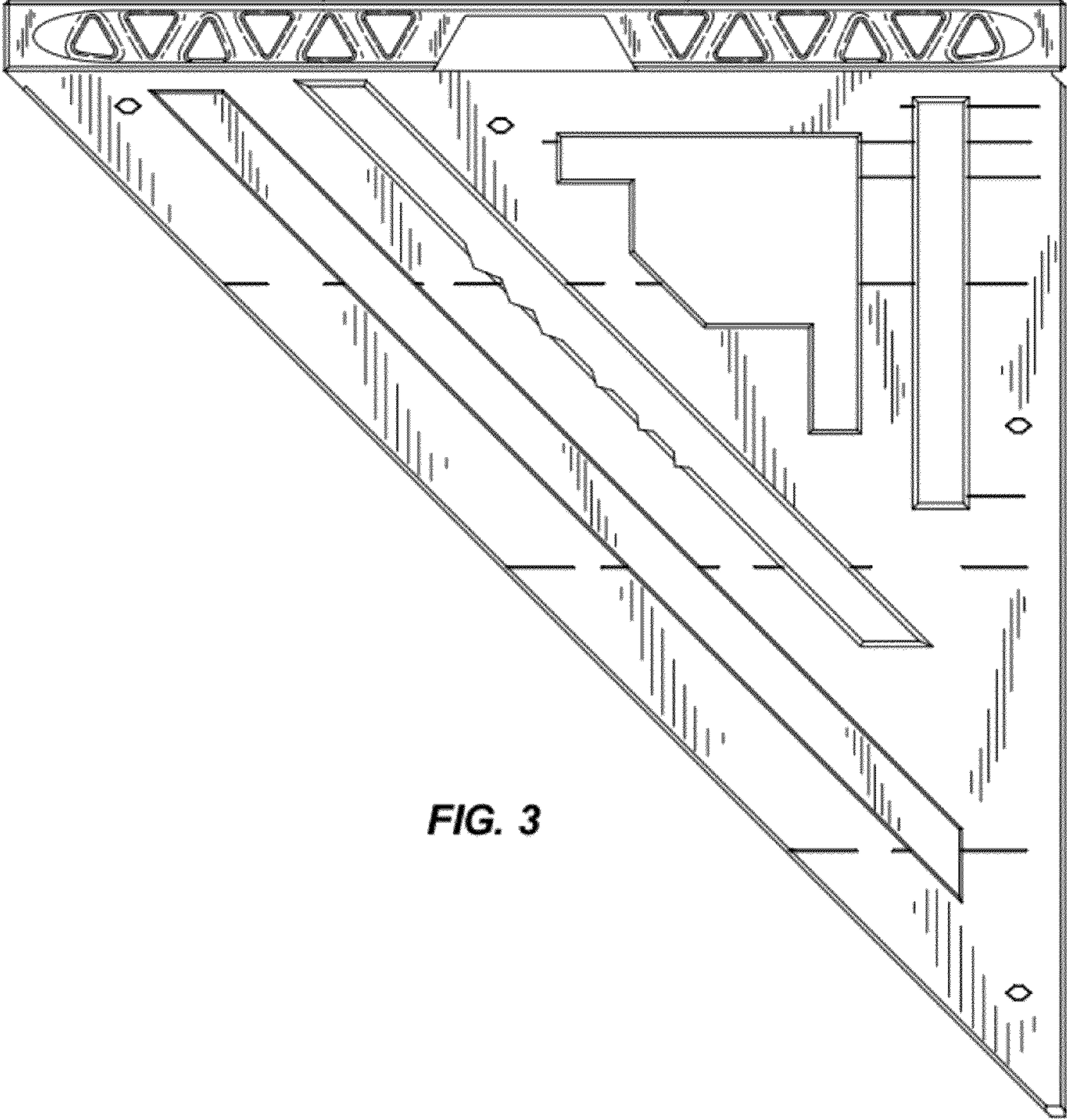


FIG. 3

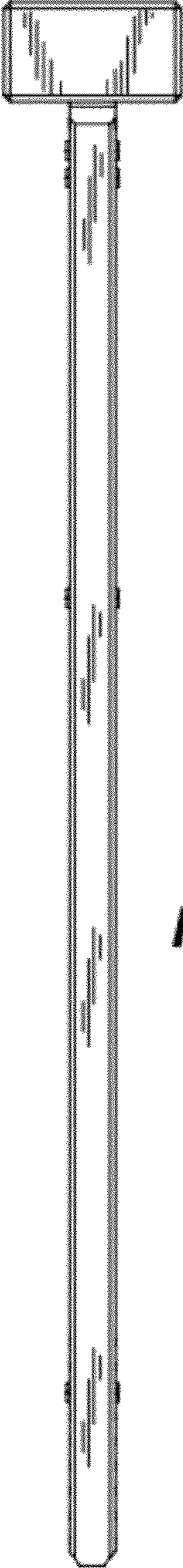


FIG. 4

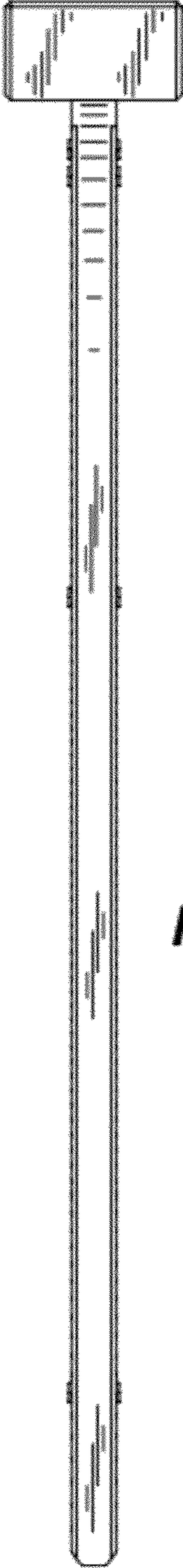


FIG. 5

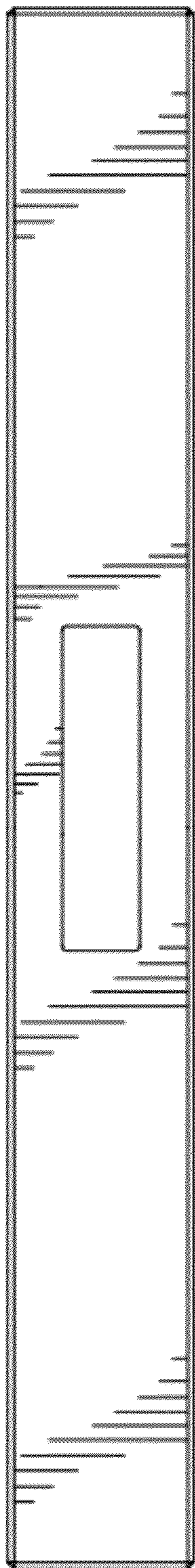


FIG. 6

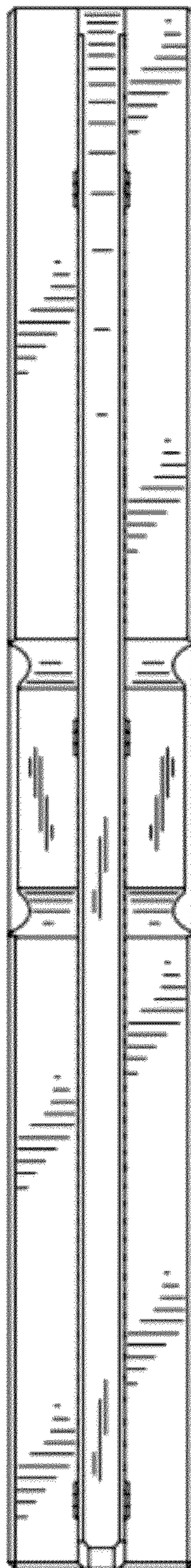


FIG. 7

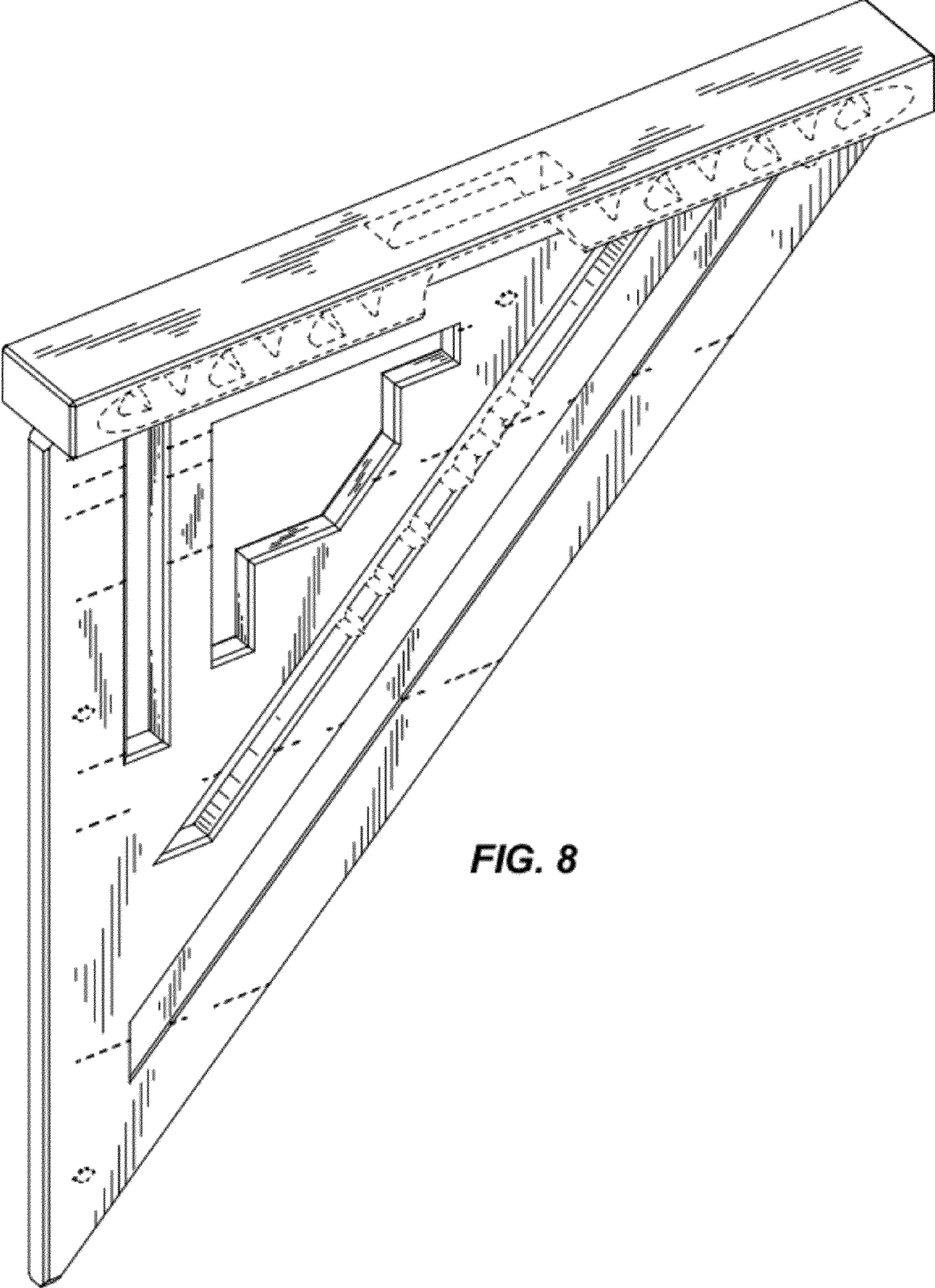
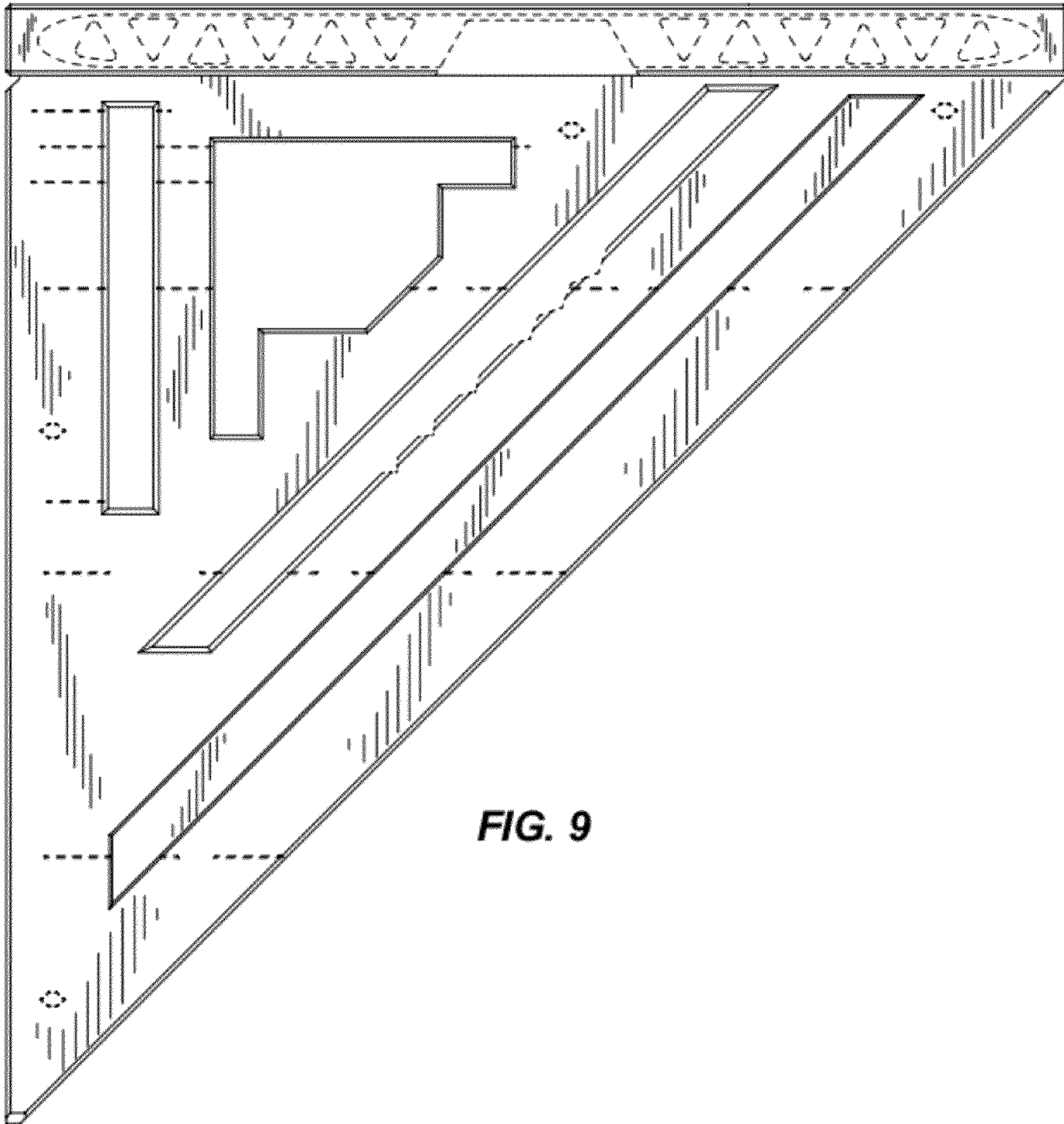


FIG. 8



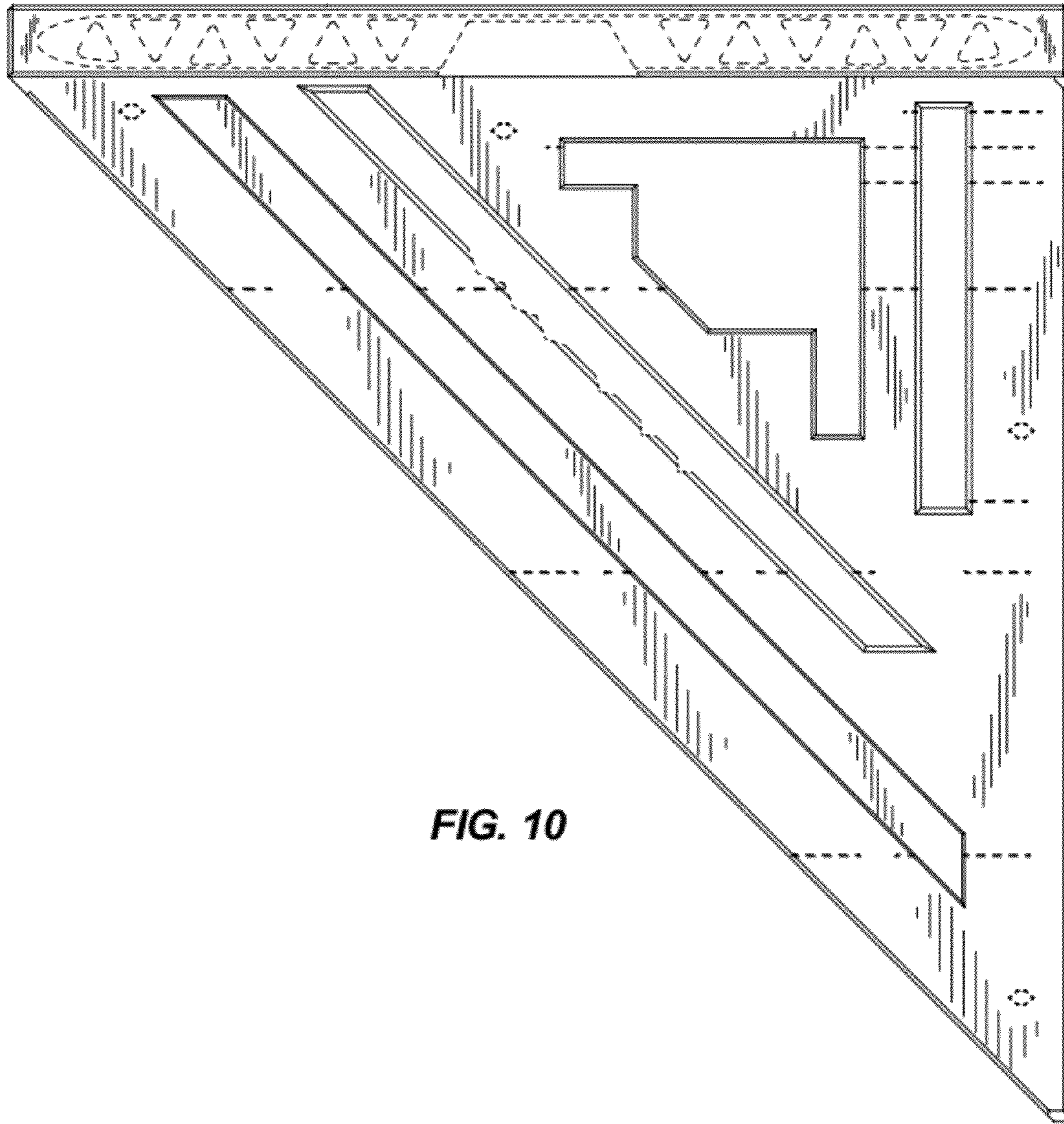


FIG. 10

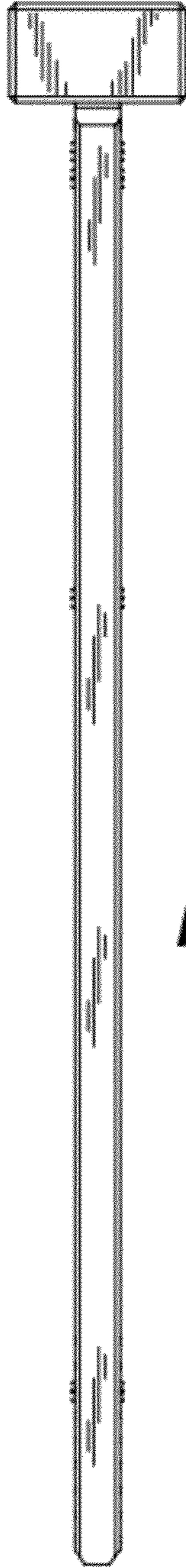


FIG. 11

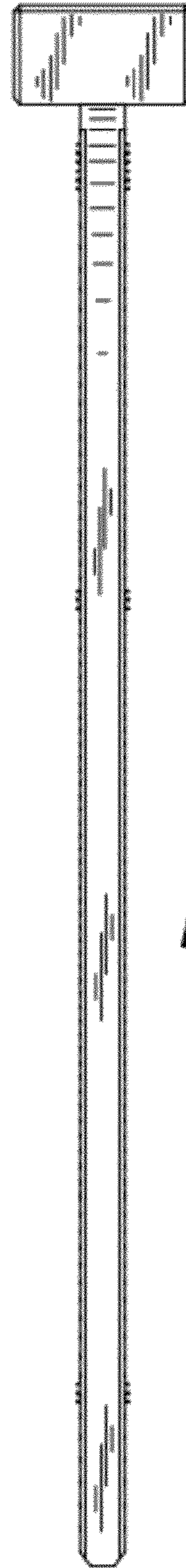


FIG. 12

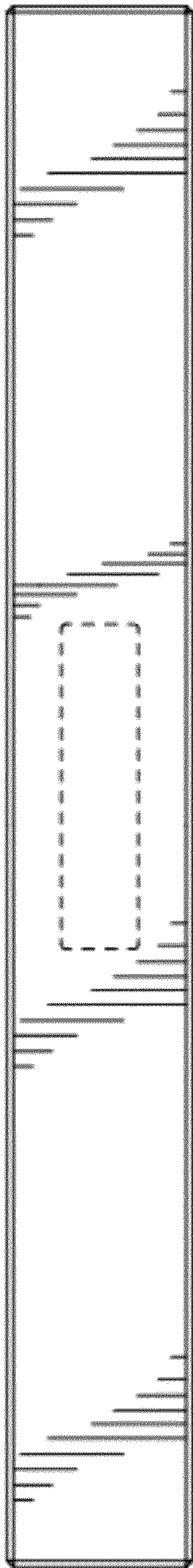


FIG. 13

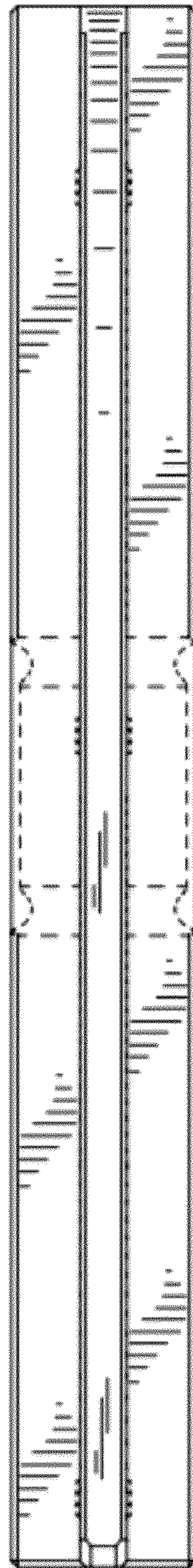


FIG. 14