



US00D657697S

(12) **United States Design Patent**
Lammers-Meis et al.

(10) **Patent No.:** **US D657,697 S**
(45) **Date of Patent:** **** Apr. 17, 2012**

(54) **WATCH DEVICE**

(75) Inventors: **David F. Lammers-Meis**, Olathe, KS
(US); **Todd P. Register**, Olathe, KS (US)

(73) Assignee: **Garmin Switzerland GmbH** (CH)

(**) Term: **14 Years**

(21) Appl. No.: **29/410,377**

(22) Filed: **Jan. 6, 2012**

Related U.S. Application Data

(63) Continuation of application No. 29/357,449, filed on
Mar. 12, 2010, now abandoned.

(51) **LOC (9) Cl.** **10-02**

(52) **U.S. Cl.** **D10/38; D10/31**

(58) **Field of Classification Search** D10/30-39;
368/276, 281, 282, 285, 10

See application file for complete search history.

(56) **References Cited**

U.S. PATENT DOCUMENTS

D278,686	S	5/1985	Mathez	D10/39
D321,836	S	11/1991	Hysek	D10/39
D331,020	S	* 11/1992	Ishii et al.	D10/31
D331,021	S	* 11/1992	Ishii et al.	D10/31
D331,541	S	12/1992	Burgener	D10/39
D331,708	S	12/1992	Burgener	D10/39
D356,270	S	3/1995	Kaneko	D10/32
5,810,736	A	* 9/1998	Pail	600/500
D402,565	S	12/1998	Sato et al.	D10/32
D416,204	S	11/1999	Hsu	D10/30
D439,528	S	3/2001	Eliav	D10/30
D441,303	S	5/2001	Hanagata	D10/30
D452,005	S	* 12/2001	Rantala	D24/165

D452,007	S	12/2001	Rantala	D24/167
D462,623	S	* 9/2002	Fujihara	D10/30
D512,922	S	* 12/2005	Yan	D10/32
7,006,408	B2	2/2006	Chen	368/10
7,263,461	B2	* 8/2007	Sugai	702/150
D581,811	S	12/2008	Messmer et al.	D10/32
D581,812	S	* 12/2008	Moritz	D10/32
D583,682	S	* 12/2008	Blank	D10/32
D586,674	S	* 2/2009	Solarewicz	D10/70

(Continued)

OTHER PUBLICATIONS

Garmin Forerunner 50, published 2008.

(Continued)

Primary Examiner — Lucy Lieberman

(74) *Attorney, Agent, or Firm* — Samuel M. Korte

(57) **CLAIM**

The ornamental design for a watch device, as shown and described.

DESCRIPTION

FIG. 1 is a front and right side perspective view of a watch device showing our new design;

FIG. 2 is a rear perspective view of the watch device;

FIG. 3 is a front view of the watch device;

FIG. 4 is a rear view of the watch device;

FIG. 5 is a top view of the watch device;

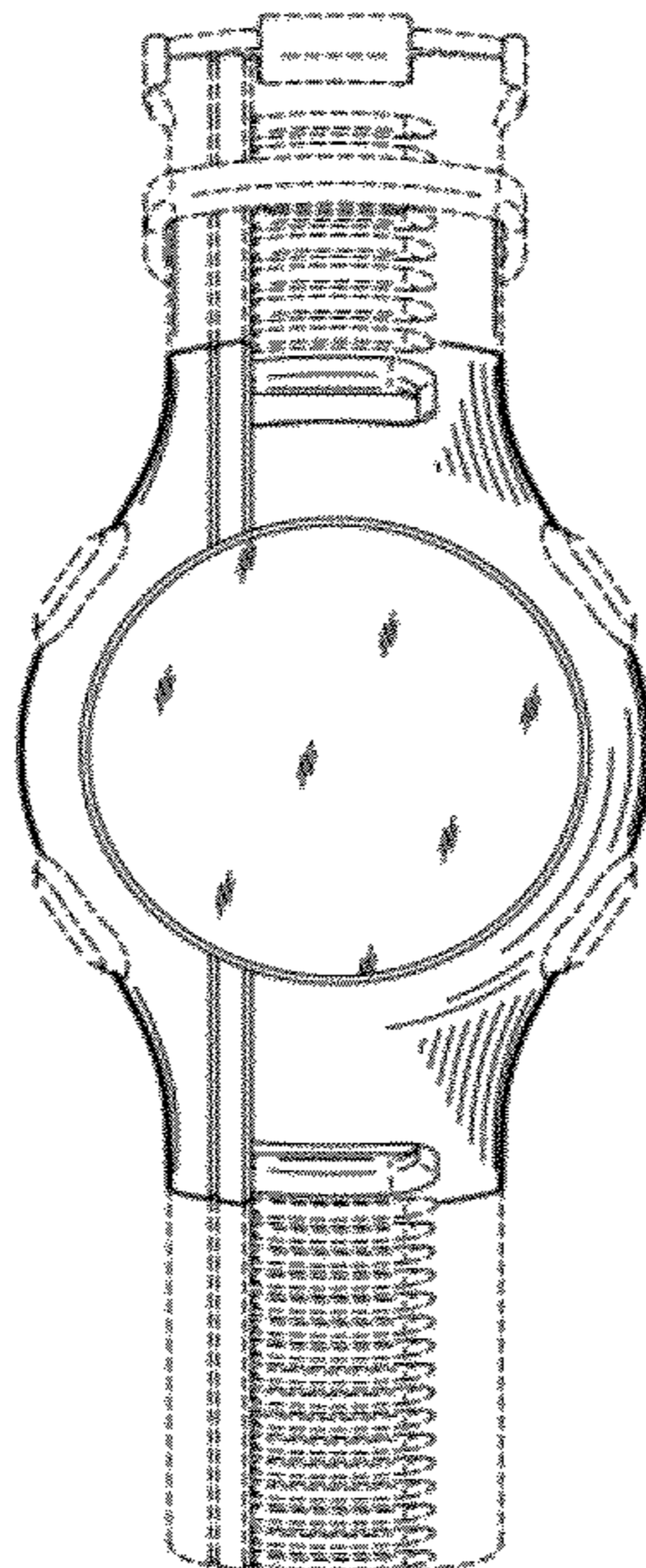
FIG. 6 is a bottom view of the watch device;

FIG. 7 is a right side view of the watch device; and,

FIG. 8 is a left side view of the watch device.

Portions of FIGS. 1 through 8 are shown in dashed lines for illustrative purposes only and form no part of the claimed design.

1 Claim, 4 Drawing Sheets



US D657,697 S

Page 2

U.S. PATENT DOCUMENTS

D602,386 S * 10/2009 Ueda et al. D10/98

OTHER PUBLICATIONS

Garmin Forerunner 60, published Jan. 2009.

Garmin Forerunner 405, published 2008.

Polar FT80, published prior to Mar. 12, 2010.

Polar RS200, published prior to Mar. 12, 2010.

Suunto Core Light Green, published prior to Mar. 12, 2010.

Suunto Lumi, published prior to Mar. 12, 2010.

Suunto T3c, published prior to Mar. 12, 2010.

* cited by examiner

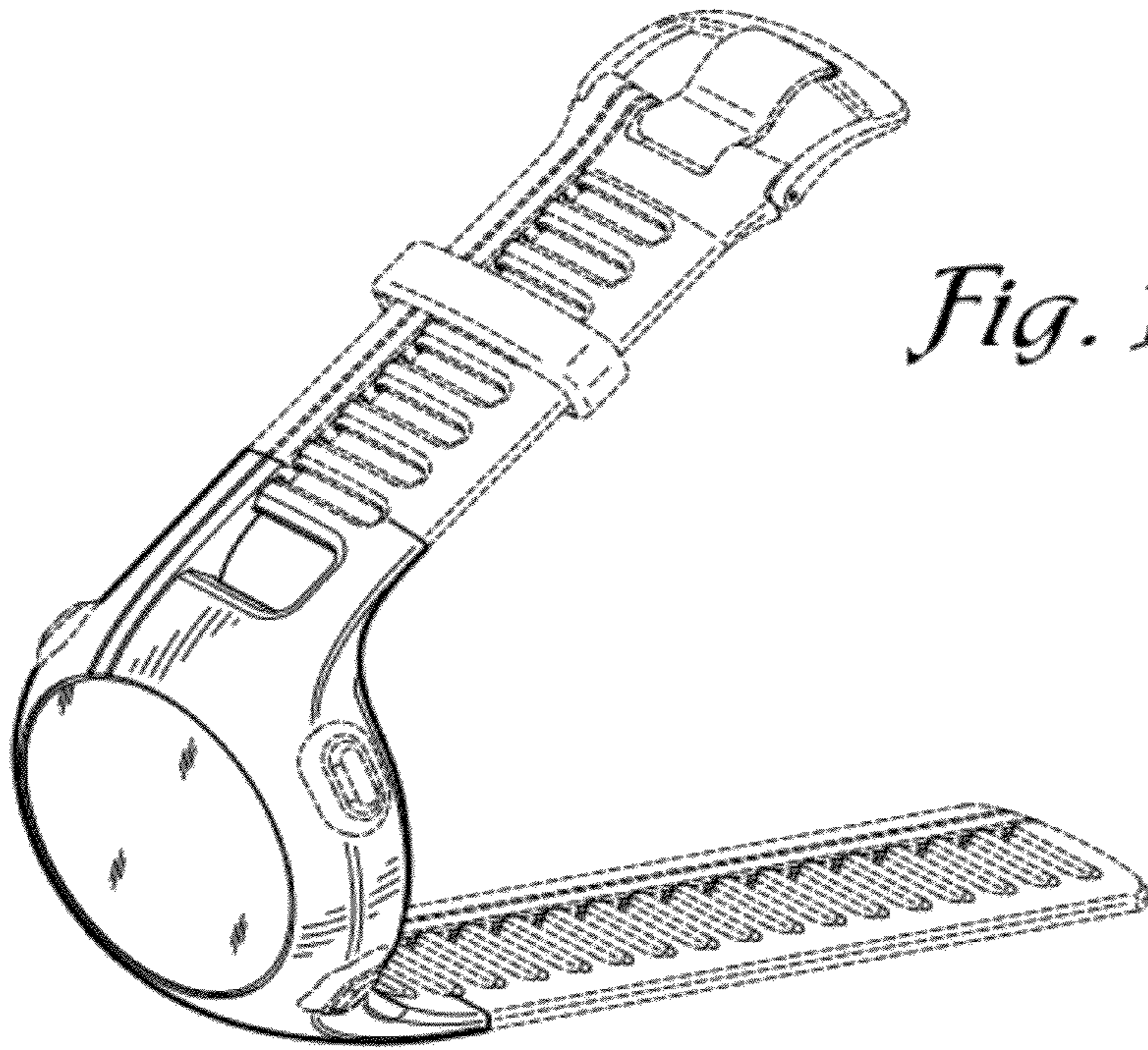


Fig. 1

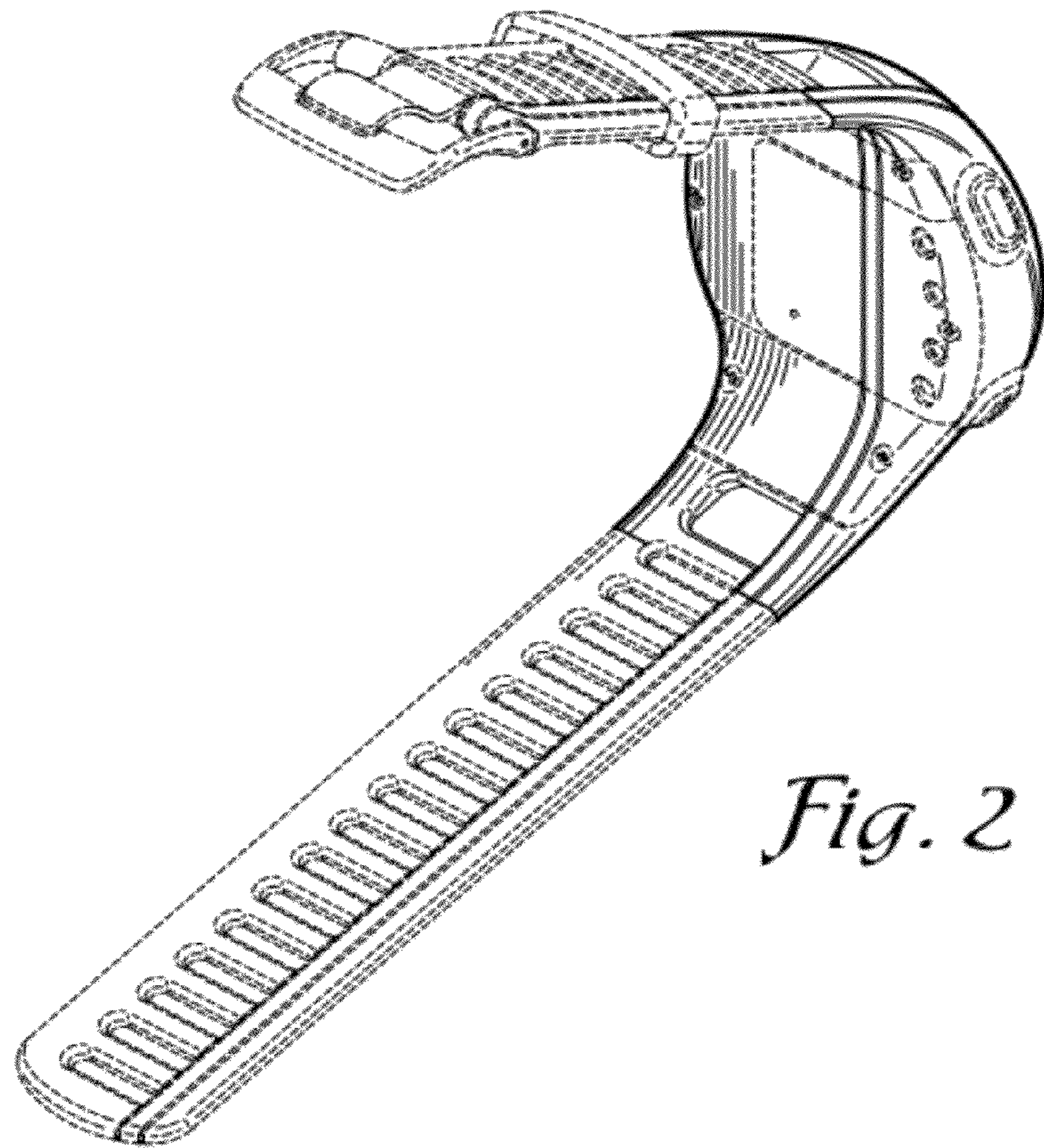


Fig. 2

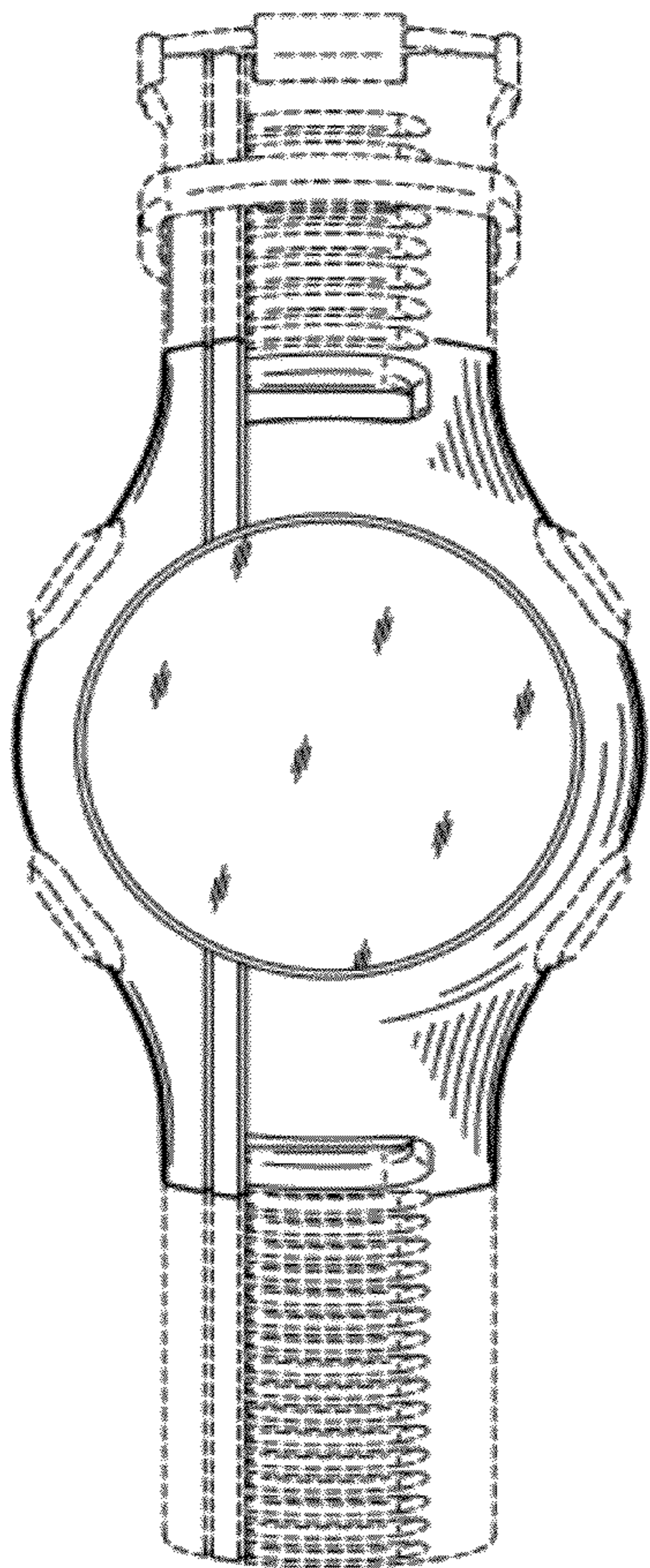


Fig. 3

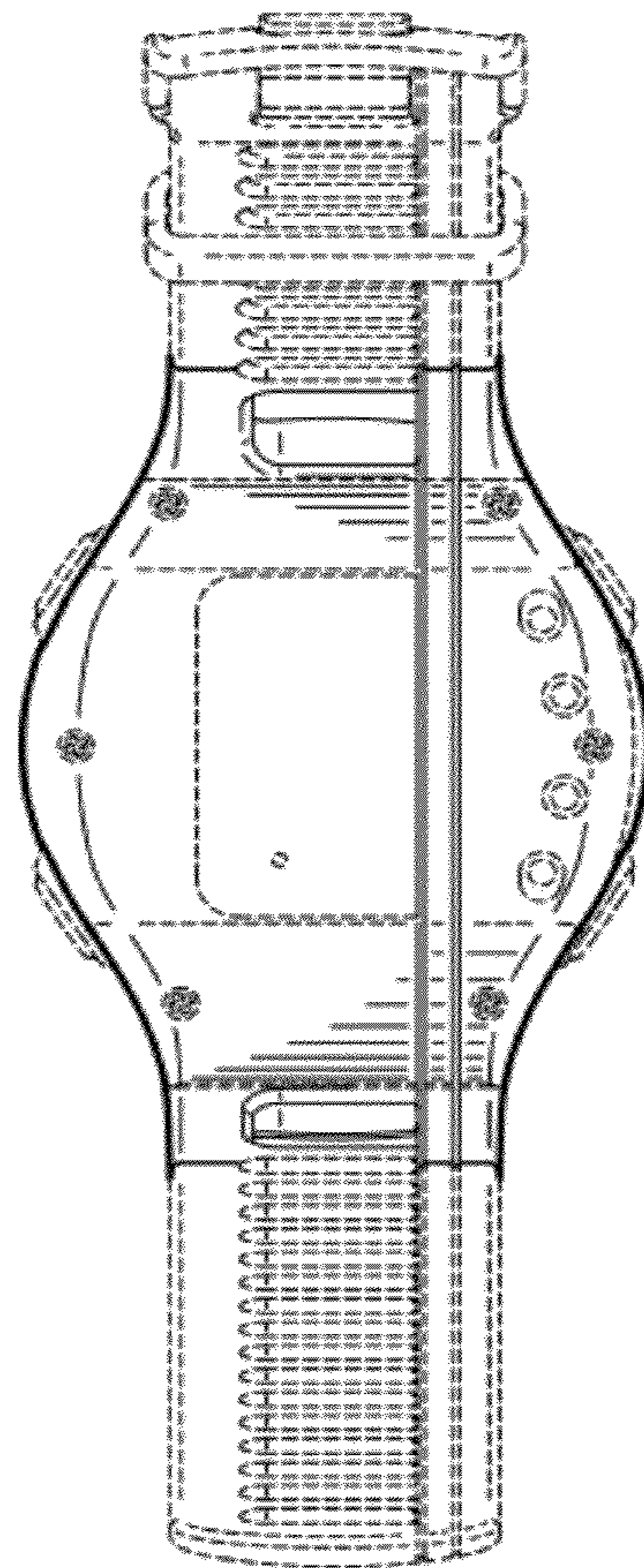


Fig. 4

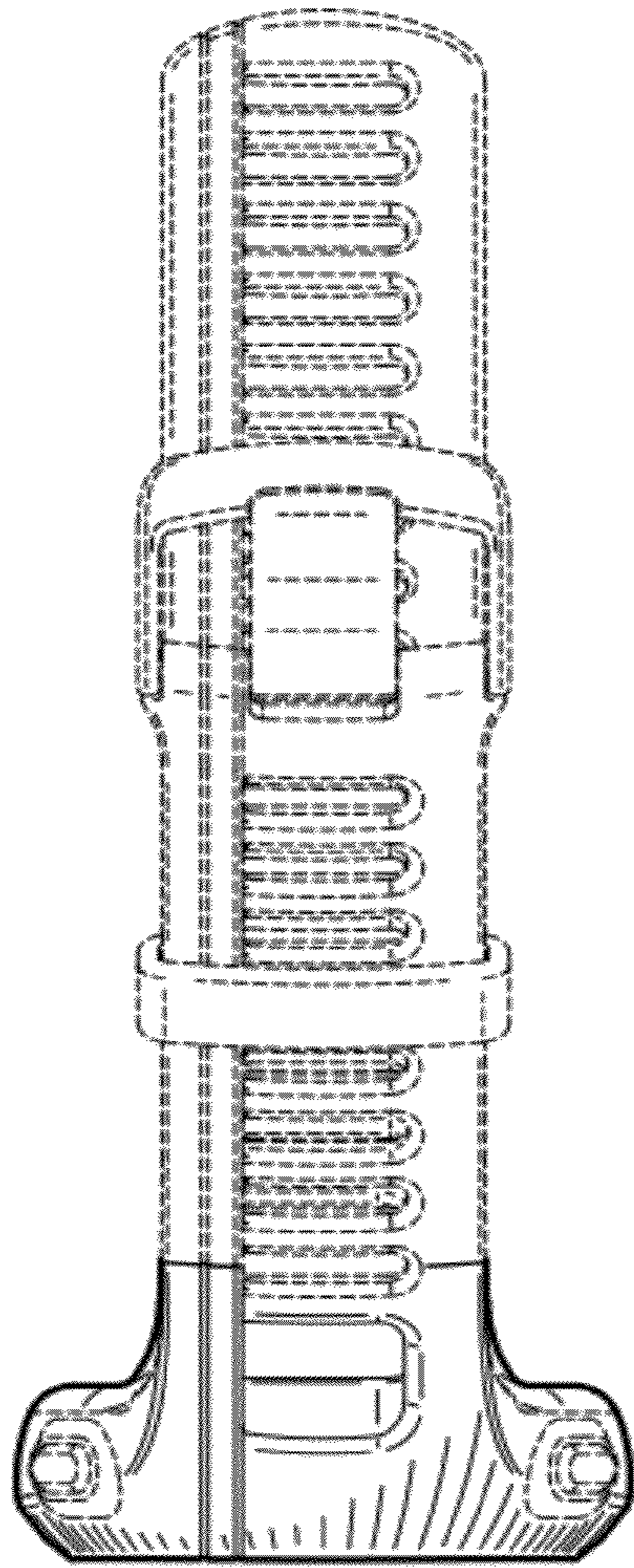


Fig. 5

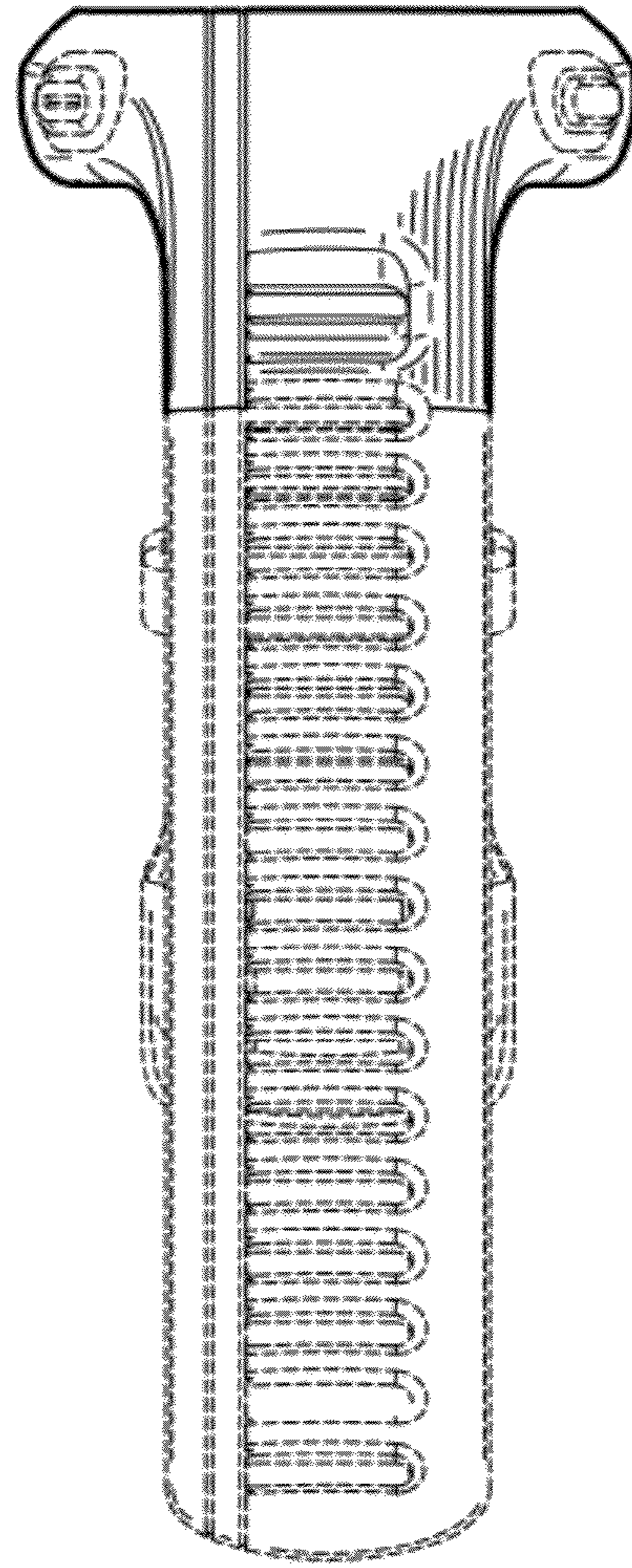


Fig. 6

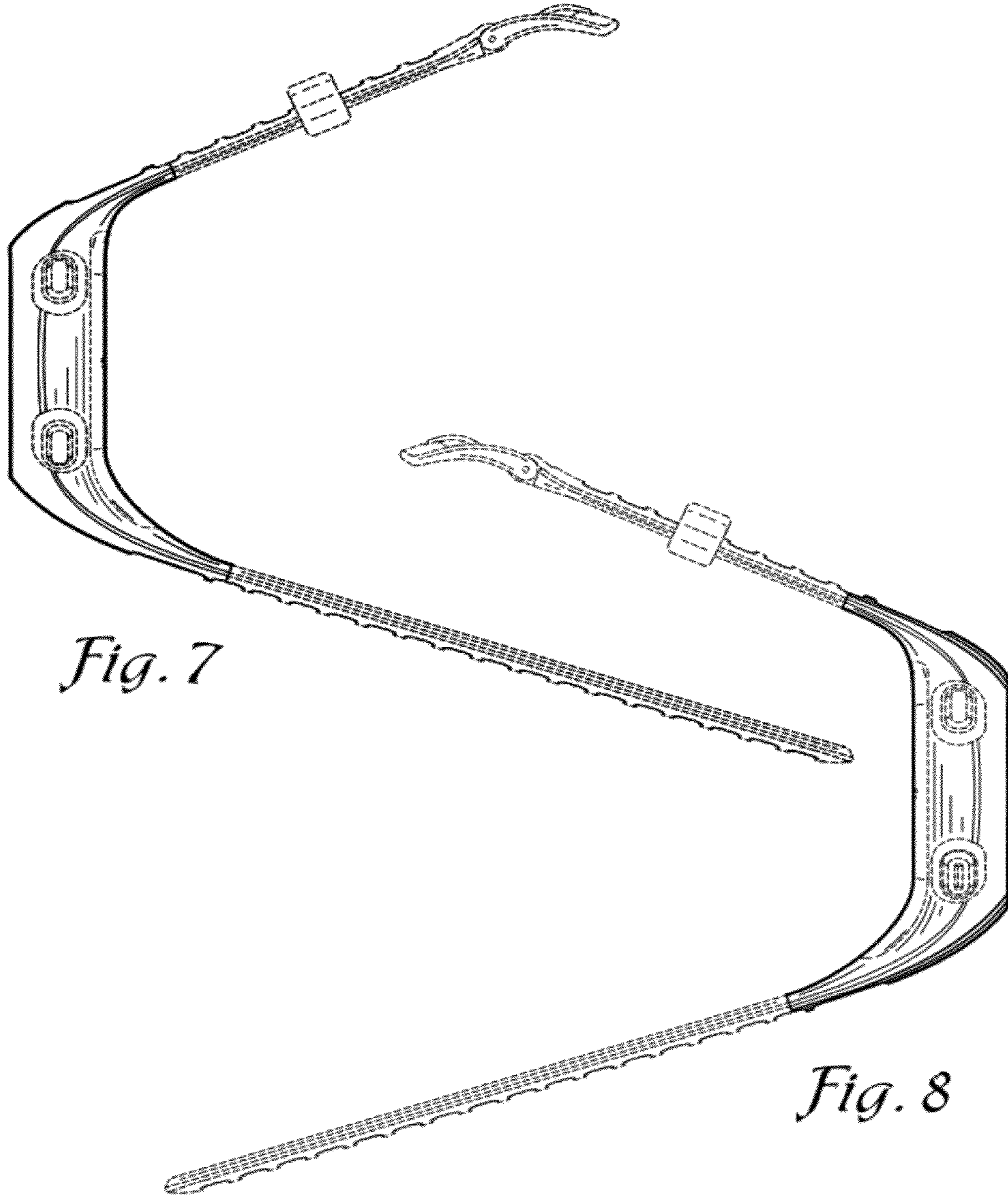


Fig. 7

Fig. 8