



US00D657686S

(12) **United States Design Patent**
Veuger

(10) **Patent No.:** **US D657,686 S**

(45) **Date of Patent:** **** Apr. 17, 2012**

(54) **VESSEL FOR STORING LIQUIDS AND POWDERS**

(75) Inventor: **Rikus Veuger**, Krommenie (NL)

(73) Assignee: **Transport Systems Solutions Ltd.**,
Hong Kong (HK)

(**) Term: **14 Years**

(21) Appl. No.: **29/381,543**

(22) Filed: **Dec. 20, 2010**

(30) **Foreign Application Priority Data**

Jul. 23, 2010 (CN) 2010 3 0259846

(51) **LOC (9) Cl.** **09-01**

(52) **U.S. Cl.** **D9/559; D9/570; D9/575**

(58) **Field of Classification Search** D9/500,
D9/502, 516, 538, 540, 541, 543, 559, 569,
D9/570, 572, 575; 215/381-385; 220/660,
220/669, 679, 752

See application file for complete search history.

(56) **References Cited**

U.S. PATENT DOCUMENTS

D318,422 S *	7/1991	Rumney	D9/559
D337,522 S *	7/1993	Kingsbury	D9/538
D391,492 S *	3/1998	Pang	D9/538
D464,887 S *	10/2002	Sherwell	D9/516
D467,507 S *	12/2002	Bryant et al.	D9/570
D470,058 S *	2/2003	Bryant et al.	D9/572

D479,992 S *	9/2003	Gehring et al.	D9/516
D542,136 S *	5/2007	Lilico	D9/520
D544,341 S *	6/2007	Stoddard	D9/541
D597,409 S *	8/2009	Ruybal	D9/529
D607,337 S *	1/2010	Zoppas	D9/541
D638,717 S *	5/2011	Schulman et al.	D9/542
D641,244 S *	7/2011	Bysick et al.	D9/502
D644,515 S *	9/2011	Tieleman et al.	D9/516
D650,690 S *	12/2011	Guglielmo et al.	D9/559

* cited by examiner

Primary Examiner — Stella Reid

Assistant Examiner — Keli L Hill

(74) *Attorney, Agent, or Firm* — Robert L. Epstein; Epstein Drangel LLP

(57) **CLAIM**

The ornamental design for vessel for storing liquids and powders, as shown and described.

DESCRIPTION

FIG. 1 is a perspective view showing the bottom and side of the design;

FIG. 2 is a perspective view showing the top and side of the design;

FIG. 3 is a rear elevation view thereof;

FIG. 4 is a bottom plan view thereof;

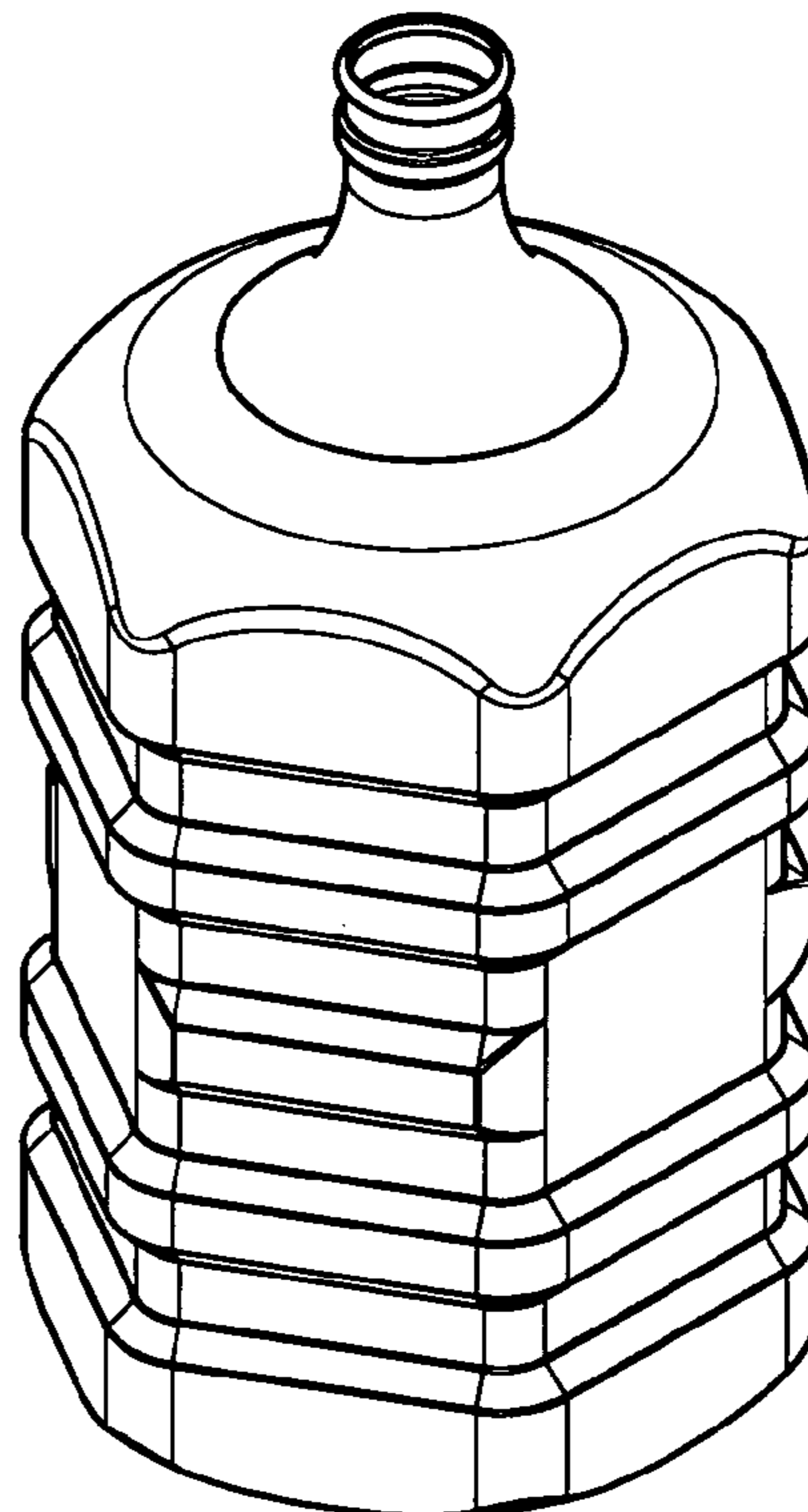
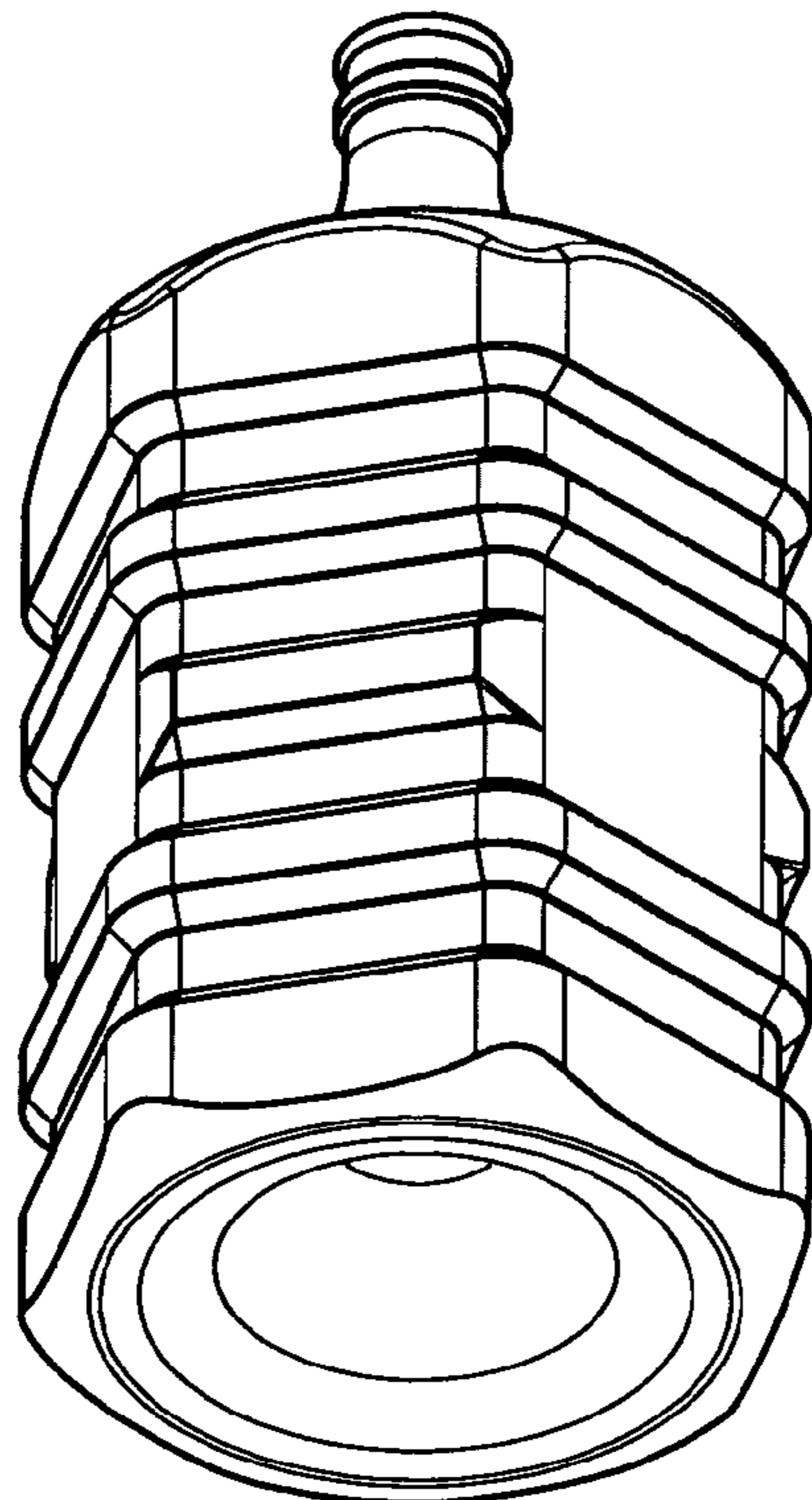
FIG. 5 is a front elevation view thereof;

FIG. 6 is a left-side elevation view thereof;

FIG. 7 is a right-side elevation view thereof; and,

FIG. 8 is a top plan view thereof.

1 Claim, 8 Drawing Sheets



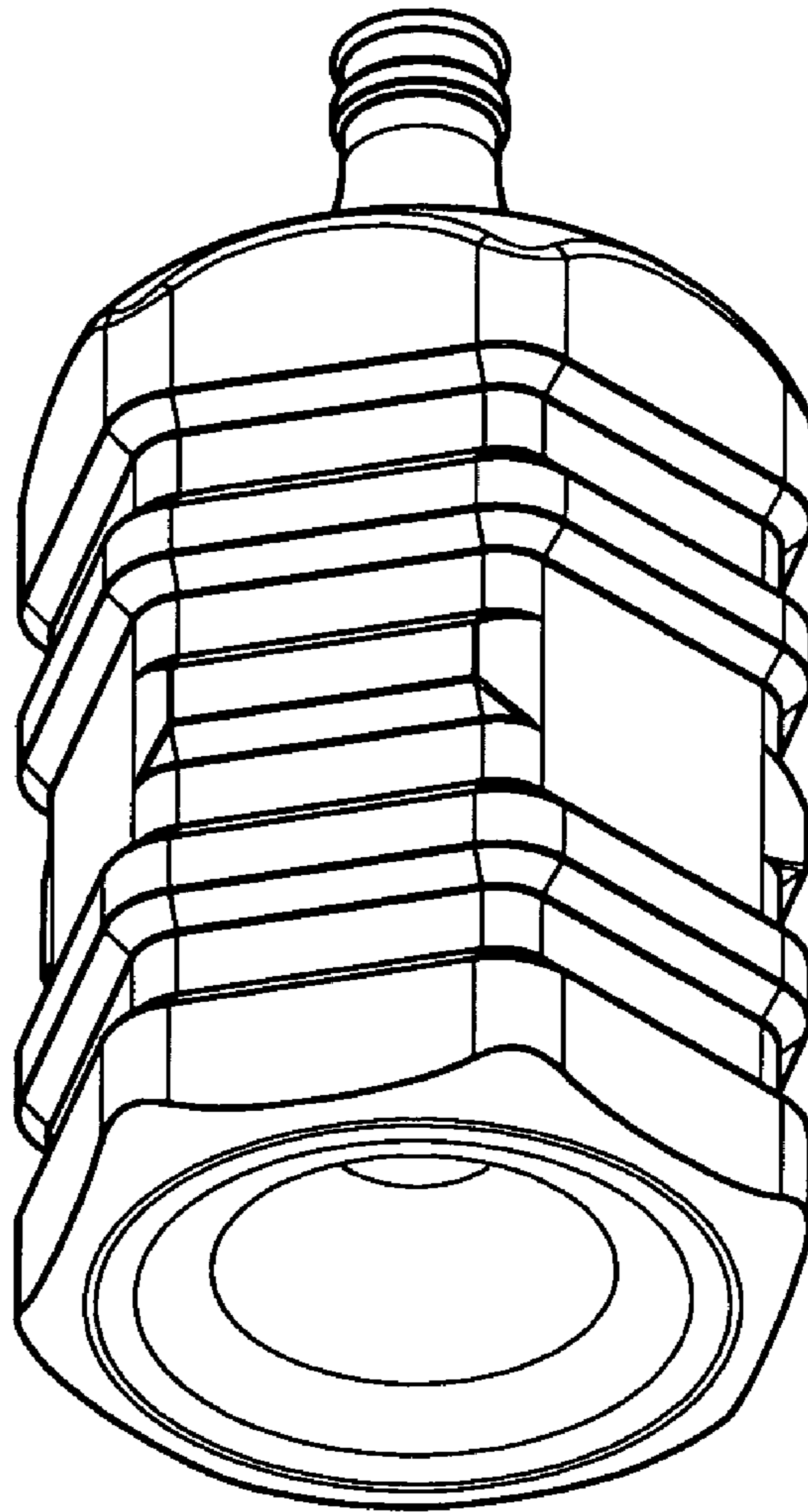


Fig.1

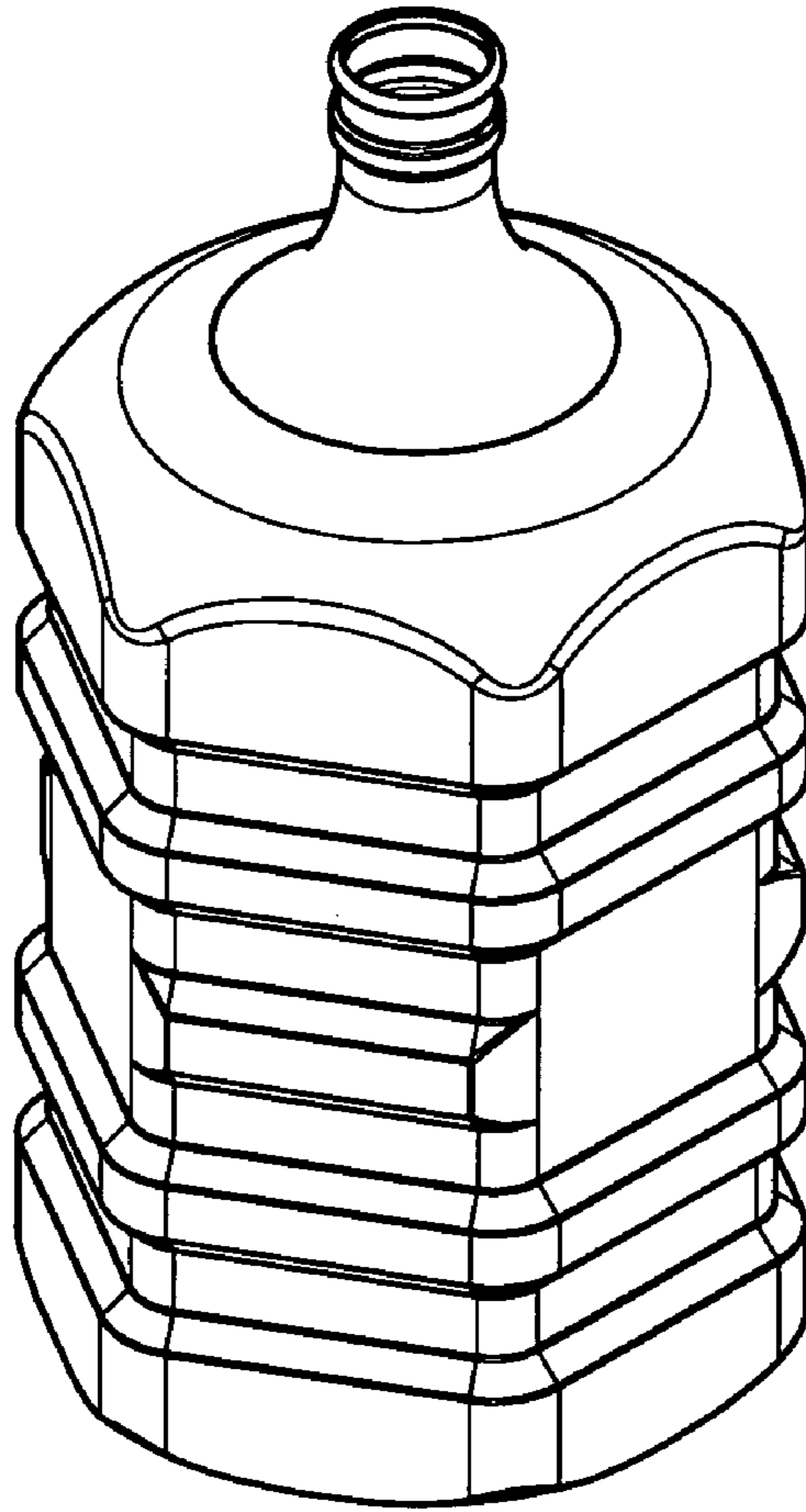


Fig.2

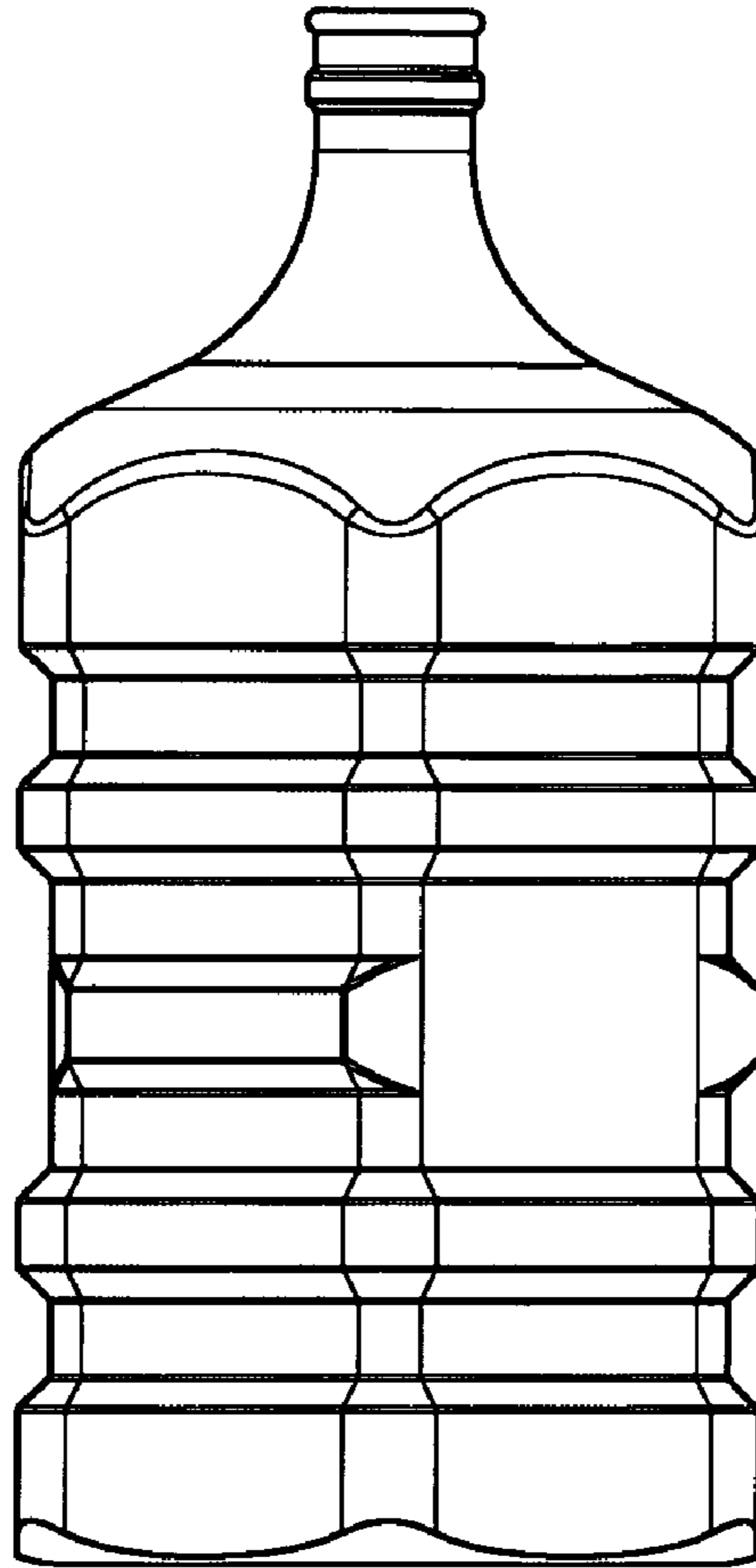


Fig.3

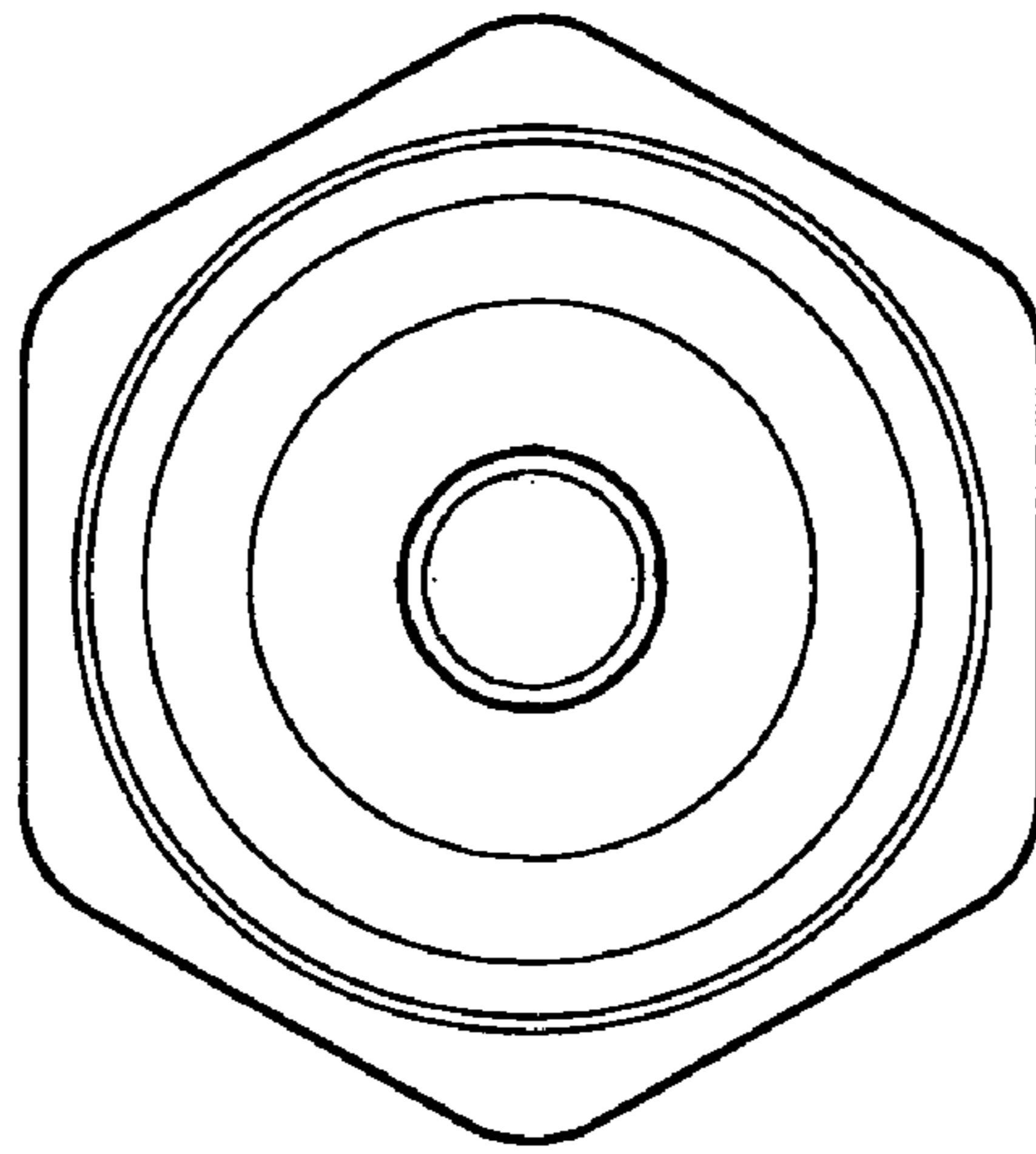


Fig.4

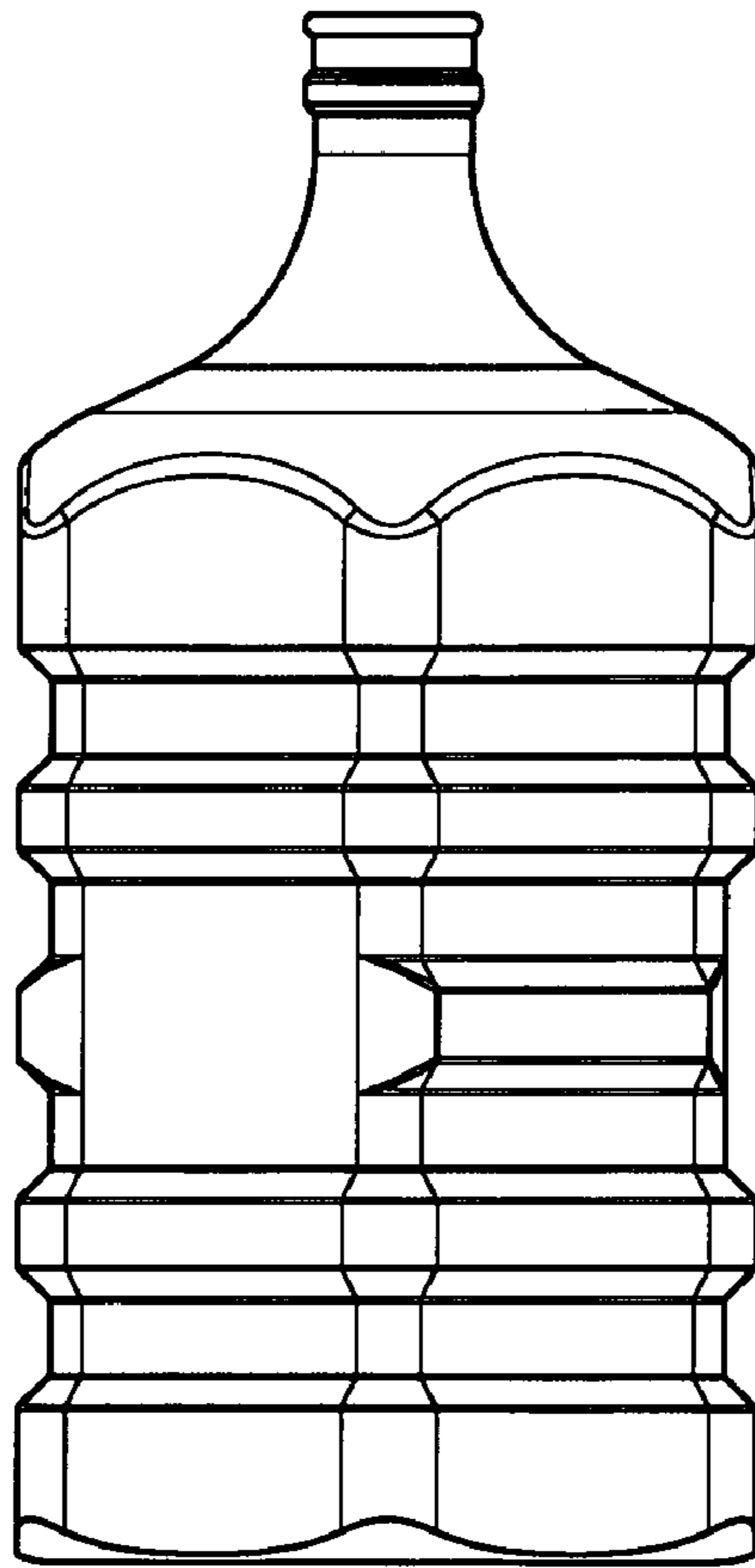


Fig.5

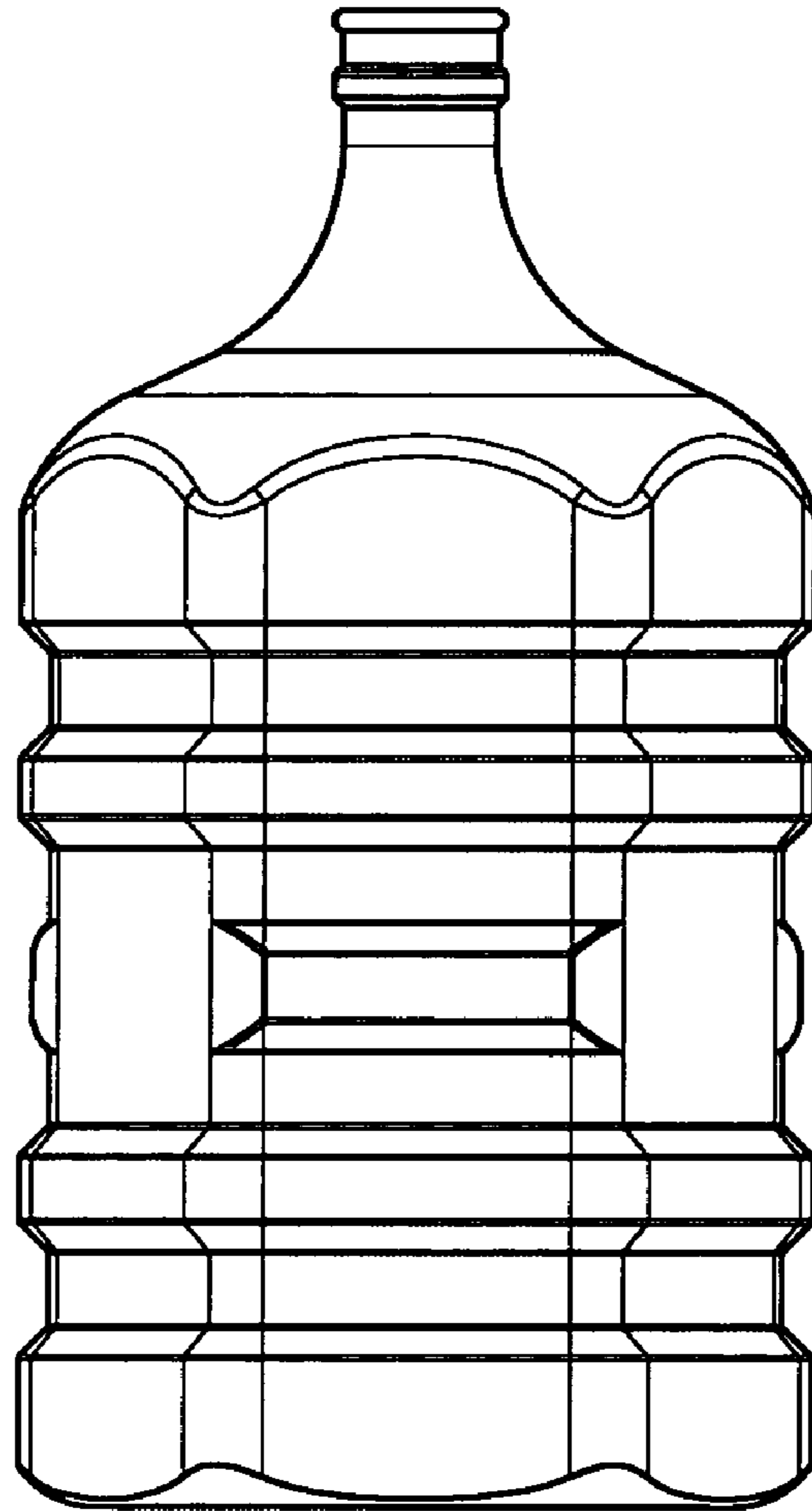


Fig.6

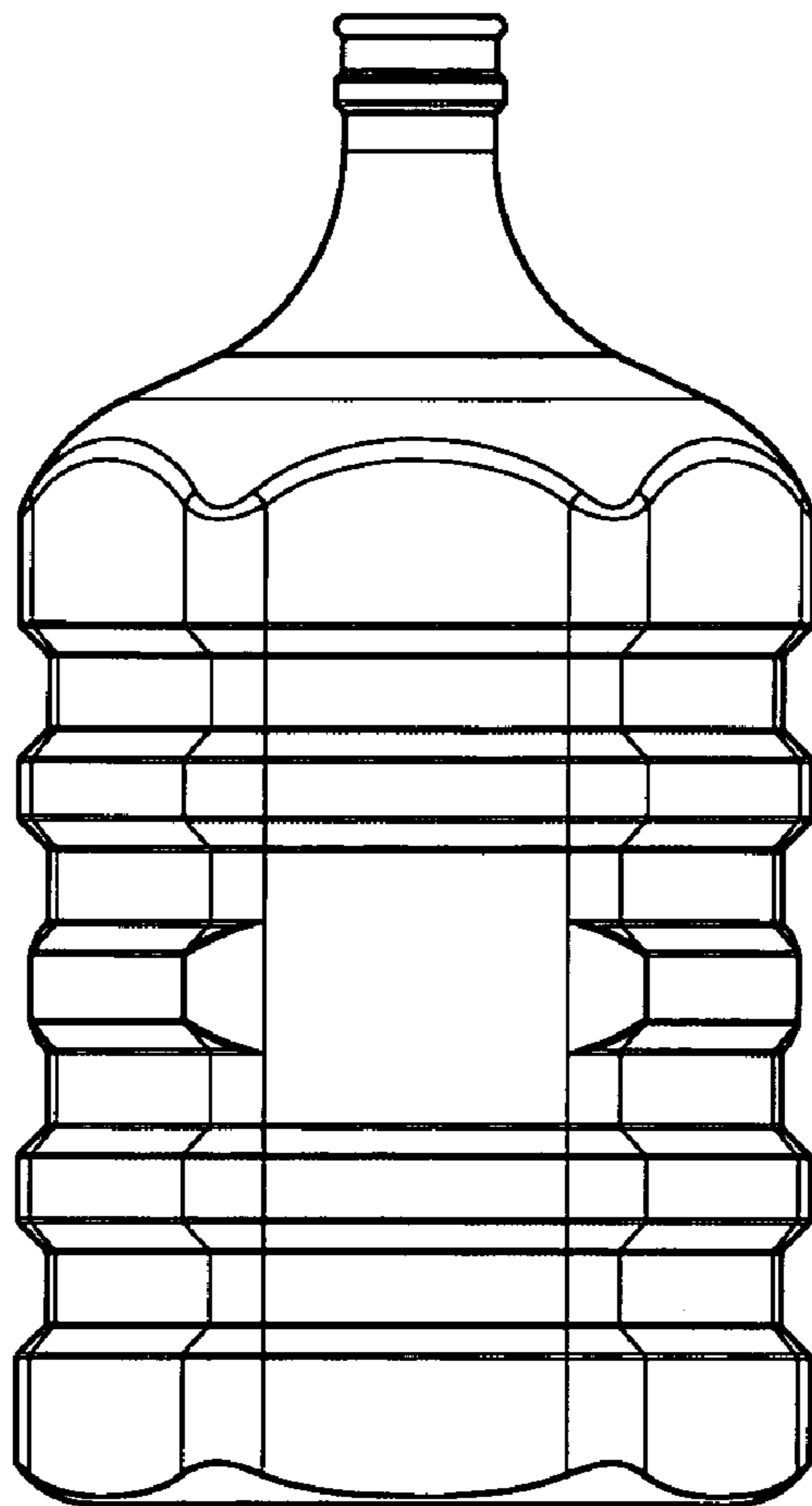


Fig.7

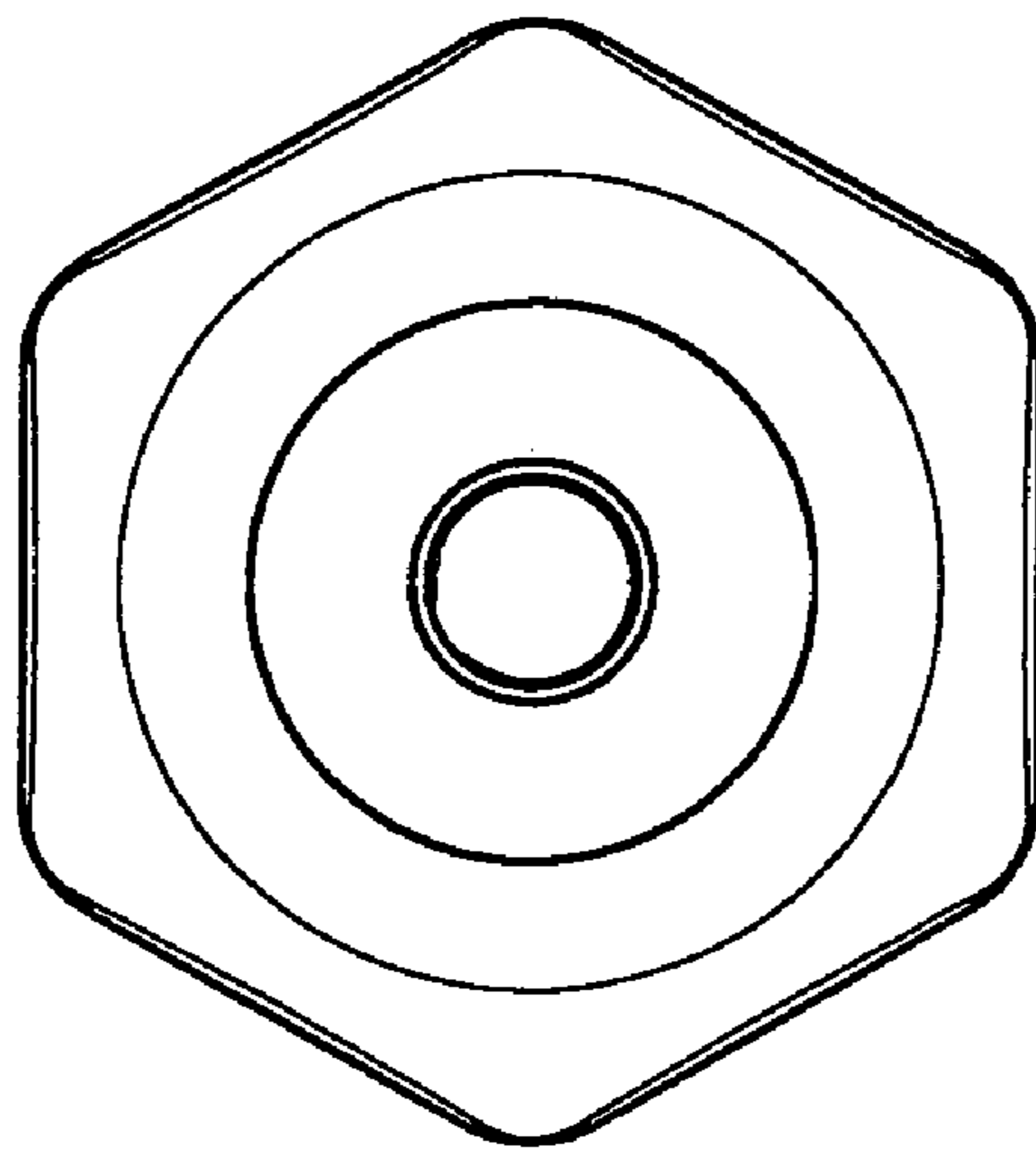


Fig.8