



US00D657683S

(12) **United States Design Patent**
Oommen et al.

(10) **Patent No.:** **US D657,683 S**
(45) **Date of Patent:** **** Apr. 17, 2012**

(54) **BOTTLE**

(75) Inventors: **Roy Oommen**, Bloomfield, NJ (US);
Florian Godet, Octeville-sur-mer (FR);
Fabien Druart, Octeville-sur-mer (FR)

(73) Assignee: **PepsiCo, Inc.**, Purchase, NY (US)

(**) Term: **14 Years**

(21) Appl. No.: **29/406,333**

(22) Filed: **Nov. 11, 2011**

Related U.S. Application Data

(62) Division of application No. 29/379,123, filed on Nov. 15, 2010.

(51) **LOC (9) Cl.** **09-01**

(52) **U.S. Cl.** **D9/538**; D9/520; D9/539; D9/552;
D9/556; D9/557; D9/571

(58) **Field of Classification Search** D9/502,
D9/516, 690-693, 537-541, 545-546, 549,
D9/552, 556-558, 565, 569-571, 574; 215/382-384;
220/660, 669, 675
See application file for complete search history.

(56) **References Cited**

U.S. PATENT DOCUMENTS

D67,221 S *	5/1925	Miller	D9/557
D67,464 S	6/1925	Johnson	
D105,416 S	7/1937	Sherman	
D111,212 S	9/1938	Meyer	
2,139,143 A	12/1938	Wiswell	
2,268,993 A	1/1942	Sanders	
2,886,084 A	5/1959	Davison	
3,143,429 A	8/1964	Swanson et al.	
3,155,281 A	11/1964	Stracey	
3,301,293 A	1/1967	Santelli	
3,390,821 A	7/1968	Mullan	
D213,037 S *	12/1968	Pettengill	D9/558

D214,157 S	5/1969	Pettengill	
3,587,937 A	6/1971	Childs	
D221,210 S	7/1971	Weiner	
D224,383 S	7/1972	Mascia et al.	
3,826,409 A	7/1974	Chilcoate	
3,871,541 A *	3/1975	Adomaitis	215/375
3,873,003 A	3/1975	Seiferth et al.	
3,946,903 A	3/1976	Parker	
D267,233 S	12/1982	Aoki	
4,368,825 A	1/1983	Motill	
4,456,134 A	6/1984	Cooper	
4,538,439 A	9/1985	Frei	
D292,555 S	11/1987	Chesterfield	
5,024,339 A	6/1991	Riemer	
5,101,990 A	4/1992	Krishnakumar et al.	
5,240,130 A	8/1993	Osbakk	
D387,284 S	12/1997	Briggs et al.	
D391,493 S	3/1998	Panella et al.	
5,735,421 A *	4/1998	Deemer et al.	215/382
5,740,934 A	4/1998	Brady	

(Continued)

FOREIGN PATENT DOCUMENTS

EM 000936547-0001 3/2008

Primary Examiner — Carol P Rademaker

(74) *Attorney, Agent, or Firm* — Banner & Witcoff, Ltd.

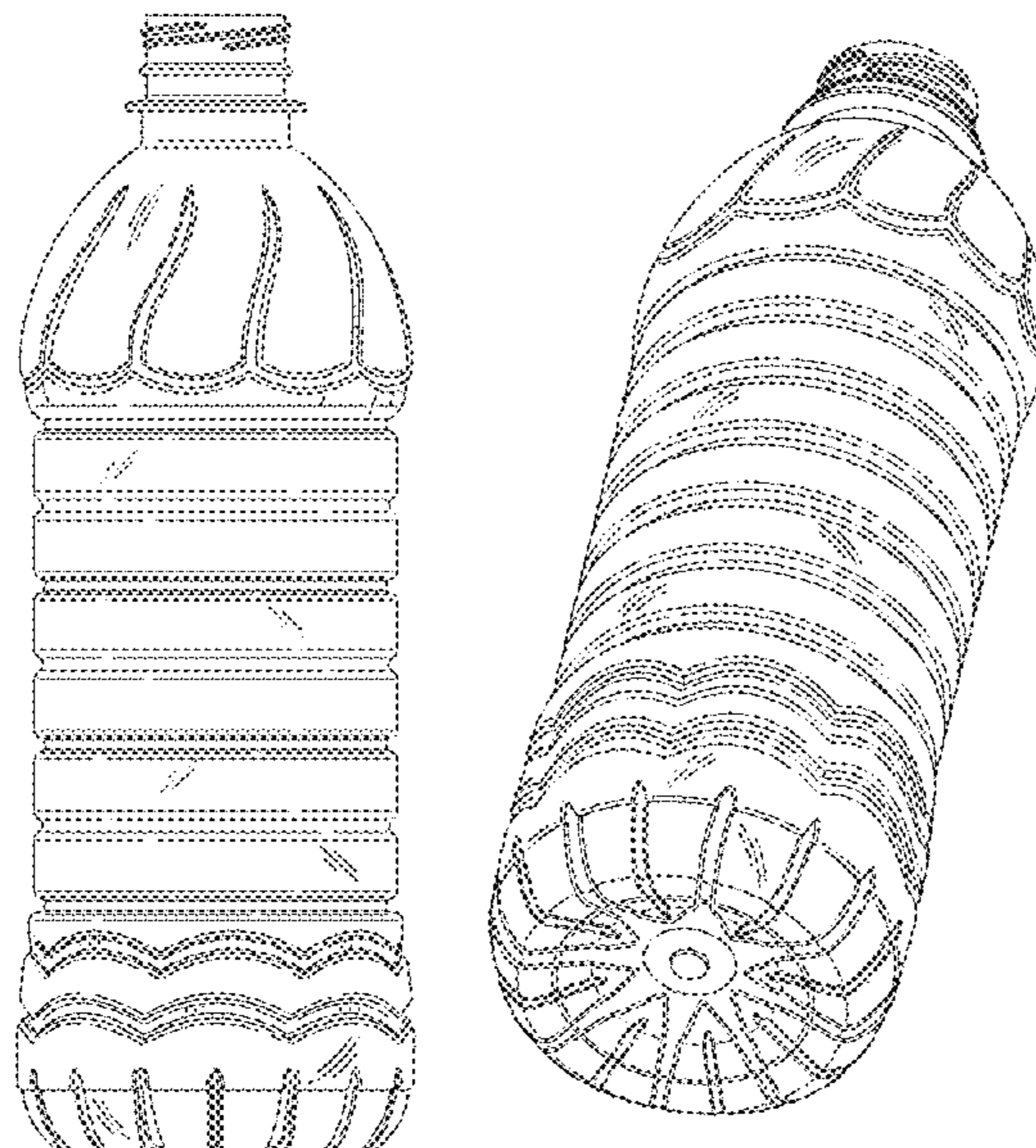
(57) **CLAIM**

The ornamental design for a bottle, as shown and described.

DESCRIPTION

FIG. 1 is a top, front, right perspective view of a bottle showing our new design;
FIG. 2 is a front elevational view thereof;
FIG. 3 is a right side elevational view thereof;
FIG. 4 is a rear elevational view thereof;
FIG. 5 is a left side elevational view thereof;
FIG. 6 is a top plan view thereof;
FIG. 7 is a bottom plan view thereof; and,
FIG. 8 is a bottom, front, right perspective view thereof.

1 Claim, 7 Drawing Sheets



US D657,683 S

Page 2

U.S. PATENT DOCUMENTS

D404,651 S	1/1999	Warner et al.		D561,042 S	2/2008	Darr	
D406,065 S	2/1999	Cheng		D565,419 S	4/2008	Darr	
D409,493 S	5/1999	Waggaman		D566,571 S	4/2008	Darr	
D412,441 S	8/1999	Cheng et al.		D566,572 S	4/2008	Darr	
D414,112 S	9/1999	Waggaman et al.		D576,050 S	9/2008	Darr	
5,988,417 A *	11/1999	Cheng et al.	215/383	D576,051 S	9/2008	Darr	
D425,424 S *	5/2000	Cheng et al.	D9/520	D576,496 S	9/2008	Darr	
D429,151 S	8/2000	Cheng et al.		D576,497 S	9/2008	Ozer	
D429,156 S *	8/2000	Williams et al.	D9/520	D579,337 S	10/2008	Druart	
6,149,024 A *	11/2000	Deemer et al.	215/382	D582,775 S	12/2008	Pedmo et al.	
D435,219 S *	12/2000	Williams et al.	D9/538	7,469,796 B2 *	12/2008	Kamineni et al.	215/382
D443,519 S	6/2001	Warner et al.		D586,224 S *	2/2009	Darr et al.	D9/556 X
D449,533 S *	10/2001	Helps et al.	D9/502	D587,588 S	3/2009	Fraser et al.	
D463,292 S	9/2002	Del Bianco		D601,901 S *	10/2009	Lepoitevin	D9/571 X
D480,650 S *	10/2003	Moore et al.	D9/540	D601,902 S	10/2009	Bourne	
D506,139 S	6/2005	Zboch et al.		D601,903 S *	10/2009	Lepoitevin	D9/538
D507,971 S	8/2005	Harris et al.		D601,904 S	10/2009	Lepoitevin	
6,929,139 B2	8/2005	Darr		D601,906 S	10/2009	Leruste	
6,971,530 B2	12/2005	Darr		D602,367 S *	10/2009	Lepoitevin	D9/538
D522,874 S	6/2006	Livingston et al.		D603,711 S *	11/2009	Lepoitevin	D9/552
D523,341 S	6/2006	Livingston et al.		D607,733 S	1/2010	Lepoitevin	
D527,267 S	8/2006	Zboch et al.		D618,552 S	6/2010	Dabrowski	
D528,422 S *	9/2006	Darr et al.	D9/516	D619,011 S *	7/2010	Zoppas	D9/541
D545,684 S *	7/2007	DeMaso et al.	D9/557	D619,899 S *	7/2010	Mero et al.	D9/552
D546,687 S	7/2007	Boukobza		D622,597 S	8/2010	Dabrowski	
D547,186 S	7/2007	Boukobza		D623,067 S *	9/2010	Lovelace et al.	D9/538
D552,477 S	10/2007	Hermel		D623,950 S *	9/2010	Eugui et al.	D9/516
D556,044 S *	11/2007	Hirata	D99/552 X	D626,850 S	11/2010	Zoppas	
D556,581 S *	12/2007	Yamada	D9/520	D628,074 S *	11/2010	Mero et al.	D9/520
D557,138 S	12/2007	Boukobza		D635,461 S	4/2011	Inoi et al.	
D558,581 S	1/2008	Lockman et al.		D637,495 S	5/2011	Gill et al.	
D560,502 S	1/2008	Darr		2007/0257003 A1	11/2007	Colloud	
D560,506 S	1/2008	Lepoitevin		2010/0230378 A1	9/2010	Colloud	

* cited by examiner

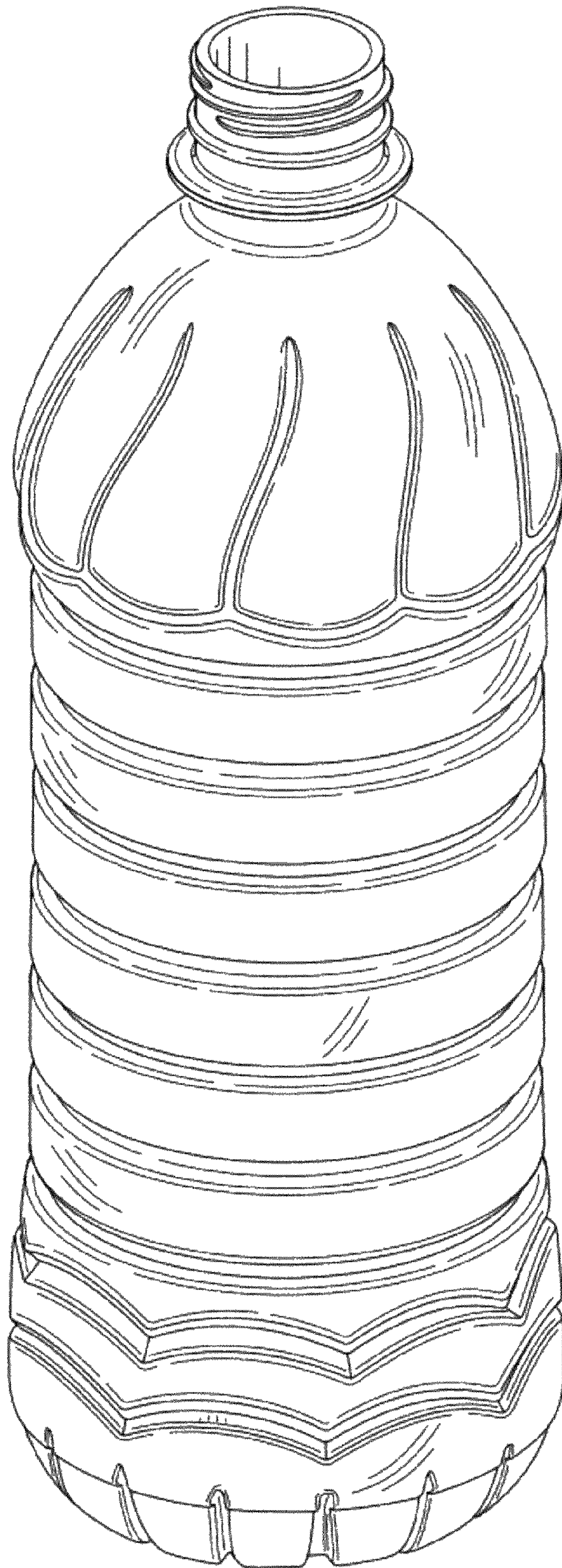


FIG. 1

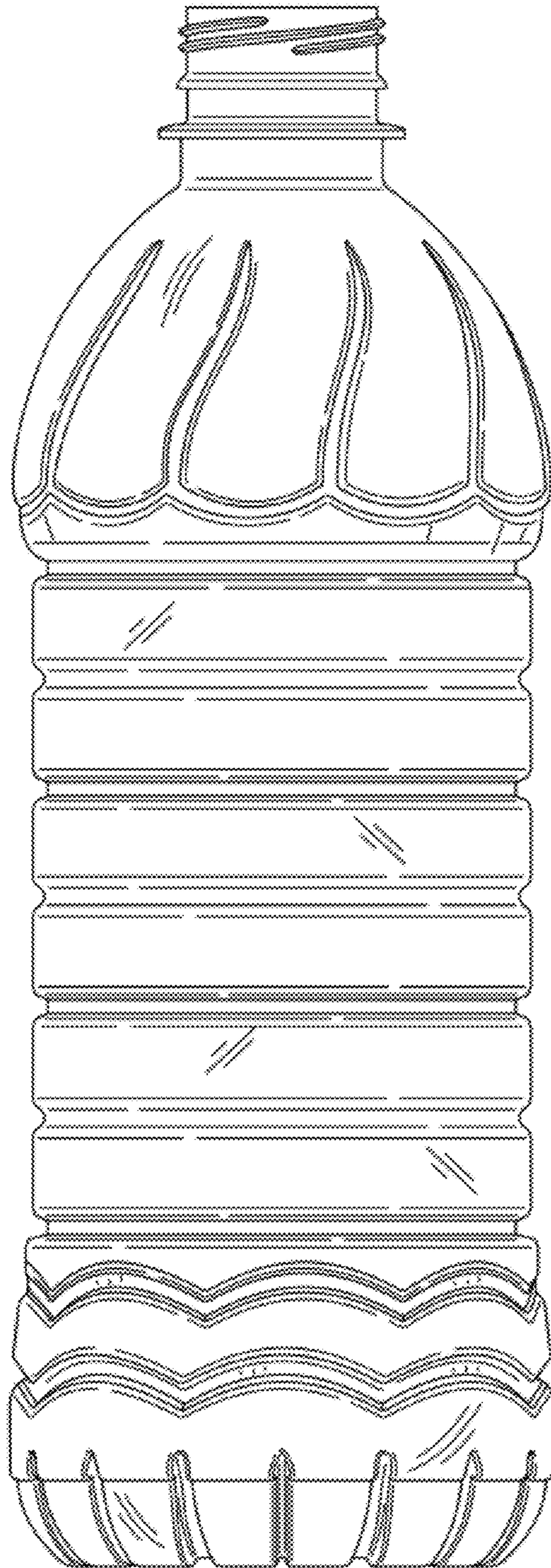


FIG. 2

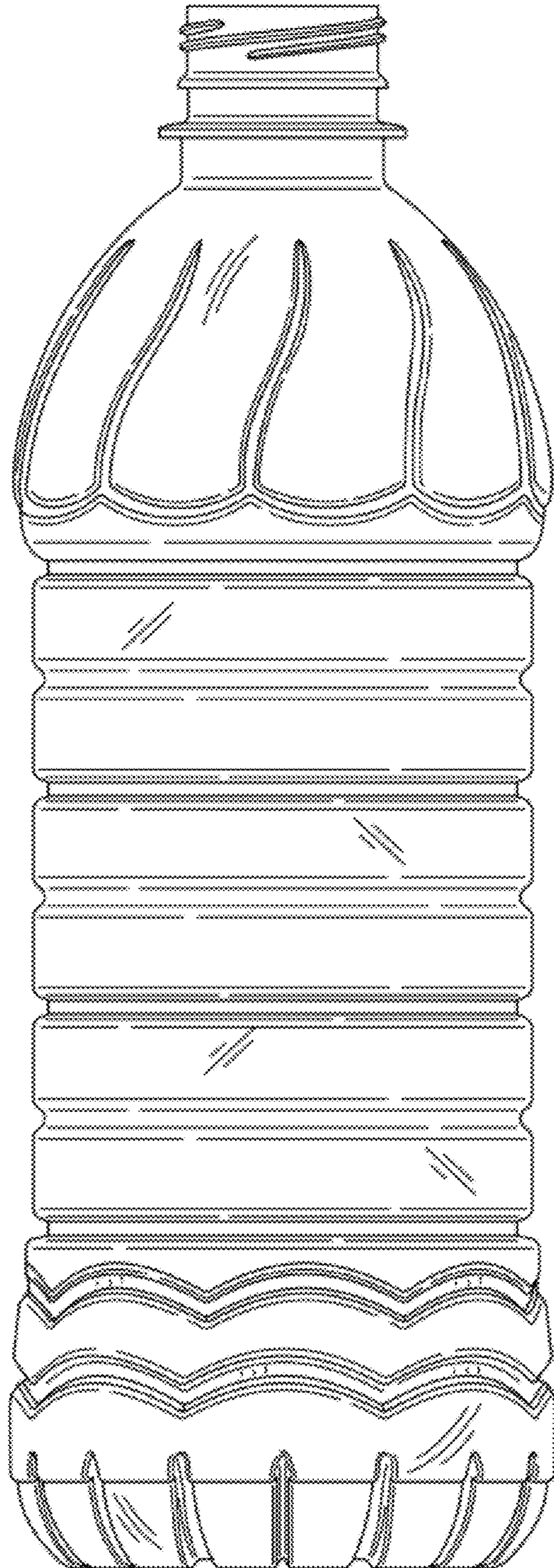


FIG. 3

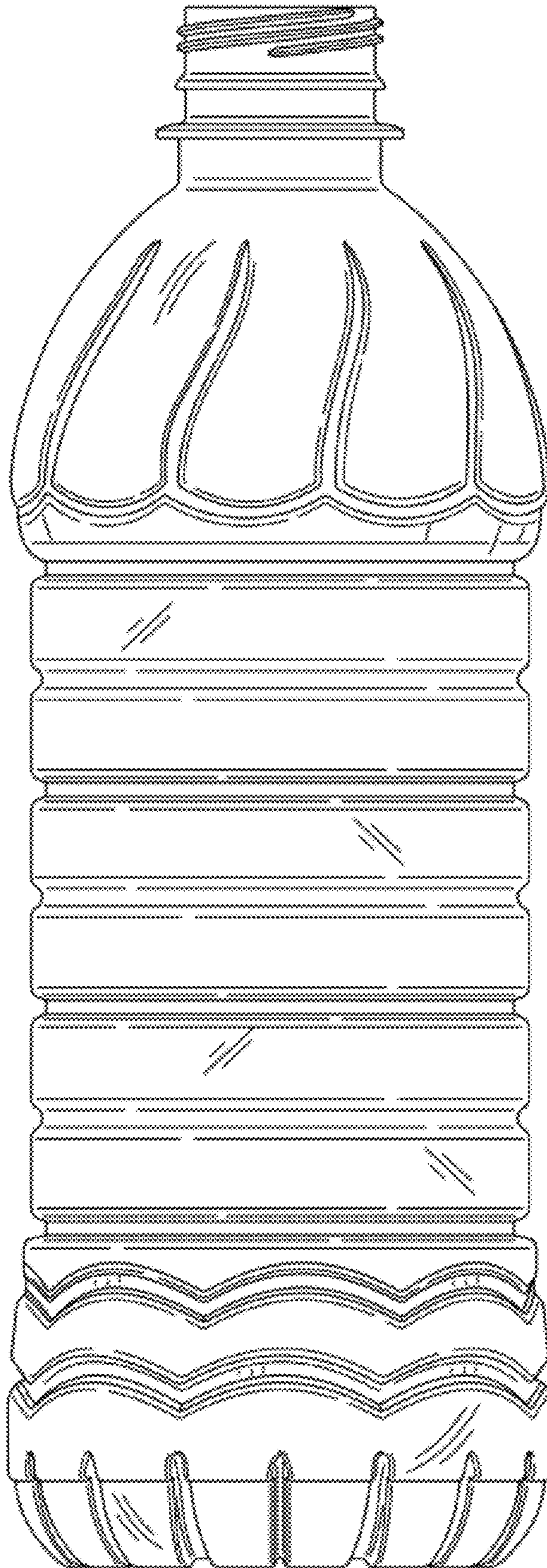


FIG. 4

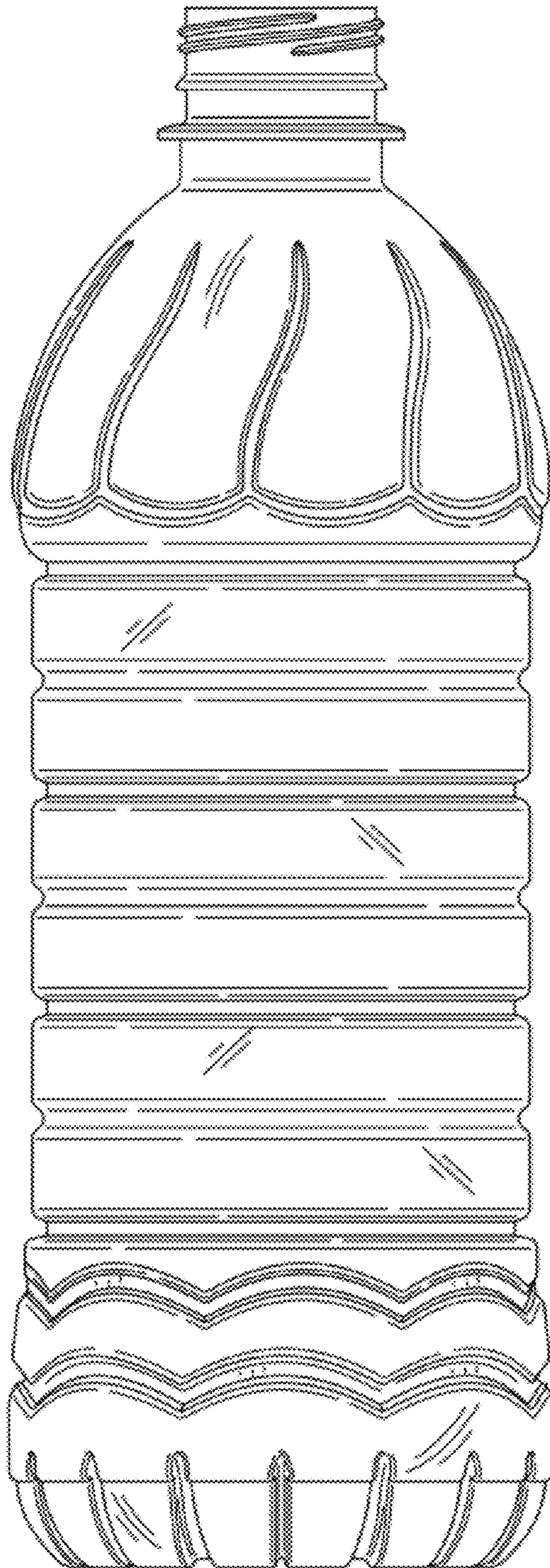


FIG. 5

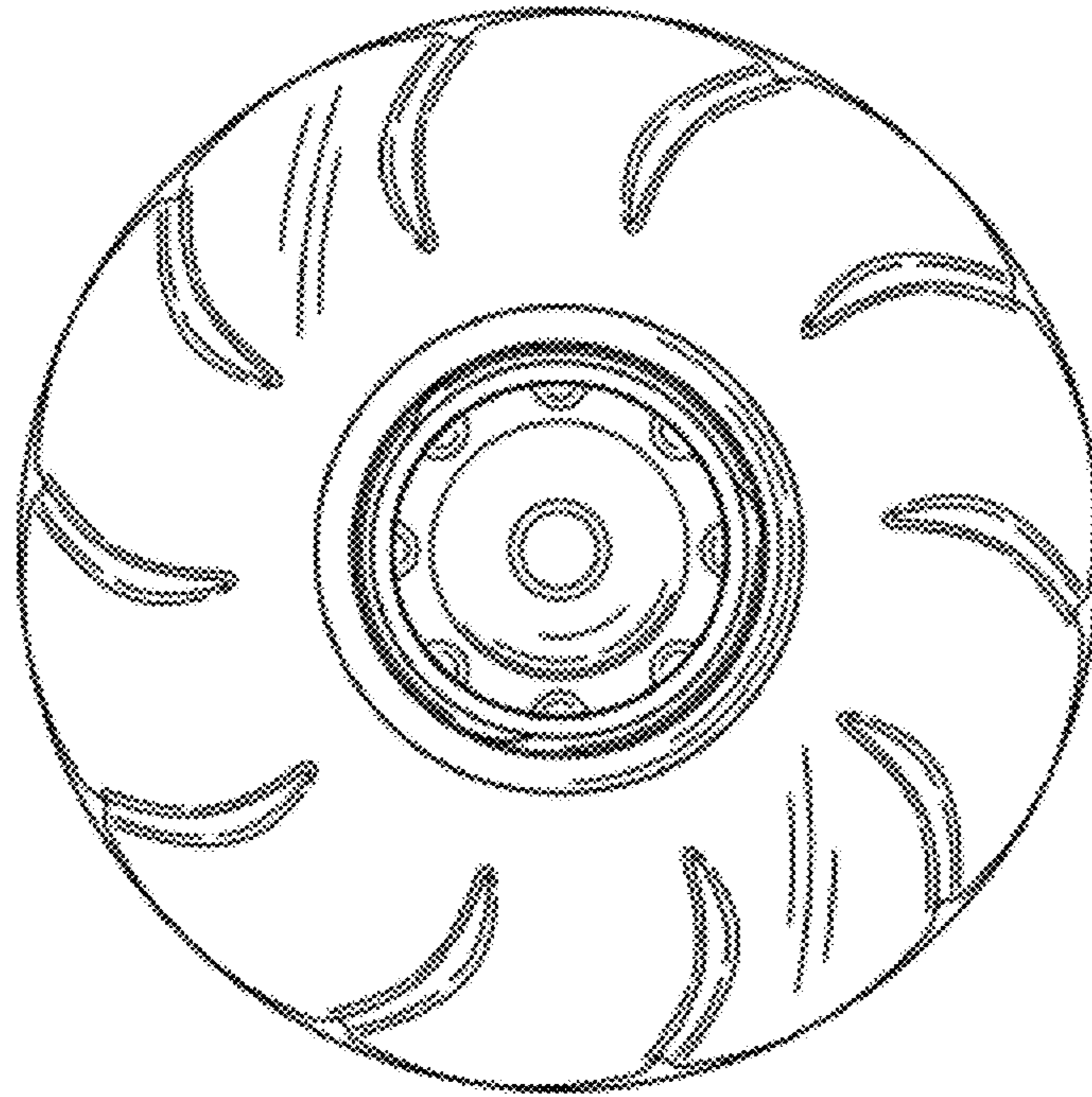


FIG. 6

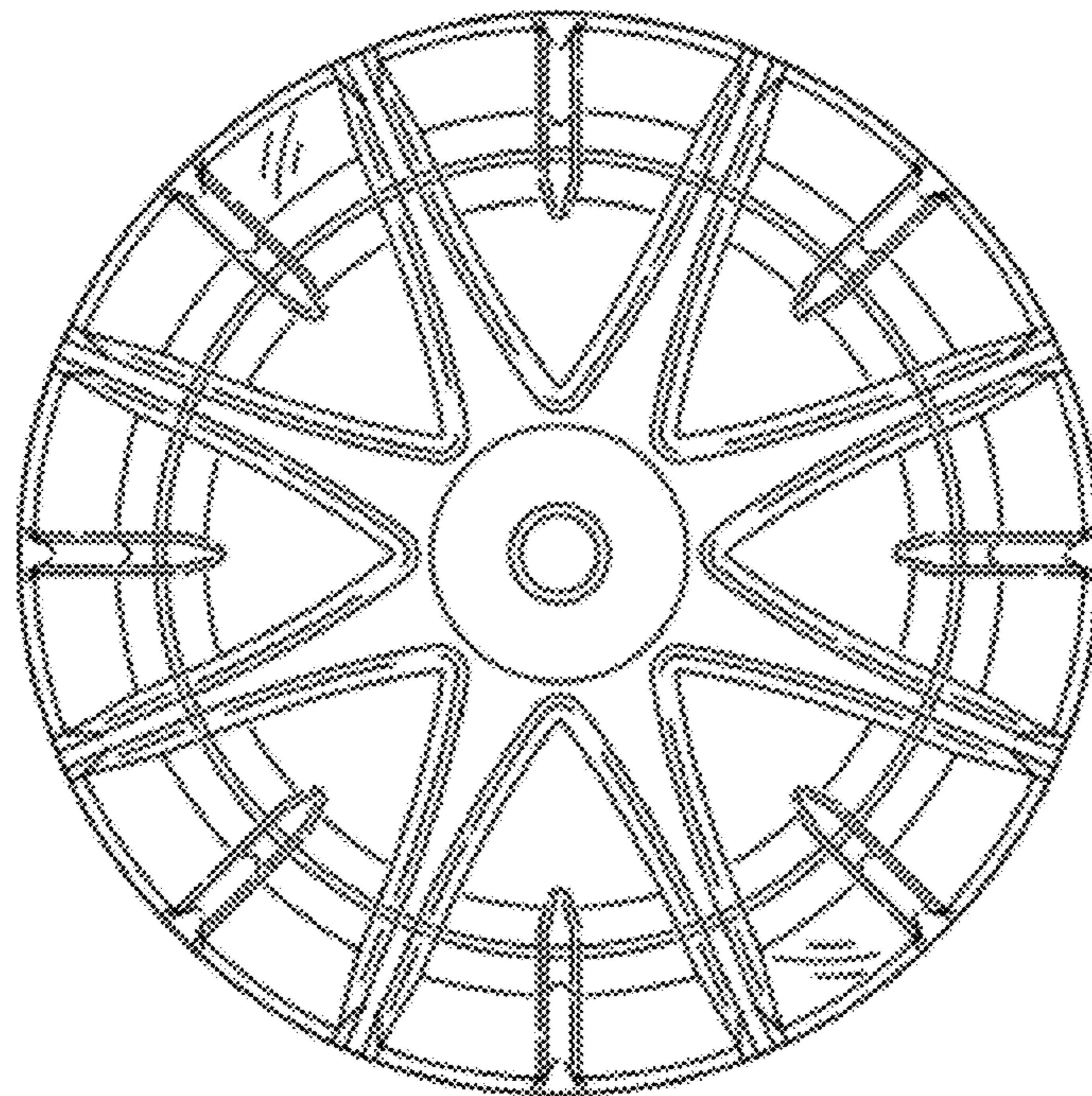


FIG. 7

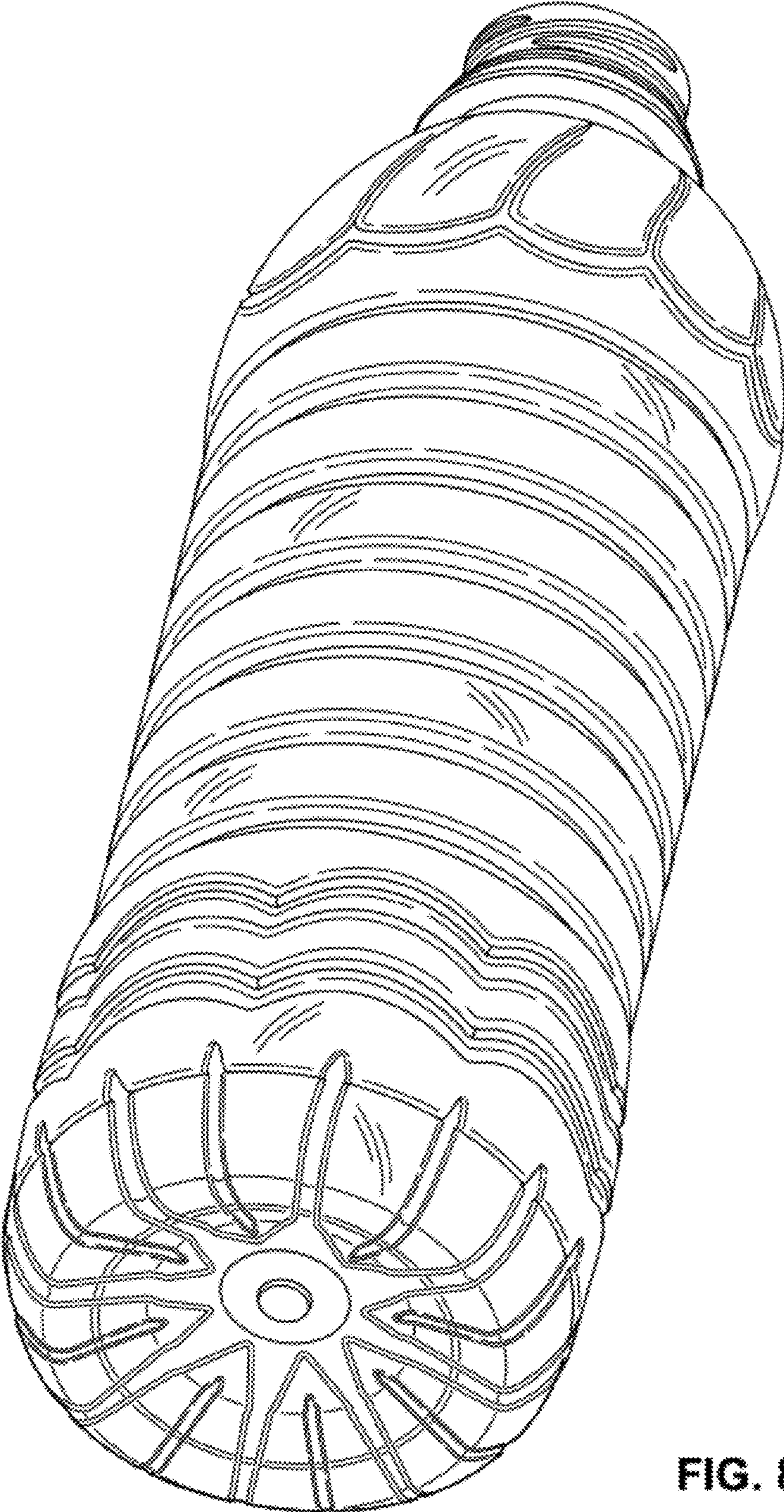


FIG. 8