



US00D657682S

(12) **United States Design Patent**
de Cleir et al.

(10) **Patent No.:** **US D657,682 S**
(45) **Date of Patent:** **** Apr. 17, 2012**

(54) **CONTAINER**

(75) Inventors: **Piaras Valdis de Cleir**, Tarrytown, NY (US); **Shelley R. Markoulis**, Wycoff, NJ (US); **Robin Paige**, Tarrytown, NY (US); **Akina Kurihara**, Brooklyn, NY (US); **Paul F. Diehl**, Brooklyn, NY (US)

(73) Assignee: **Kraft Foods Global Brands LLC**, Northfield, IL (US)

(**) Term: **14 Years**

(21) Appl. No.: **29/398,065**

(22) Filed: **Jul. 26, 2011**

Related U.S. Application Data

(62) Division of application No. 29/390,986, filed on May 2, 2011, which is a division of application No. 29/368,181, filed on Aug. 19, 2010, now Pat. No. Des. 638,713.

(51) **LOC (9) Cl.** **09-01**

(52) **U.S. Cl.** **D9/531; D9/543**

(58) **Field of Classification Search** D9/434, D9/435, 516, 575, 443, 444, 529-531, 537, D9/538, 540, 541, 543, 549, 552, 559, 561, D9/565, 571, 572; 215/381-385; 220/660, 220/662, 669

See application file for complete search history.

(56) **References Cited**

U.S. PATENT DOCUMENTS

D169,642 S * 5/1953 Clair D9/526
D282,441 S * 2/1986 Shiokawa D9/523

D316,369 S * 4/1991 Thompson D9/716
D349,057 S * 7/1994 Farce D9/523
D349,058 S * 7/1994 Farce D9/523
D382,803 S * 8/1997 Gavin D9/526
D435,098 S * 12/2000 Kemmis et al. D23/366
D481,636 S * 11/2003 Camacho D9/522
D492,588 S * 7/2004 Herrmann D7/682
D554,515 S * 11/2007 Toh D9/535
D588,459 S * 3/2009 Davis et al. D9/521
D588,460 S * 3/2009 Davis et al. D9/521
D588,462 S * 3/2009 Davis et al. D9/521
D592,957 S * 5/2009 Davis et al. D9/521
D595,138 S * 6/2009 Ames et al. D9/531
D608,645 S * 1/2010 Handy et al. D9/526

* cited by examiner

Primary Examiner — Stella Reid

Assistant Examiner — Keil L Hill

(74) *Attorney, Agent, or Firm* — Fitch, Even, Tabin & Flannery LLP

(57) **CLAIM**

The ornamental design for a container, as shown and described.

DESCRIPTION

FIG. 1 is a perspective view of a container showing our new design;
FIG. 2 is a right side elevational view thereof;
FIG. 3 is a front elevational view thereof;
FIG. 4 is a left side elevational view thereof;
FIG. 5 is a top plan view thereof;
FIG. 6 is a bottom plan view thereof; and,
FIG. 7 is a rear elevational view thereof.

1 Claim, 3 Drawing Sheets

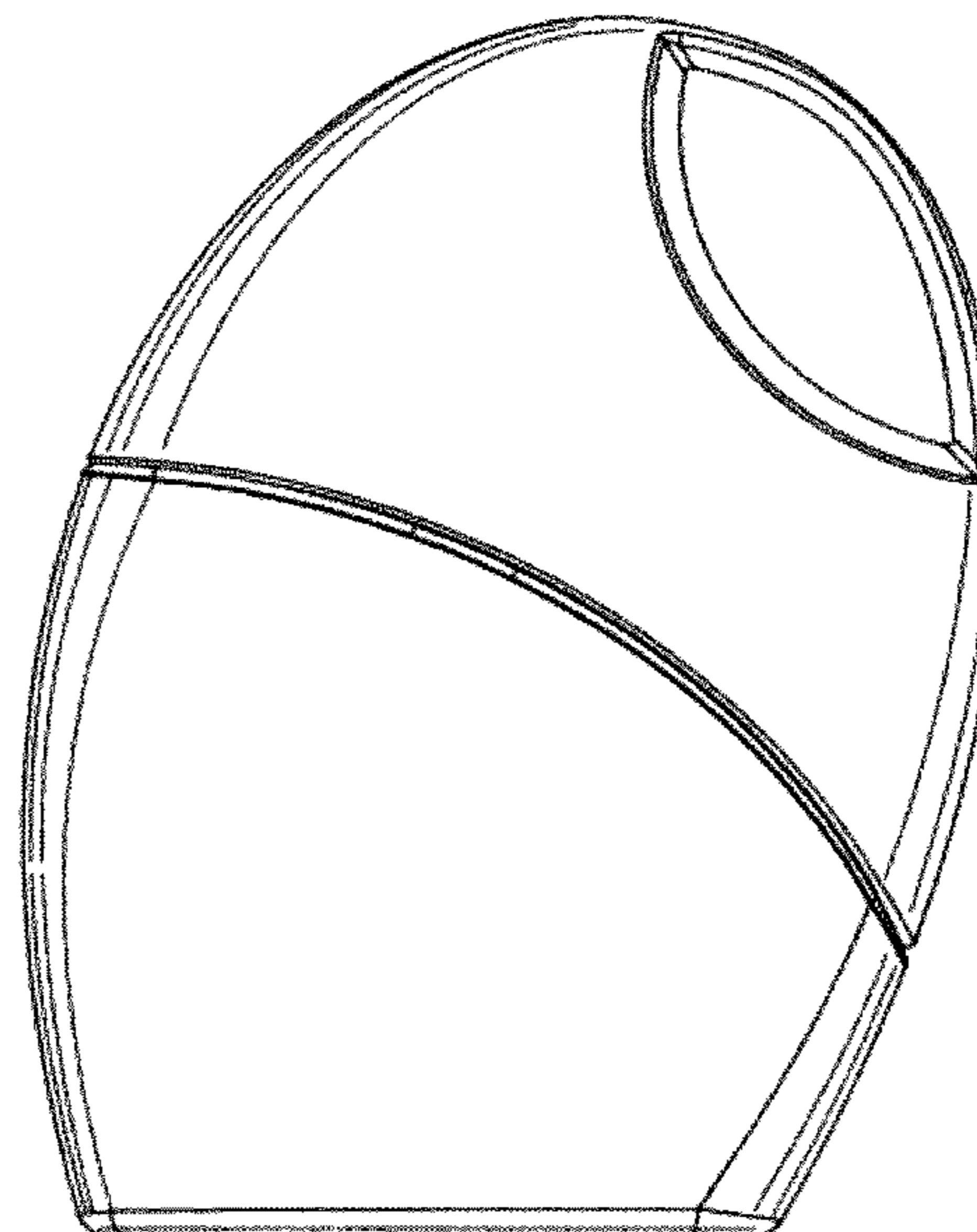
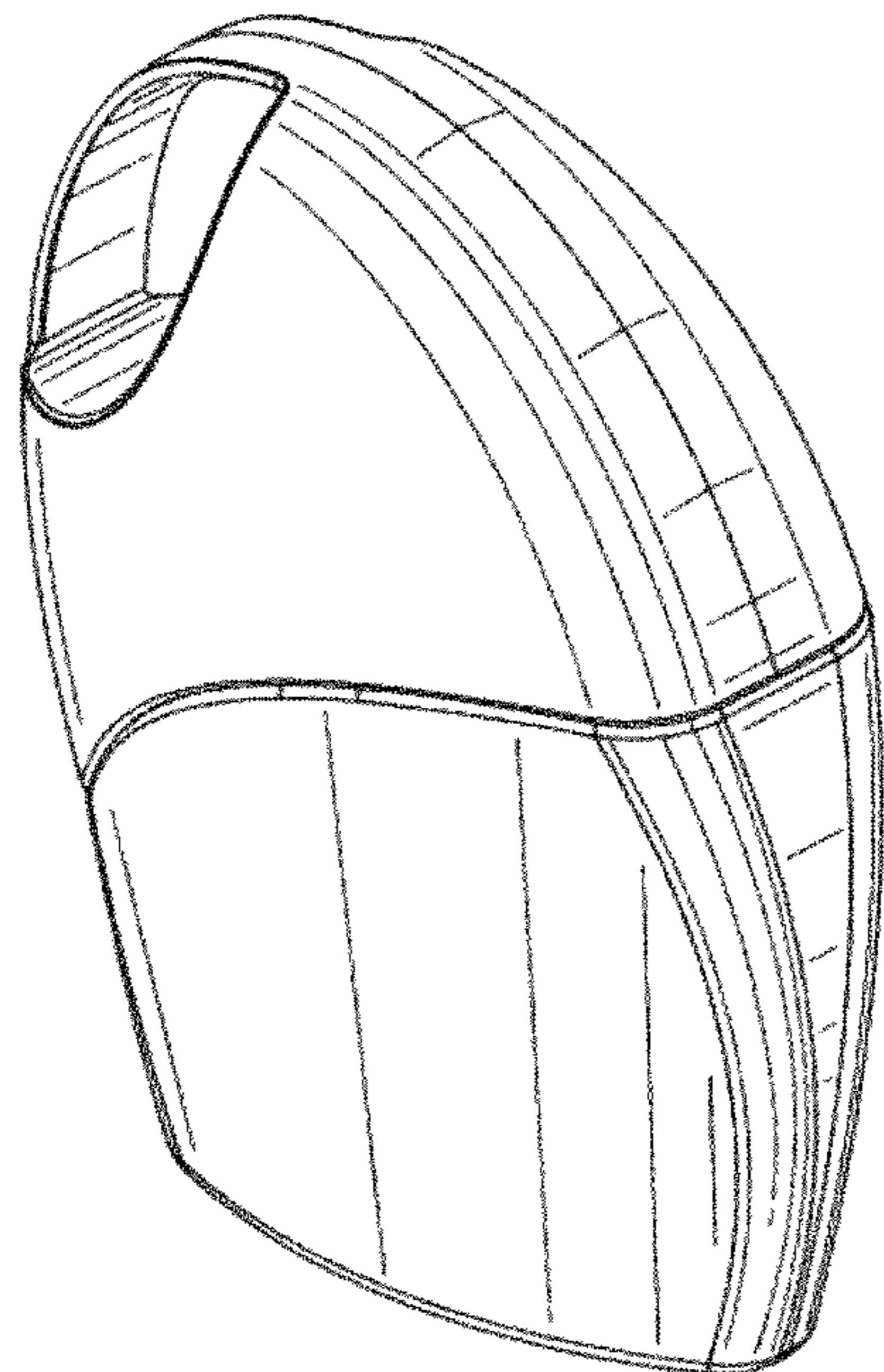


FIG. 1

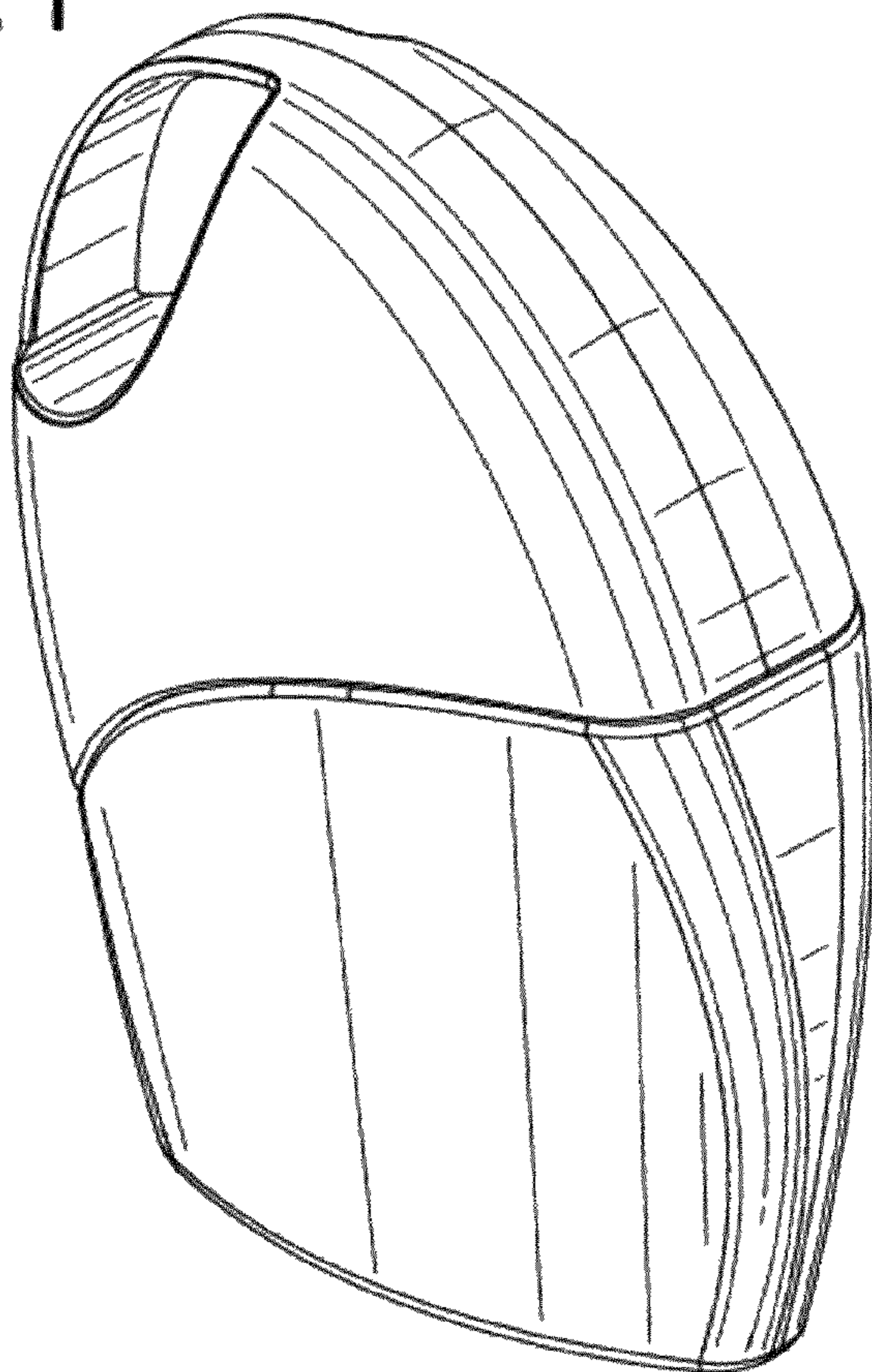


FIG. 2

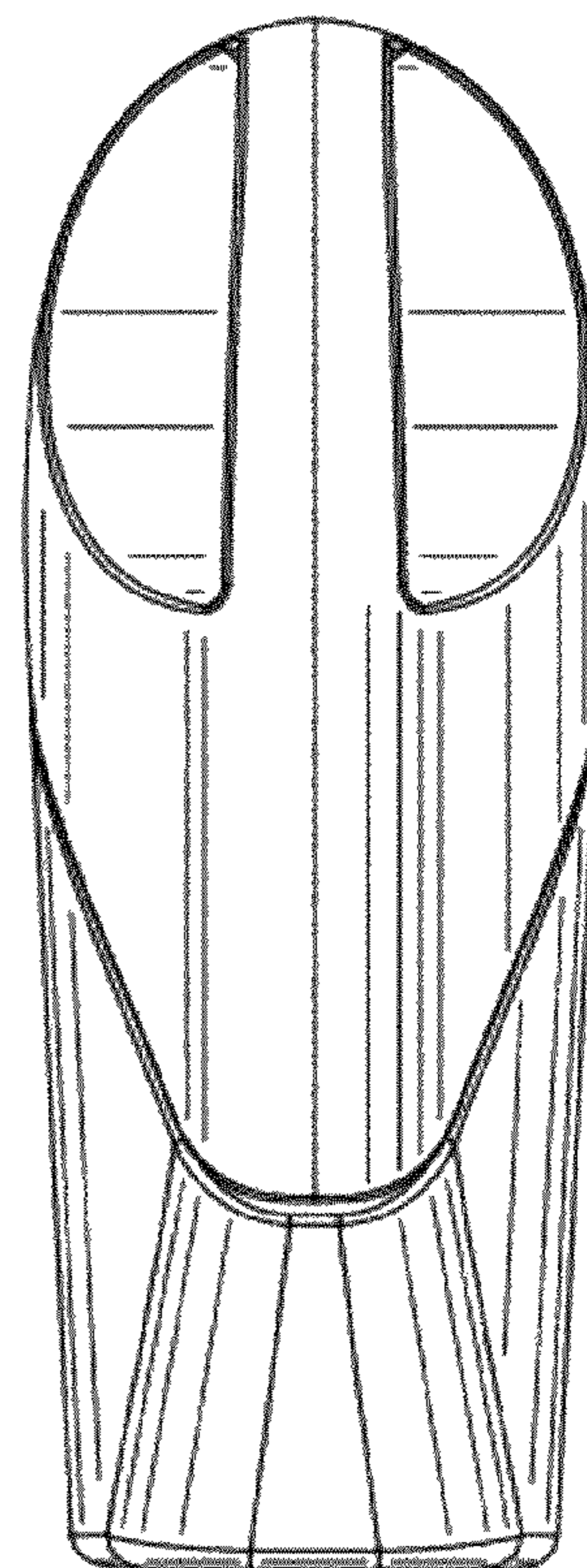


FIG. 3

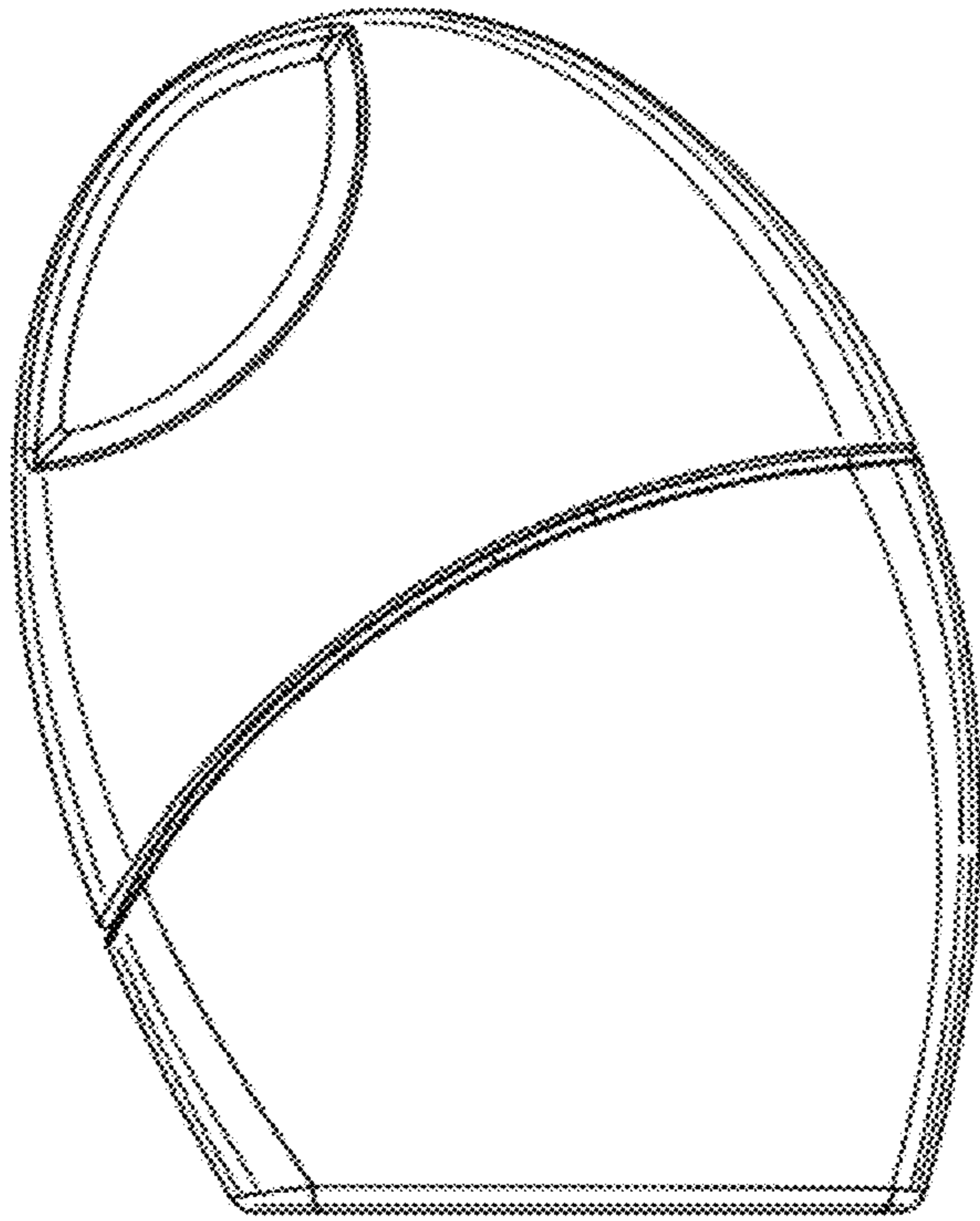


FIG. 4

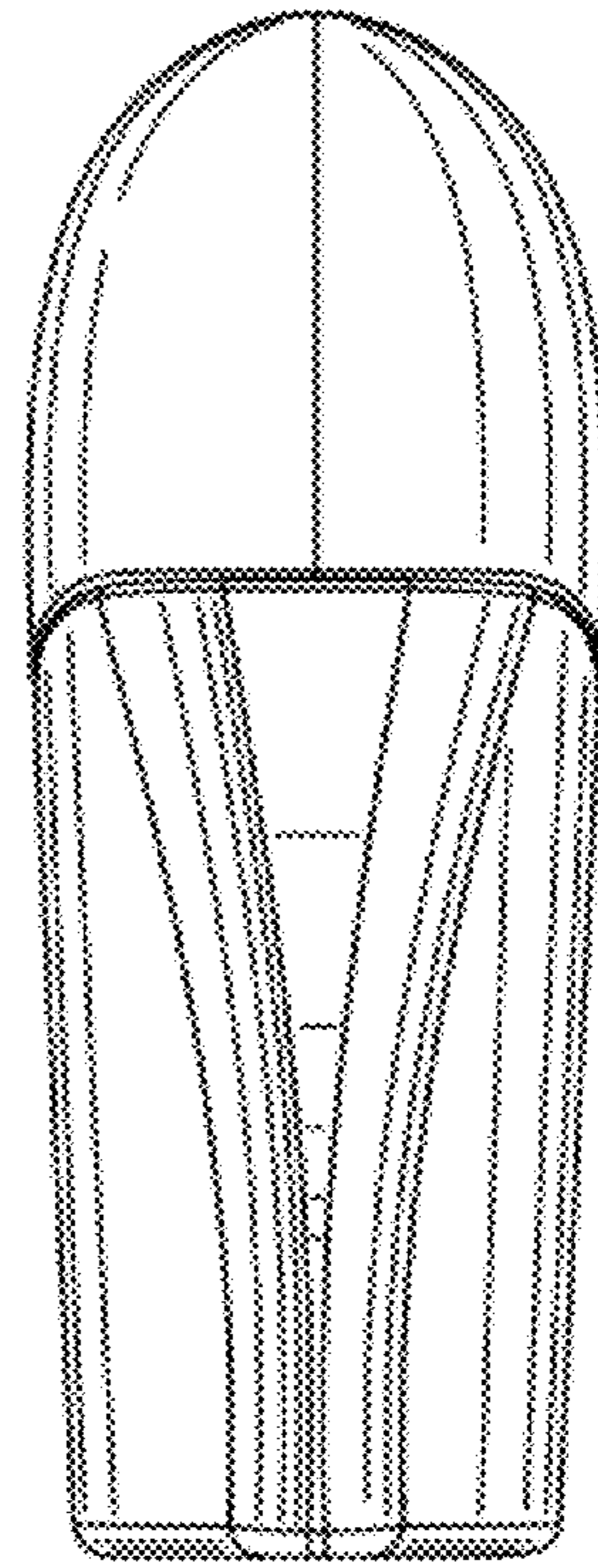


FIG. 5

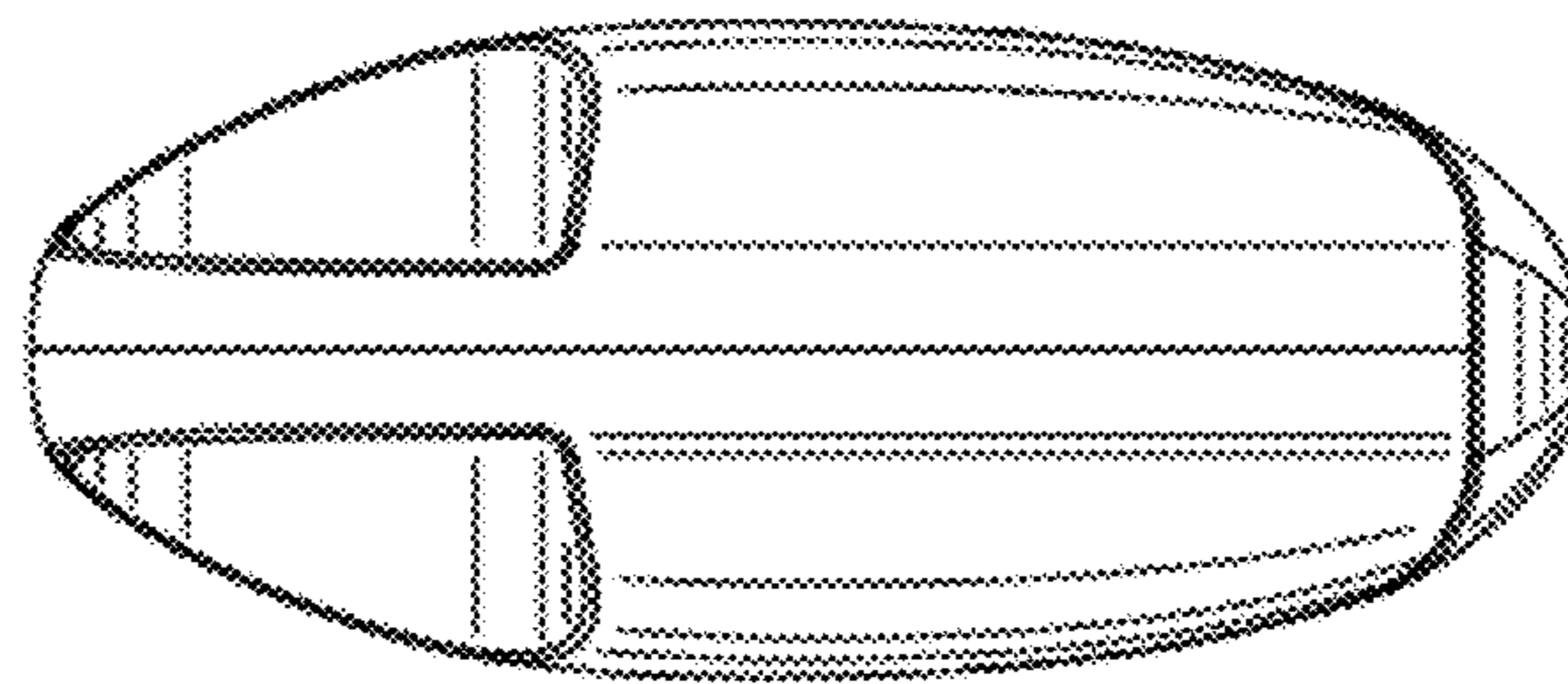


FIG. 6

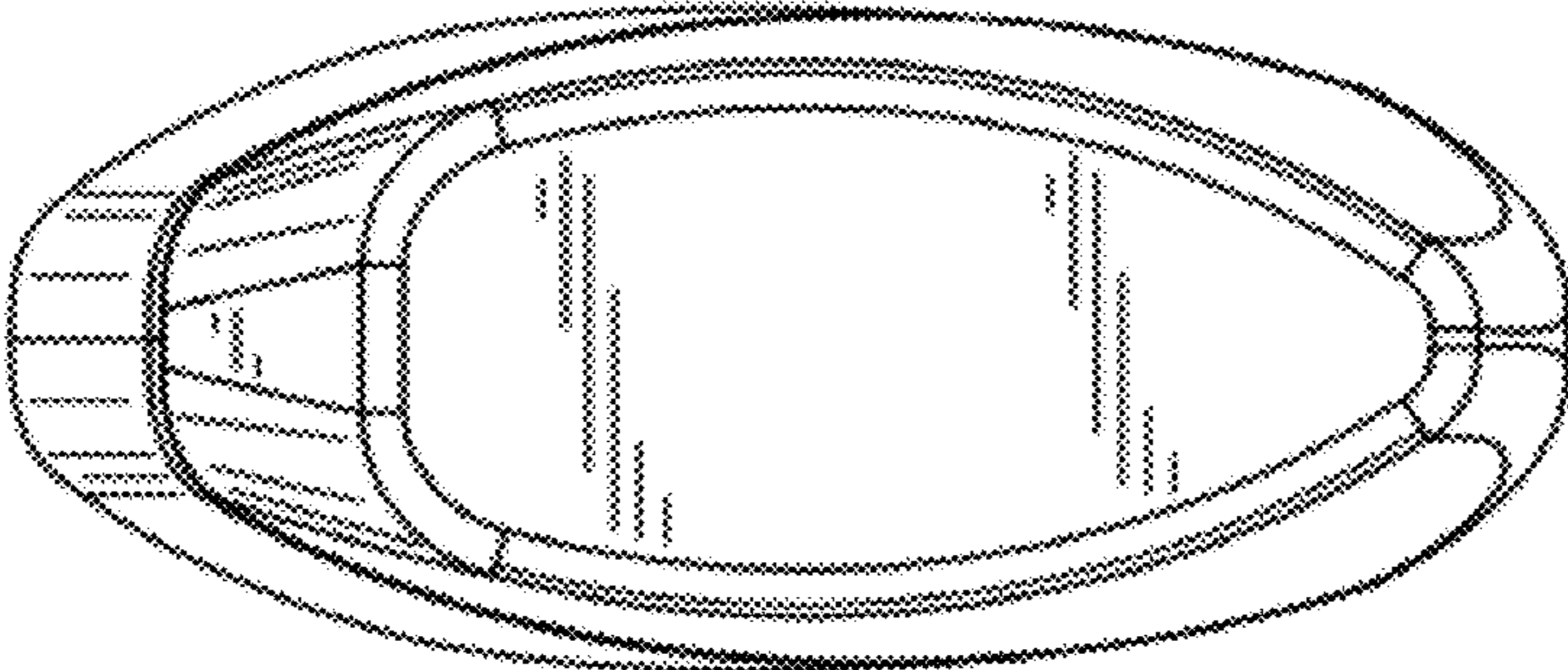


FIG. 7

