



US00D657668S

(12) **United States Design Patent**
Wang

(10) **Patent No.:** **US D657,668 S**

(45) **Date of Patent:** **** Apr. 17, 2012**

(54) **BAG SEALING APPARATUS**

(74) *Attorney, Agent, or Firm* — Sinorica, LLC

(76) Inventor: **Ching Hua Wang**, Rolling Meadows, IL (US)

(57) **CLAIM**

The ornamental design for a bag sealing apparatus, as shown and described.

(**) Term: **14 Years**

DESCRIPTION

(21) Appl. No.: **29/384,569**

FIG. 1 is a front perspective view of a bag sealing apparatus;

(22) Filed: **Feb. 1, 2011**

FIG. 2 is a front elevational view thereof;

(51) **LOC (9) Cl.** **09-07**

FIG. 3 is a rear elevational view thereof;

(52) **U.S. Cl.** **D9/434**

FIG. 4 is a right side elevational view thereof;

(58) **Field of Classification Search** D9/434,

FIG. 5 is a left side elevational view thereof;

D9/435, 443, 455, 456, 499; 53/403, 408,

FIG. 6 is a bottom plan view thereof;

53/432, 434; 215/40, 43, 44, 45, 46; D8/300,

FIG. 7 is a top plan view thereof;

D8/306, 316, 336, 342, 349, 356; 294/137,

FIG. 8 is a perspective view thereof with the rod removed from the rod cover;

294/294; 383/1, 6, 13, 15, 42, 51; D7/622;

FIG. 9 is a right side elevational view thereof with the rod removed from the rod cover;

D3/202; D25/122, 119, 103

FIG. 10 is a left side elevational view thereof with the rod removed from the rod cover;

See application file for complete search history.

FIG. 11 is a top plan view thereof showing the plane upon which a sectional view is taken and shown in FIG. 12;

(56) **References Cited**

U.S. PATENT DOCUMENTS

7,316,101 B1 * 1/2008 Nguyen et al. 53/408

FIG. 12 is a sectional view thereof;

D564,352 S * 3/2008 Rice D9/434

FIG. 13 is a top plan view thereof with the rod removed from the rod cover showing the plane upon which a sectional view is taken and shown in FIG. 14; and,

D637,905 S * 5/2011 Abrams D9/443

FIG. 14 is a sectional view thereof.

D642,913 S * 8/2011 Osborn et al. D9/435

The broken line showing of a bag sealing apparatus is for the purpose of illustrating environmental structure and forms no part of the claimed design.

* cited by examiner

Primary Examiner — Susan Bennett Hattan

Assistant Examiner — Barbara B Lohr

1 Claim, 8 Drawing Sheets



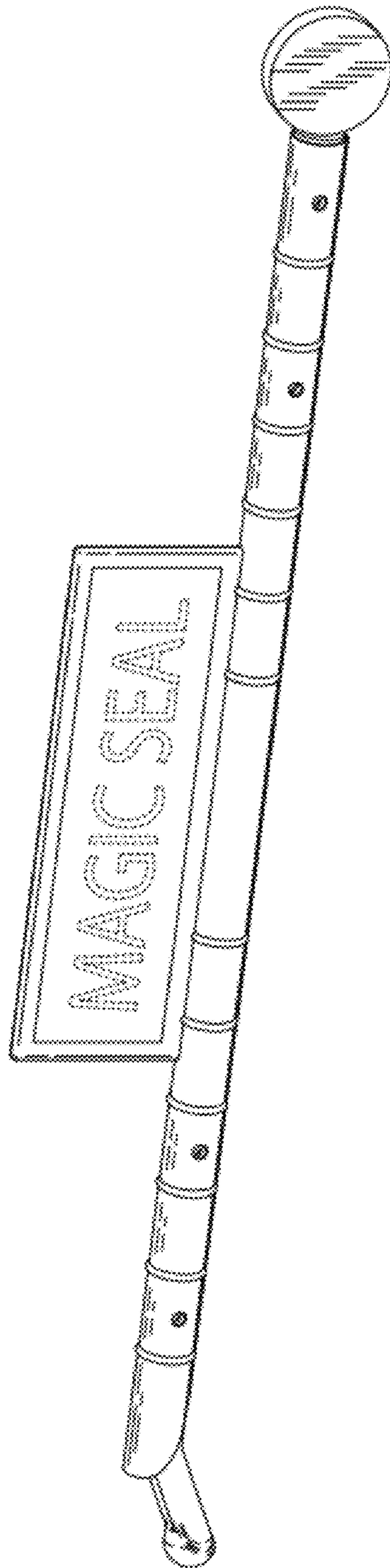


FIG. 1

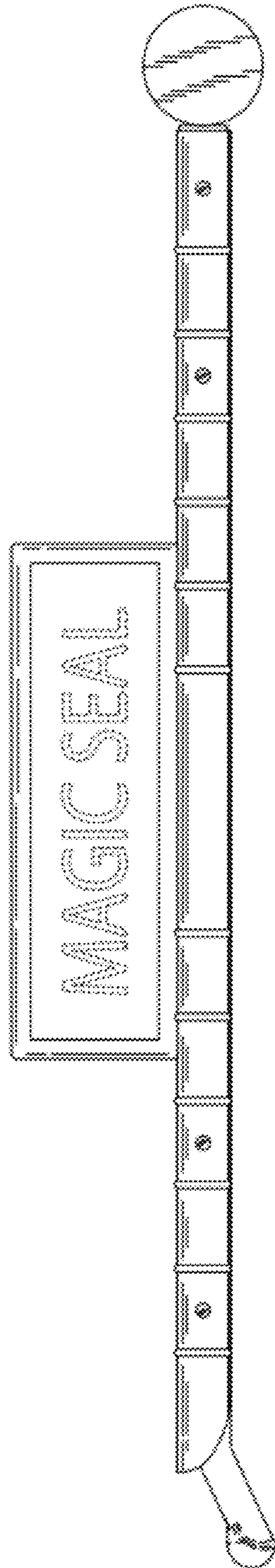


FIG. 2

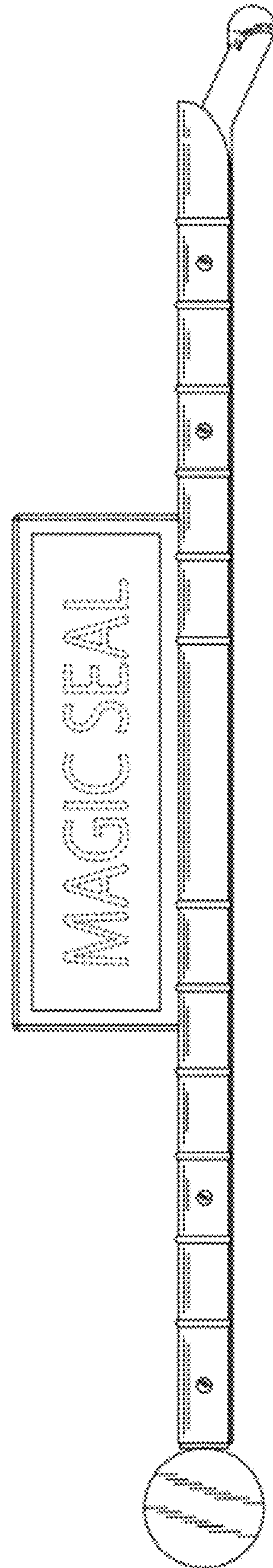


FIG. 3

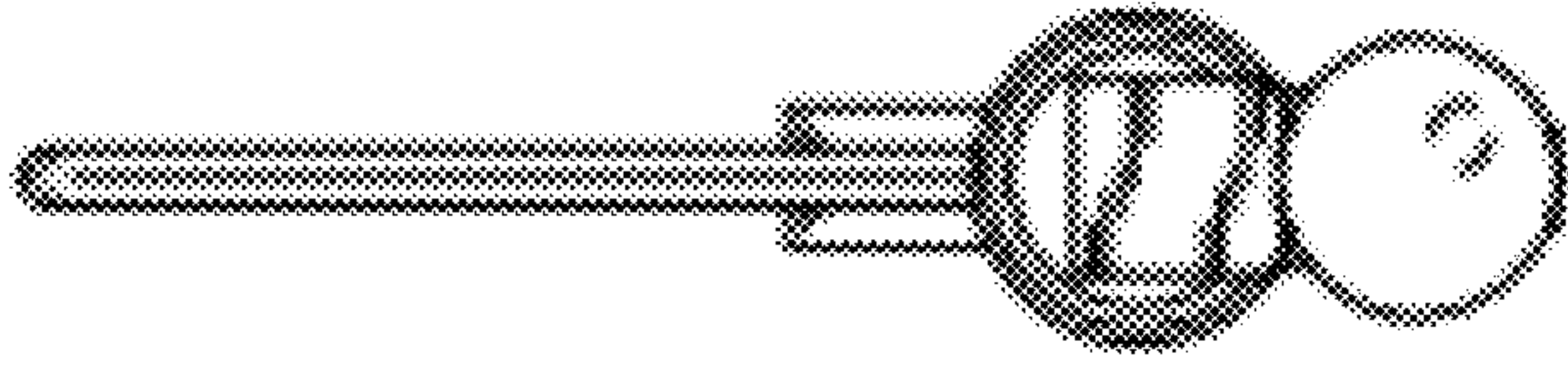


FIG. 5

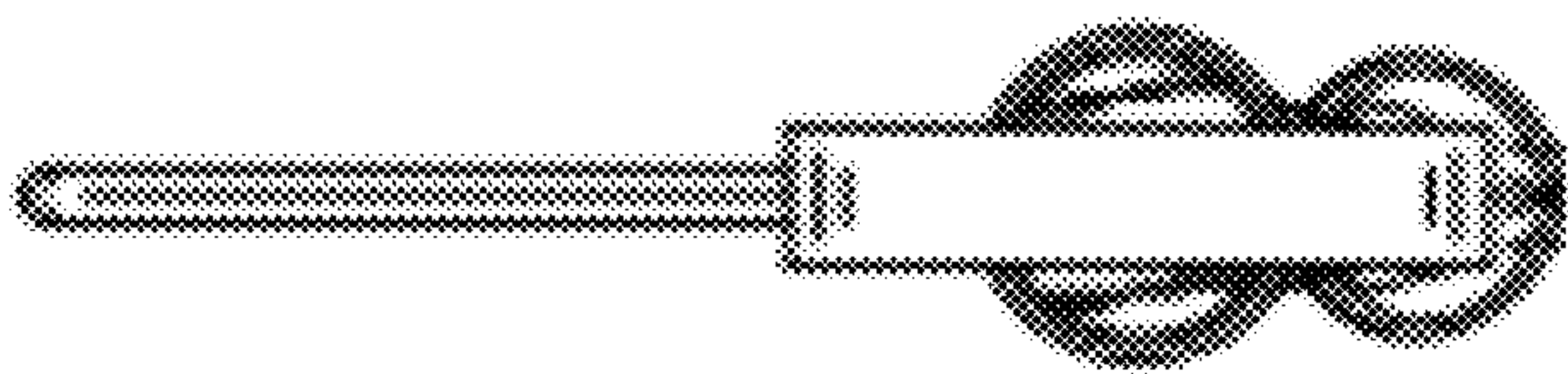


FIG. 4

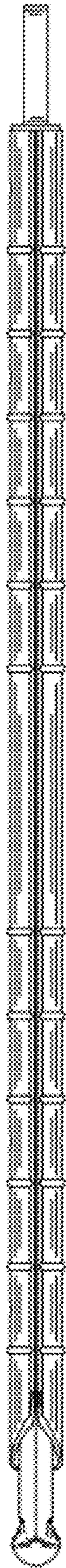


FIG. 6

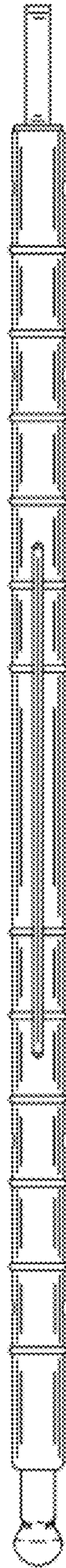


FIG. 7

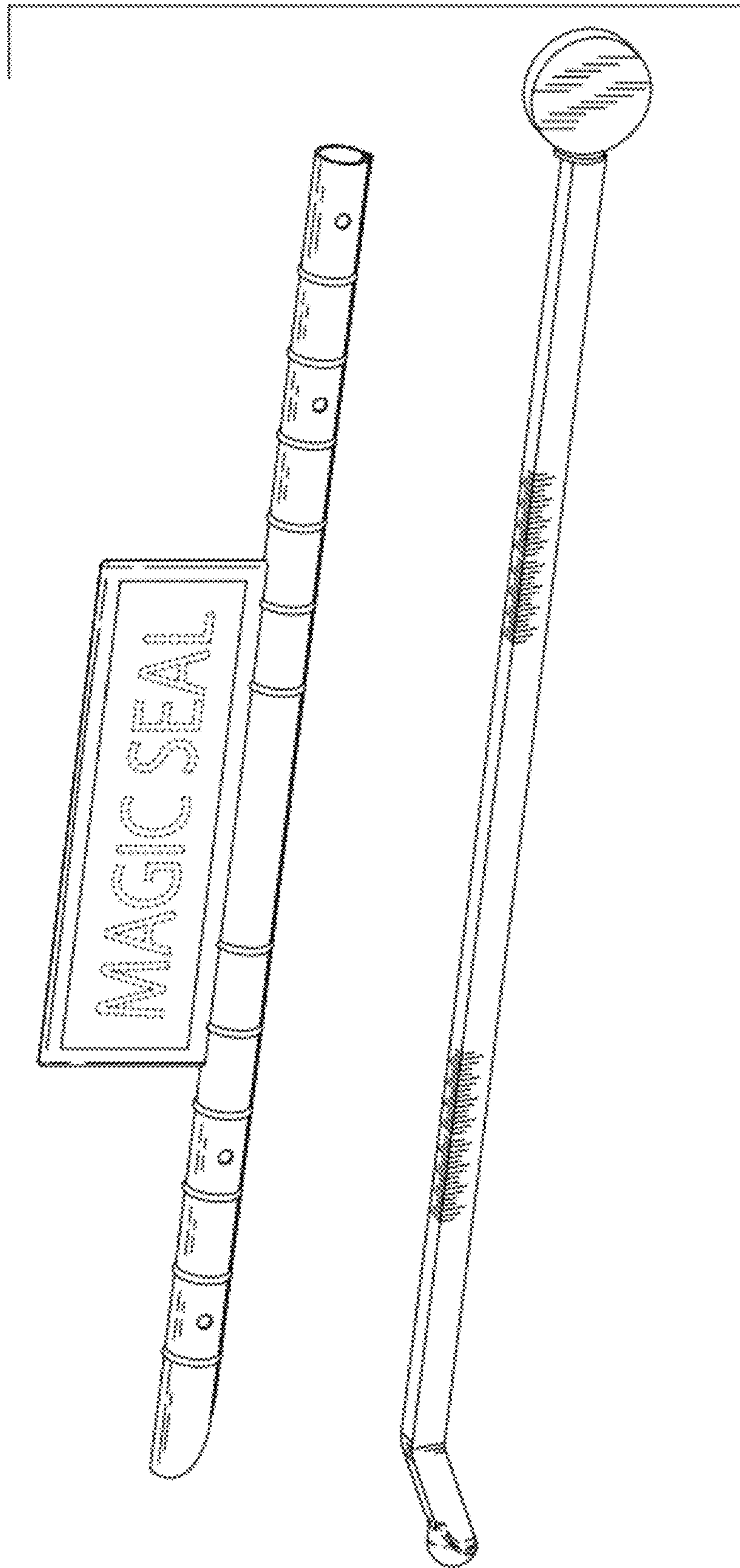


FIG. 8



FIG. 10

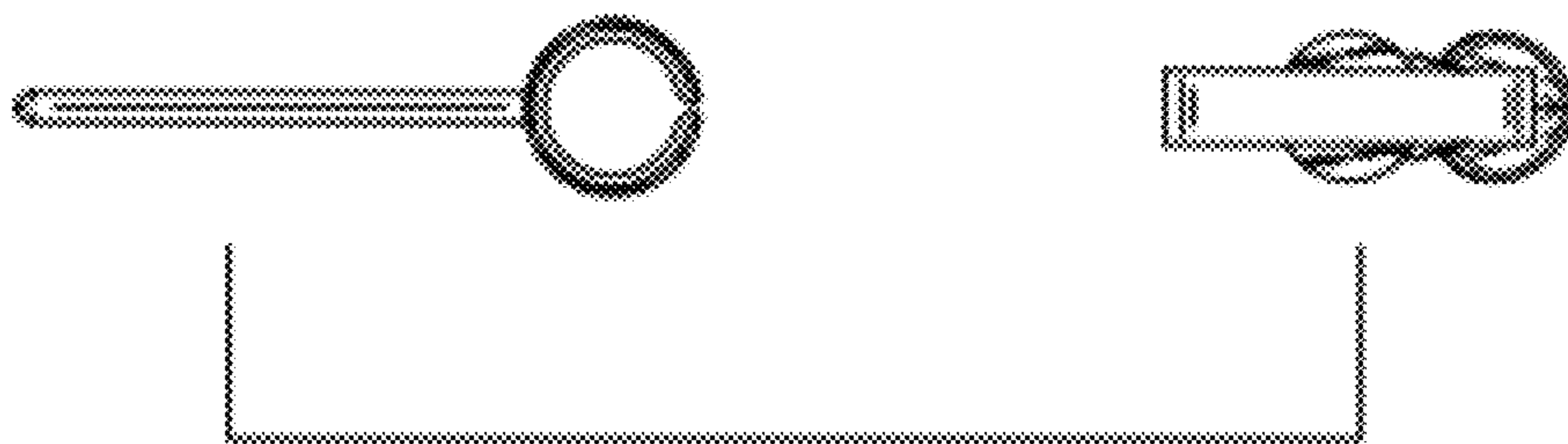


FIG. 9

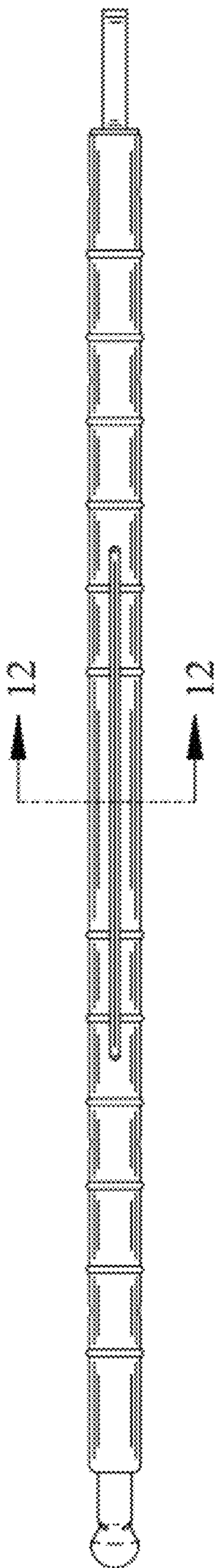


FIG. 11

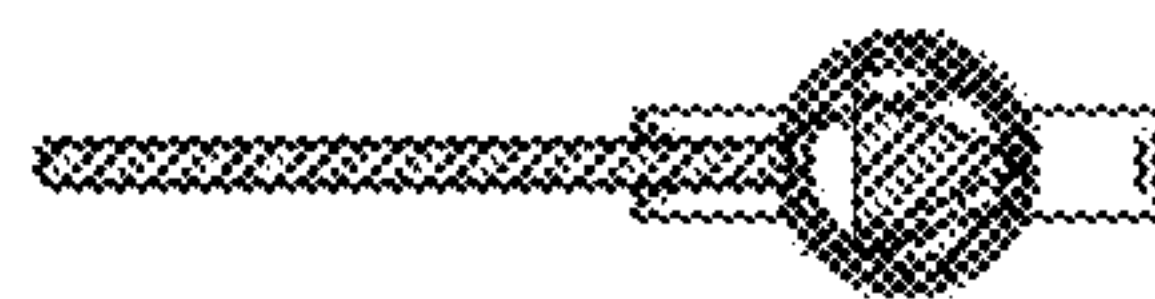


FIG. 12

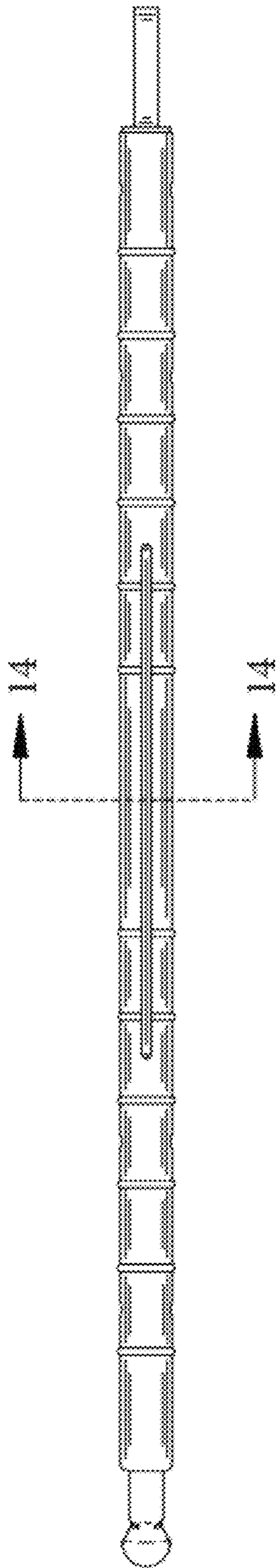


FIG. 13

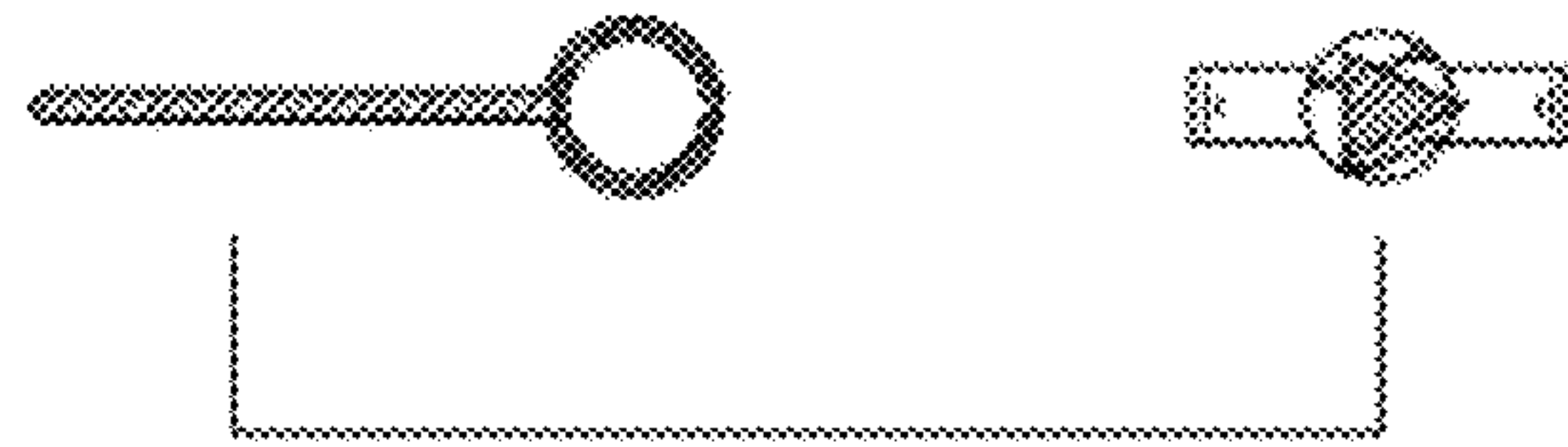


FIG. 14