



US00D657666S

(12) **United States Design Patent**
Houlton

(10) **Patent No.:** **US D657,666 S**

(45) **Date of Patent:** **** Apr. 17, 2012**

(54) **CUP**

(75) Inventor: **Simon Houlton**, Toronto (CA)

(73) Assignee: **Polytainers Inc.**, Toronto (CA)

(**) Term: **14 Years**

(21) Appl. No.: **29/365,174**

(22) Filed: **Jul. 5, 2010**

(30) **Foreign Application Priority Data**

Jan. 4, 2010 (CA) 133577

(51) **LOC (9) Cl.** **09-07**

(52) **U.S. Cl.** **D9/434; D9/452**

(58) **Field of Classification Search** D9/429,
D9/434, 444, 452, 516, 519, 549, 555, 702,
D9/711, 776, 778; D7/396.2, 500, 510, 523,
D7/509, 624.1, 624.2; 220/15, 592.17, 703,
220/738, 739, 903; D5/16, 99; 224/904;
215/10, 387

See application file for complete search history.

(56) **References Cited**

U.S. PATENT DOCUMENTS

D546,626 S *	7/2007	Chou	D7/523
D548,077 S *	8/2007	Rocco	D9/444
D553,441 S *	10/2007	Mirpuri	D7/523
D643,286 S *	8/2011	Zomorodi et al.	D9/429
D648,629 S *	11/2011	Zomorodi et al.	D9/452

* cited by examiner

Primary Examiner — Susan Bennett Hattan

Assistant Examiner — Barbara B Lohr

(74) *Attorney, Agent, or Firm* — McMillan LLP

(57) **CLAIM**

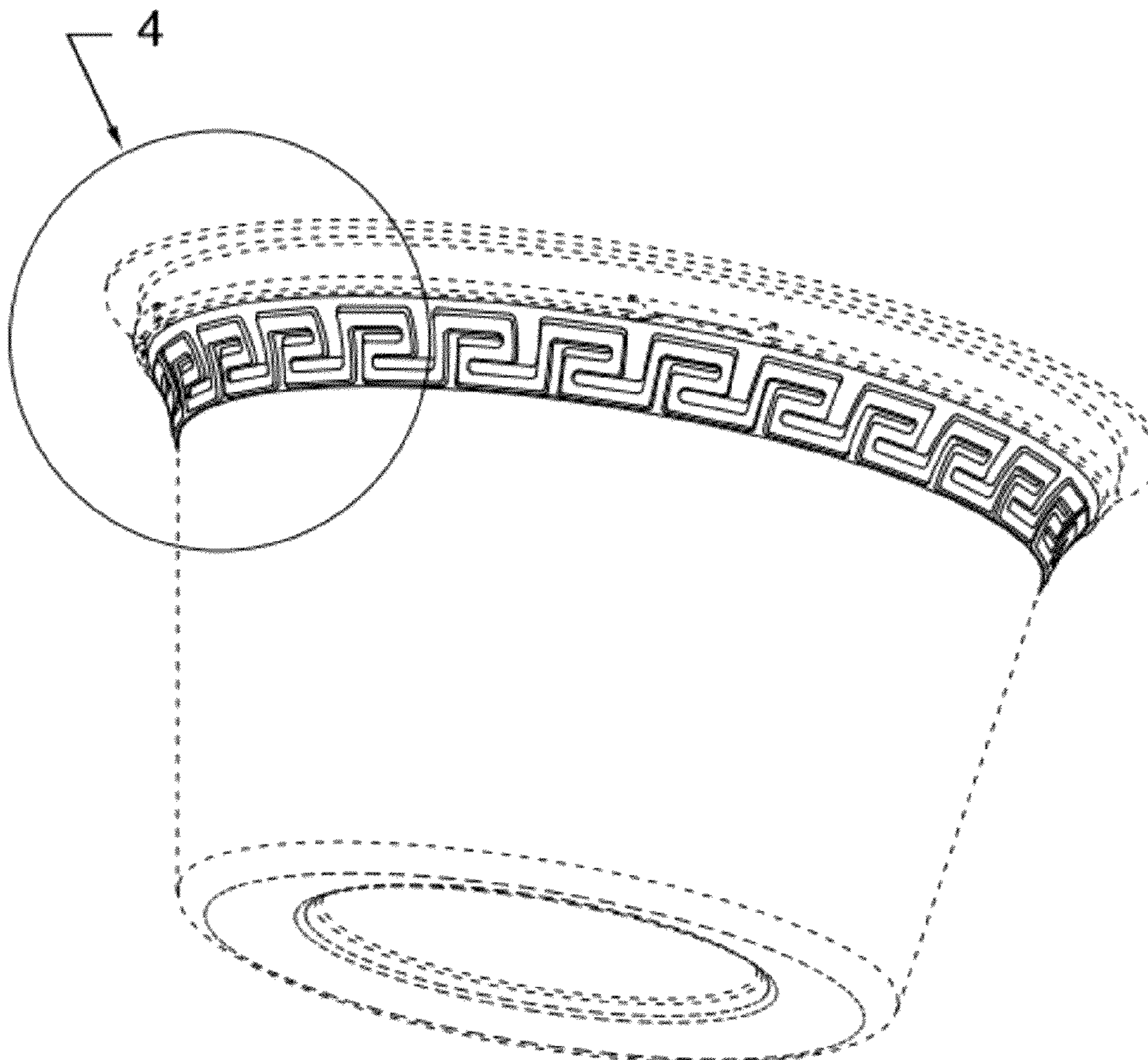
The ornamental design for a cup, as shown and described.

DESCRIPTION

FIG. 1 is a perspective view taken from the front of the cup; FIG. 2 is a front elevation view of the cup of FIG. 1; FIG. 3 is a bottom plan view of the cup of FIG. 1; and, FIG. 4 is a detail view of the encircled portion of the cup of FIG. 1.

The features shown in broken lines depict environmental subject matter only and form no part of the claimed design.

1 Claim, 4 Drawing Sheets



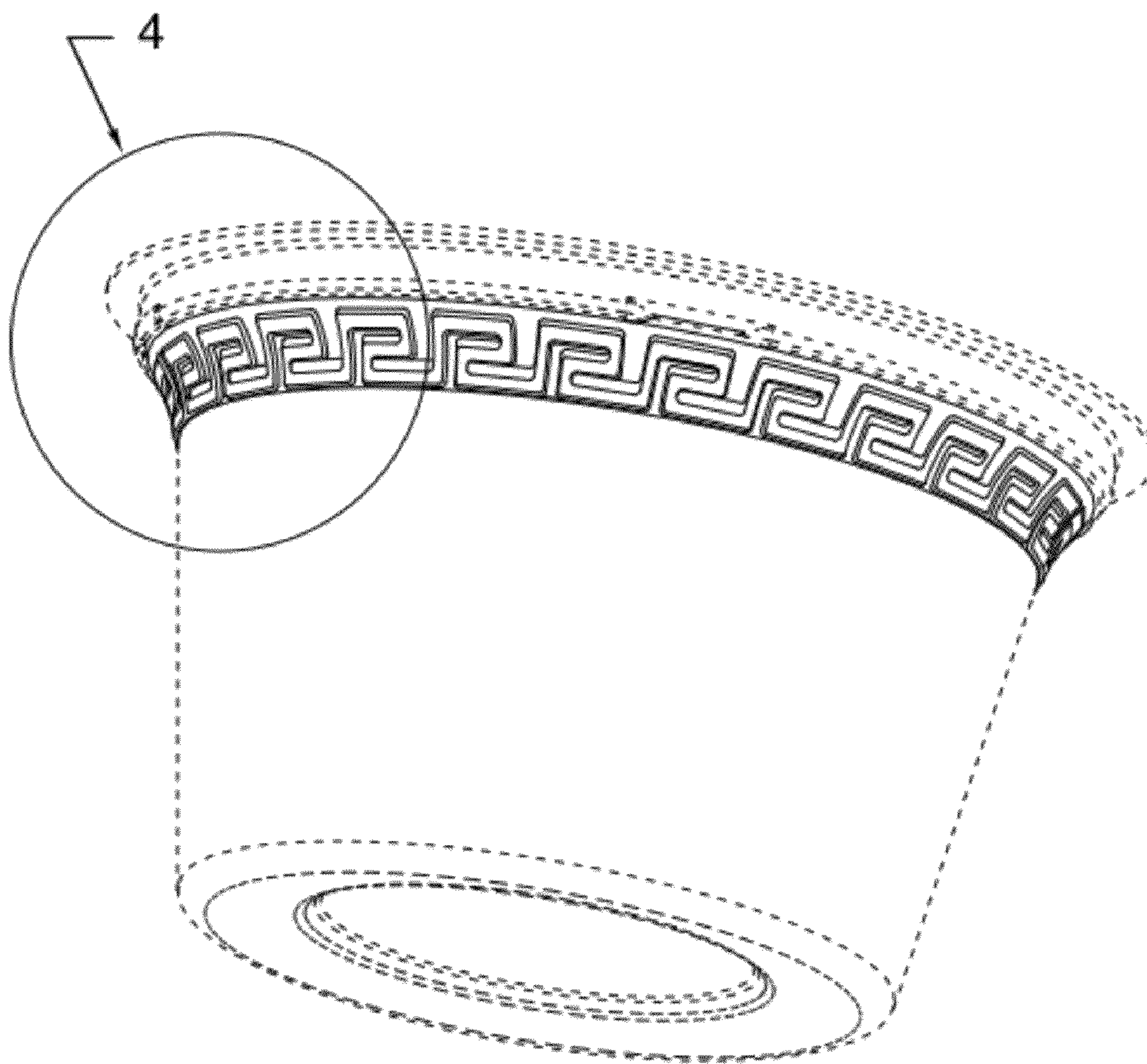


FIG.1

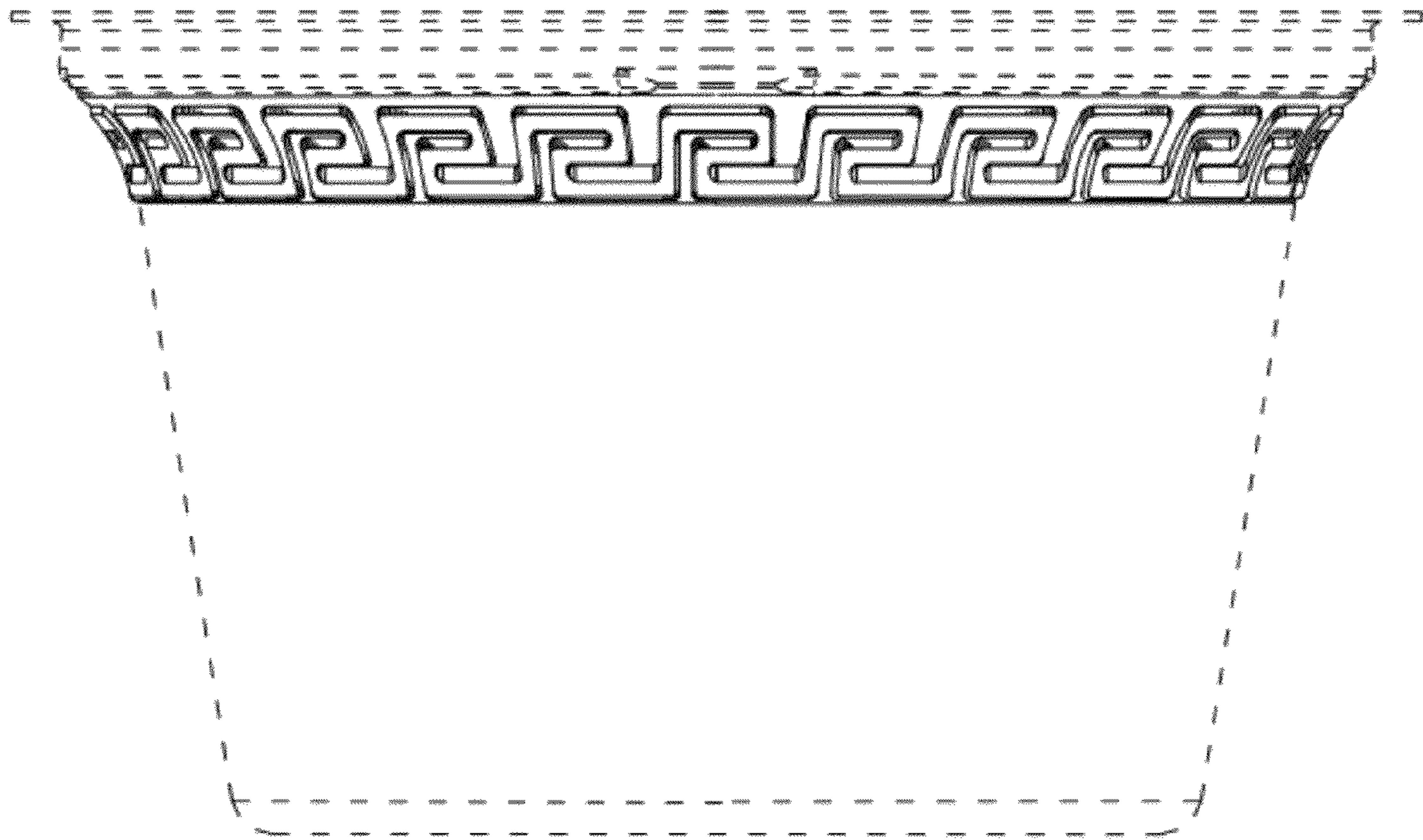


FIG. 2

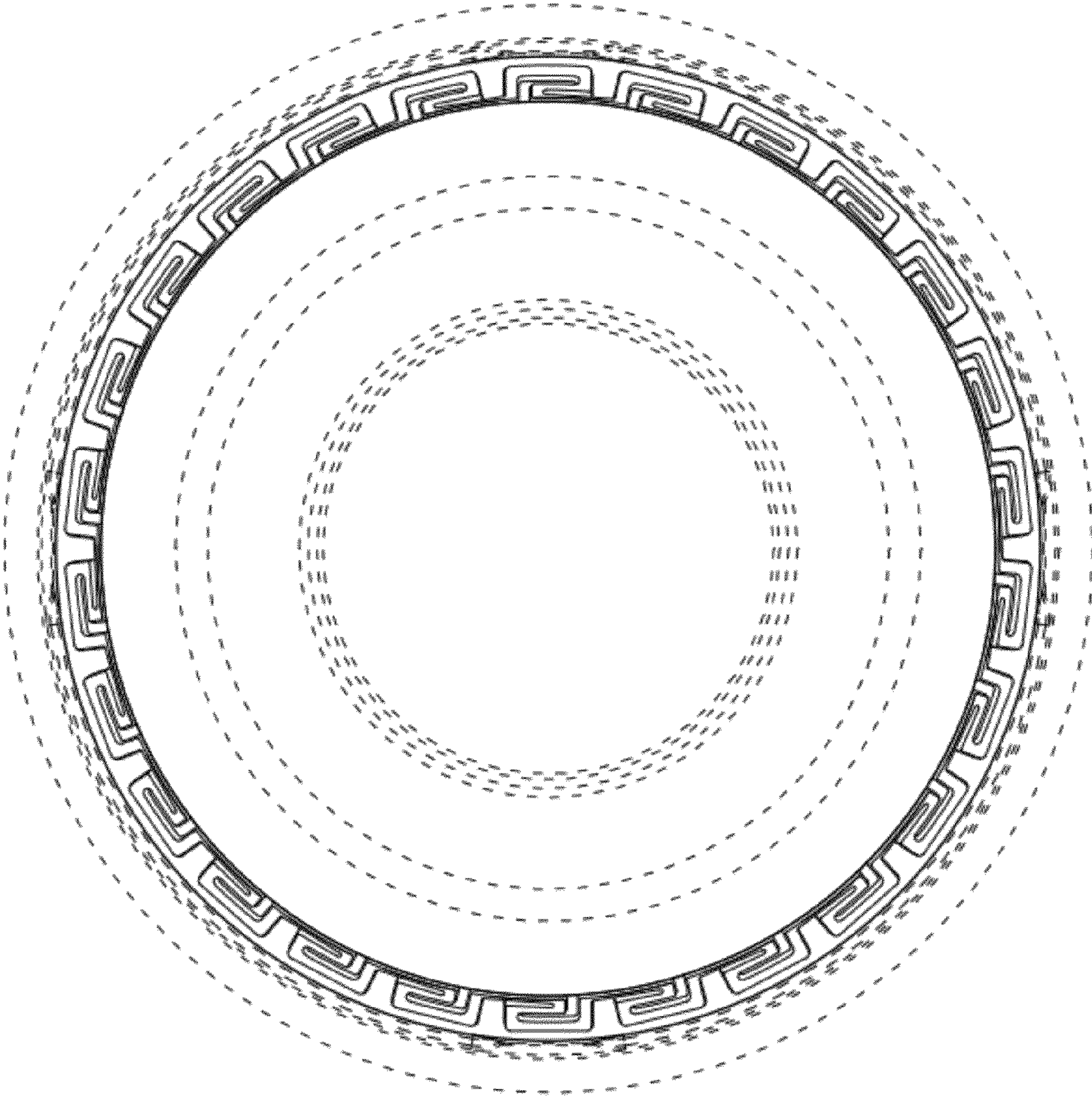


FIG.3

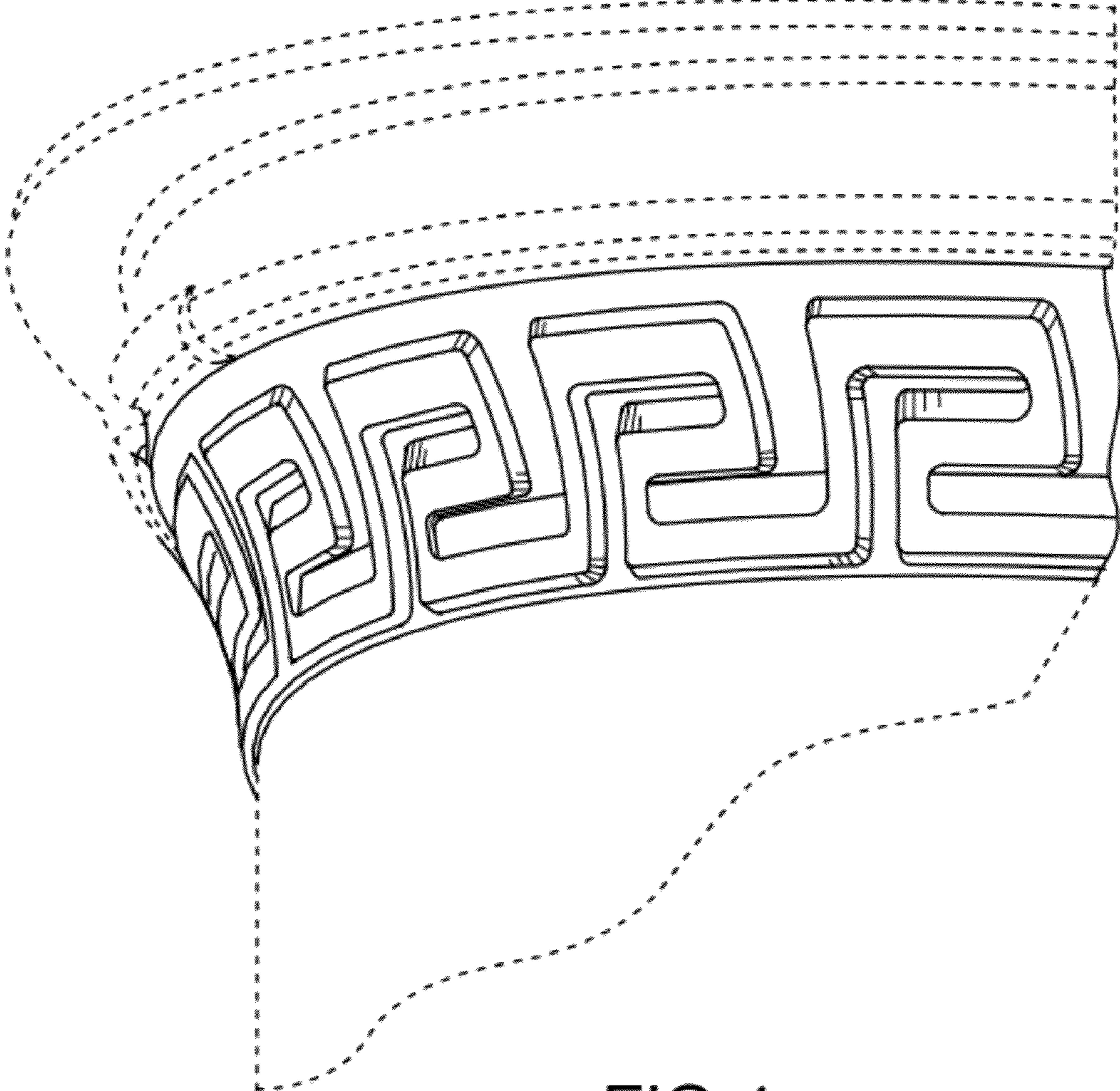


FIG.4