



US00D657665S

(12) **United States Design Patent**
Rivera et al.

(10) **Patent No.:** **US D657,665 S**
(45) **Date of Patent:** **** Apr. 17, 2012**

- (54) **STACKABLE CONTAINER**
- (75) Inventors: **Benedict R. Rivera**, Powder Springs, GA (US); **Jason Eric Riggs**, Douglasville, GA (US); **Grover John Manderfield, Jr.**, Marietta, GA (US)
- (73) Assignee: **Consolidated Container Company LP**, Atlanta, GA (US)
- (**) Term: **14 Years**
- (21) Appl. No.: **29/360,841**
- (22) Filed: **Apr. 30, 2010**
- (51) **LOC (9) Cl.** **09-07**
- (52) **U.S. Cl.** **D9/434**
- (58) **Field of Classification Search** D9/531, D9/516, 535, 434, 417, 435, 436, 454, 447, D9/520, 538, 445; 215/398, 10, 382; 206/509, 206/430; 220/4.26, 23.83
See application file for complete search history.

- D286,026 S * 10/1986 Rayner D9/435
- D286,379 S 10/1986 Lyons
- 4,805,793 A * 2/1989 Brandt et al. 215/10
- D302,794 S * 8/1989 Turner et al. D9/447
- D311,136 S * 10/1990 Barker et al. D9/531
- 4,984,697 A * 1/1991 Kelly 215/11.1
- 5,064,081 A * 11/1991 Hayashi et al. 215/373
- 5,064,101 A * 11/1991 Richter et al. 222/143

(Continued)

OTHER PUBLICATIONS

Notice of Allowance Dated Dec. 12, 2011, for U.S. Appl. No. 29/404,901.

Primary Examiner — Paula Greene

(74) *Attorney, Agent, or Firm* — Alston & Bird LLP

(57) **CLAIM**

The ornamental design for a stackable container, as shown and described.

DESCRIPTION

FIG. 1 is a perspective view of a stackable container showing our new design;

FIG. 2 is an elevation front view of the stackable container shown in FIG. 1;

FIG. 3 is an elevation side view of the stackable container shown in FIG. 1, the opposite side view being a mirror image thereof;

FIG. 4 is an elevation rear view of the stackable container shown in FIG. 1;

FIG. 5 is a plan top view of the stackable container shown in FIG. 1; and,

FIG. 6 is a bottom plan view of a stackable container of FIG. 1.

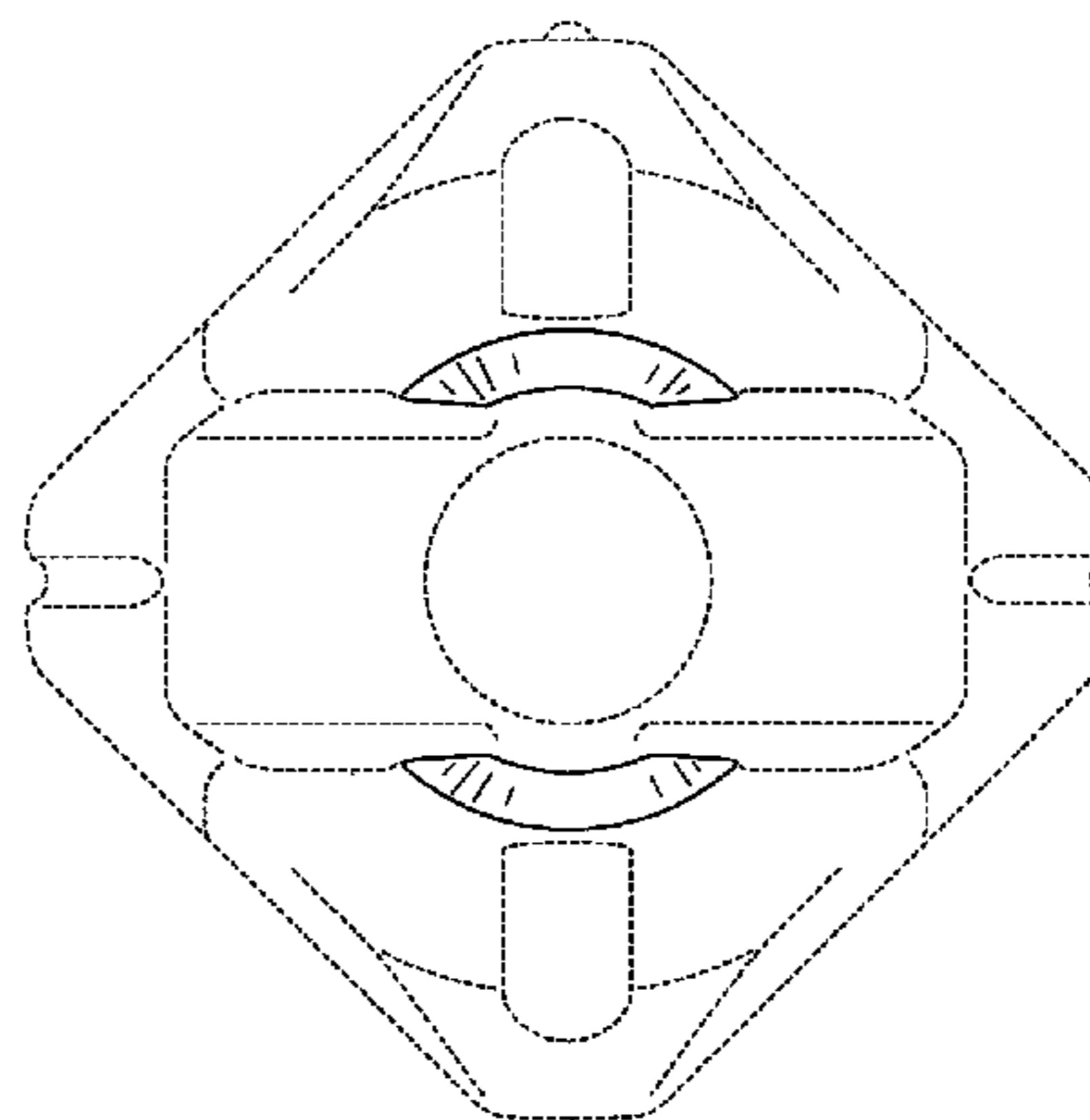
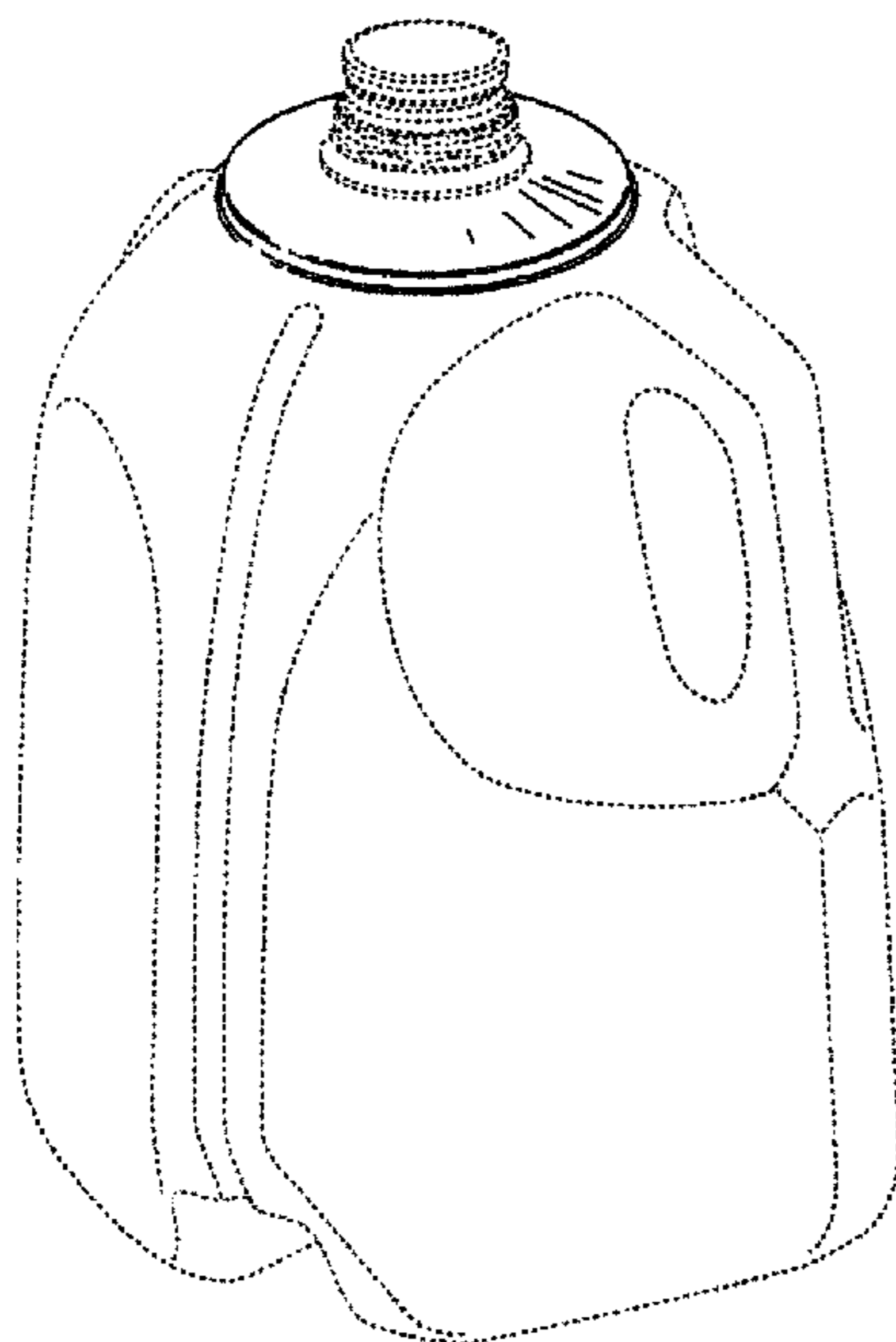
The broken lines shown in the drawing disclosure are for illustrative purposes only and form no part of the claimed design.

1 Claim, 6 Drawing Sheets

(56) **References Cited**

U.S. PATENT DOCUMENTS

- D32,681 S * 5/1900 Morgenthaler D9/434
- 1,986,937 A * 1/1935 MacGregor 473/589
- 2,643,785 A * 6/1953 Rust, Sr. 215/11.3
- D203,226 S * 12/1965 Schnur D9/531
- 3,391,824 A * 7/1968 Wiseman 206/504
- D212,410 S * 10/1968 Platte D9/531
- 3,434,615 A * 3/1969 Barletta 215/276
- D213,821 S 4/1969 Platte
- 3,463,361 A * 8/1969 Cook et al. 222/144.5
- 3,464,587 A * 9/1969 Edwards 206/520
- 3,485,355 A * 12/1969 Stewart 206/509
- 3,708,082 A * 1/1973 Platte 215/385
- D229,670 S * 12/1973 Platte D9/531
- D239,437 S * 4/1976 Boduch D9/445
- D256,664 S * 9/1980 Burrington et al. D9/520
- 4,372,455 A * 2/1983 Cochran 215/385



US D657,665 S

Page 2

U.S. PATENT DOCUMENTS

D327,808 S *	7/1992	Kline	D7/392.1			
D331,653 S *	12/1992	Stone	D34/11			
D332,747 S *	1/1993	Darr et al.	D9/520			
D348,137 S *	6/1994	Campbell	D3/314			
5,320,230 A *	6/1994	Hsiung	215/375			
D388,134 S *	12/1997	Dunipace	D21/443			
D392,188 S *	3/1998	Darr et al.	D9/520			
D409,494 S *	5/1999	Frazer	D9/520			
5,927,499 A *	7/1999	Vesborg	206/509			
D415,035 S *	10/1999	Ankney et al.	D9/531			
D418,423 S *	1/2000	Lauth et al.	D9/531			
D430,033 S	8/2000	Beaver					
6,338,415 B1 *	1/2002	Grob	215/398			
D474,114 S *	5/2003	Vlahakis et al.	D9/531			
D511,462 S *	11/2005	Haley et al.	D9/531			
D512,320 S *	12/2005	Haley et al.	D9/531			
D518,711 S *	4/2006	Bretz et al.	D9/434			
D532,694 S *	11/2006	Darr et al.	D9/520			
D538,667 S	3/2007	Hague et al.					
D551,553 S	9/2007	Meeker et al.					
D564,877 S *	3/2008	Hood et al.	D9/454			
D571,201 S *	6/2008	Petrosino et al.	D9/436			
D604,623 S *	11/2009	Baker, III	D9/531			
D612,734 S	3/2010	Sarsfield-Thomas et al.					
7,699,171 B2 *	4/2010	Rivera et al.	206/508			
8,047,392 B2 *	11/2011	Eiten et al.	220/23.6			

* cited by examiner

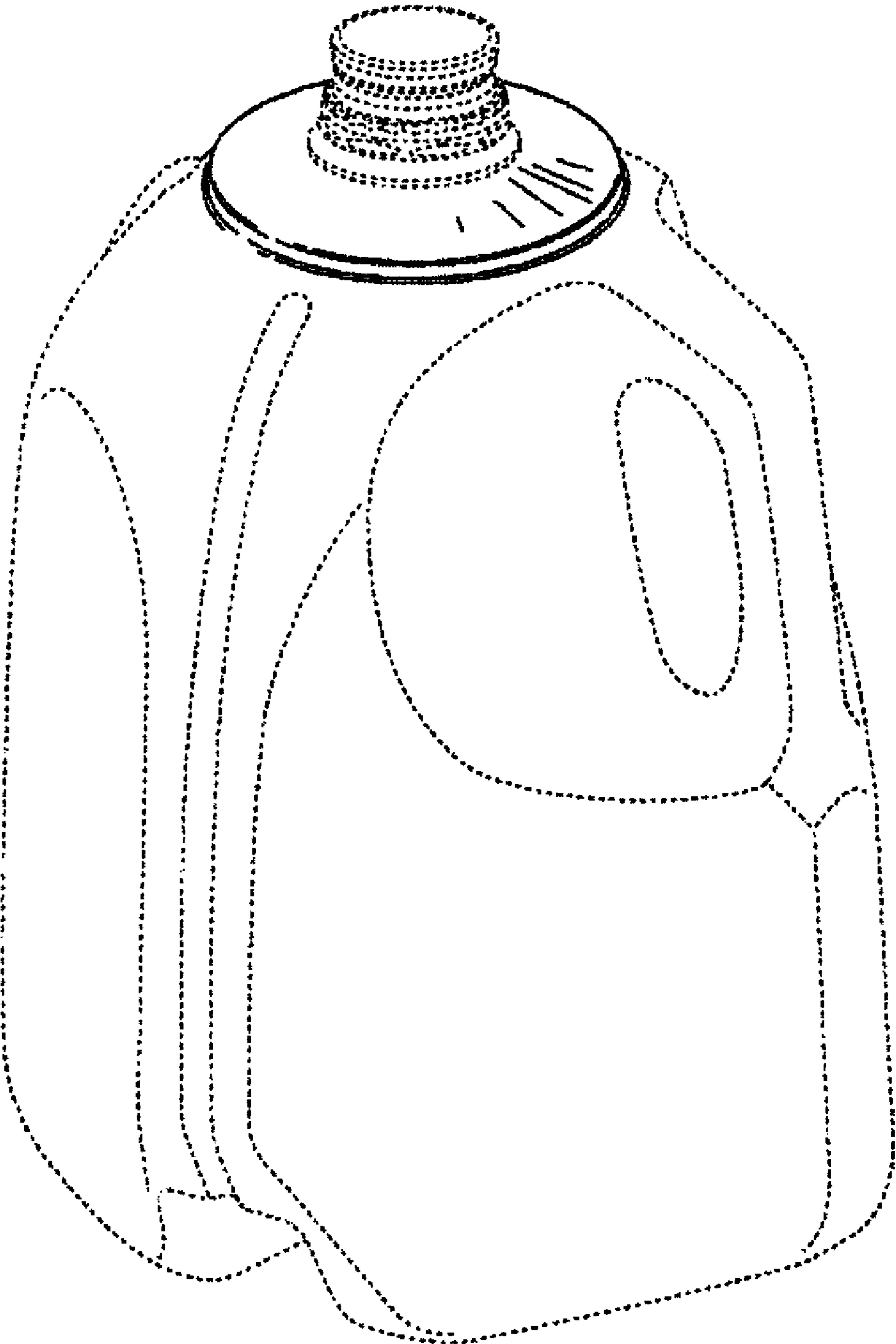


FIG. 1

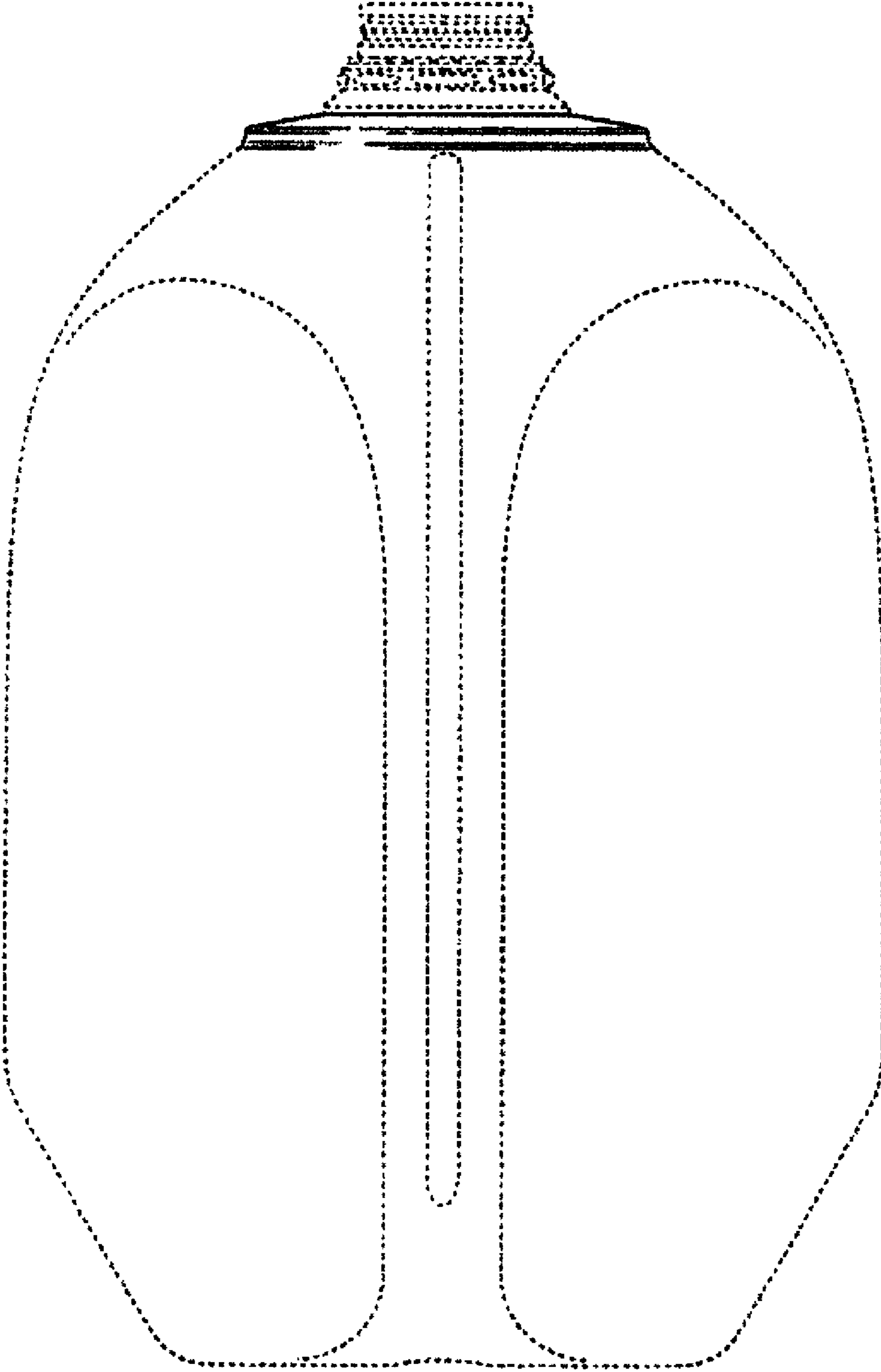


FIG. 2

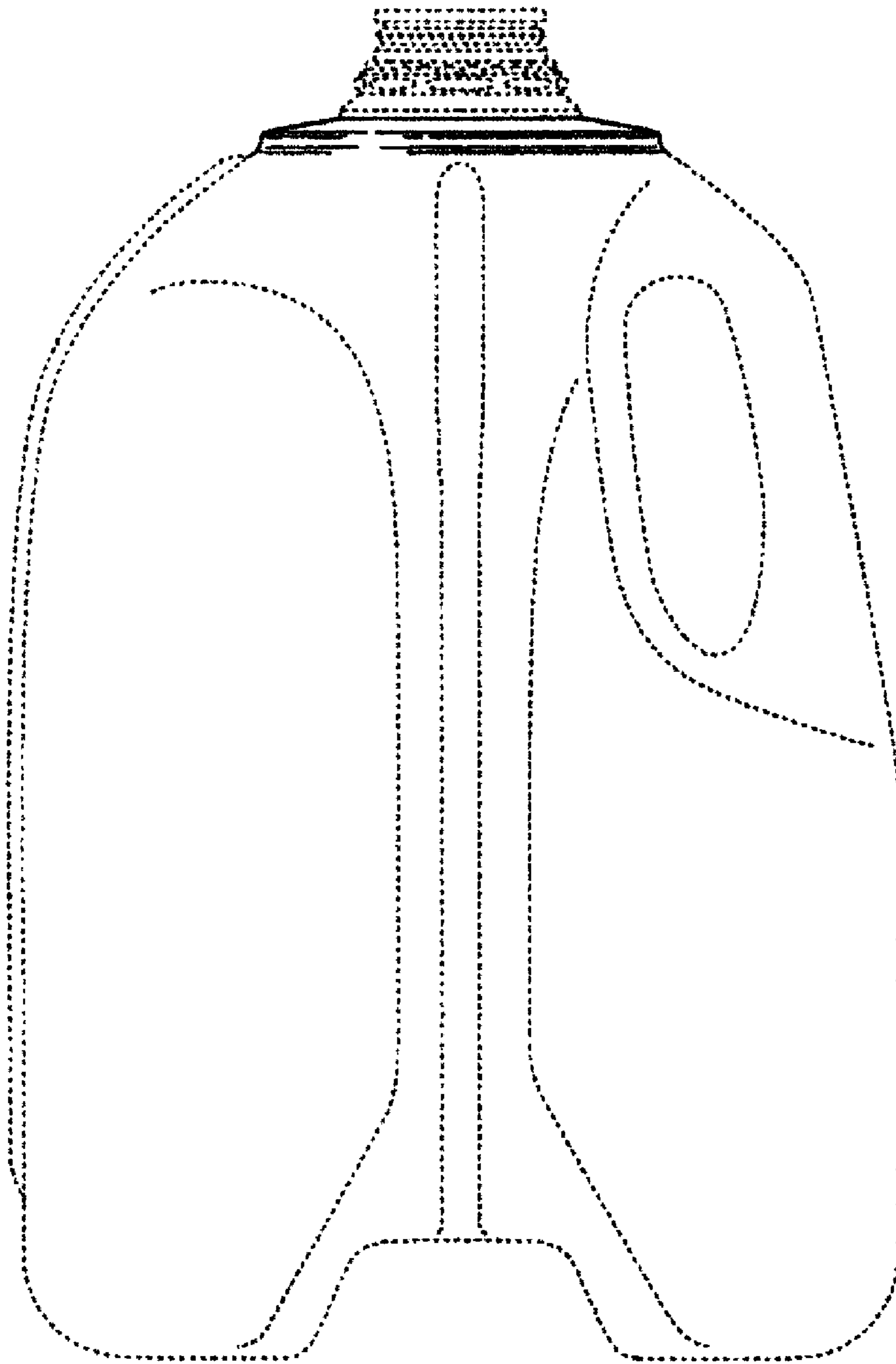


FIG. 3

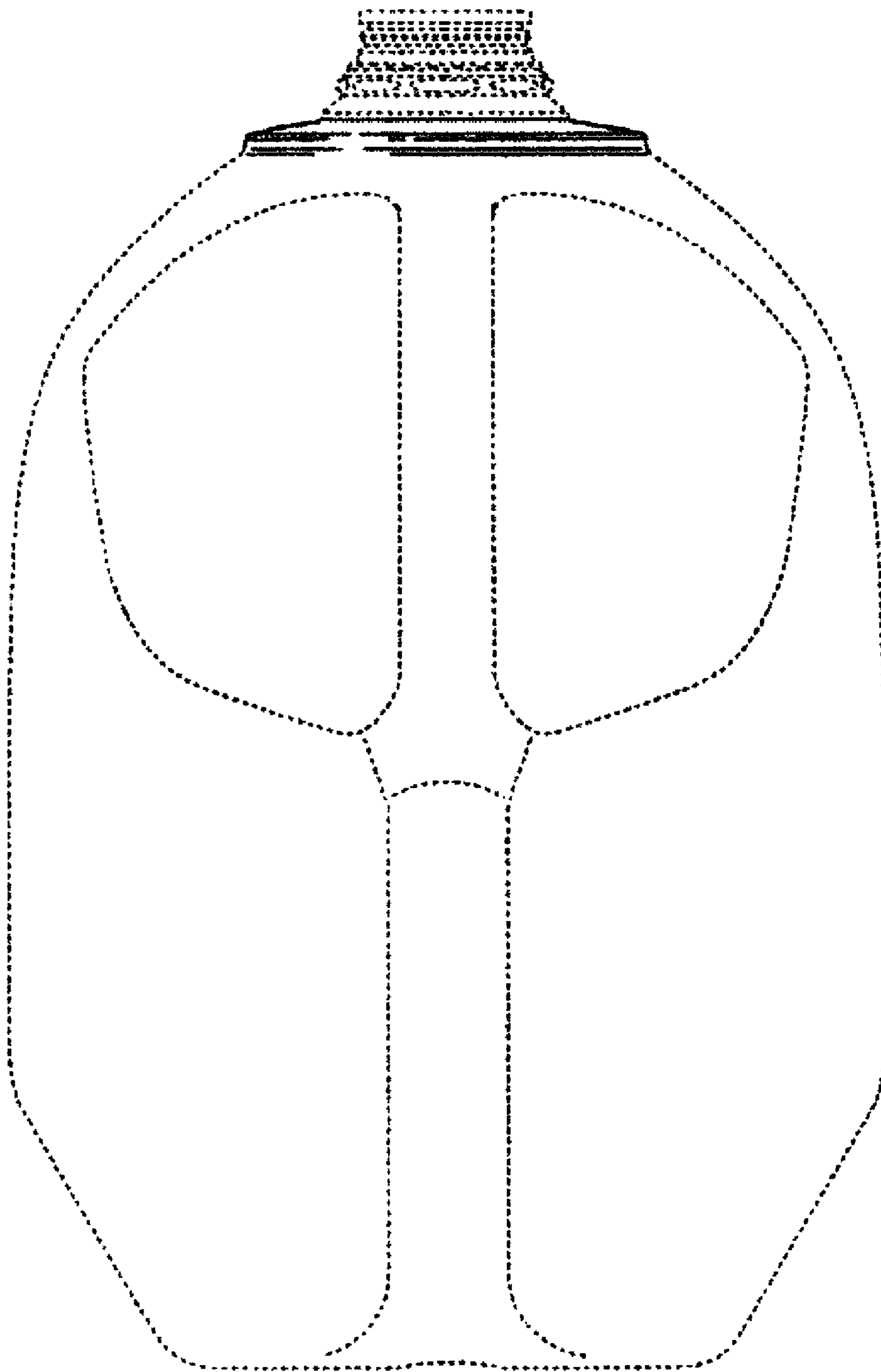


FIG. 4

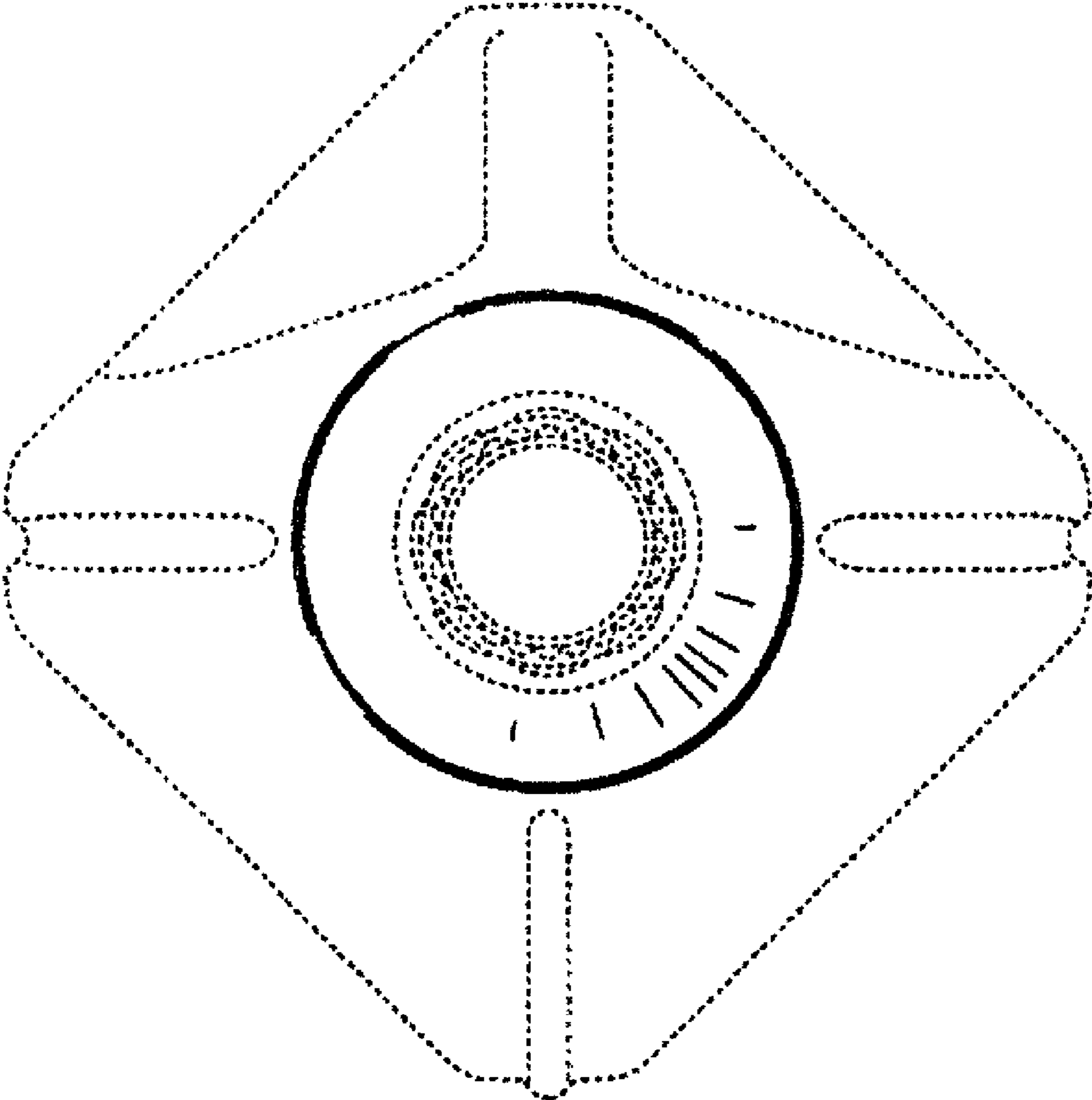


FIG. 5

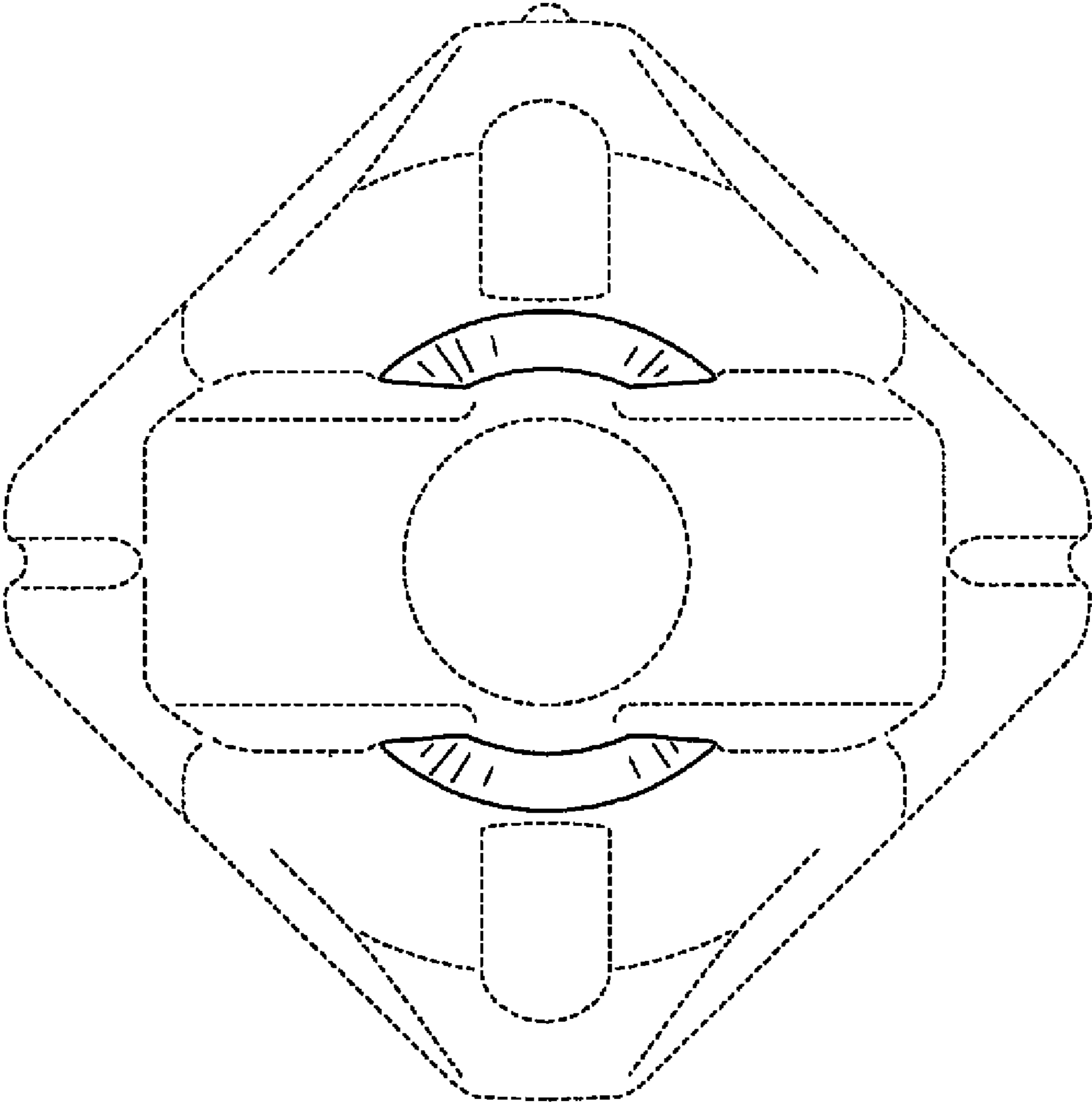


FIG. 6