



US00D657662S

(12) **United States Design Patent**
Boucher-Gagne et al.

(10) **Patent No.:** **US D657,662 S**
(45) **Date of Patent:** **** *Apr. 17, 2012**

(54) **PUZZLE CLIP**

(75) Inventors: **Etienne Boucher-Gagne**, Montreal (CA); **Geneviève Côté**, St-Constant (CA)

(73) Assignee: **Mega Brands International, Luxembourg, Zug Branch** (CH)

(*) Notice: This patent is subject to a terminal disclaimer.

(**) Term: **14 Years**

(21) Appl. No.: **29/386,684**

(22) Filed: **Mar. 3, 2011**

(51) **LOC (9) Cl.** **08-08**

(52) **U.S. Cl.** **D8/394; D8/395**

(58) **Field of Classification Search** D8/356, D8/371, 394-396; D19/65, 34; D24/128; 24/570, 128, 67.9, 66.13; 248/74.2, 215, 248/227.1, 49, 300, 301, 316.7, 51, 489; D11/214, 215, 78.1; 116/237
See application file for complete search history.

(56) **References Cited**

U.S. PATENT DOCUMENTS

| | | | | | |
|-----------|-----|---------|----------------|-------|-----------|
| 3,086,264 | A * | 4/1963 | Tindall | | 24/30.5 R |
| D202,294 | S * | 9/1965 | Heifetz | | D8/396 |
| D207,057 | S * | 2/1967 | Palmer | | D8/395 |
| D226,801 | S * | 5/1973 | Rumble | | D8/394 |
| 4,241,477 | A * | 12/1980 | Freedom et al. | | 24/67 R |
| D258,638 | S * | 3/1981 | Yim | | D8/394 |

| | | | | | |
|--------------|------|---------|----------------|-------|---------|
| D265,048 | S * | 6/1982 | Guardia | | D8/328 |
| 5,495,644 | A * | 3/1996 | Meshner et al. | | 24/3.12 |
| 5,692,806 | A * | 12/1997 | Jones | | 297/483 |
| D476,881 | S * | 7/2003 | Niwa | | D8/395 |
| D480,200 | S * | 9/2003 | Sprague | | D99/29 |
| D492,727 | S * | 7/2004 | Nuttall et al. | | D19/65 |
| D545,183 | S * | 6/2007 | French et al. | | D8/394 |
| D620,984 | S * | 8/2010 | Rose et al. | | D20/27 |
| 7,877,916 | B2 * | 2/2011 | Chamandy | | 40/658 |
| 7,921,527 | B2 * | 4/2011 | Moy | | 24/462 |
| 2003/0056344 | A1 * | 3/2003 | Brogdon, III | | 24/564 |
| 2003/0101551 | A1 * | 6/2003 | Levesque | | 24/545 |

* cited by examiner

Primary Examiner — John Windmuller

(74) *Attorney, Agent, or Firm* — Patton Boggs LLP

(57) **CLAIM**

The ornamental design for a puzzle clip, as shown and described.

DESCRIPTION

FIG. 1 is an isometric view of the puzzle clip.

FIG. 2 is a bottom view of the puzzle clip.

FIG. 3 is a top view of the puzzle clip.

FIG. 4 is a left side view of the puzzle clip.

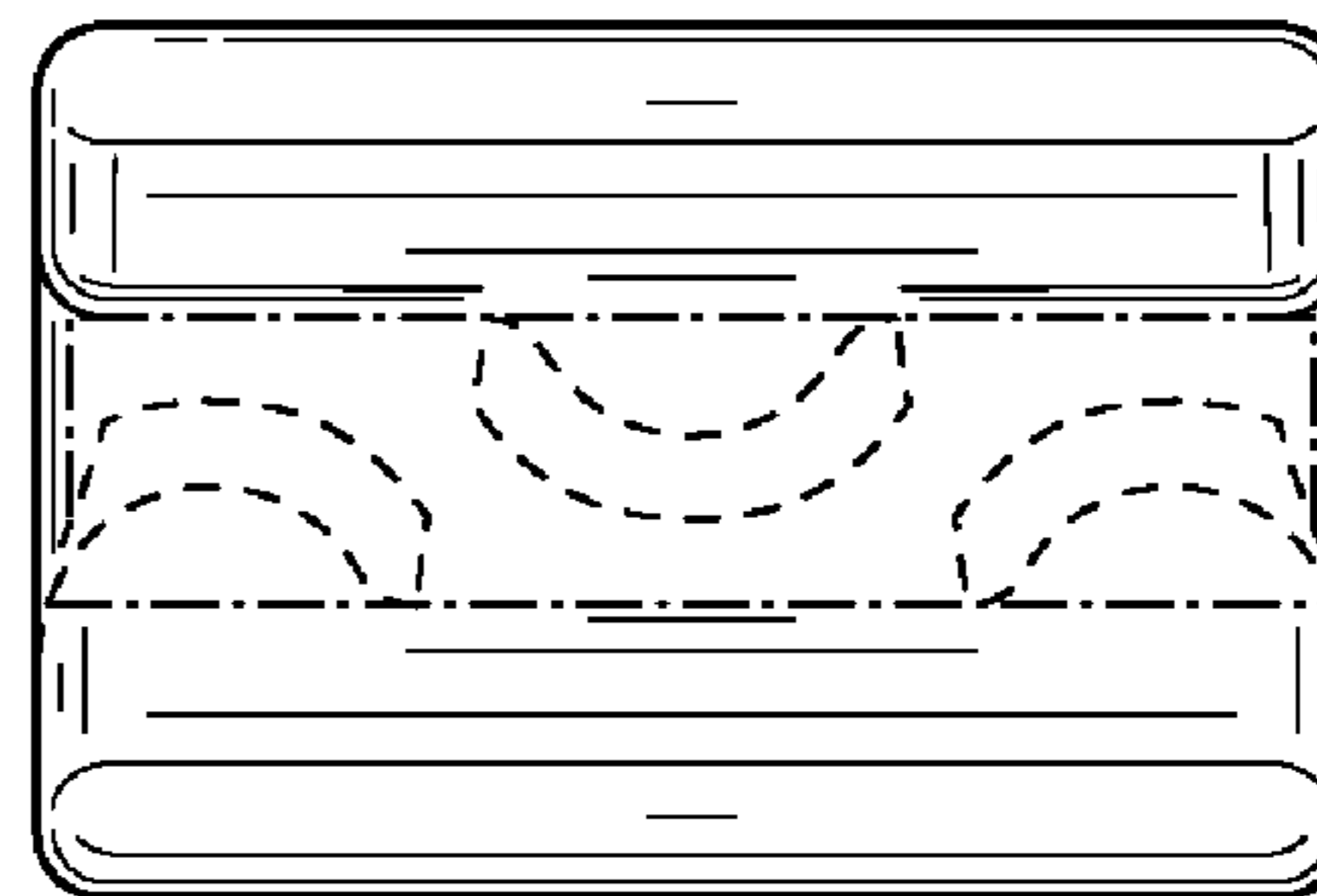
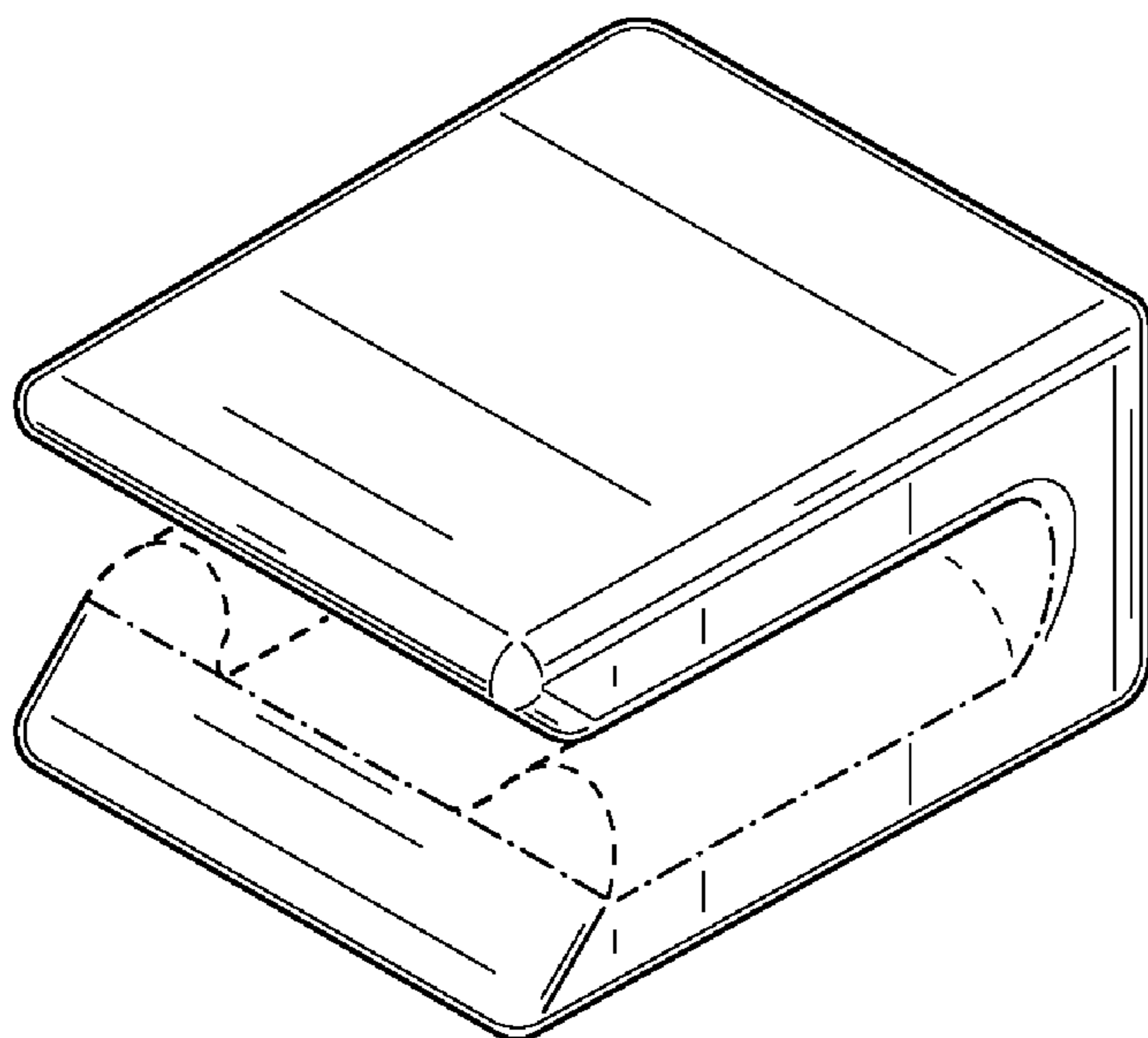
FIG. 5 is a right side view of the puzzle clip.

FIG. 6 is a back view of the puzzle clip; and,

FIG. 7 is a front view of the puzzle clip.

The broken lines in the figures depict portions of the puzzle clip that form no part of the claimed design. The dot-dash lines in the figures represent the boundary between claimed and unclaimed portions of the puzzle clip.

1 Claim, 2 Drawing Sheets



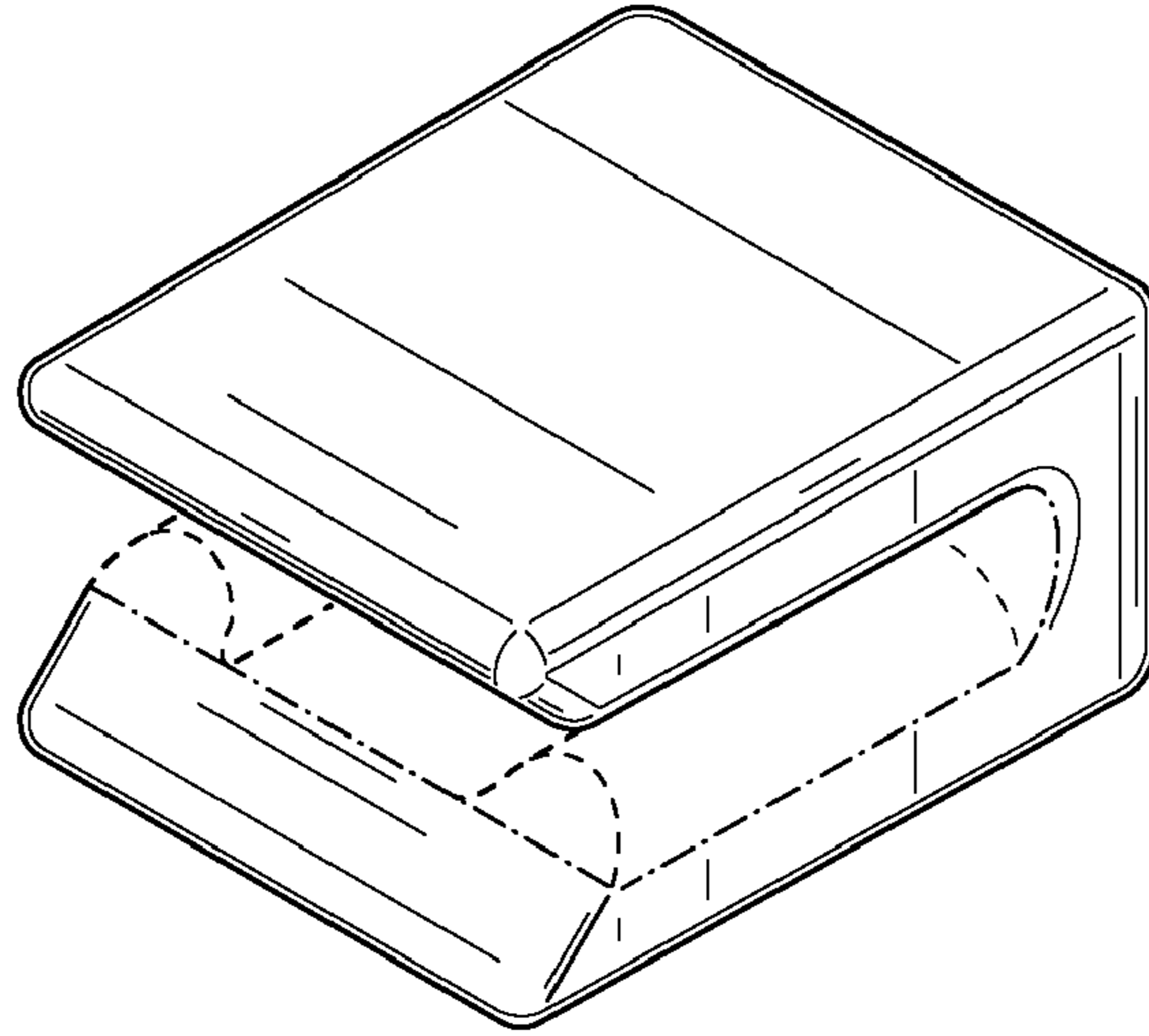


FIG. 1

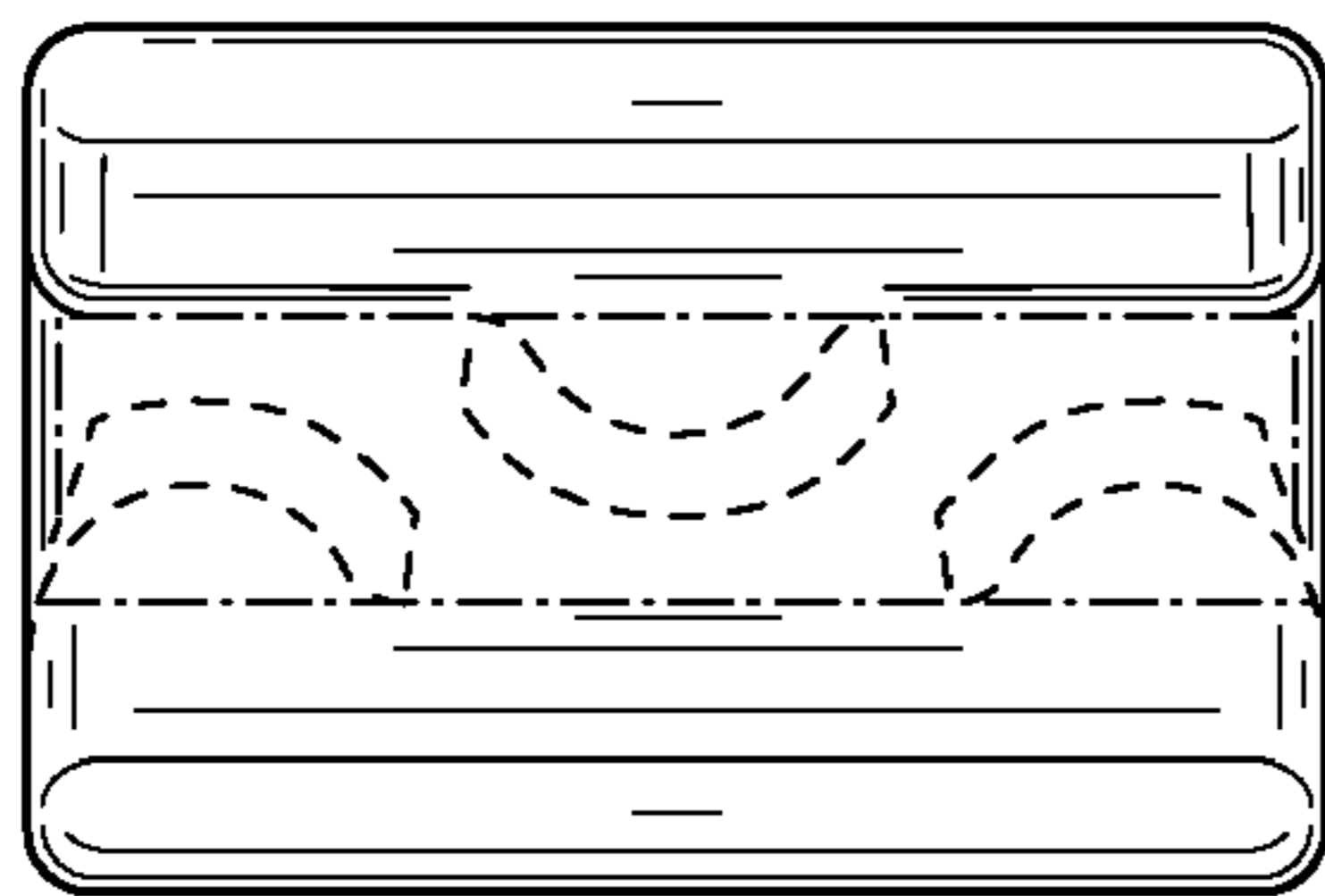


FIG. 2

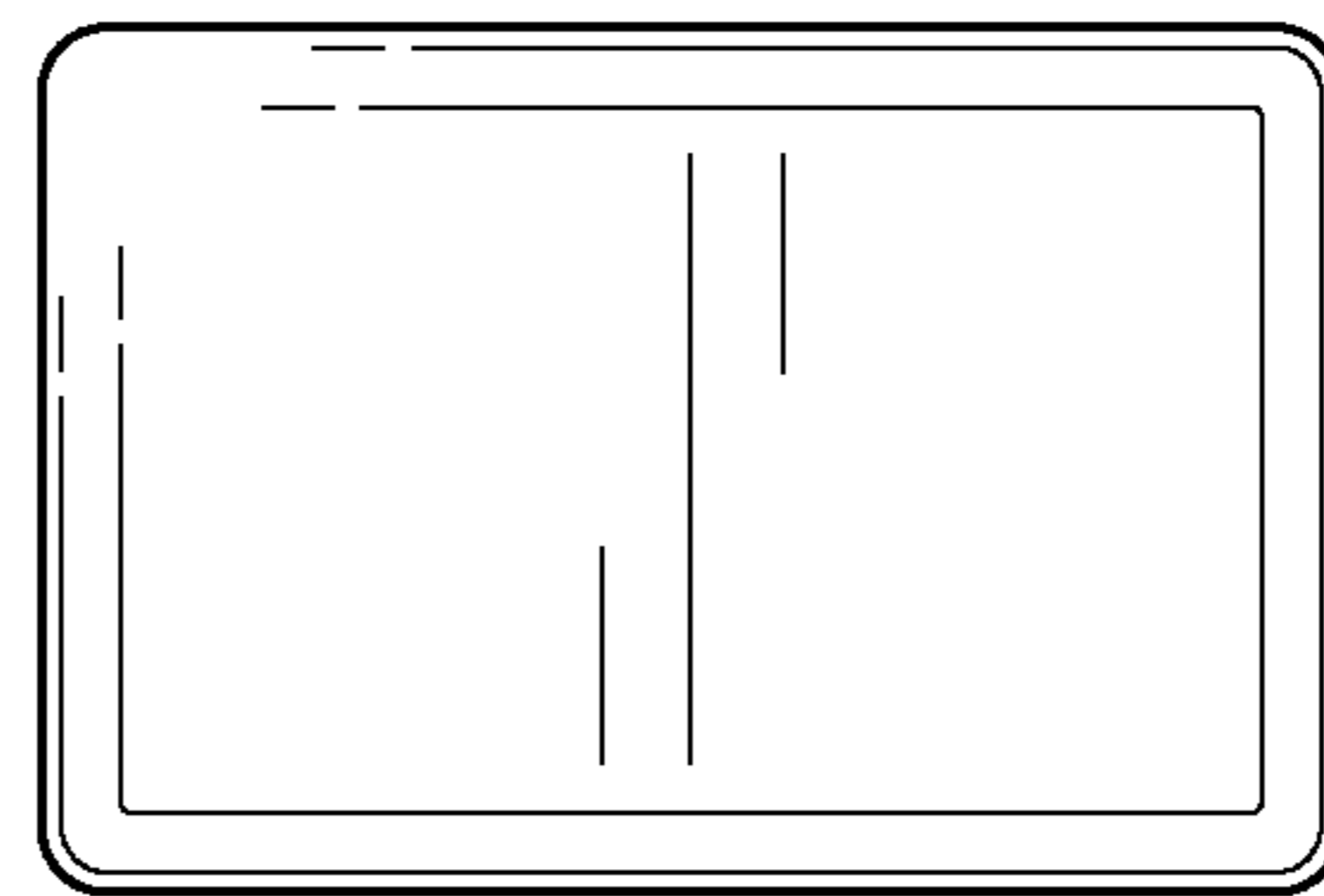


FIG. 3

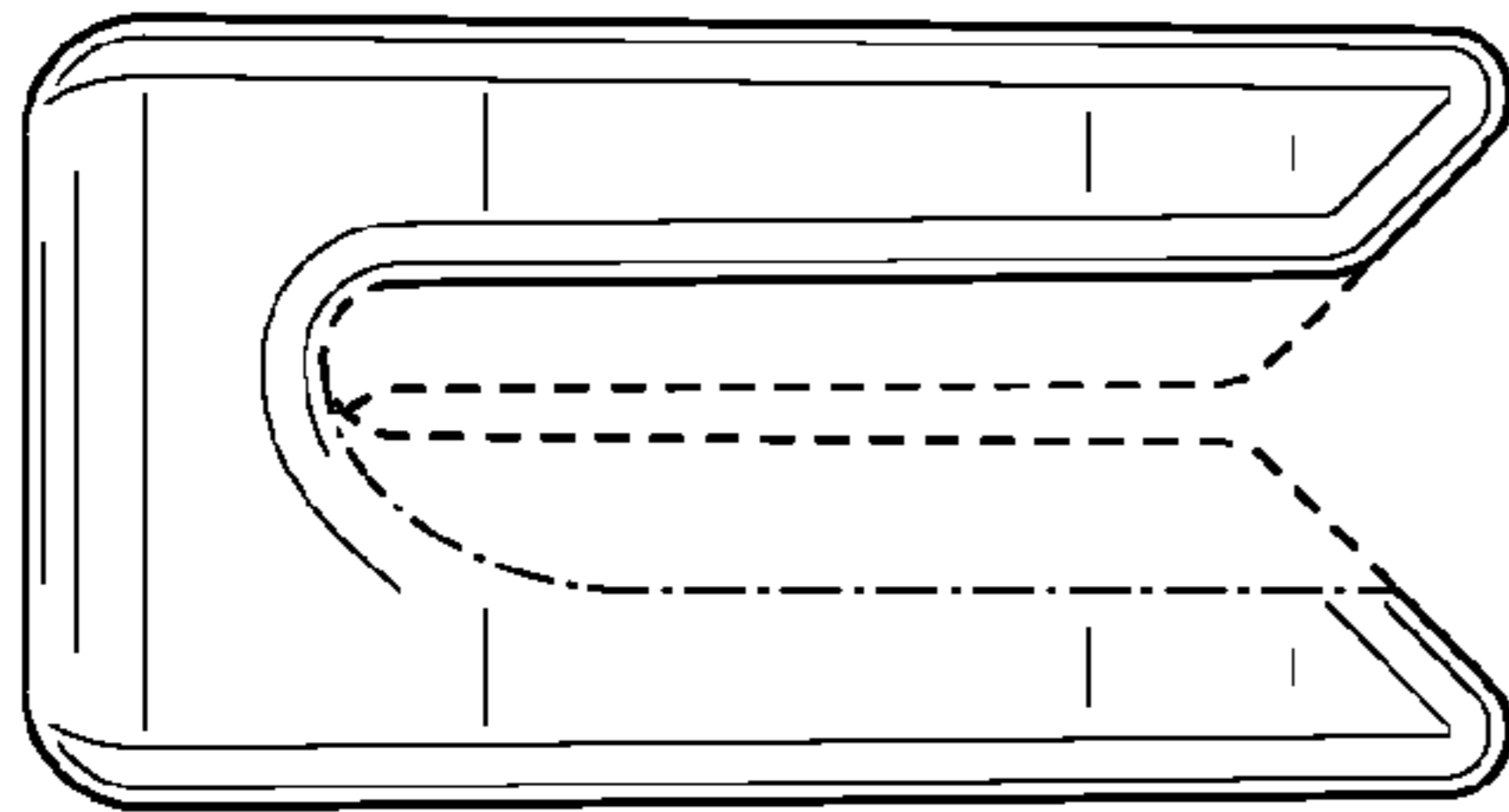


FIG. 4

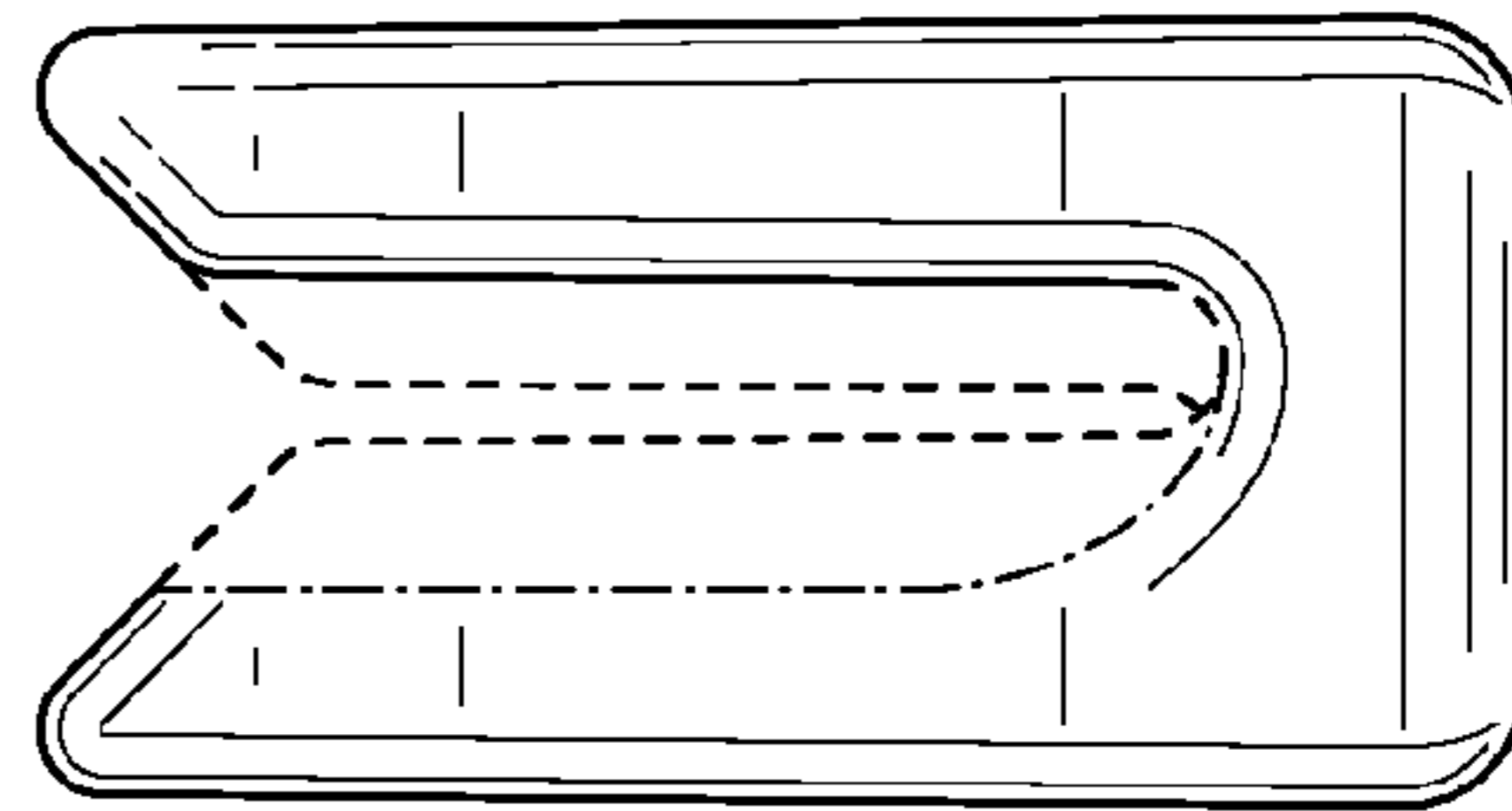


FIG. 5

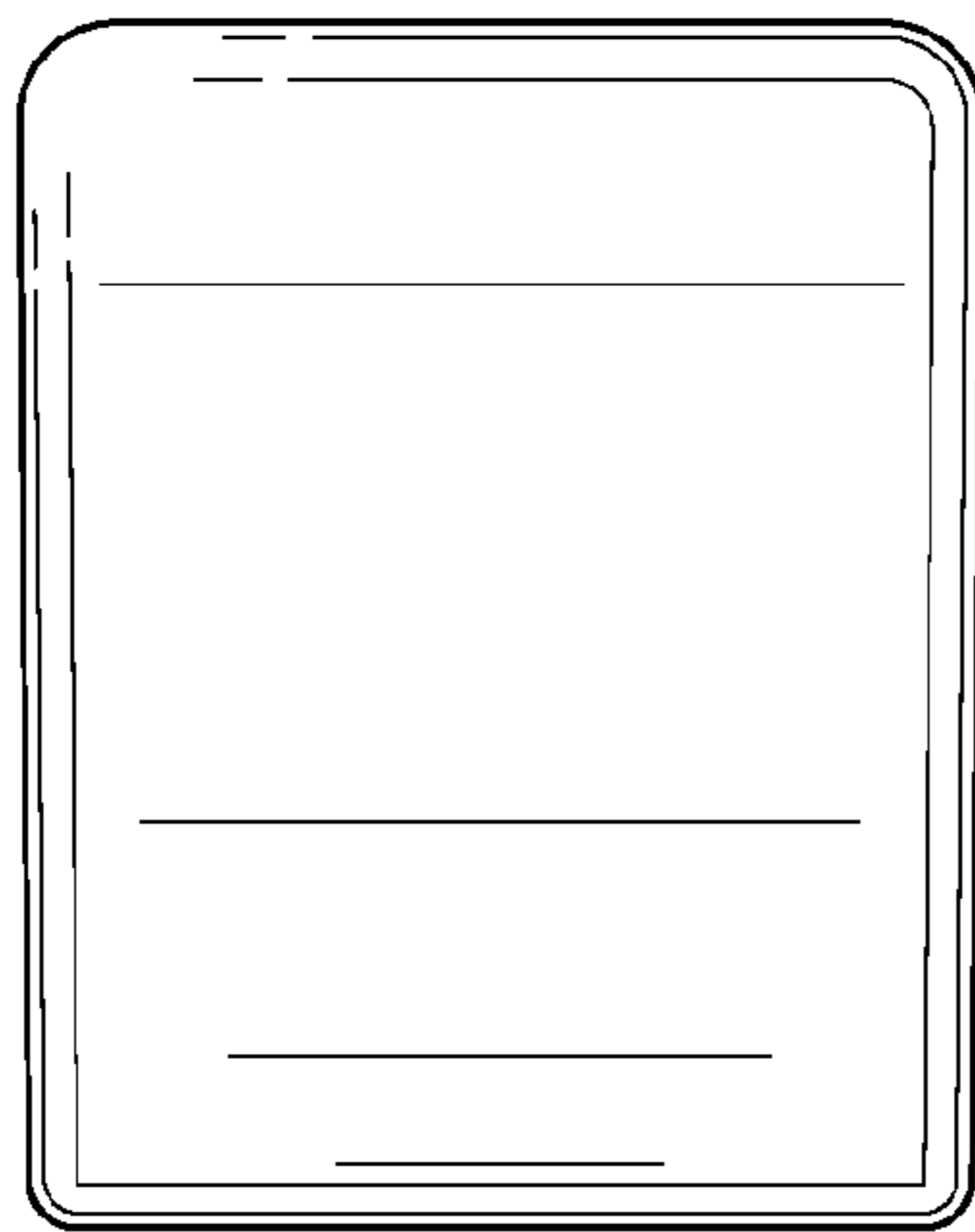


FIG. 6

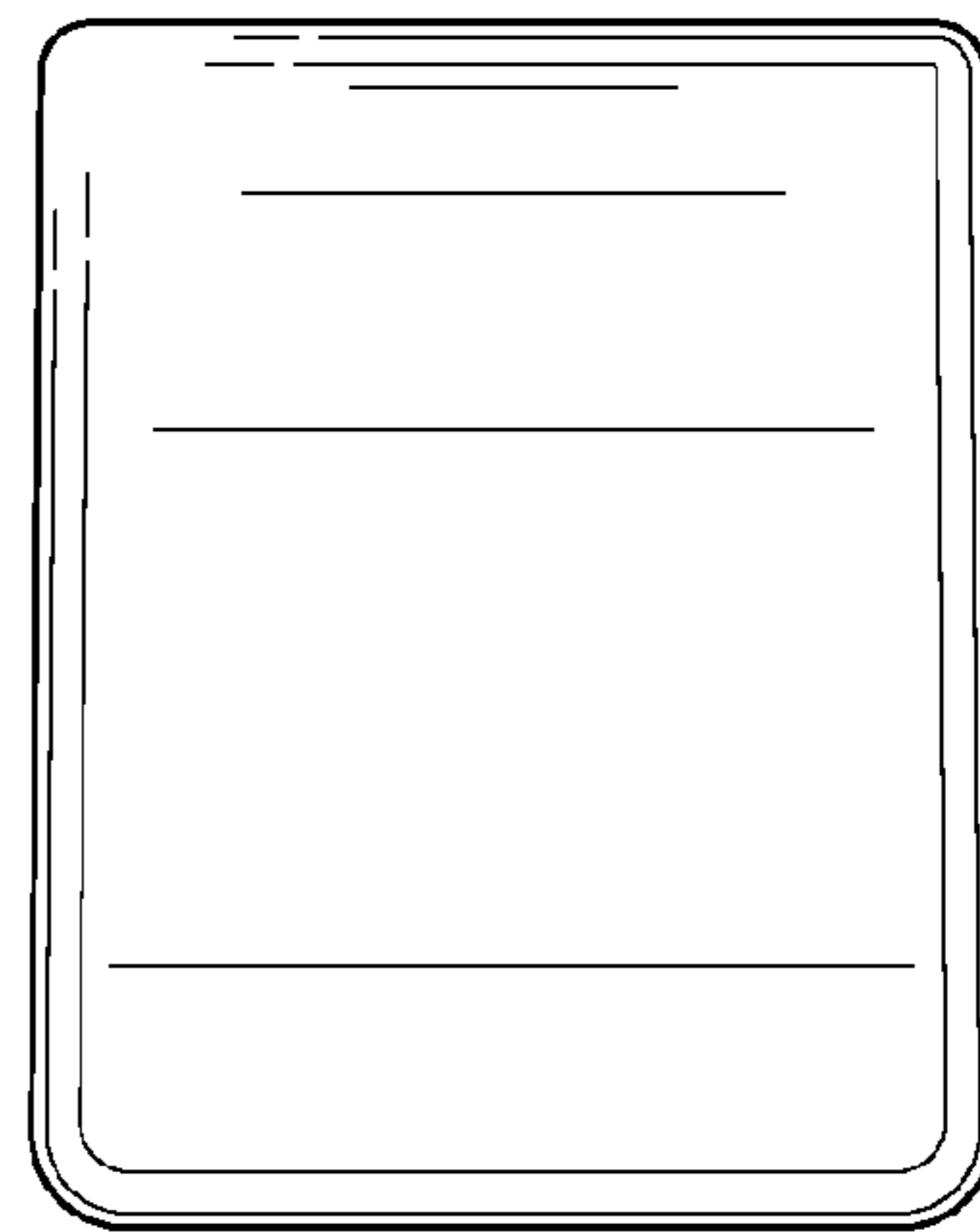


FIG. 7