



US00D657661S

(12) **United States Design Patent**
Cochrane

(10) **Patent No.:** **US D657,661 S**
(45) **Date of Patent:** **** Apr. 17, 2012**

(54) **CONNECTING MEMBER**

(75) **Inventor:** **Steven David Cochrane, Harare (ZW)**

(73) **Assignee:** **Shield Projects Limited, Iklin Ikl (MT)**

(**) **Term:** **14 Years**

(21) **Appl. No.:** **29/377,687**

(22) **Filed:** **Oct. 25, 2010**

(51) **LOC (9) Cl.** **08-08**

(52) **U.S. Cl.** **D8/382**

(58) **Field of Classification Search** D8/349,
D8/382; D25/133; 256/65.01, 65.03, 65.07,
256/65; 403/385, 391, 3, 400, 300, 305,
403/217, 403; 248/62-65, 74.1, 200.1, 262;
D23/262, 266

See application file for complete search history.

(56) **References Cited**

U.S. PATENT DOCUMENTS

D479,798 S * 9/2003 Wall D8/382
D479,983 S * 9/2003 Wall D8/382

D542,643 S * 5/2007 Heindl D8/382
D543,100 S * 5/2007 Heindl D8/382
7,413,386 B2 * 8/2008 Heindl et al. 405/279

* cited by examiner

Primary Examiner — Sheryl Lane

(74) *Attorney, Agent, or Firm* — Tutunjian & Bitetto, P.C.

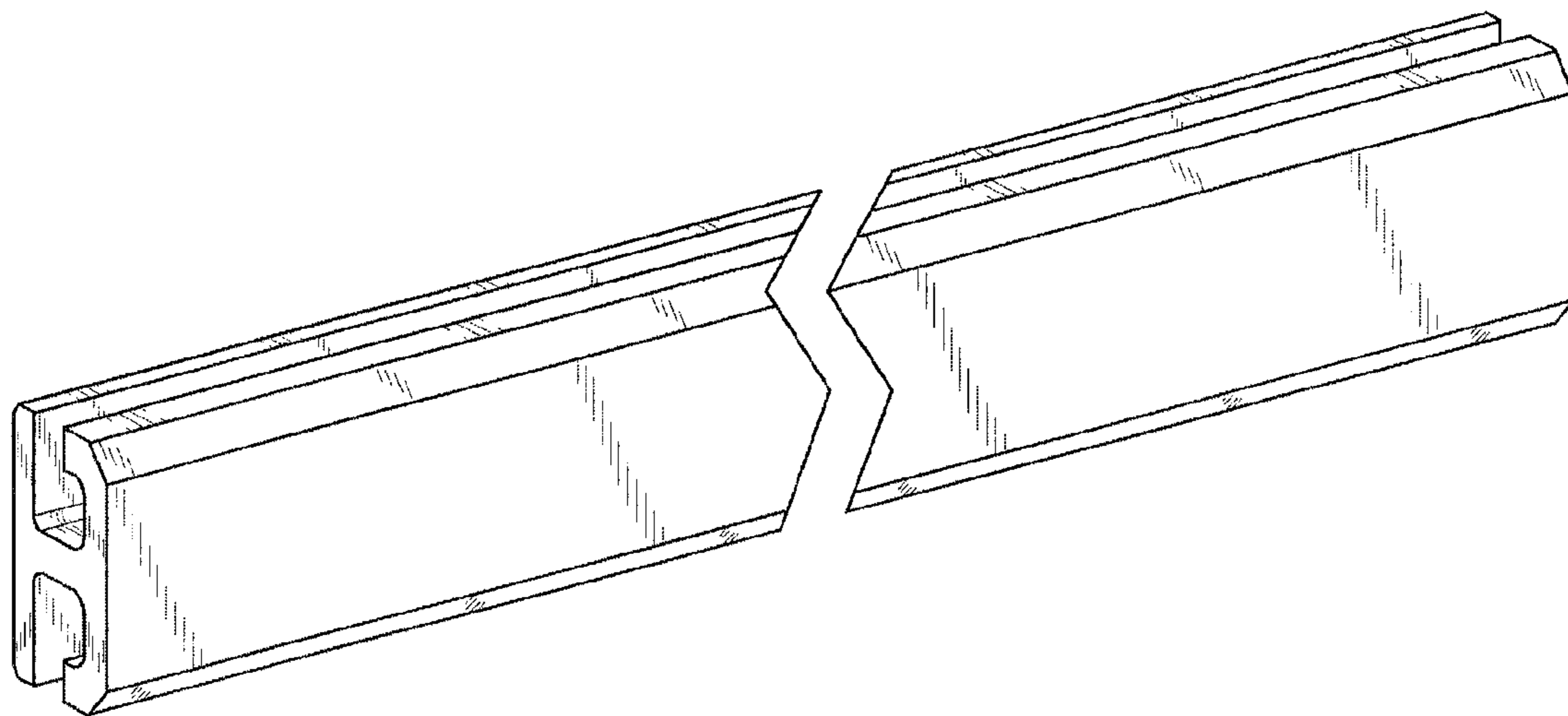
(57) **CLAIM**

The ornamental design for a connecting member, as shown and described.

DESCRIPTION

FIG. 1 is a perspective view of a connecting member according to the invention;
FIG. 2 is a plan view thereof;
FIG. 3 is an under plan view thereof;
FIG. 4 is a front view thereof;
FIG. 5 is a back view thereof;
FIG. 6 is an end view thereof; and,
FIG. 7 is an opposing end view thereof.
The connecting member is shown broken away to indicate that no particular length is claimed.

1 Claim, 2 Drawing Sheets



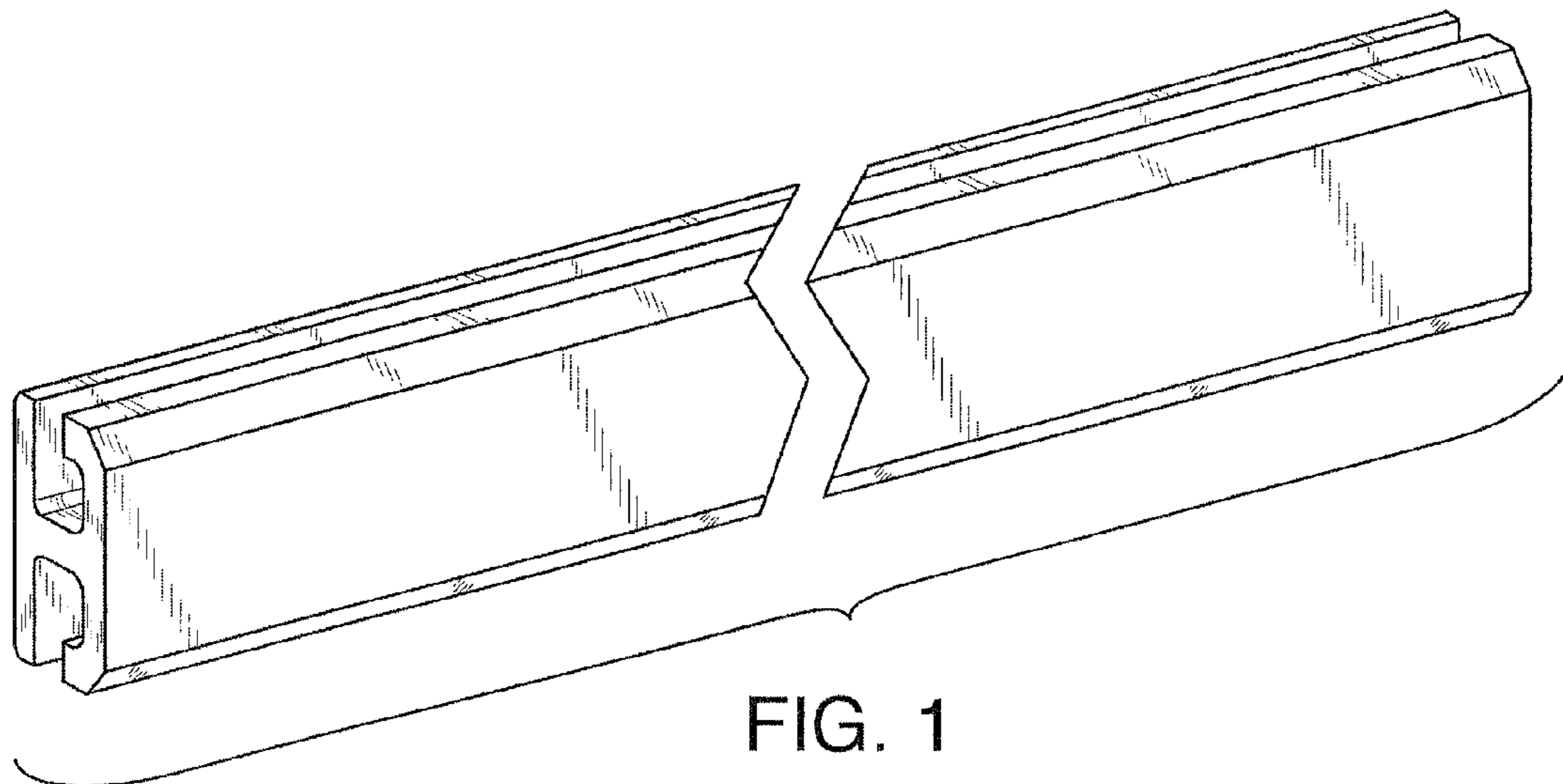


FIG. 1

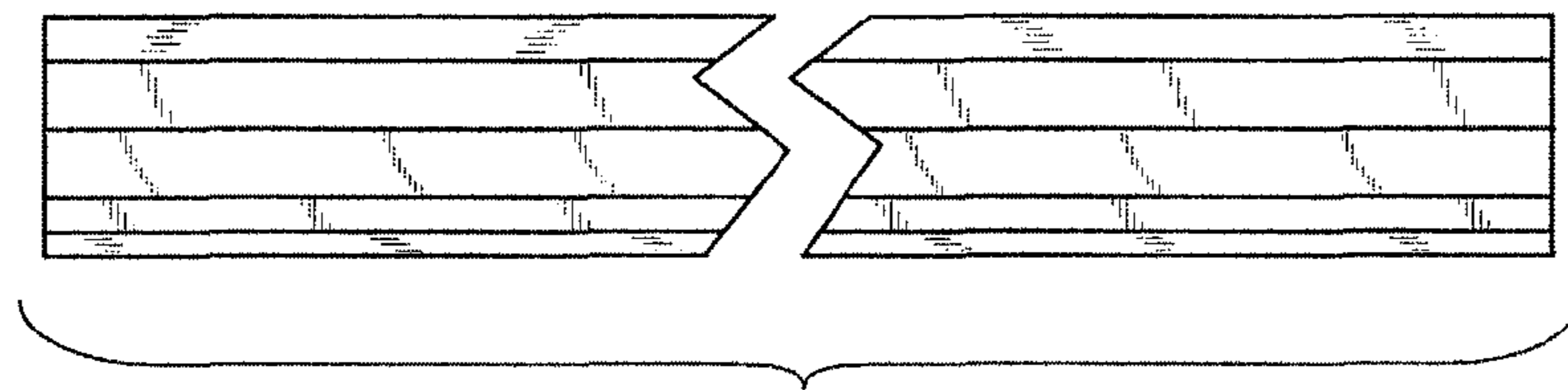


FIG. 2

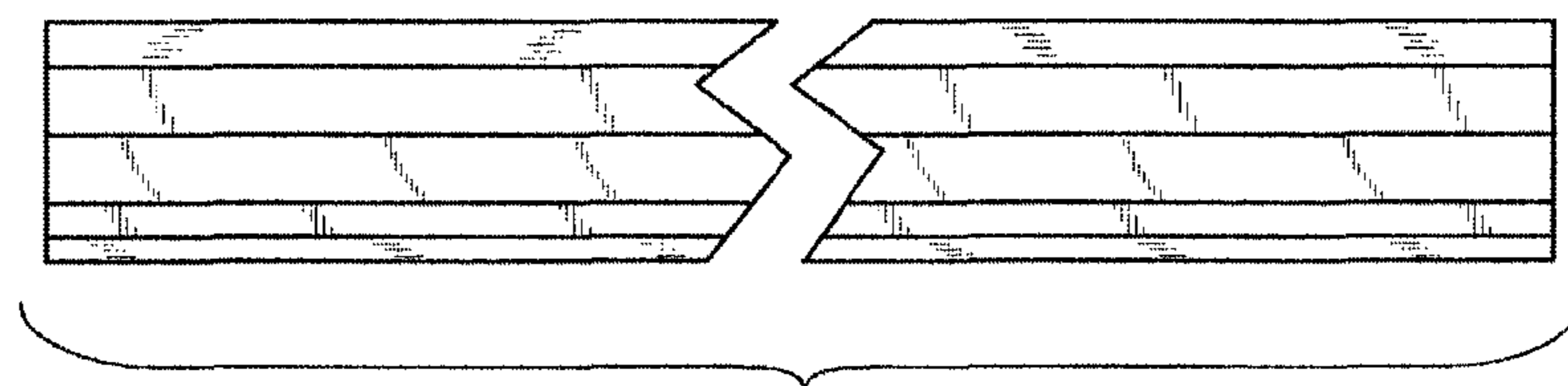


FIG. 3

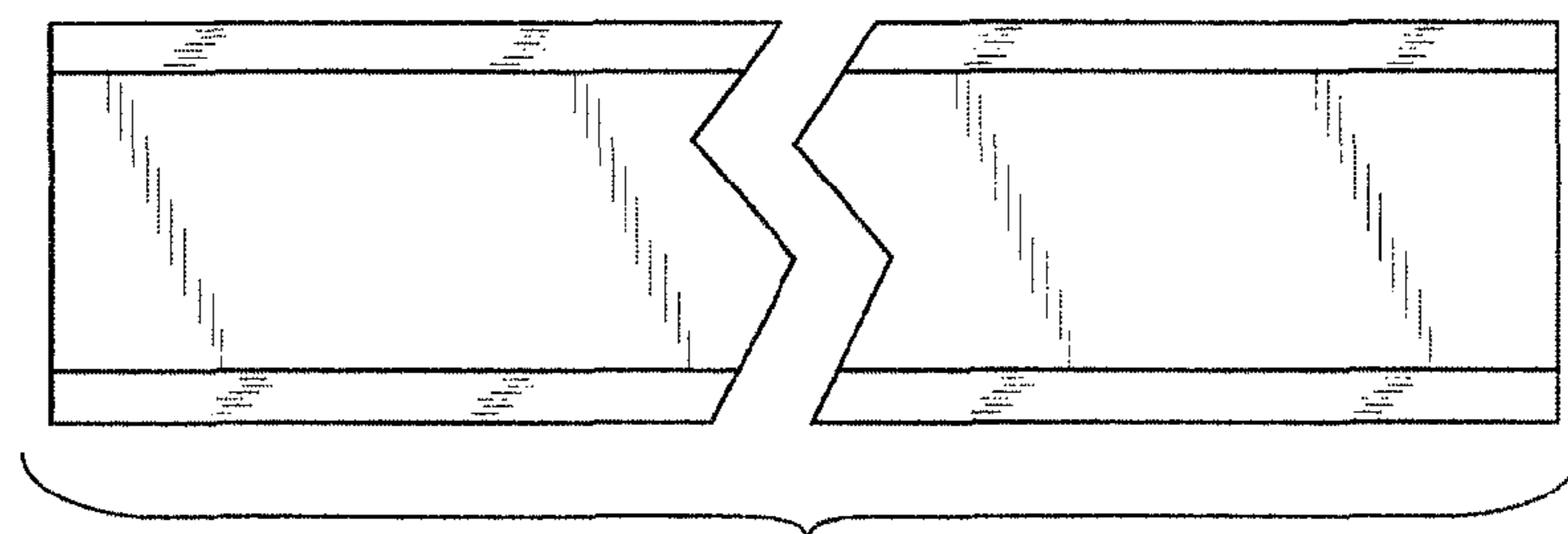


FIG. 4

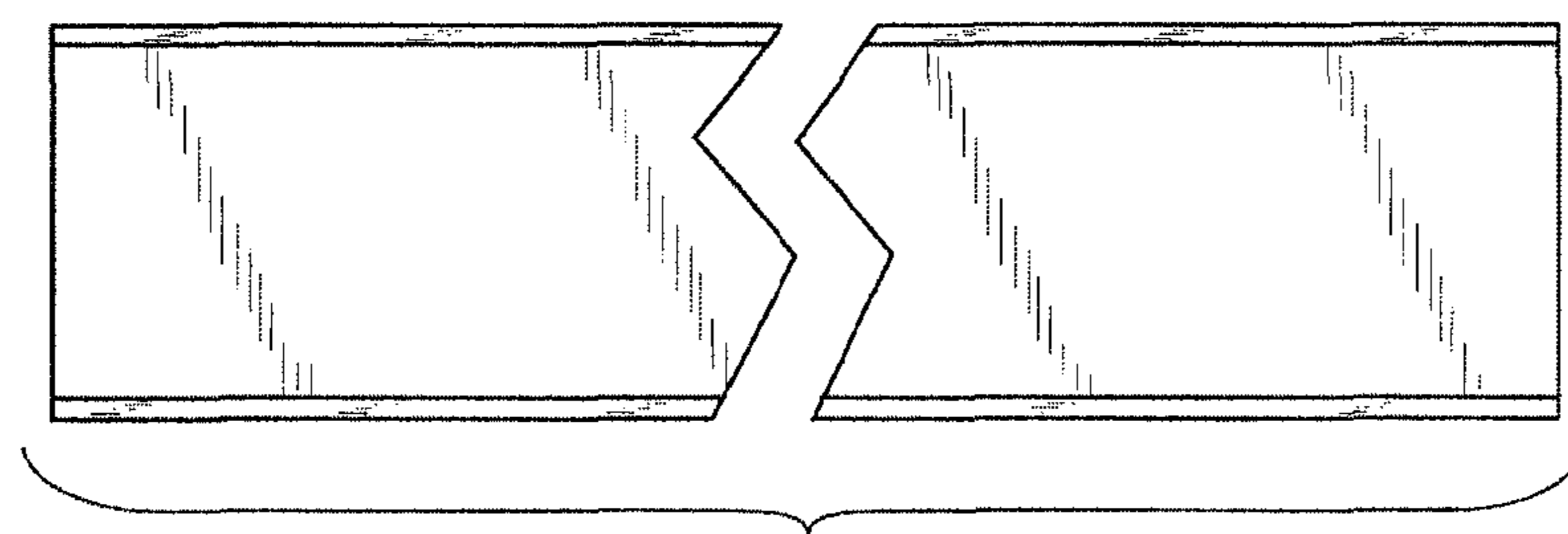


FIG. 5

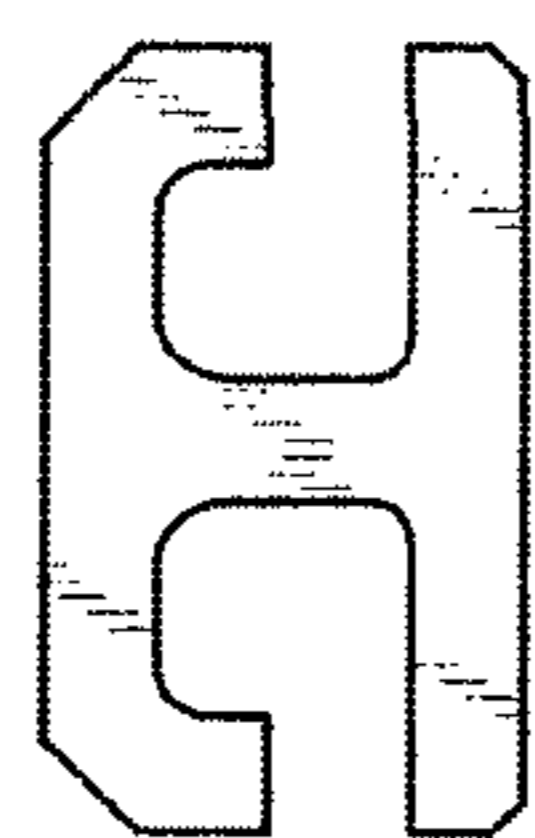


FIG. 6

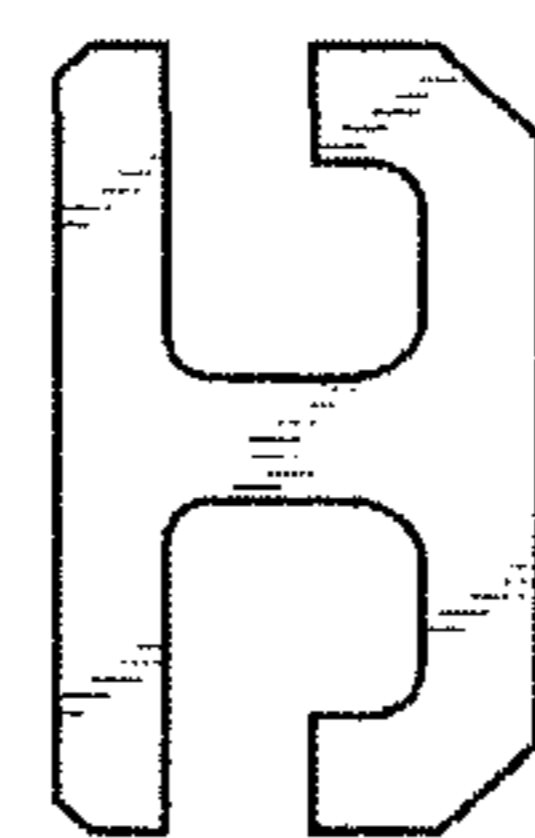


FIG. 7