



US00D657660S

(12) **United States Design Patent**
Petty et al.

(10) **Patent No.:** **US D657,660 S**
(45) **Date of Patent:** **** Apr. 17, 2012**

(54) **CARABINER**
(75) Inventors: **Clifford D. Petty**, Mooresville, IN (US);
Judd J. Perner, Red Wing, MN (US)

5,137,113 A 8/1992 Lortie
5,141,074 A 8/1992 Sulowski et al.
5,184,696 A 2/1993 Meed et al.

(Continued)

(73) Assignee: **D B Industries, Inc.**, Red Wing, MN
(US)

FOREIGN PATENT DOCUMENTS

CA 2676507 2/2010

(Continued)

(**) Term: **14 Years**

(21) Appl. No.: **29/399,560**

(22) Filed: **Aug. 16, 2011**

(51) **LOC (9) Cl.** **08-05**

(52) **U.S. Cl.** **D8/356; D8/355**

(58) **Field of Classification Search** D8/367,
D8/371, 373, 354, 349, 355, 356; D6/323;
248/215, 301, 339; 160/349.1, 349.2; 24/265 H,
24/265 R, 599.1, 599.8, 113 R, 573.5; 294/82.18;
29/525.1, 45.3; D3/24; 223/106

See application file for complete search history.

OTHER PUBLICATIONS

Buckingham Manufacturing Co. Inc., Instructions/Warnings 483/
484 Series—BuckSqueeze (Patented), 483.DOC (Rev. Jun. 22,
2010), Part #230095, 11 pages.

(Continued)

Primary Examiner — Cynthia Underwood

(74) *Attorney, Agent, or Firm* — IPLM Group, P.A.

(57) **CLAIM**

The ornamental design for a carabiner, as shown and
described.

(56) **References Cited**

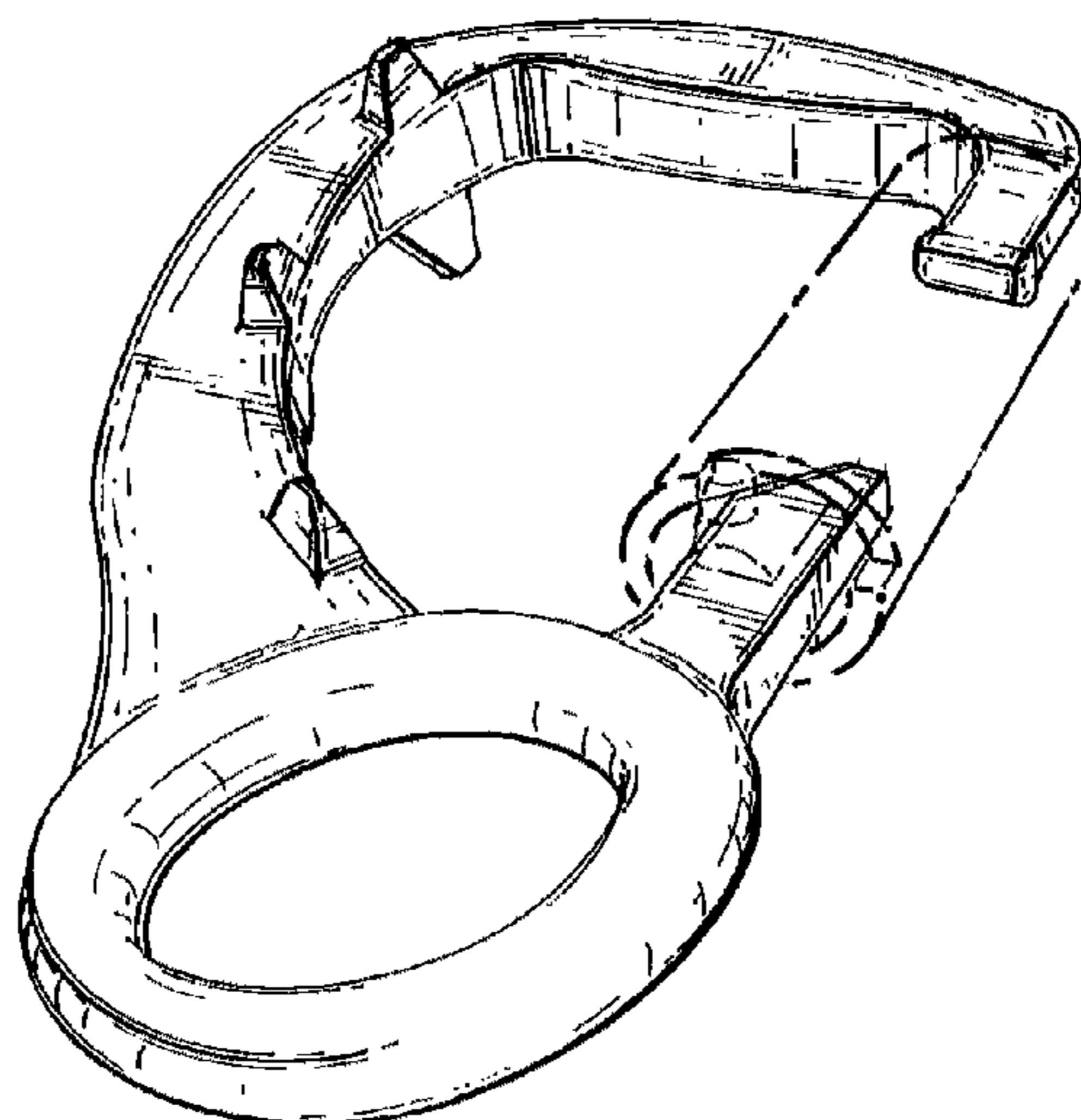
U.S. PATENT DOCUMENTS

1,802,288 A	4/1929	Strauss	
2,601,589 A	7/1951	Childers, Sr.	
2,920,714 A	1/1960	Johnson	
3,083,431 A *	4/1963	Lewis	24/599.7
3,407,898 A	10/1968	Johnson	
3,726,360 A	4/1973	Price et al.	
3,743,050 A	7/1973	Danz	
3,840,091 A	10/1974	Conlon	
4,407,391 A	10/1983	Greenway et al.	
4,527,660 A	7/1985	Andruchiw	
4,579,196 A	4/1986	Allen et al.	
4,595,078 A	6/1986	Greenway	
4,712,646 A	12/1987	Page	
4,747,468 A	5/1988	Greenway	
5,050,704 A	9/1991	Olsson	

DESCRIPTION

FIG. 1 is a left side perspective view of a carabiner con-
structed according to the principles of the present invention;
FIG. 2 is a left side view of the carabiner shown in FIG. 1;
FIG. 3 is a front view of the carabiner shown in FIG. 1;
FIG. 4 is a rear view of the carabiner shown in FIG. 1;
FIG. 5 is a top view of the carabiner; and,
FIG. 6 is bottom view of the carabiner shown in FIG. 1.
The right side is a mirror image of the left side.
The broken lines showing portions of the carabiner are for the
purpose of illustrating portions that form no part of the
claimed design.

1 Claim, 2 Drawing Sheets



U.S. PATENT DOCUMENTS

5,222,991	A	6/1993	Bell	
5,234,074	A	8/1993	Bell	
5,257,441	A *	11/1993	Barlow	24/599.5
5,338,303	A *	8/1994	King et al.	604/110
D355,583	S *	2/1995	Beauchane	D8/356
5,906,873	A	5/1999	Kim	
6,357,547	B1	3/2002	Kellog et al.	
D455,642	S *	4/2002	Kelleghan	D8/367
D466,791	S *	12/2002	Kelleghan	D8/356
6,644,438	B1	11/2003	Chang et al.	
6,752,242	B1	6/2004	Whitehead et al.	
D520,345	S *	5/2006	Kelleghan	D8/356
D521,362	S *	5/2006	Kelleghan	D8/356
7,100,738	B1	9/2006	Diggle, III et al.	
D551,788	S *	9/2007	Bao	D26/38
D564,341	S *	3/2008	Kelleghan	D8/356
D590,699	S *	4/2009	Szymanski et al.	D8/373
D595,119	S *	6/2009	Kelleghan	D8/356
D610,434	S	2/2010	Watts et al.	
7,996,962	B2 *	8/2011	Peterson	24/165
2004/0149516	A1 *	8/2004	Kwak et al.	182/5
2004/0200666	A1	10/2004	Diggle et al.	
2010/0051382	A1	3/2010	Schlieff	
2010/0078261	A1	4/2010	Watts et al.	
2010/0089694	A1	4/2010	Paul	

FOREIGN PATENT DOCUMENTS

CA	2681870	4/2010
CN	101564578	10/2009
JP	10-151214	6/1998
JP	2003-070925	3/2003
WO	WO 2008/054041	A1 5/2008

OTHER PUBLICATIONS

Buckingham Manufacturing Company, Inc., 483 D- BuckSqueeze for Distribution [online] [retrieved May 2, 2011] Retrieved from the Internet: http://www.buckinghammfg.com/index.cfm?fuseaction=product.display&product_ID=1167&CFID=2309333&CFTOKEN=79970743>, 3 pages.

Buckingham Manufacturing Company, Inc. 9-8 BuckAdjuster [online] [retrieved May 2, 2011] Retrieved from the internet: <http://www.buckinghammfg.com/index.cfm?fuseaction=product.display&product_ID=2361&ParentCat=72>, 1 page.

Buckingham Manufacturing Company, Inc. Woven Nylon Positioning Strap with Friction Buckle [online] [retrieved May 2, 2011] Retrieved from the internet: <http://www.buckinghammfg.com/index.cfm?fuseaction=category.display&category_ID=334>, 2 pages.

Huntsville Choker image, Fall Protection in Ontario, Fall Restrict Devices for Wood Pole Climbing. Date unknown, 3 pages.

International Partial Search Report from PCT Application No. PCT/US2011/027413, mailed Jul. 14, 2011.

International Search Report for PCT/US2011/027413 mailed Sep. 9, 2011.

J.E. Lortie Jelco, Pole Choker Standard Features, The Pole Choker Specifications for Pole Choker 3, Pole Choker 4, Pole Choker 5, Pole Choker 6 [online] Date unknown, Retrieved online: sales@jelco-alubox.com>, 2 pages.

Jelco Co. Ltd., Pole Choker™ 5 [online] [retrieved May 2, 2011] Retrieved from the internet: <<http://www.jelco.ca/en/index.php>>, 2 pages.

Klein Tools-Pole Master™, Lineman's Climbing Equipment & Harnesses, FPD-5295, [online], [retrieved May 2, 2011] Retrieved from the Internet: [http://www.service.kleintools.com/cgi-bin/lansaweb?procfun+KD01+KD01025+PRD+ENG+FUNCPARMS+KD01YY CTN\(P0020\):2+KD01YYPRD\(A0150\):FPD-5295](http://www.service.kleintools.com/cgi-bin/lansaweb?procfun+KD01+KD01025+PRD+ENG+FUNCPARMS+KD01YY CTN(P0020):2+KD01YYPRD(A0150):FPD-5295)>, 1 page.

Petzl Lanyards and Energy Absorbers, Grillon Hook [online] [retrieved May 2, 2011] Retrieved from the internet: <<http://www.petzl.com/en/pro/lanyards-and-energy-absorbers>>, 3 pages.

Scepter, SPS—2000 PoleShark [online] [retrieved May 2, 2011] Retrieved from the internet: <http://www.poleshark.com/products/sps_2000>, 2 pages.

Scepter, Instructions on how to properly use your PoleShark 3000 [online] [retrieved May 2, 2011] Retrieved from the internet: <<http://www.poleshark.com/instructions/>>, 1 page.

* cited by examiner

FIG.1

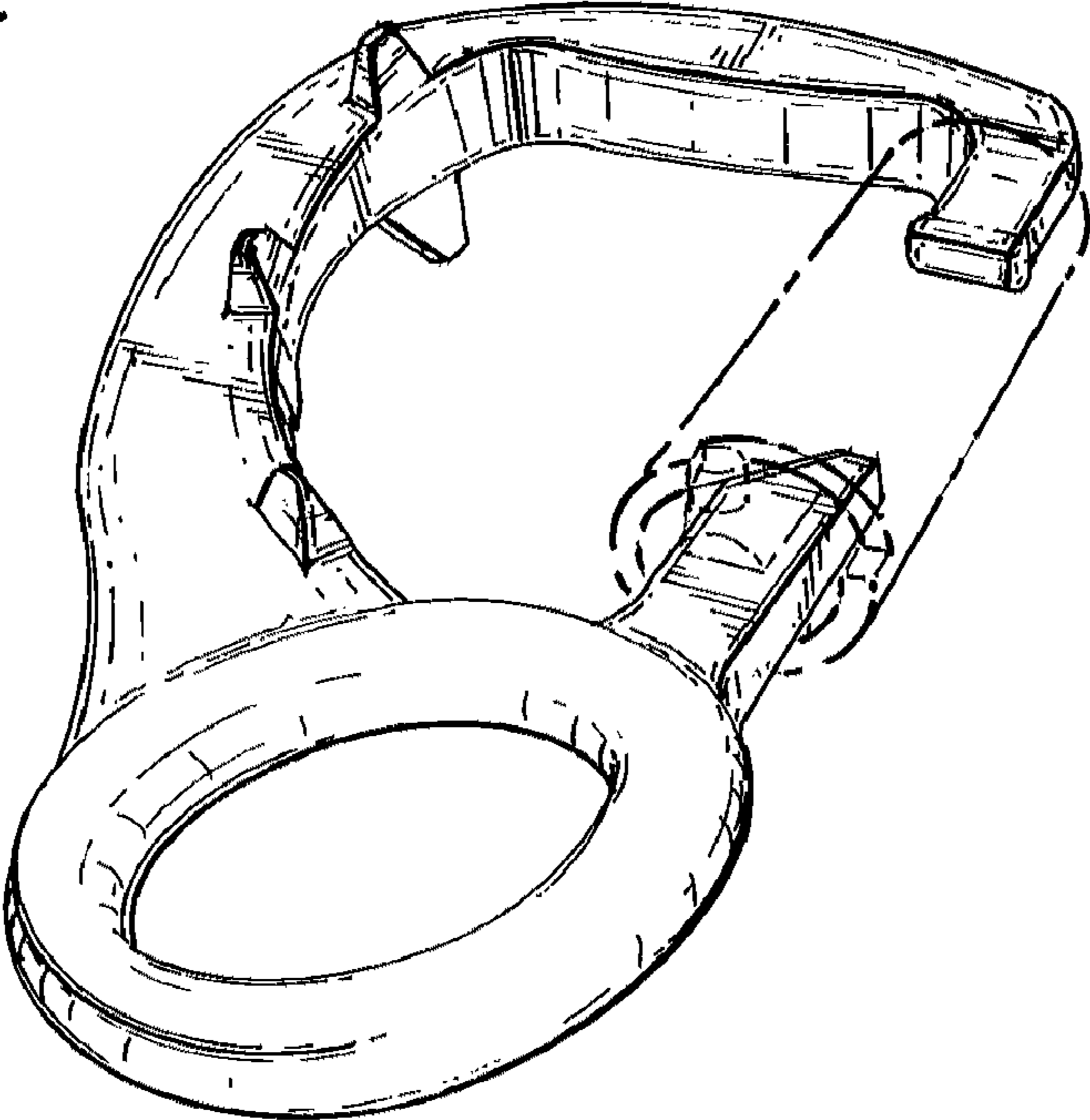


FIG. 2

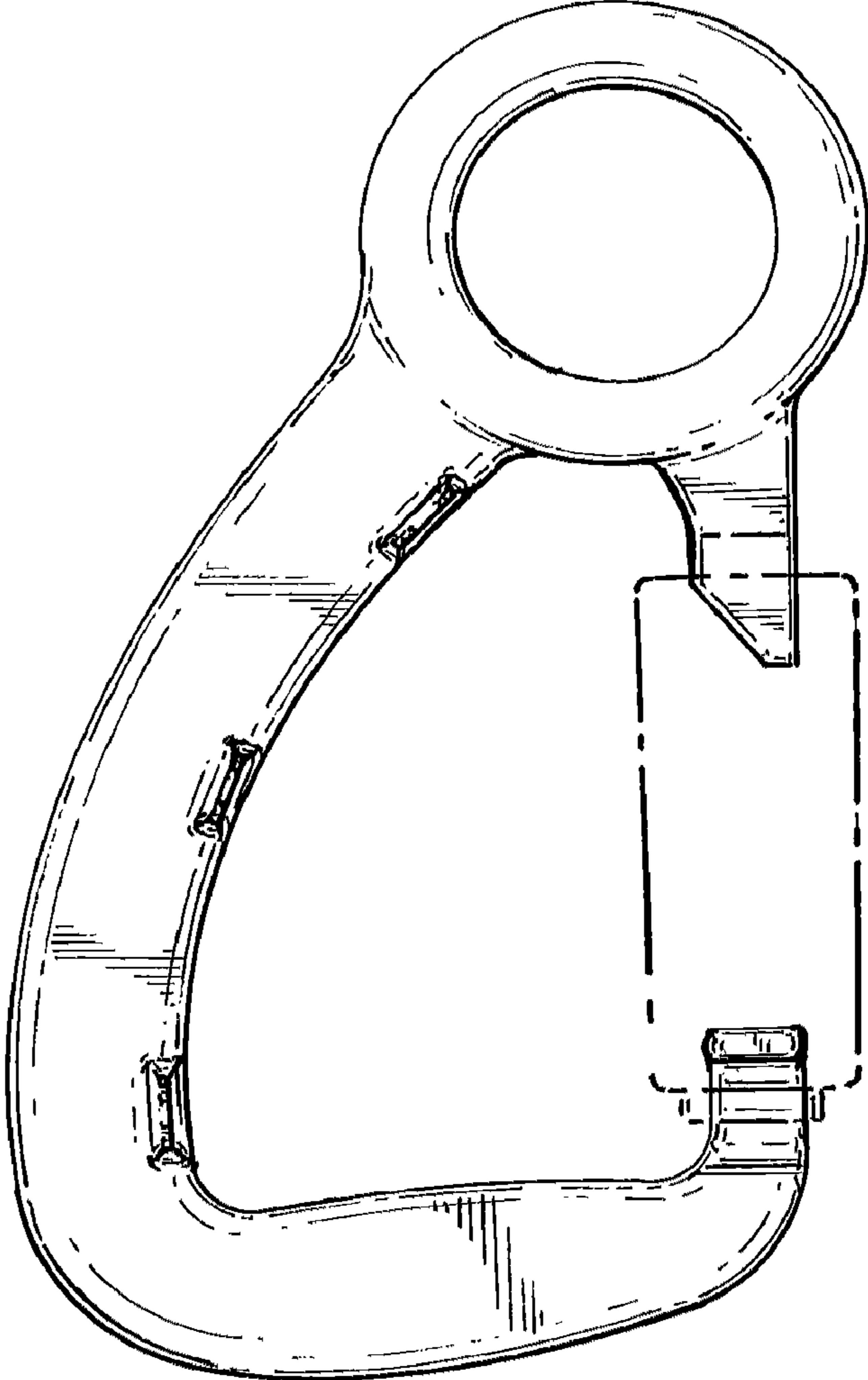


FIG. 3

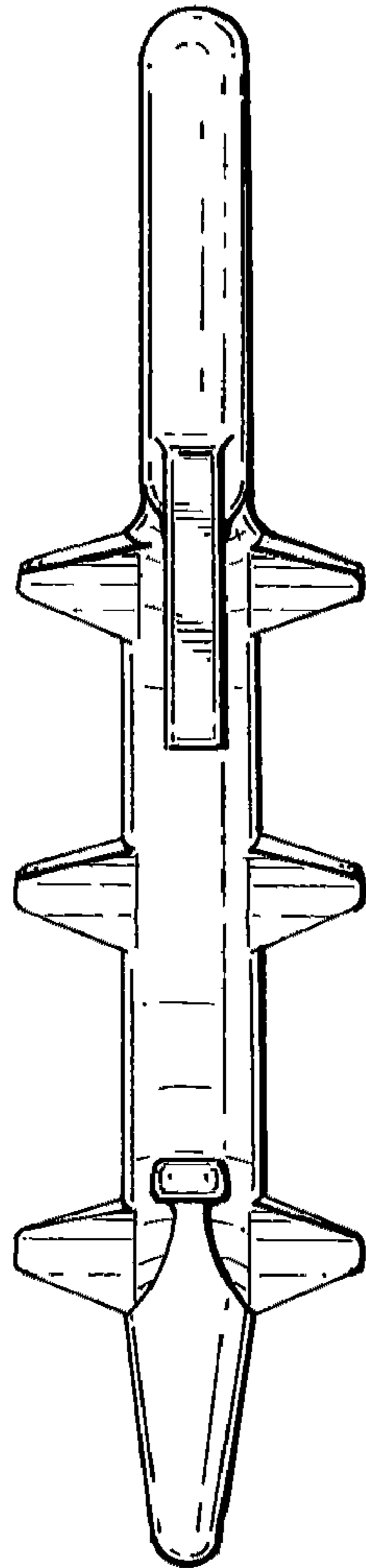


FIG. 4

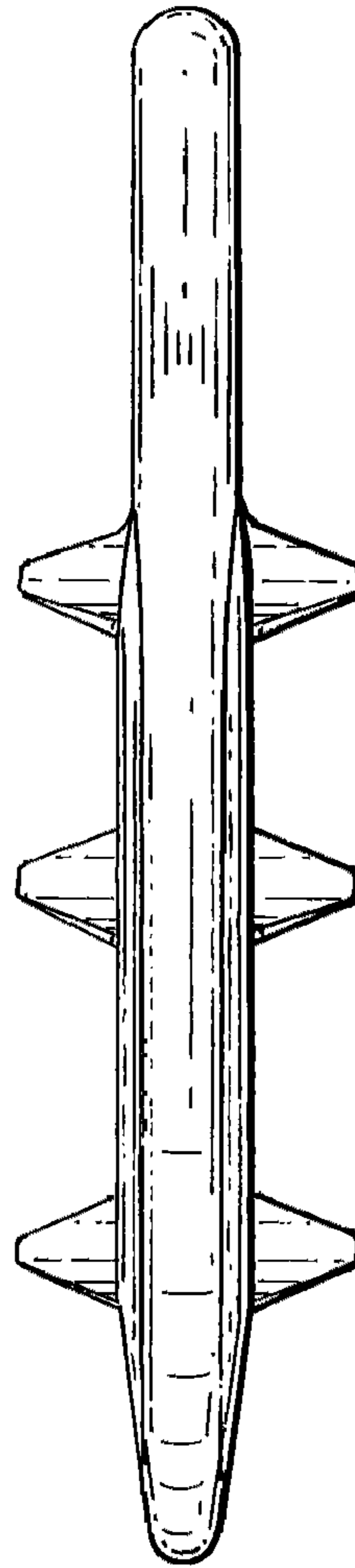


FIG. 5

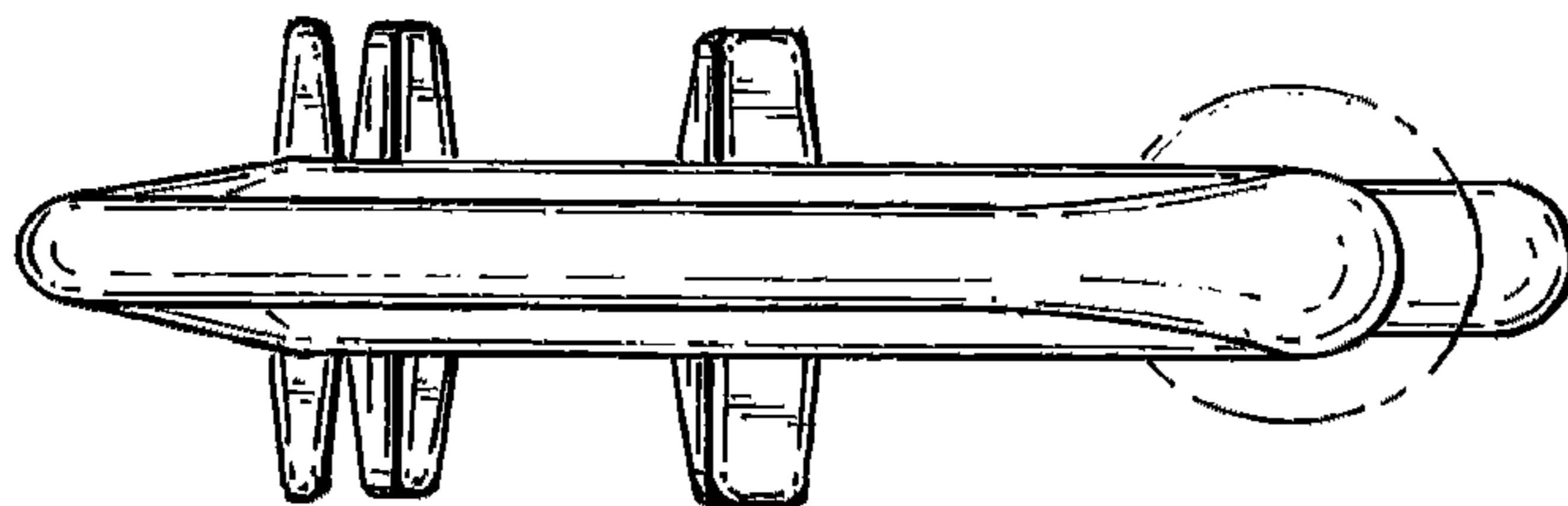
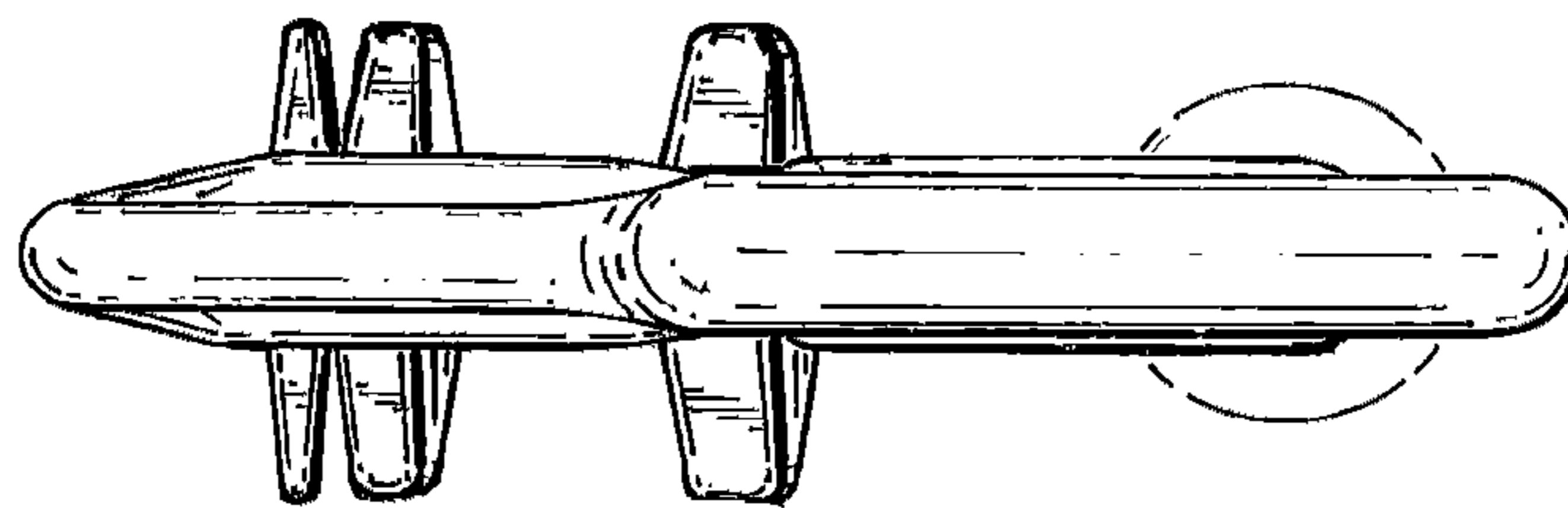


FIG. 6