



US00D657659S

(12) **United States Design Patent**
Bucci

(10) **Patent No.:** **US D657,659 S**
(45) **Date of Patent:** **** Apr. 17, 2012**

(54) **DEVICE FOR SUPPORTING AN OBJECT**

(56) **References Cited**

(76) Inventor: **Michael Bucci**, Glen Allen, VA (US)

U.S. PATENT DOCUMENTS

(**) Term: **14 Years**

(21) Appl. No.: **29/396,375**

(22) Filed: **Jun. 29, 2011**

700,049 A	5/1902	Hover
1,053,873 A	2/1913	Reenstierna
1,216,840 A	2/1917	Ramsey et al.
1,522,306 A	1/1925	Lewis
1,743,834 A	1/1930	Stimson
1,858,410 A	5/1932	Morey
2,211,110 A	8/1940	Freiler
2,483,734 A	10/1944	Neal
2,549,189 A	4/1951	Gabo
2,800,099 A	7/1957	Baker
2,808,803 A	10/1957	Weig
2,843,971 A	7/1958	Gardellin
3,173,218 A	3/1965	McAlister
D206,635 S	1/1967	Walter
3,565,442 A	2/1971	Klein
3,608,906 A	9/1971	Odier
3,659,360 A	5/1972	Zeischegg
3,666,607 A	5/1972	Weissman
3,779,554 A	12/1973	Brix
3,782,029 A	1/1974	Bardot
3,800,735 A	4/1974	Simpson

Related U.S. Application Data

(60) Continuation of application No. 29/381,968, filed on Dec. 27, 2010, now Pat. No. Des. 642,447, which is a continuation of application No. 29/355,157, filed on Feb. 3, 2010, now Pat. No. Des. 631,729, which is a continuation of application No. 29/352,511, filed on Dec. 22, 2009, now Pat. No. Des. 613,582, which is a continuation of application No. 29/343,675, filed on Sep. 17, 2009, now Pat. No. Des. 609,077, which is a division of application No. 29/334,086, filed on Mar. 20, 2009, now Pat. No. Des. 603,245, which is a continuation-in-part of application No. 29/326,489, filed on Oct. 20, 2008, now Pat. No. Des. 602,341, which is a continuation-in-part of application No. 29/283,426, filed on Aug. 14, 2007, now Pat. No. Des. 581,251, and a continuation-in-part of application No. 29/295,012, filed on Sep. 20, 2007, now Pat. No. Des. 581,254.

(Continued)

Primary Examiner — Cynthia M Chin

(74) *Attorney, Agent, or Firm* — Brian J. Teague

(51) **LOC (9) Cl.** **08-05**

(52) **U.S. Cl.** **D8/354**

(58) **Field of Classification Search** D8/349, D8/354, 380, 382, 388, 400, 402, 499; D9/431, D9/432; D10/109, 113; D21/505, 803, 369, D21/373, 386, 388, 396; D20/10, 39-43; D1/105; 116/28 R, 63 R, 63 P, 63 T, 63 C, 116/209; 40/584, 606, 607, 608, 311, 312; 273/113, 153 P, 153 R, 153 S, 155, 157 R, 273/260; 446/69, 70, 121, 122, 125, 126; 248/346.01, 546, 694, 126, 176.1; 434/99, 434/102, 211, 403; 404/4-16; 405/21, 29; D30/106

See application file for complete search history.

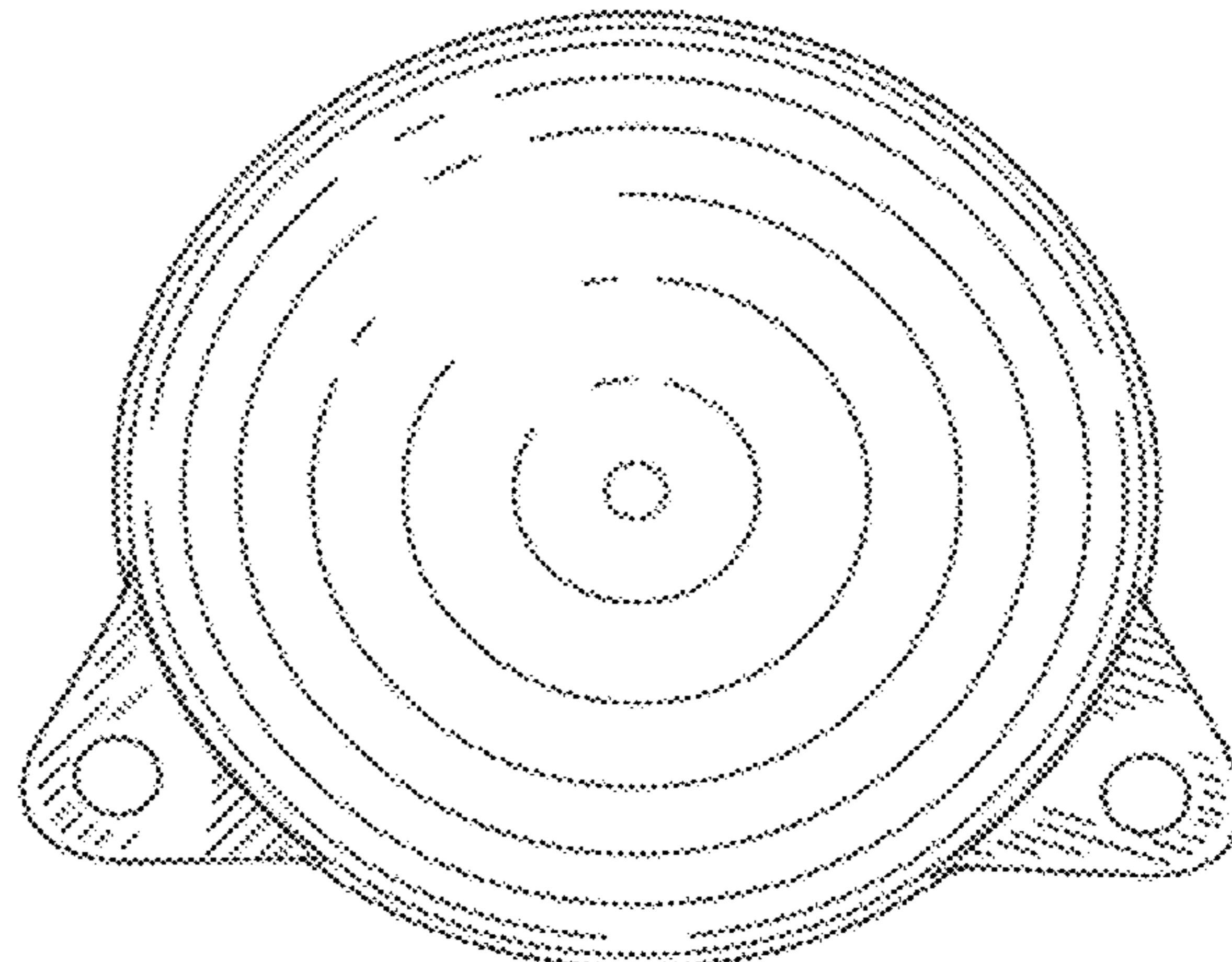
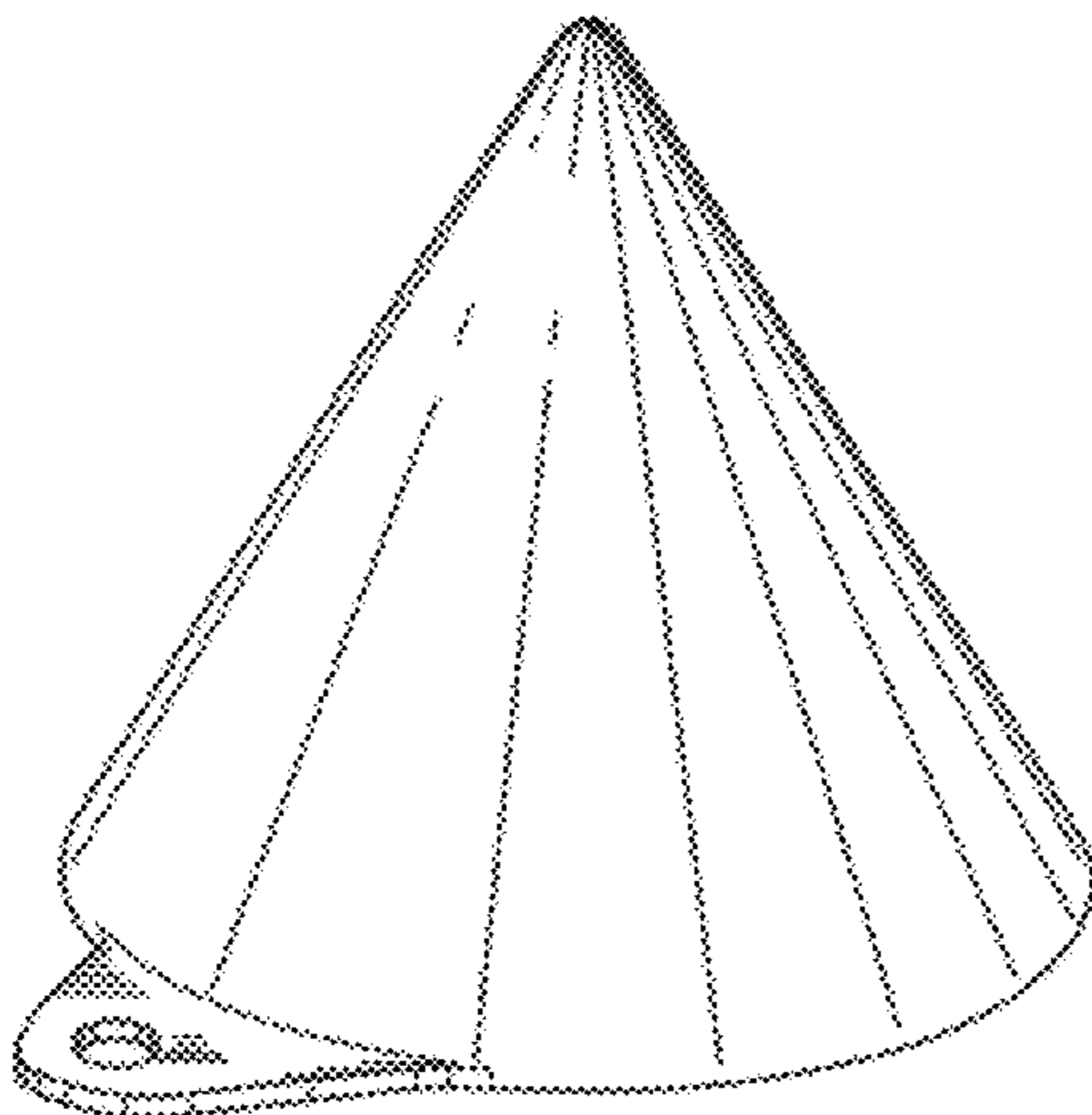
(57) **CLAIM**

I claim the ornamental design for a device for supporting an object, as shown and described.

DESCRIPTION

FIG. 1 is a perspective view of a device for supporting an object showing the new design.
FIG. 2 is a front elevational view thereof.
FIG. 3 is a rear elevational view thereof.
FIG. 4 is a top view thereof; and,
FIG. 5 is a bottom view thereof.

1 Claim, 3 Drawing Sheets



US D657,659 S

U.S. PATENT DOCUMENTS

D231,787 S	6/1974	Burnley	D373,528 S	9/1996	Ser Tuen Wei
3,840,234 A	10/1974	Felsten	5,601,645 A	2/1997	Nonomura et al.
D234,307 S	2/1975	Bowley	5,615,429 A	4/1997	Williams
D234,308 S	2/1975	Bowley	D380,538 S	7/1997	Muller et al.
3,940,100 A	2/1976	Haug	D383,864 S	9/1997	Billings
3,974,611 A	8/1976	Satterwaite	D389,550 S	1/1998	Williams
D242,640 S	12/1976	Mosher	5,769,598 A	6/1998	MacNeil
4,026,087 A	5/1977	White	5,788,933 A	8/1998	Peddicord
D245,279 S	8/1977	Hollendonner	D400,814 S	11/1998	Sheng
4,063,725 A	12/1977	Snyder	D403,981 S	1/1999	Dillard
D249,240 S	9/1978	Klitzner	5,895,304 A	4/1999	Dixon
D250,174 S	11/1978	Hedgecock	D409,687 S	5/1999	Mak
D250,687 S	1/1979	Robelen	5,945,161 A	8/1999	Hashimoto et al.
4,159,112 A	6/1979	O'Brian et al.	5,947,786 A	9/1999	Glick
D261,373 S	10/1981	Fisher	D417,314 S	11/1999	Smith, Jr.
D262,901 S	2/1982	Vukadinovic	D417,329 S	11/1999	Ramadei
D263,255 S	3/1982	Zima	D423,342 S	4/2000	Popesco
4,317,654 A	3/1982	Wahl	6,224,453 B1	5/2001	McKinley et al.
4,323,245 A	4/1982	Beaman	D443,900 S	6/2001	Eklund
4,345,761 A	8/1982	China	6,247,424 B1	6/2001	Huang
4,354,288 A	10/1982	Dennis	D444,728 S	7/2001	Dohrmann
D267,588 S	1/1983	Goodell	D445,721 S	7/2001	McLeish et al.
D268,315 S	3/1983	Kirk	D447,973 S	9/2001	Dohrmann
D272,841 S	2/1984	Matsumoto	6,425,646 B1	7/2002	Andrews
D273,095 S	3/1984	Schulze	D478,194 S	8/2003	McGinty
4,461,480 A	7/1984	Mitchell	D482,111 S	11/2003	Laferriere et al.
D275,889 S	10/1984	Nelson	D483,200 S	12/2003	Udommahuntisuk
D276,773 S	12/1984	Rodriguez	D493,198 S	7/2004	Starkel
4,558,866 A	12/1985	Alford	D504,315 S	4/2005	Lee
4,761,137 A	8/1988	Taylor et al.	6,921,314 B2	7/2005	Miller
4,848,263 A	7/1989	Grimm	6,931,812 B1	8/2005	Lipscomb
D305,343 S	1/1990	Epperson et al.	6,976,768 B2	12/2005	Hewson
4,934,701 A	6/1990	Ting	D514,463 S	2/2006	Levine
D310,497 S *	9/1990	Provence, Jr. D10/113.2	D514,971 S	2/2006	Burch et al.
D314,018 S	1/1991	Rosenthal	D515,683 S	2/2006	LaBlaine
D315,186 S	3/1991	Peterson	7,047,681 B2	5/2006	Perelli et al.
D315,773 S	3/1991	Peterson	D522,348 S	6/2006	Hansen
5,080,526 A	1/1992	Waters	D522,898 S *	6/2006	Yarski et al. D10/113.2
D325,168 S	4/1992	Dlabac	D529,377 S	10/2006	Heiss
D325,615 S	4/1992	Matsch	D551,116 S	9/2007	Devory, Jr.
5,184,822 A	2/1993	Bognar et al.	D562,915 S	2/2008	Davis
5,199,375 A	4/1993	Johson	D569,076 S	5/2008	Lebrand
5,259,695 A	11/1993	Mostkoff	D574,293 S	8/2008	Devory, Jr.
5,297,012 A	3/1994	Fletcher	D574,440 S	8/2008	Goodrich
D349,117 S	7/1994	Rasansky et al.	D578,379 S	10/2008	Sorkin
D350,838 S *	9/1994	Johnson D29/125	D579,369 S	10/2008	Spataro
D351,623 S	10/1994	Seiler	D597,432 S	8/2009	Auberger
5,354,224 A	10/1994	Ishiyama	D618,738 S	6/2010	Bodin et al.
5,375,845 A	12/1994	Cooter et al.	D630,265 S	1/2011	Bodin et al.
5,400,998 A	3/1995	Ma	2004/0159280 A1	8/2004	Mohelsky et al.
5,407,201 A	4/1995	Whitehurst	2005/0014112 A1	1/2005	Fentress
D359,587 S	6/1995	Ross	2006/0157544 A1	7/2006	Chomic, Jr. et al.
D367,119 S	2/1996	Trunk	2009/0241855 A1	10/2009	Stocki
D367,384 S	2/1996	DiFranco et al.			

* cited by examiner

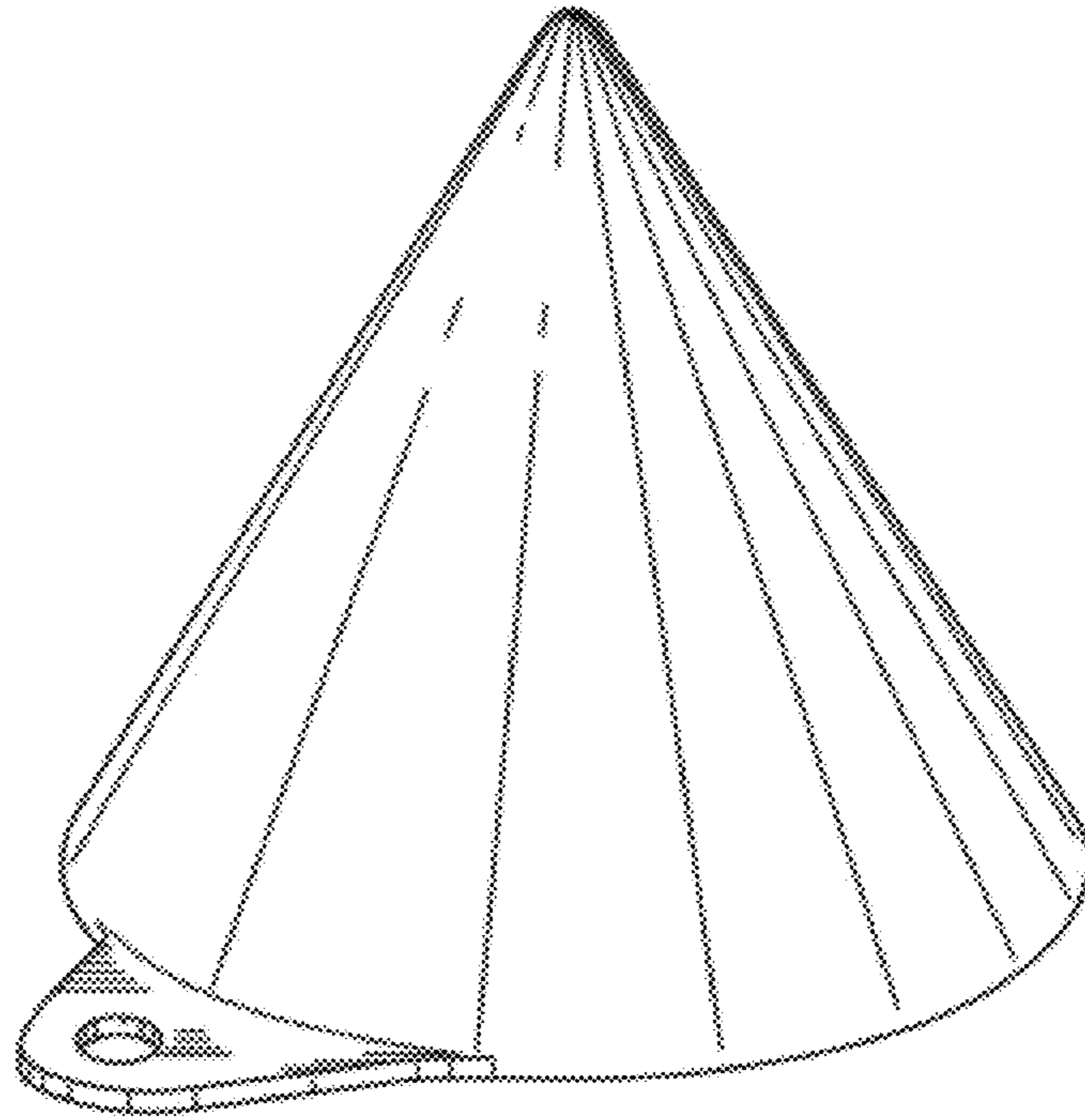


FIG. 1

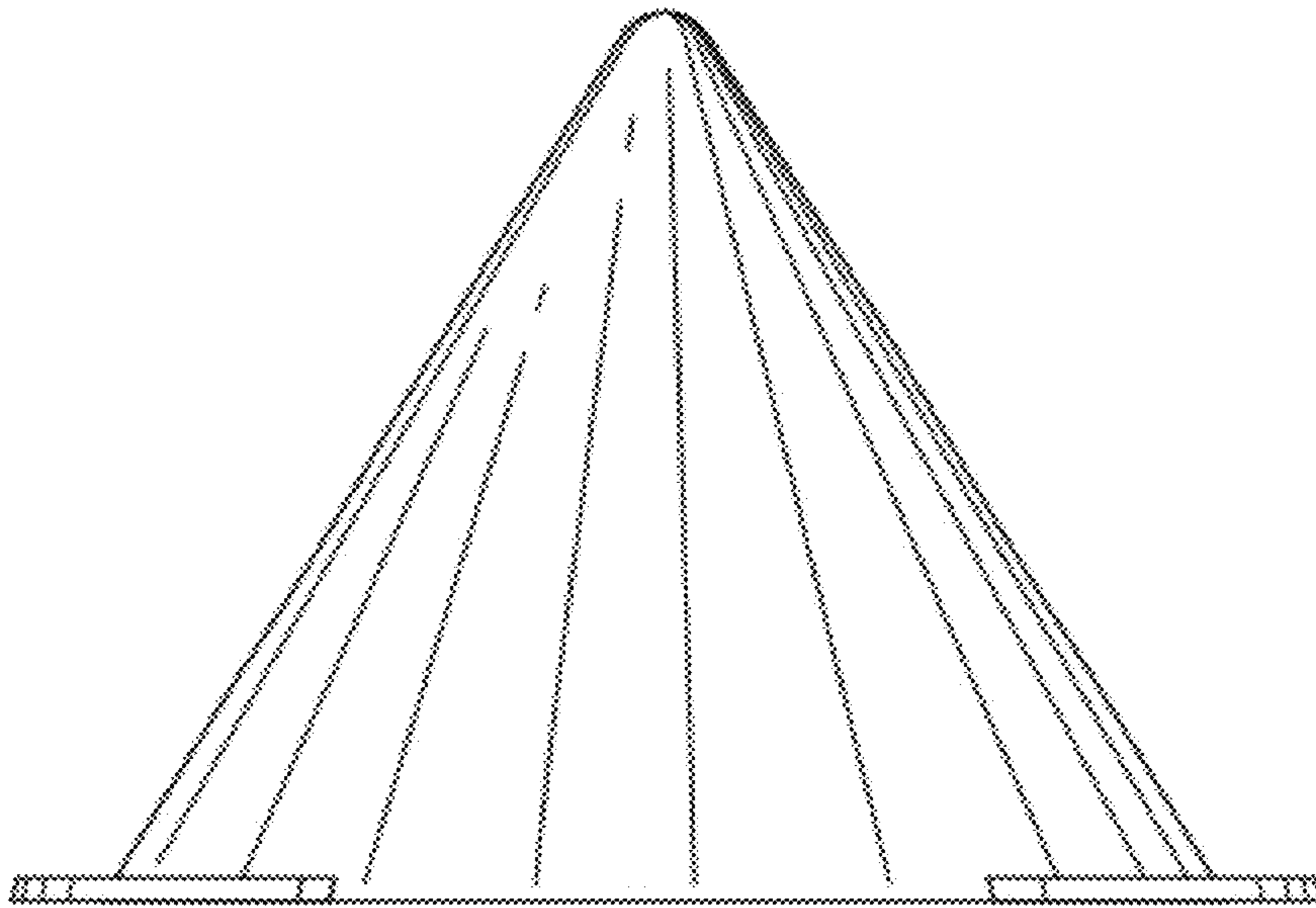


FIG. 2

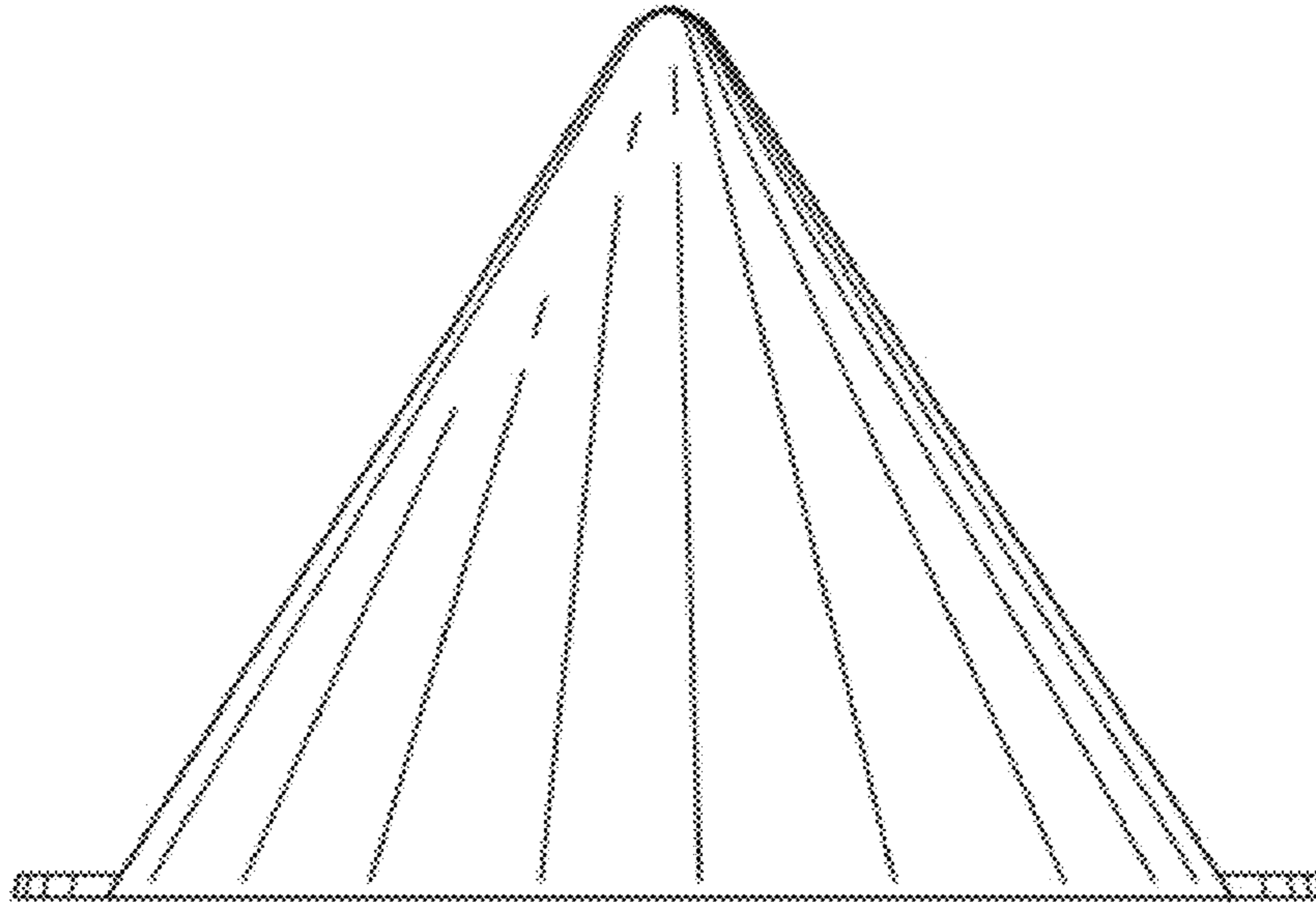


FIG. 3

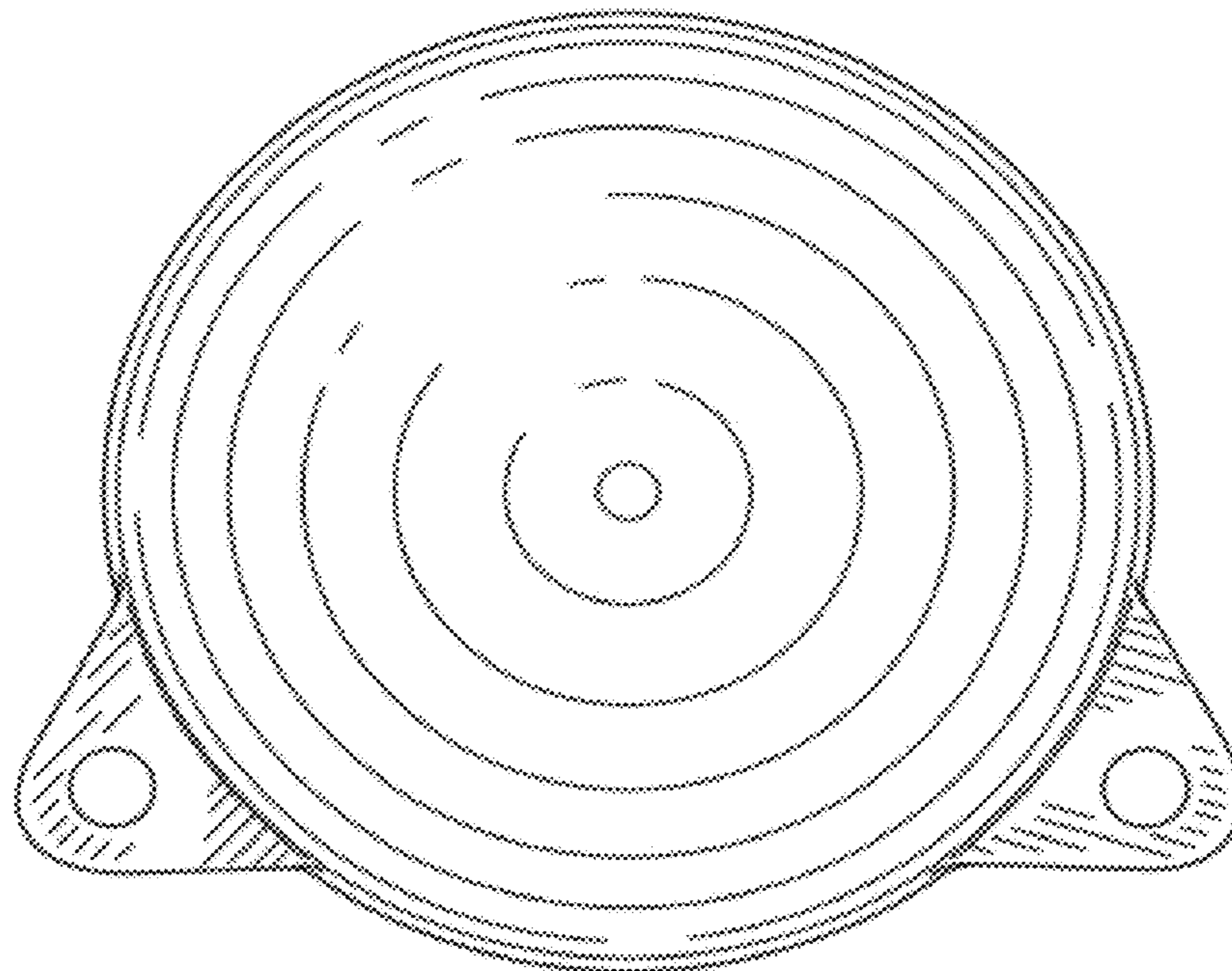


FIG. 4

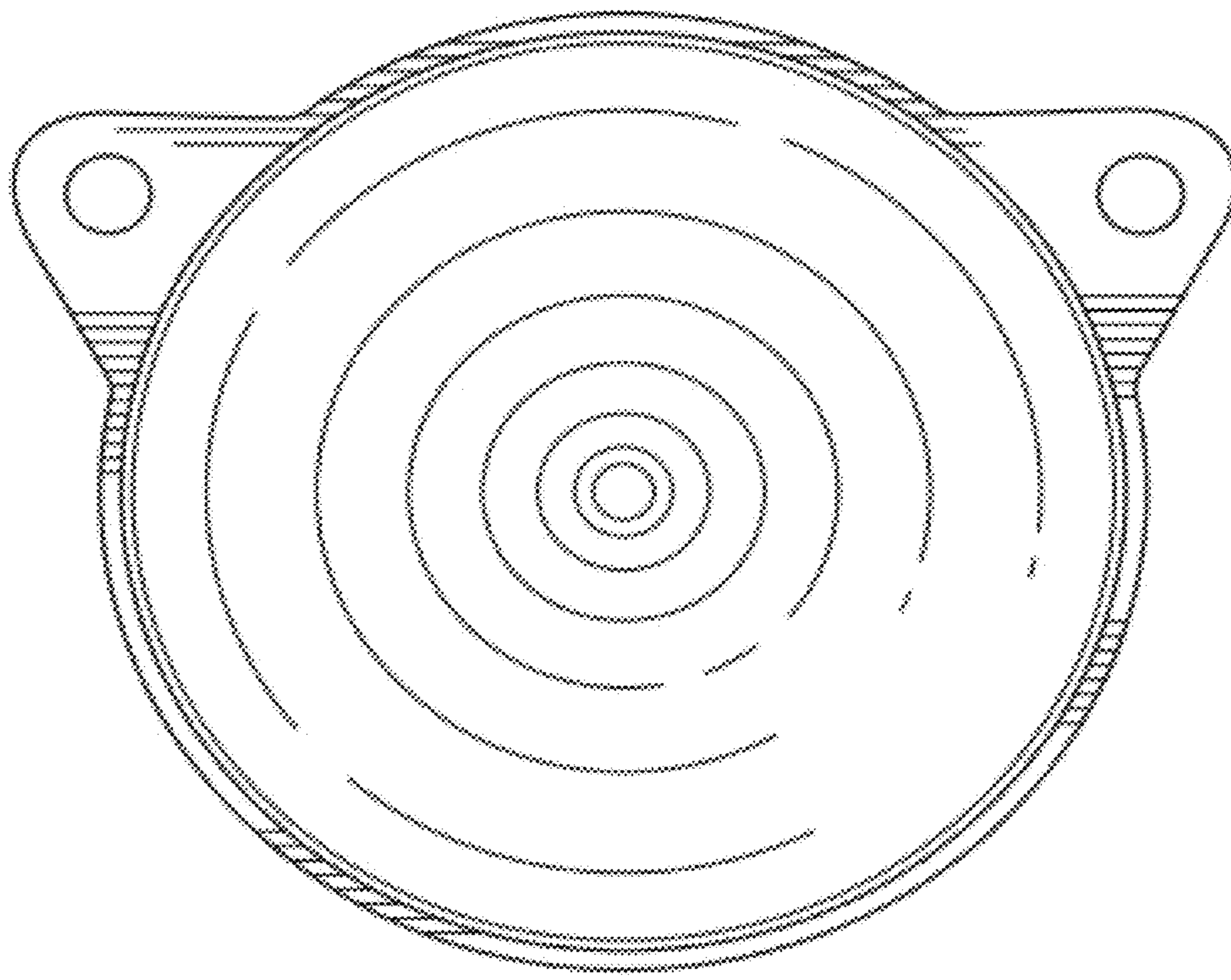


FIG. 5