



US00D657657S

(12) **United States Design Patent**
Golling

(10) **Patent No.:** **US D657,657 S**
(45) **Date of Patent:** **** Apr. 17, 2012**

(54) **BICYCLE LOCK**
(75) Inventor: **Guido Golling**, Rottach-Egern (DE)
(73) Assignee: **ABUS August Bremicker Soehne KG**,
Wetter-Volmarstein (DE)
(**) Term: **14 Years**
(21) Appl. No.: **29/394,360**

D579,756 S 11/2008 Hentschel et al.
7,581,787 B2 * 9/2009 Livne 297/215.13
D606,840 S * 12/2009 Gould D8/331
7,624,605 B2 * 12/2009 Vitali 70/233

FOREIGN PATENT DOCUMENTS

DE 102005040066 A1 3/2007
EM 000396452-0001 10/2005
EM 000396452-0002 10/2005
EM 000396452-0003 10/2005

OTHER PUBLICATIONS

“Specialized—Bicycles & Equipment Spring 2003”.
“ABUS Gesamtkatalog 2010” pp. 1, 2, 16-19, 172.

* cited by examiner

Primary Examiner — Prabhakar Deshmukh
(74) *Attorney, Agent, or Firm* — Gifford, Krass, Sprinkle,
Anderson & Citkowski, P.C.

(22) Filed: **Jun. 16, 2011**
(51) **LOC (9) Cl.** **08-07**
(52) **U.S. Cl.** **D8/339**; D8/331; D8/334
(58) **Field of Classification Search** D8/331,
D8/334, 343, 349; 70/14, 20, 31, 35, 57,
70/57.1, 58, 233, 237–258, DIG. 37, DIG. 26
See application file for complete search history.

(56) **References Cited**

U.S. PATENT DOCUMENTS

1,892,964 A * 1/1933 Rainey 70/25
3,747,376 A * 7/1973 White, Jr. 70/18
D274,977 S * 8/1984 Devine D8/331
5,018,374 A 5/1991 Montano
5,069,049 A * 12/1991 Shieh 70/227
5,076,531 A 12/1991 Delaney
5,347,835 A * 9/1994 Dewey 70/202
5,433,092 A 7/1995 Kuo
5,475,993 A 12/1995 Kuo
5,488,844 A * 2/1996 Winner 70/18
5,511,399 A * 4/1996 Lynn 70/19
D402,180 S 12/1998 Chappell
5,913,906 A * 6/1999 Strocchi 70/18
D439,133 S 3/2001 Hoyland
D477,525 S * 7/2003 Ling D8/330
D498,132 S 11/2004 Lai
6,820,448 B1 11/2004 Hsieh
D511,673 S 11/2005 Lai

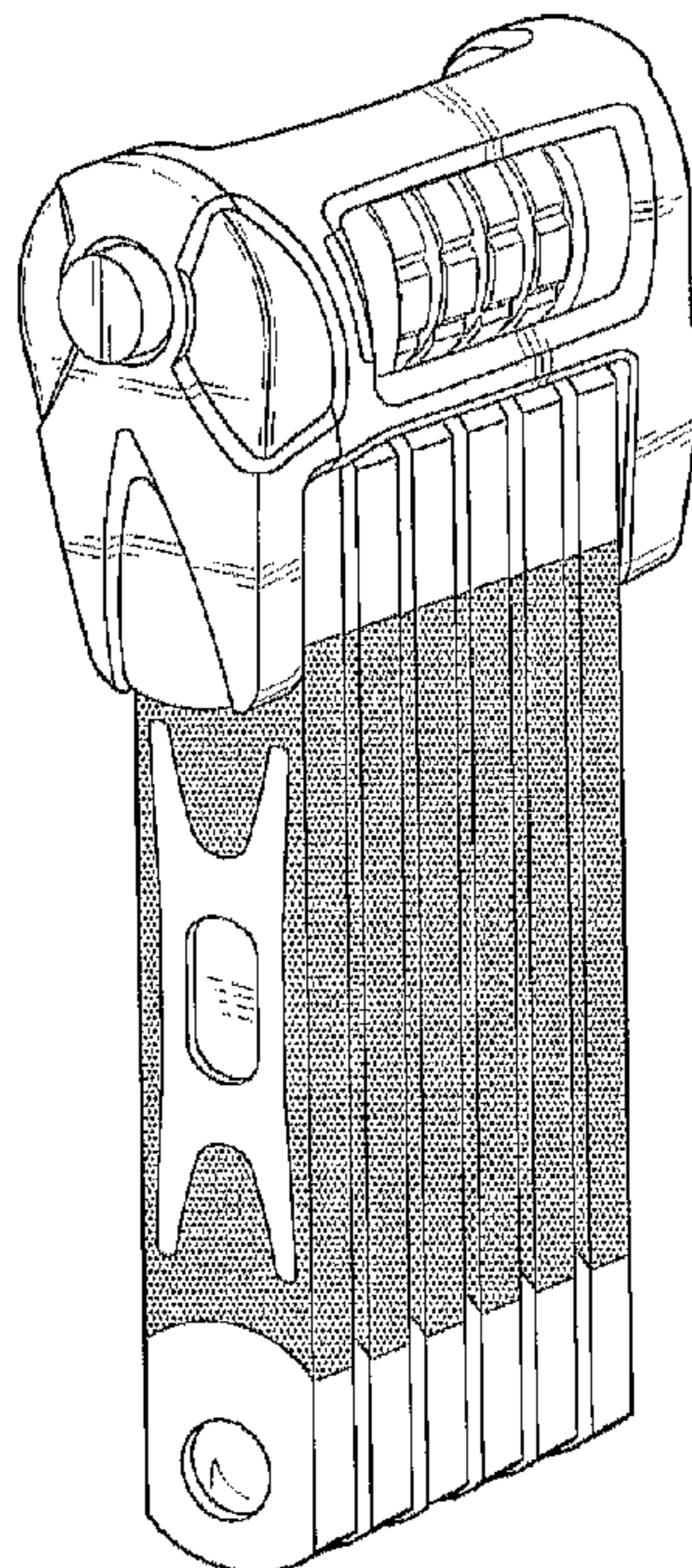
(57) **CLAIM**

The ornamental design for a bicycle lock, as shown and described.

DESCRIPTION

FIG. 1 is a top, front, left perspective view of a bicycle lock showing my new design;
FIG. 2 is a top, rear, right perspective view thereof;
FIG. 3 is a front elevational view thereof;
FIG. 4 is a rear elevational view thereof;
FIG. 5 is a right side elevational view thereof;
FIG. 6 is a left side elevational view thereof;
FIG. 7 is a top plan view thereof; and,
FIG. 8 is a bottom plan view thereof.

1 Claim, 3 Drawing Sheets



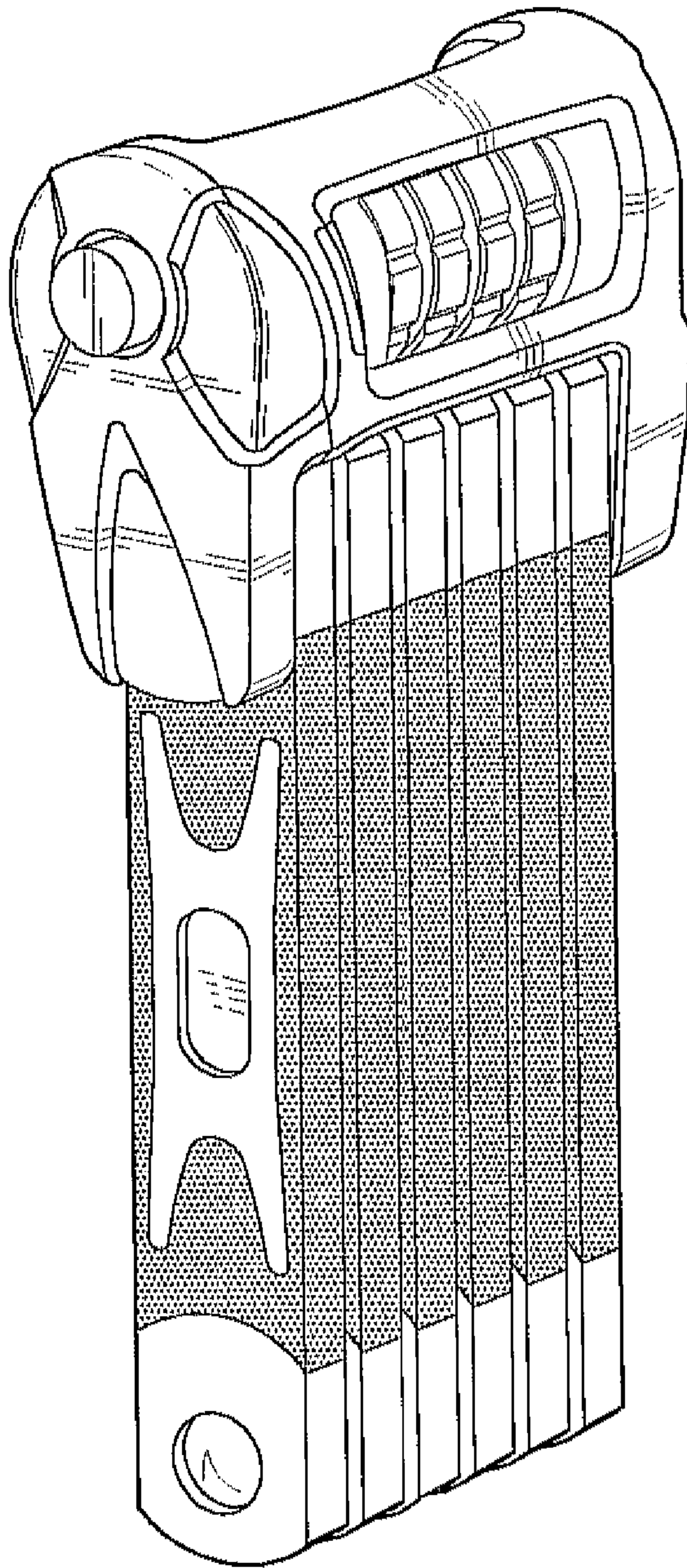


Fig-1

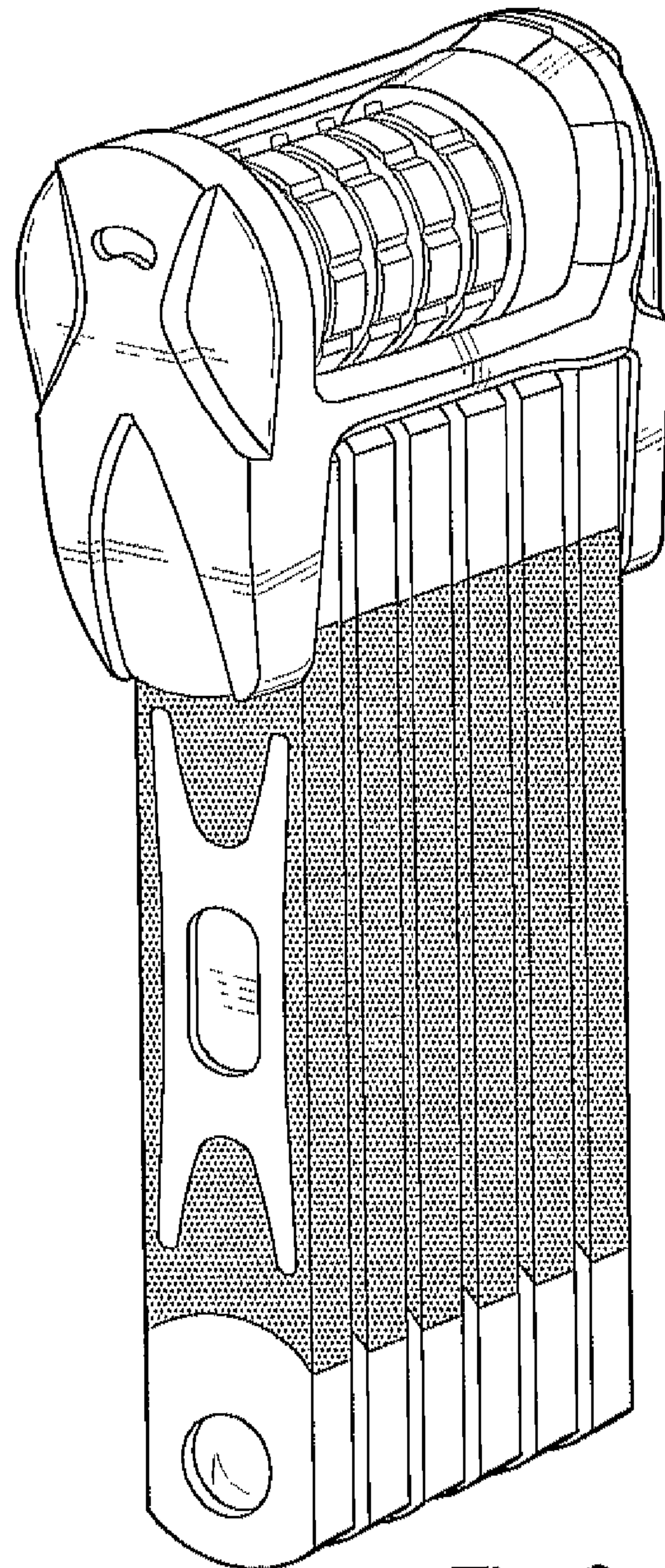


Fig-2

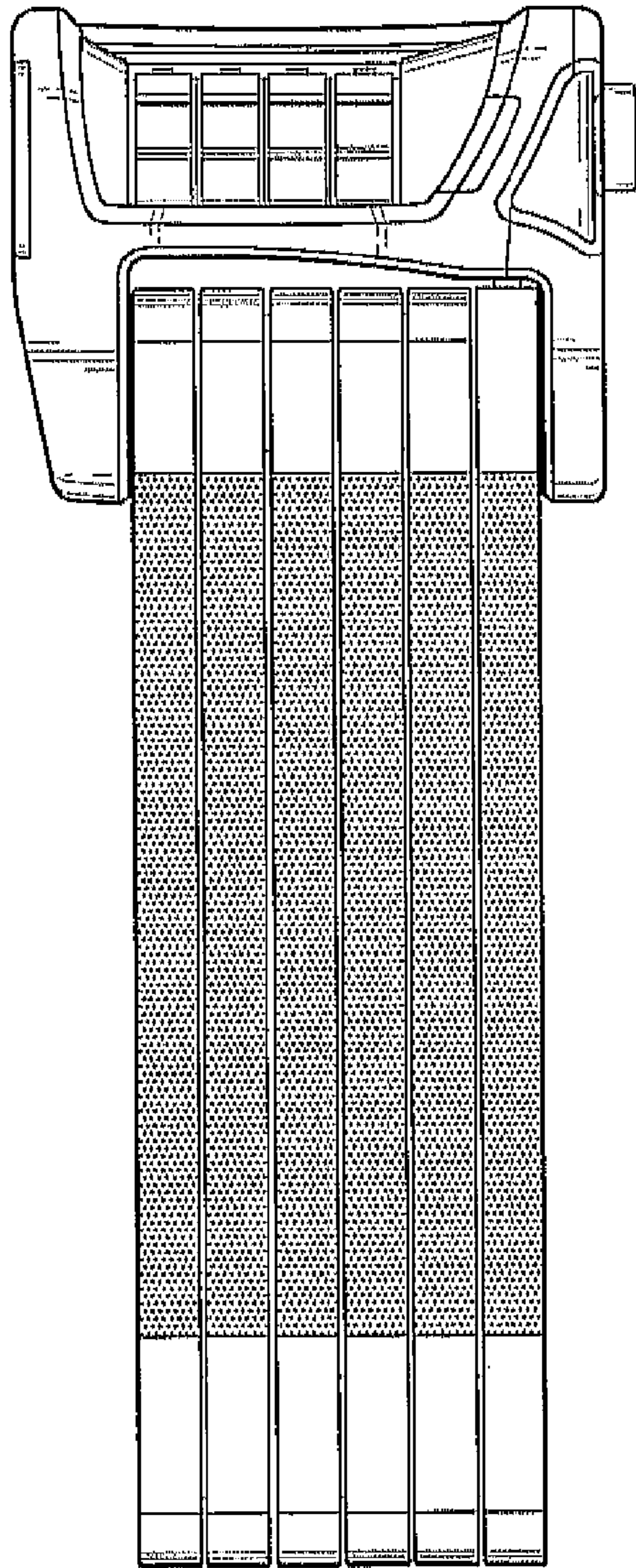


Fig-3

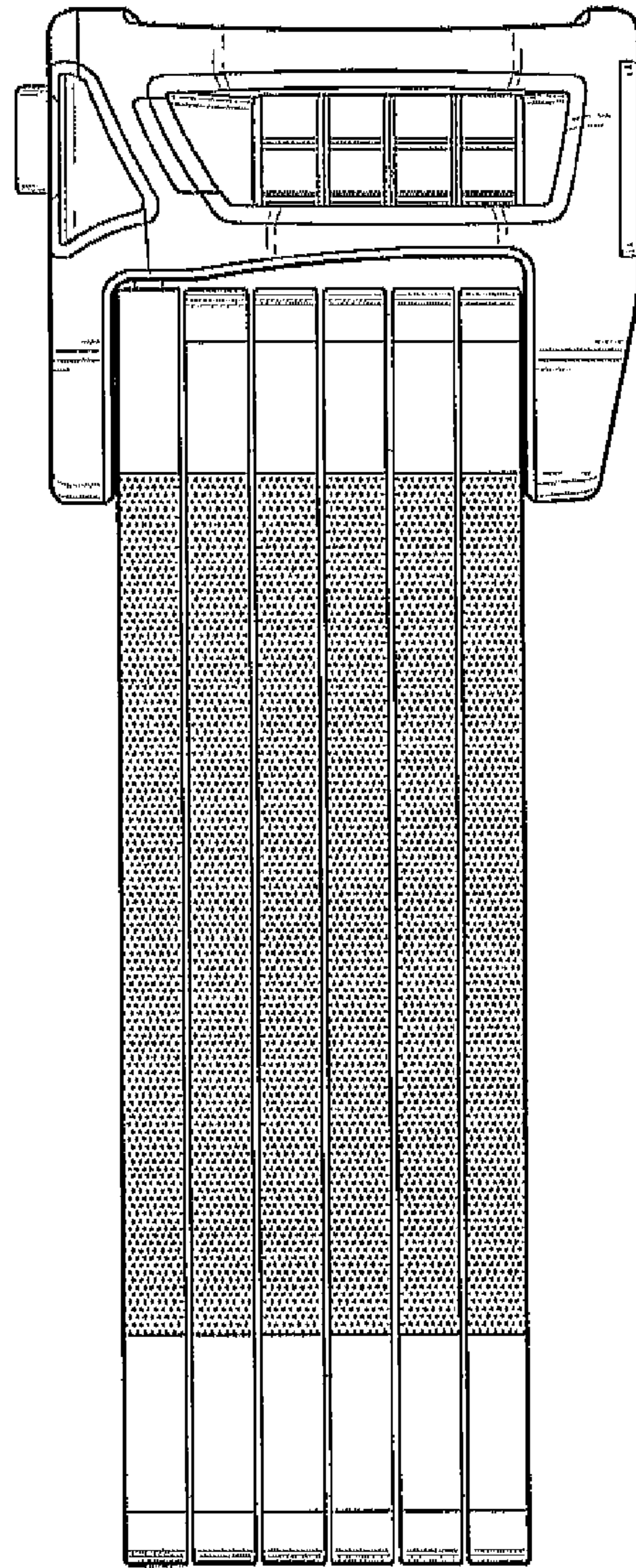


Fig-4

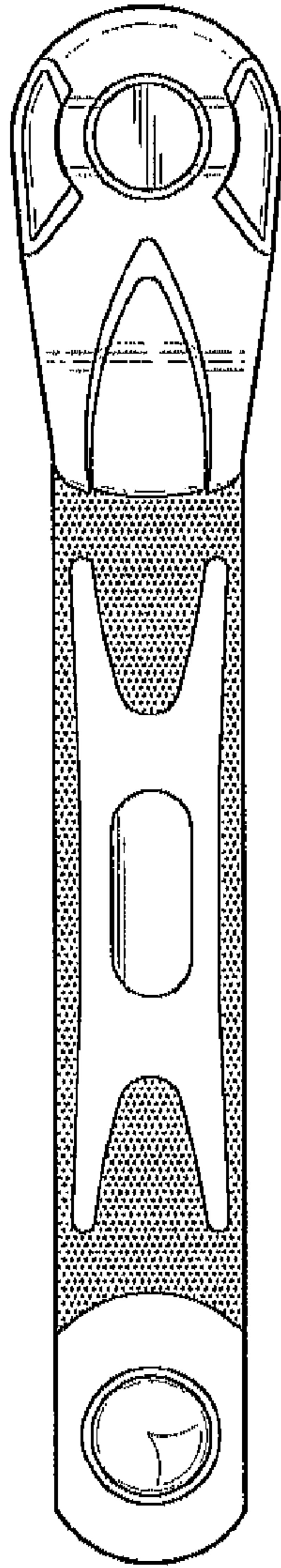


Fig-5

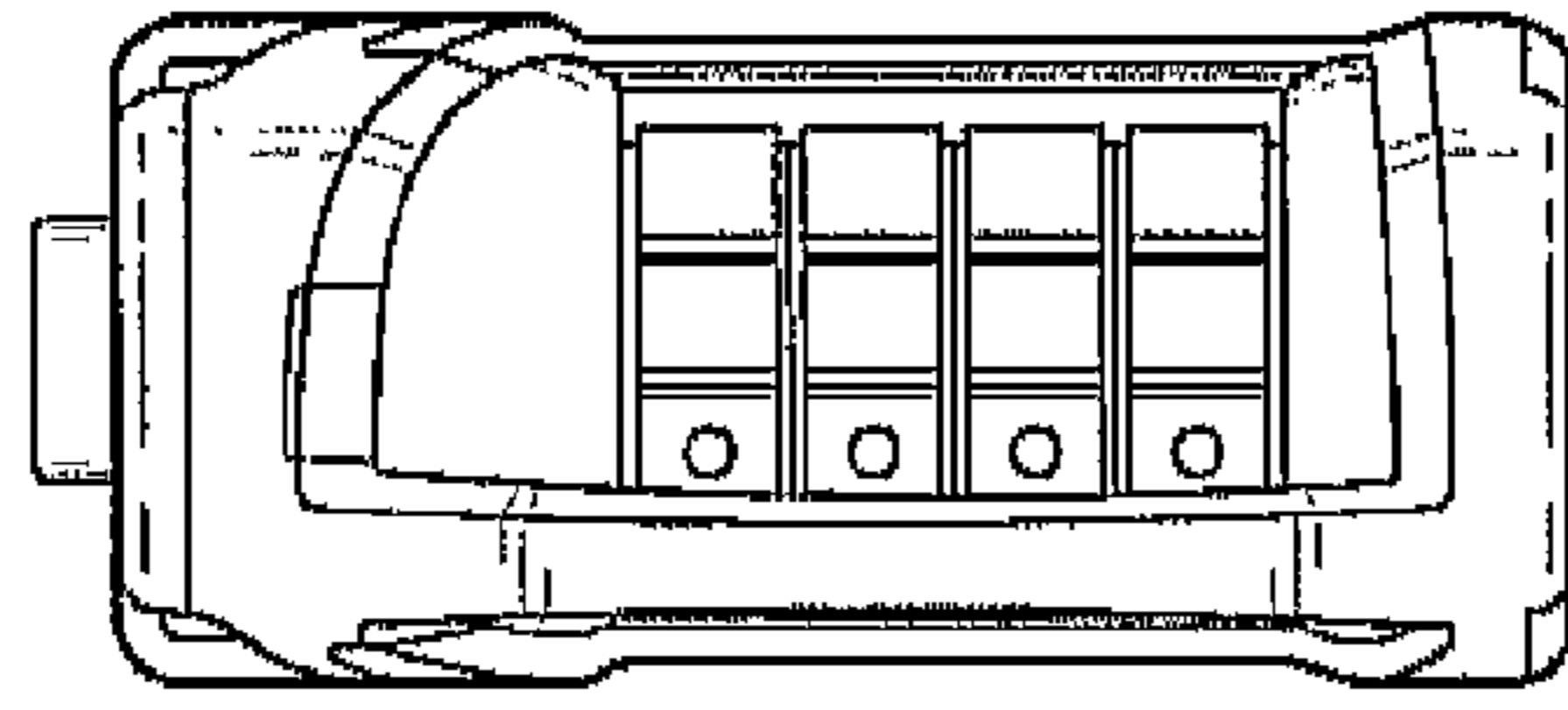


Fig-7

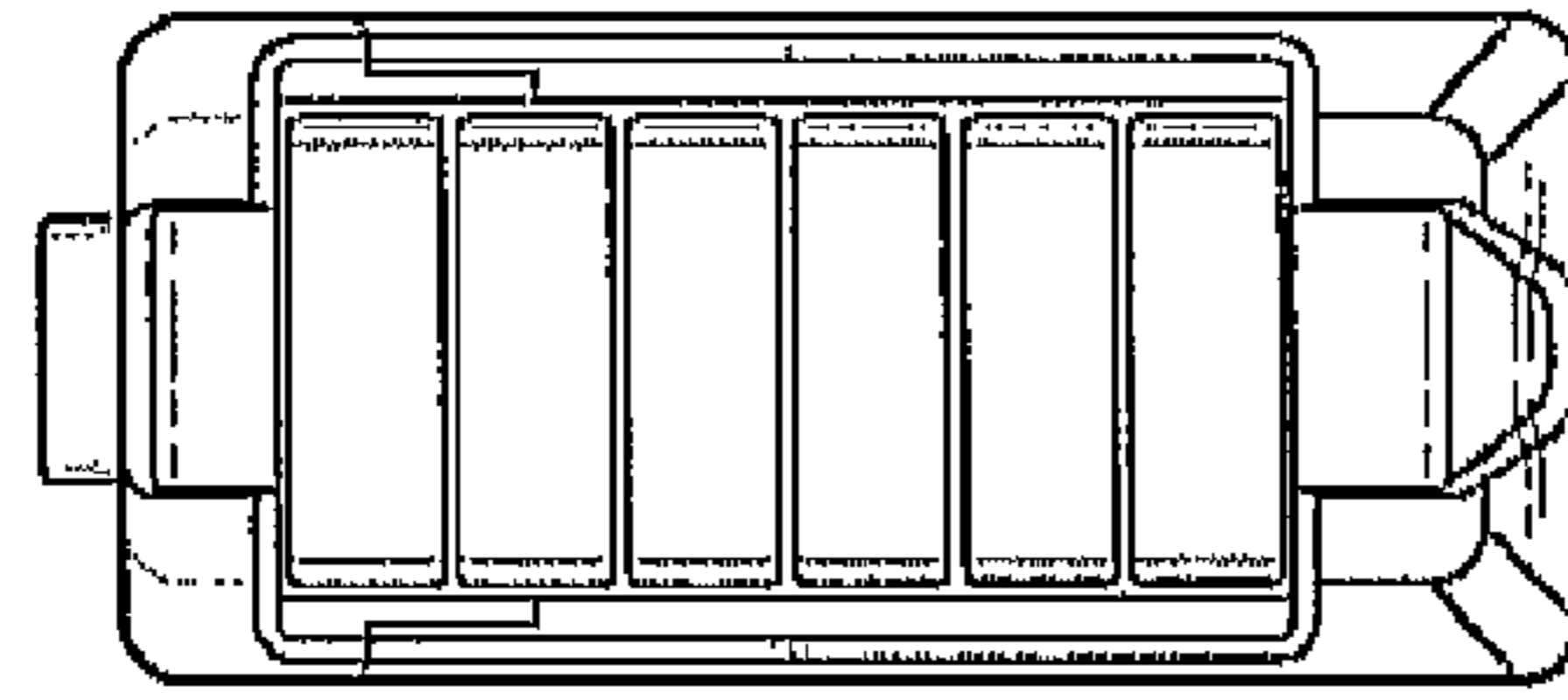


Fig-8

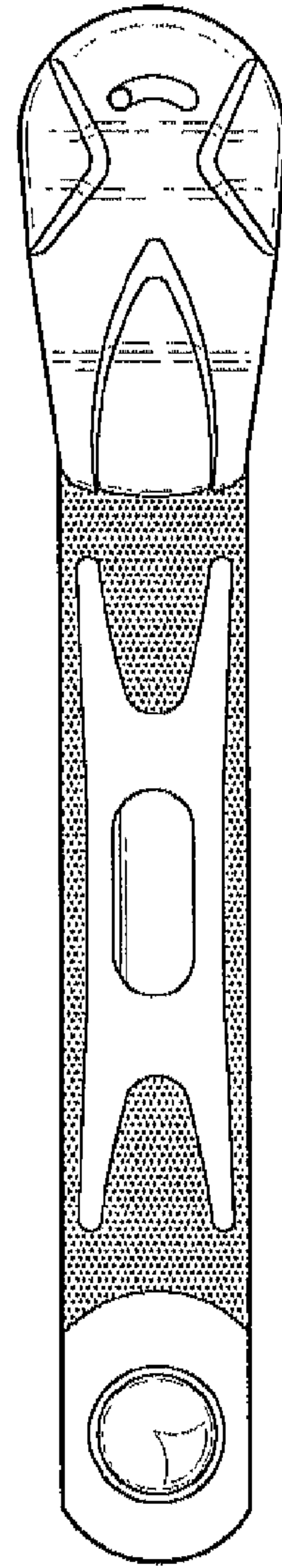


Fig-6