



US00D657656S

(12) **United States Design Patent**  
**Lindenmayer**

(10) **Patent No.:** **US D657,656 S**

(45) **Date of Patent:** **\*\* Apr. 17, 2012**

(54) **BOTTLE BOX LOCK PACKAGE**

(76) Inventor: **David O. Lindenmayer**, Marysville, IN  
(US)

(\*\*) Term: **14 Years**

(21) Appl. No.: **29/314,048**

(22) Filed: **Feb. 27, 2009**

(51) **LOC (9) Cl.** ..... **08-07**

(52) **U.S. Cl.** ..... **D8/330**

(58) **Field of Classification Search** ..... D8/330,  
D8/107, 315, 321, 331, 333-336, 338, 343-345;  
D7/602, 703; D9/414, 415, 418, 432, 434,  
D9/449, 499; D23/266; 70/14, 20-29, 31,  
70/38 A, 51, 52, 53, 58, 203; 206/217, 525,  
206/527, 815; D11/157

See application file for complete search history.

(56) **References Cited**

U.S. PATENT DOCUMENTS

3,280,606 A \* 10/1966 Howard et al. .... 292/259 R  
D251,417 S \* 3/1979 Hasson ..... D11/157  
D253,339 S \* 11/1979 Cloyd ..... D11/157  
D281,668 S \* 12/1985 Berard ..... D9/649

4,732,019 A \* 3/1988 Tolar ..... 70/203  
D316,808 S \* 5/1991 Partridge, Jr. .... D8/333  
D519,820 S \* 5/2006 Newman et al. .... D8/107  
D540,160 S \* 4/2007 Konop et al. .... D9/415

\* cited by examiner

*Primary Examiner* — Derrick Holland

(74) *Attorney, Agent, or Firm* — Carrithers Law Office  
PLLC

(57) **CLAIM**

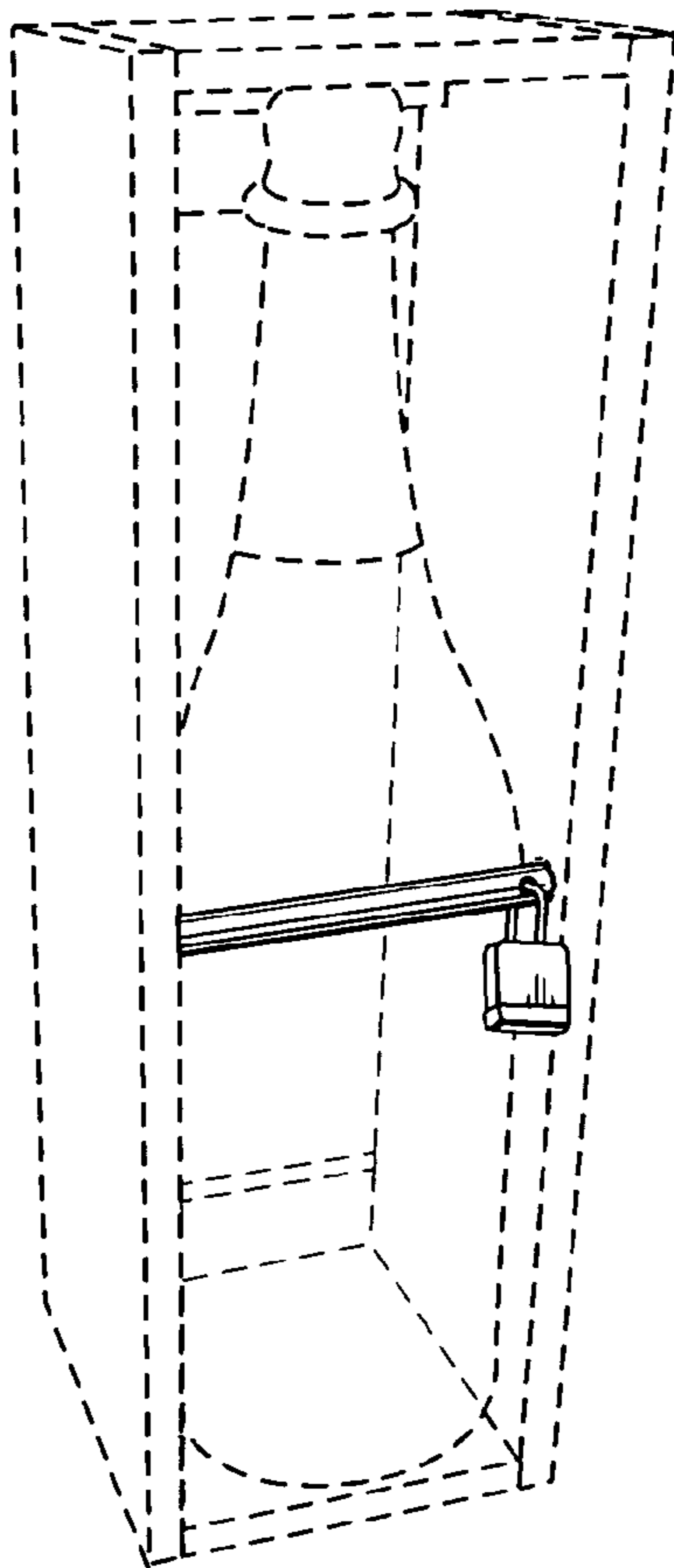
The ornamental design for a bottle box lock package, as shown and described.

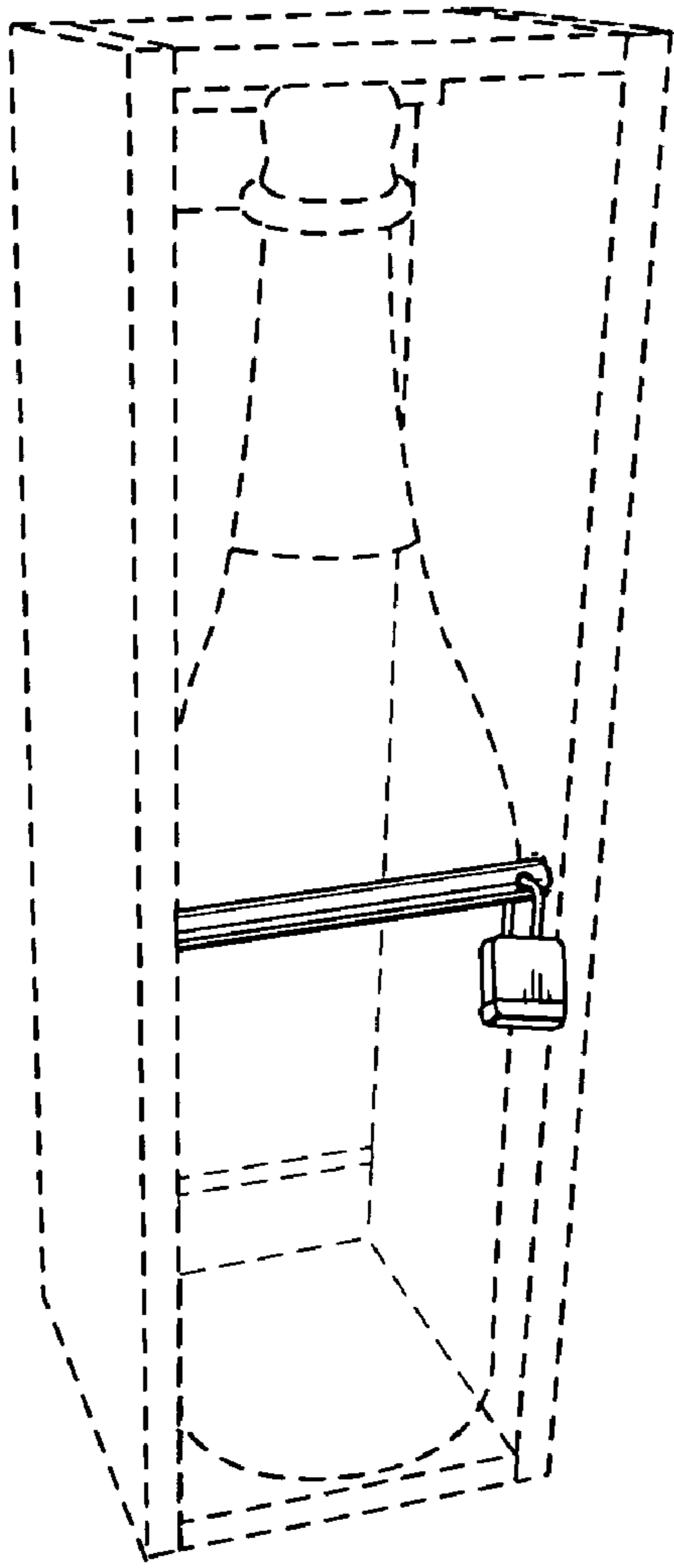
**DESCRIPTION**

FIG. 1 is a front perspective view of a bottle box lock package showing my new design;  
FIG. 2 is a rear view thereof;  
FIG. 3 is a front view thereof;  
FIG. 4 is a left side view thereof;  
FIG. 5 is a right side view thereof;  
FIG. 6 is a bottom plan view thereof; and,  
FIG. 7 is a top plan view thereof.

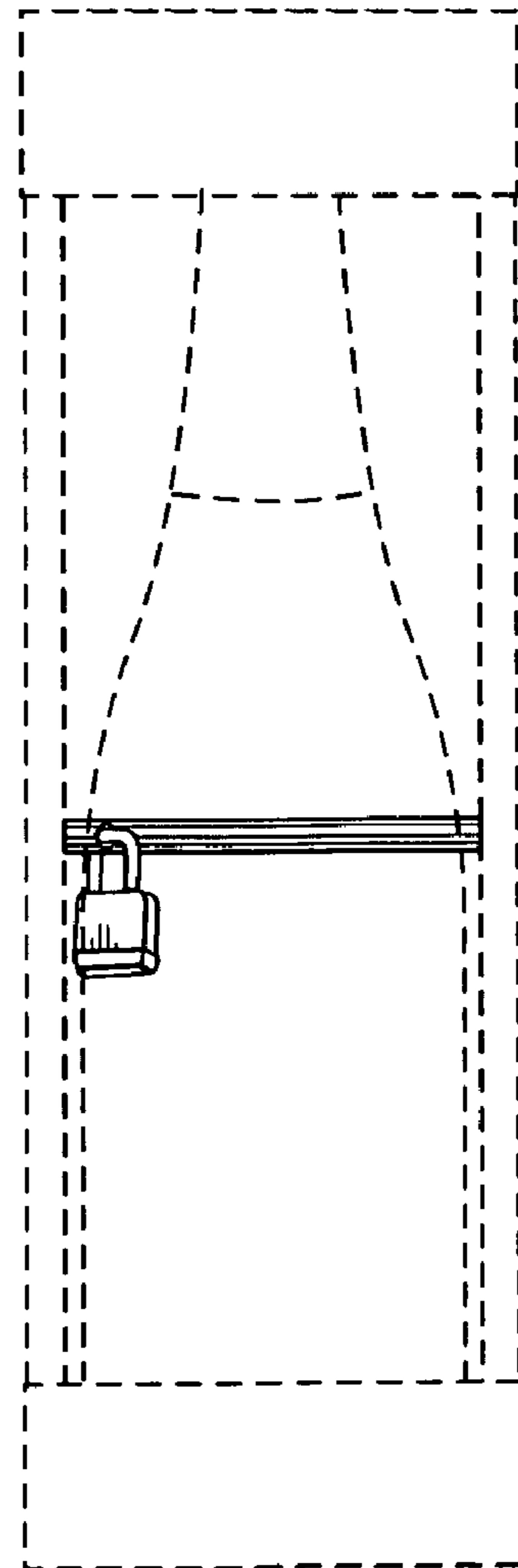
The broken lines shown represent unclaimed subject matter and form no part of the claimed design.

**1 Claim, 2 Drawing Sheets**





**FIG. 1**



**FIG. 2**

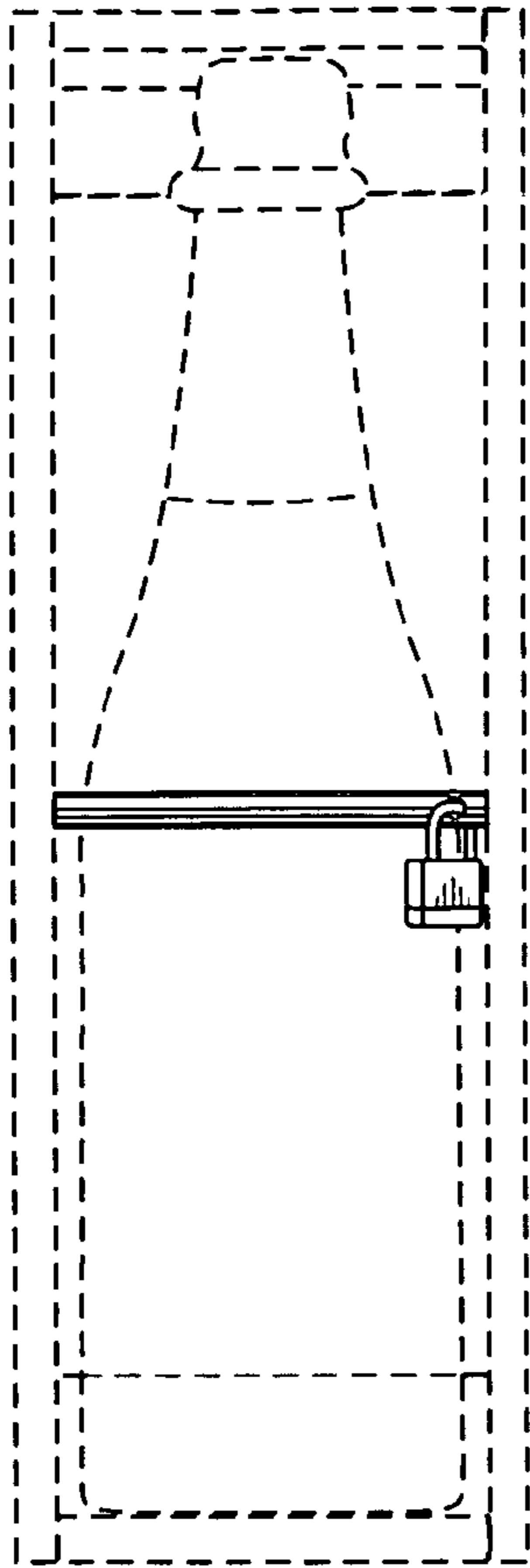


FIG. 3

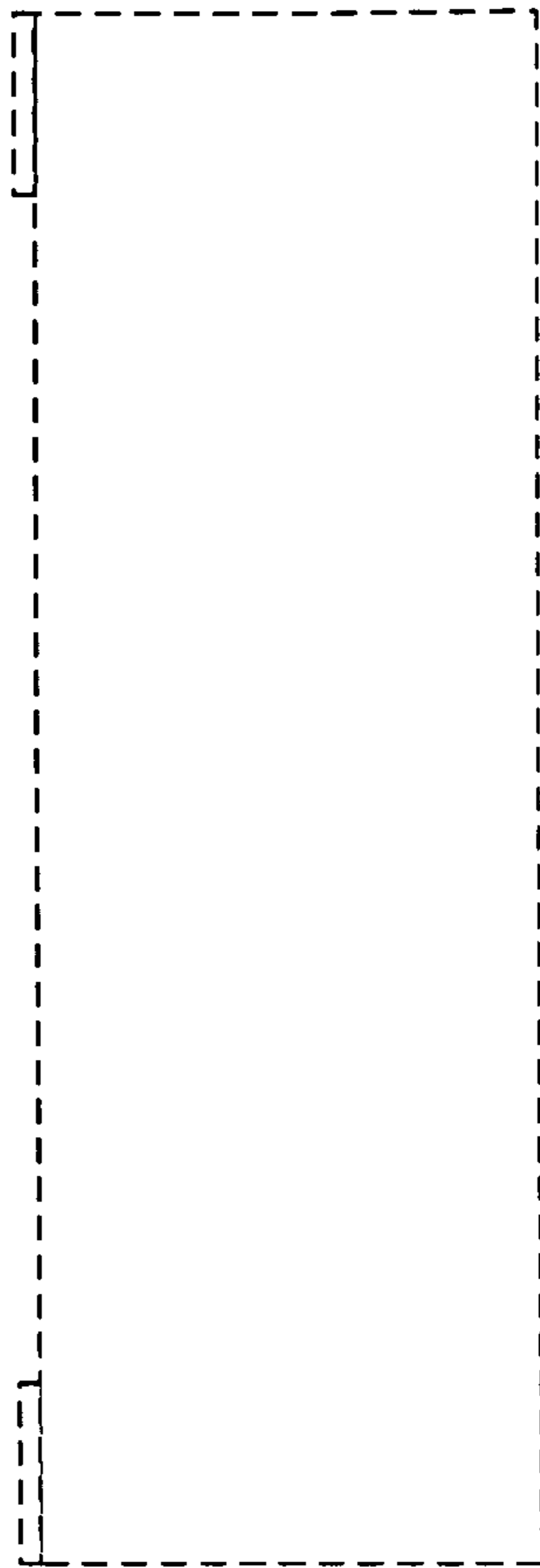


FIG. 4

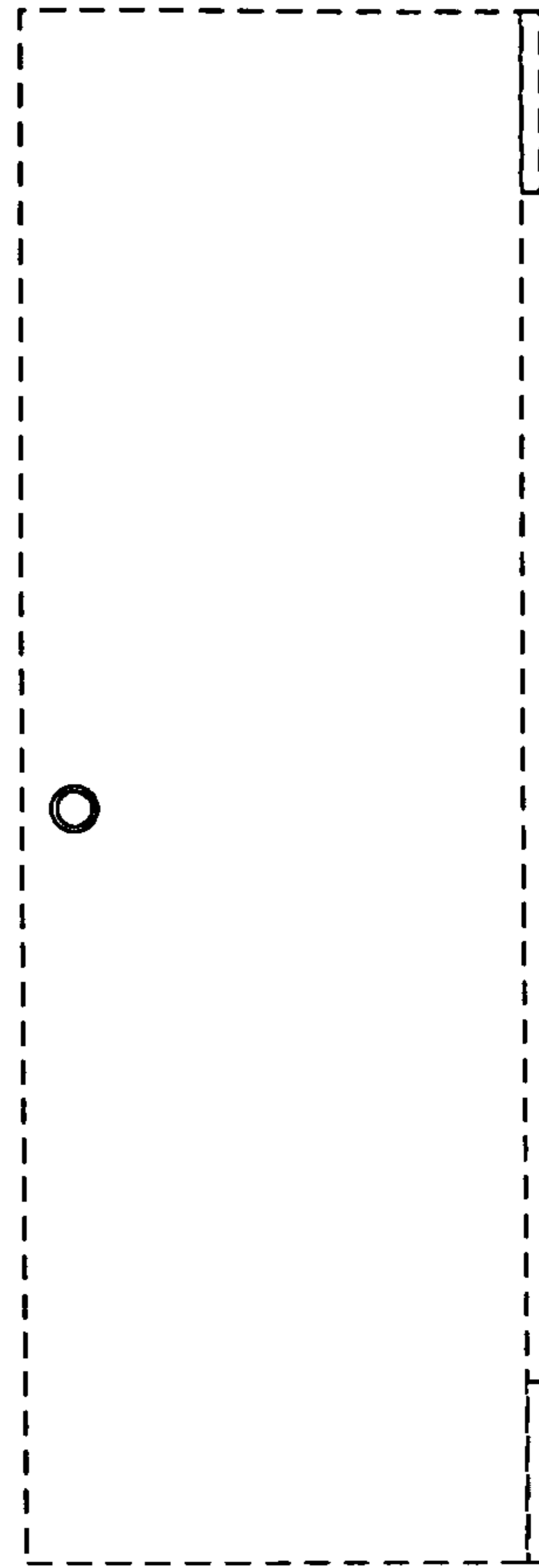


FIG. 5

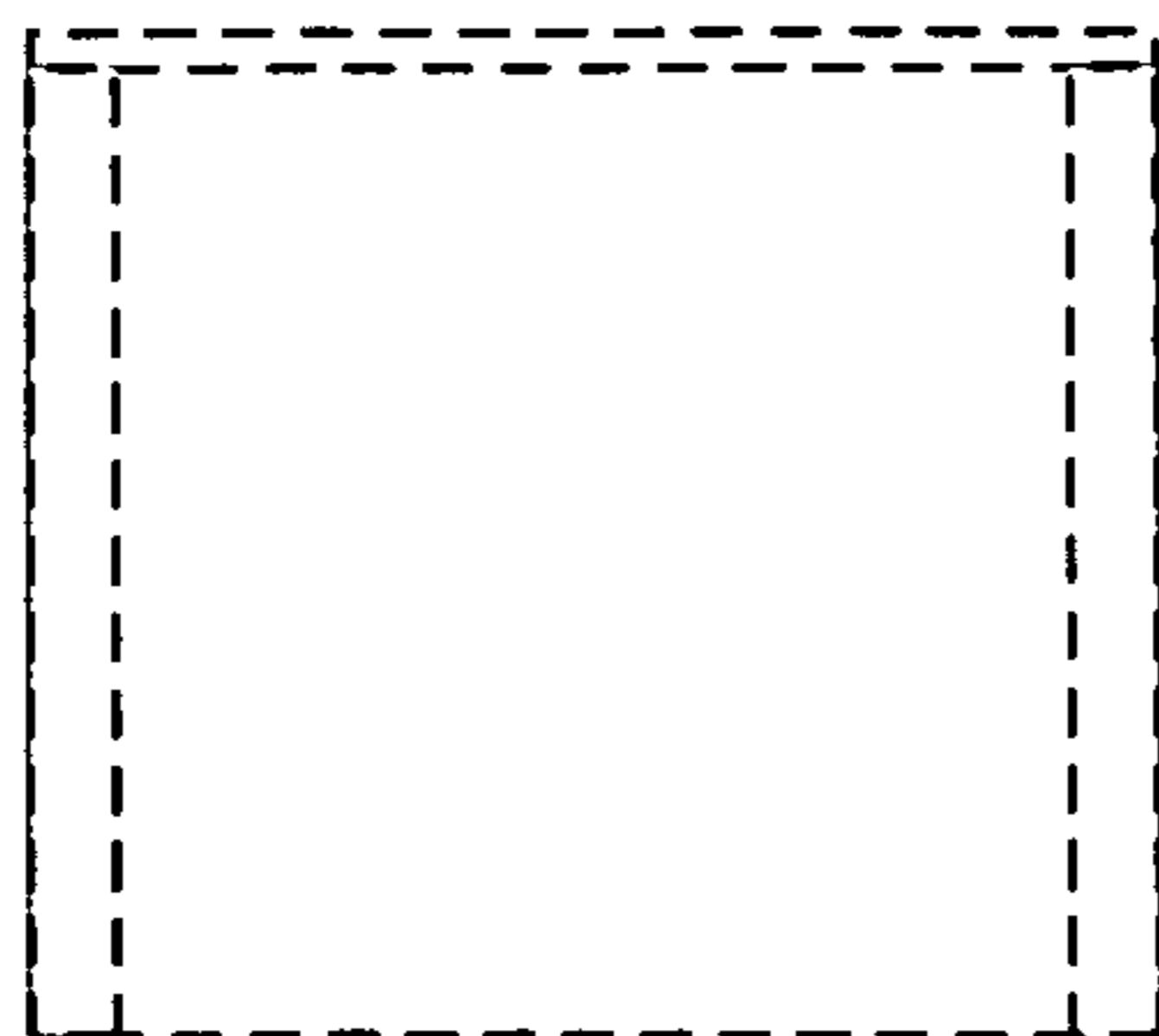


FIG. 6

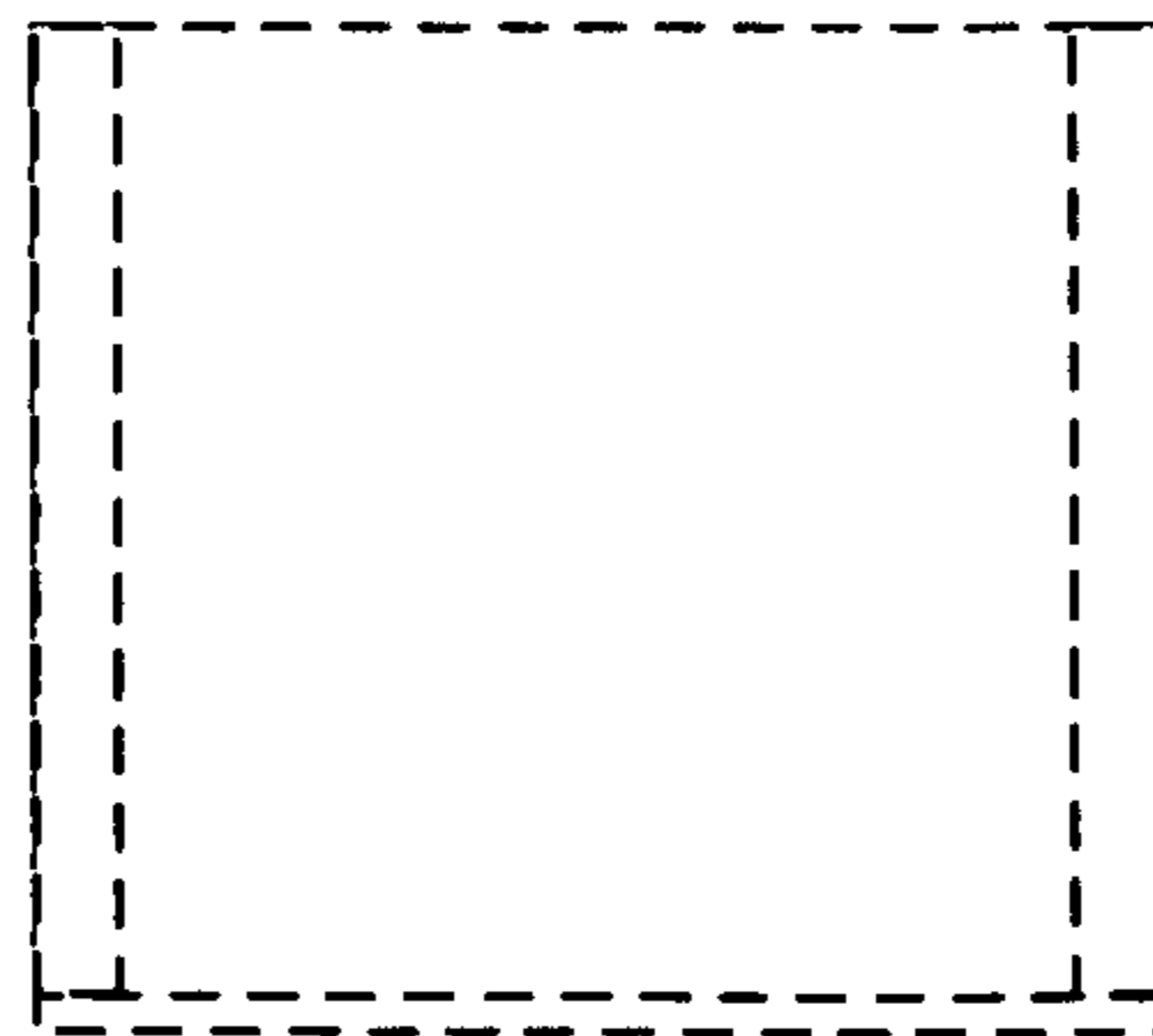


FIG. 7