



US00D657654S

(12) **United States Design Patent**
Matsumiya et al.

(10) **Patent No.:** **US D657,654 S**
(45) **Date of Patent:** **** Apr. 17, 2012**

(54) **KNOB FOR A STAND FOR MEASURING INSTRUMENTS**

(75) Inventors: **Sadayuki Matsumiya**, Kawasaki (JP);
Shuji Hayashida, Kawasaki (JP); **Kenji Abiko**,
Kawasaki (JP); **Shigeru Ohtani**, Kawasaki (JP);
Yoshiro Asano, Tokyo (JP)

(73) Assignee: **Mitutoyo Corporation**, Kawasaki-shi (JP)

(**) Term: **14 Years**

(21) Appl. No.: **29/401,981**

(22) Filed: **Sep. 19, 2011**

(30) **Foreign Application Priority Data**

Jun. 29, 2011 (JP) 2011-014770

(51) **LOC (9) Cl.** **08-06**

(52) **U.S. Cl.** **D8/312**

(58) **Field of Classification Search** D8/300–302,
D8/305, 310, 312–321, DIG. 1; D6/633;
D7/393; D3/291, 318; D23/250–254; 292/347,
292/336.3; 16/101.1, 412, 414–420, 443–446,
16/441, 110 R, 111 R, DIG. 19, DIG. 20
See application file for complete search history.

(56) **References Cited**

U.S. PATENT DOCUMENTS

D39,269 S *	4/1908	Jansen	D23/250
D44,935 S *	11/1913	Peterson	D8/311
D87,511 S *	8/1932	Duncan	D23/250
1,989,083 A *	1/1935	Dahnken et al.	403/288
D101,826 S *	11/1936	Sinko	D8/312
D127,735 S *	6/1941	Dreyfuss	D23/250

D162,678 S *	3/1951	Muller-Munk	D23/254
D200,186 S *	1/1965	Kelly	D23/250
4,515,037 A *	5/1985	Block	74/553
D292,608 S *	11/1987	Gomez	D23/254
D332,823 S *	1/1993	Bonnell	D23/250
D342,315 S *	12/1993	Gordon	D24/147
D365,009 S *	12/1995	Lenberg	D8/307
D441,055 S *	4/2001	Fleischmann	D23/250
6,363,579 B1 *	4/2002	King, Jr.	16/441
D609,550 S *	2/2010	Wan et al.	D8/307
D632,944 S *	2/2011	Kang	D8/312
D644,085 S *	8/2011	Jungen	D8/307

* cited by examiner

Primary Examiner — Mark Goodwin

(74) *Attorney, Agent, or Firm* — Oliff & Berridge, PLC

(57) **CLAIM**

We claim the ornamental design for a knob for a stand for measuring instruments, as shown and described.

DESCRIPTION

FIG. 1 is a front perspective view of a knob for a stand for measuring instruments showing our new design;
FIG. 2 is a front view thereof, the rear view being identical thereto;
FIG. 3 is a left-side view thereof, the right-side view being identical thereto;
FIG. 4 is a top view thereof;
FIG. 5 is a bottom view thereof;
FIG. 6 is a cross-sectional view thereof, taken along line 6-6 shown in FIG. 4; and,
FIG. 7 is a perspective view thereof shown in use condition, the broken line showing of an extra knob for a stand for measuring instruments forming no part of the claimed design. The broken lines depict environmental subject matter only and form no part of the claimed design.

1 Claim, 7 Drawing Sheets

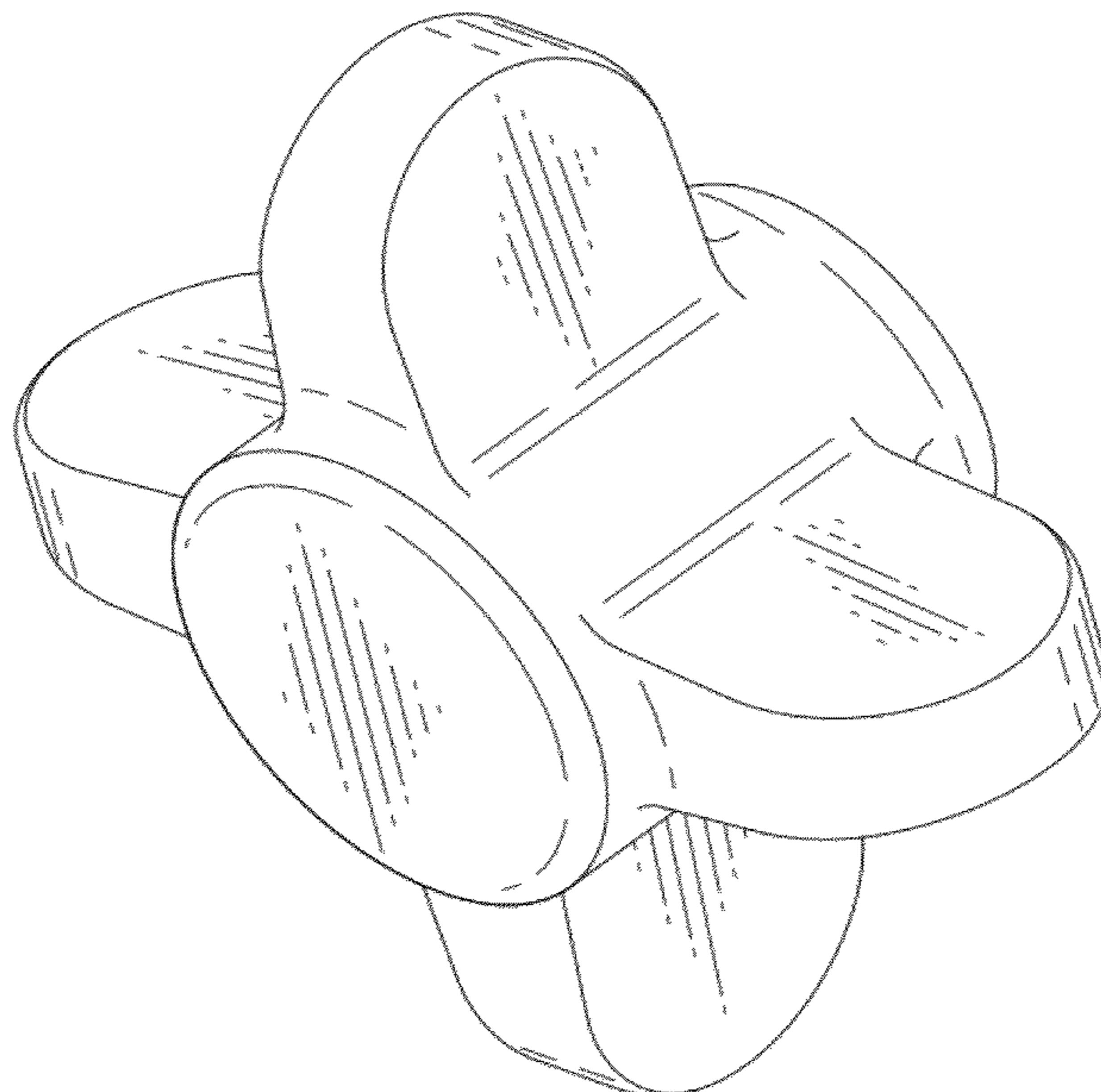


FIG. 1

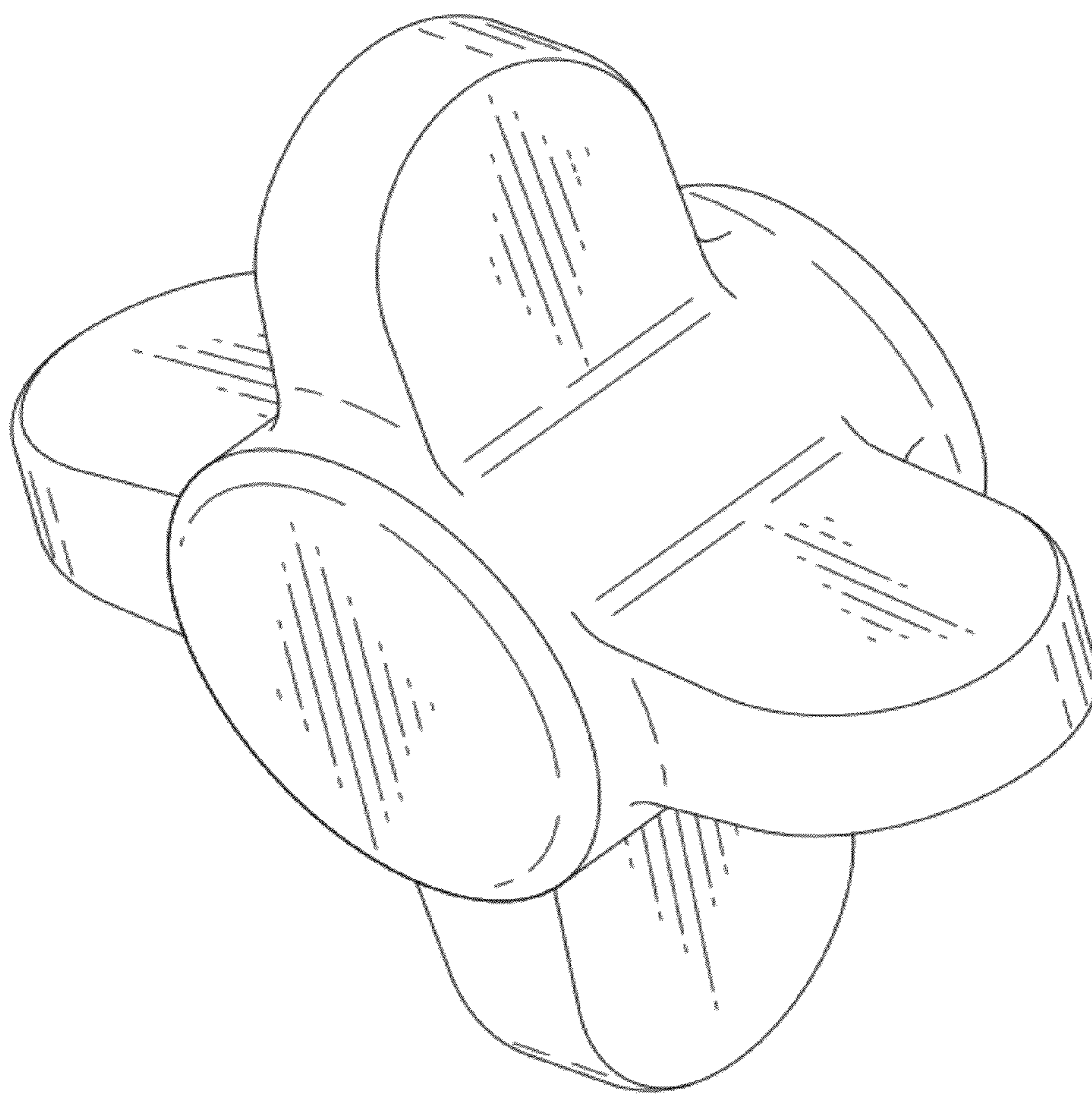


FIG. 2

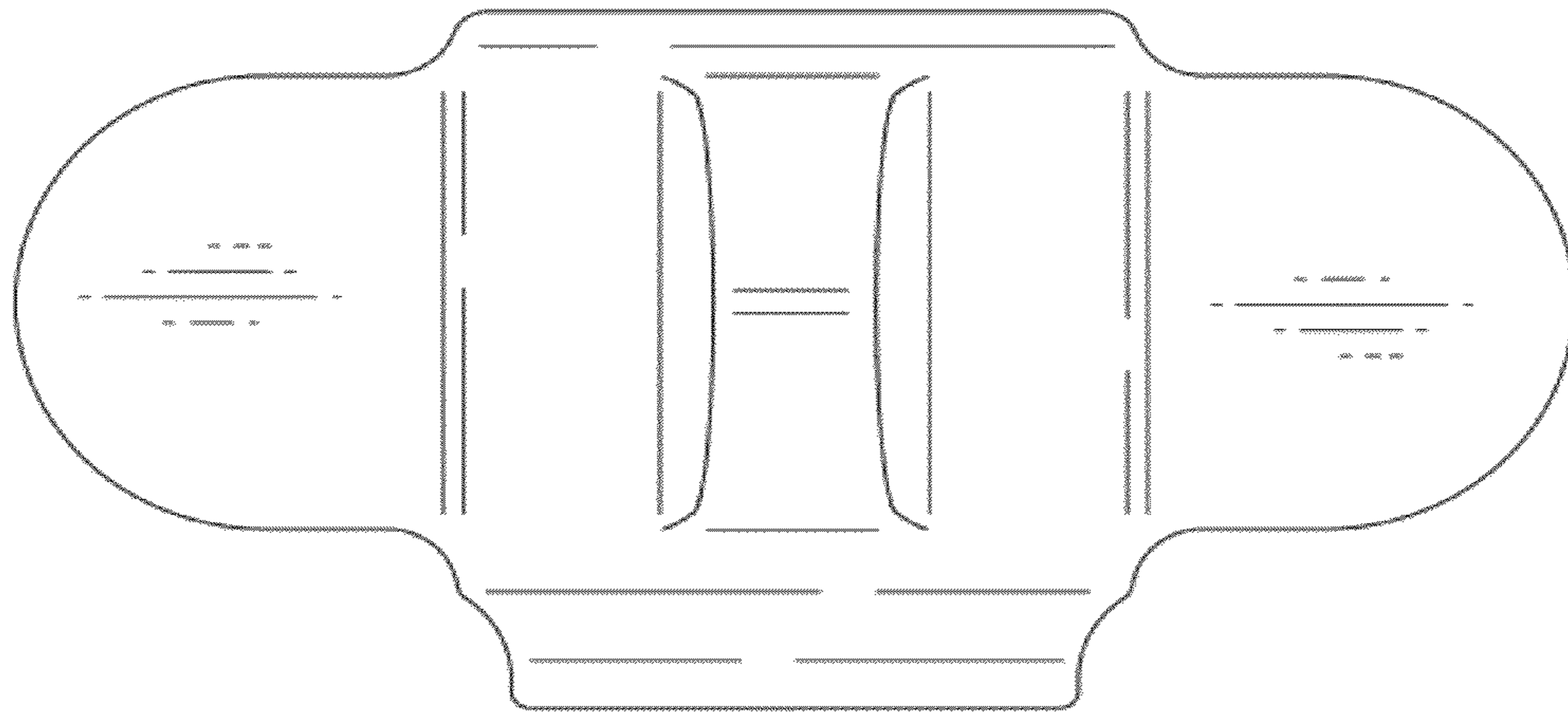


FIG. 3

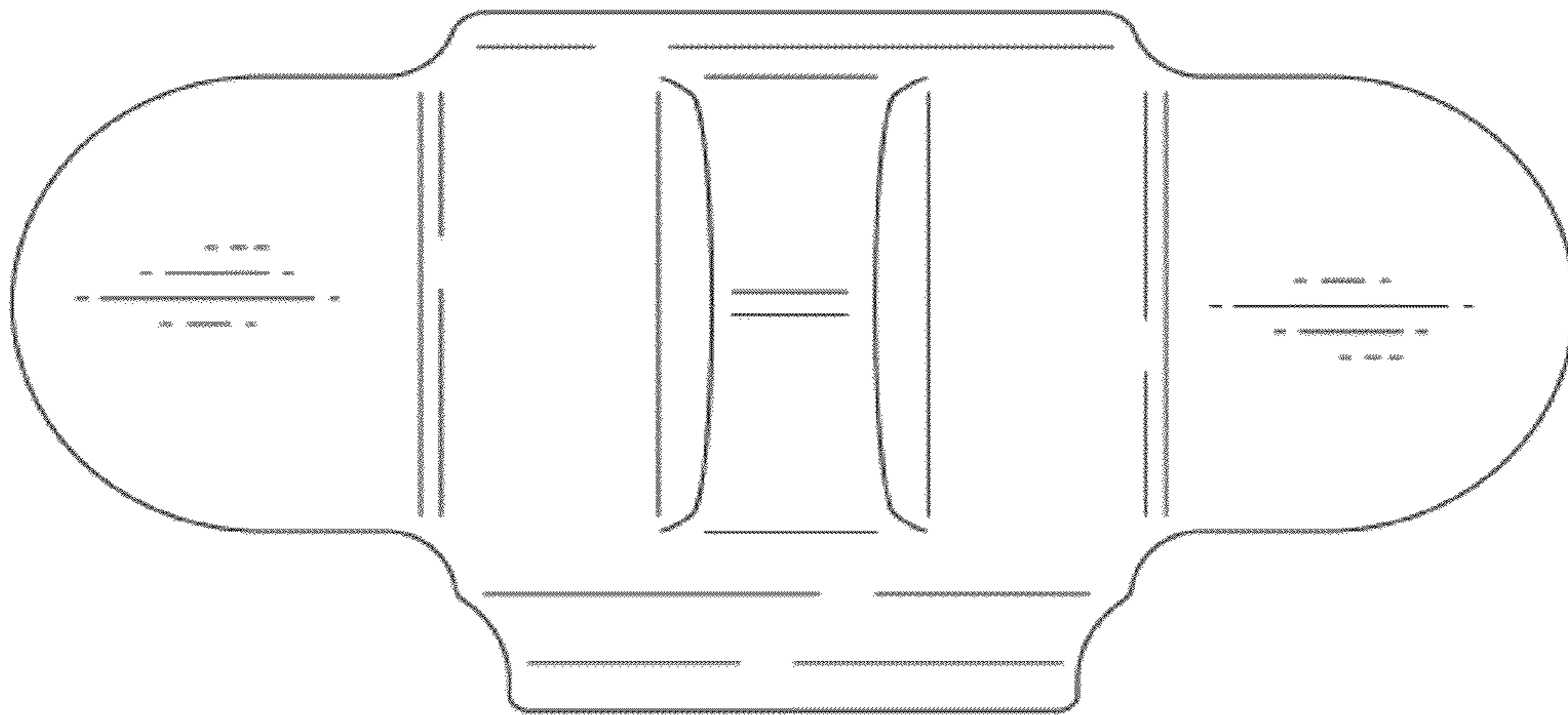


FIG. 4

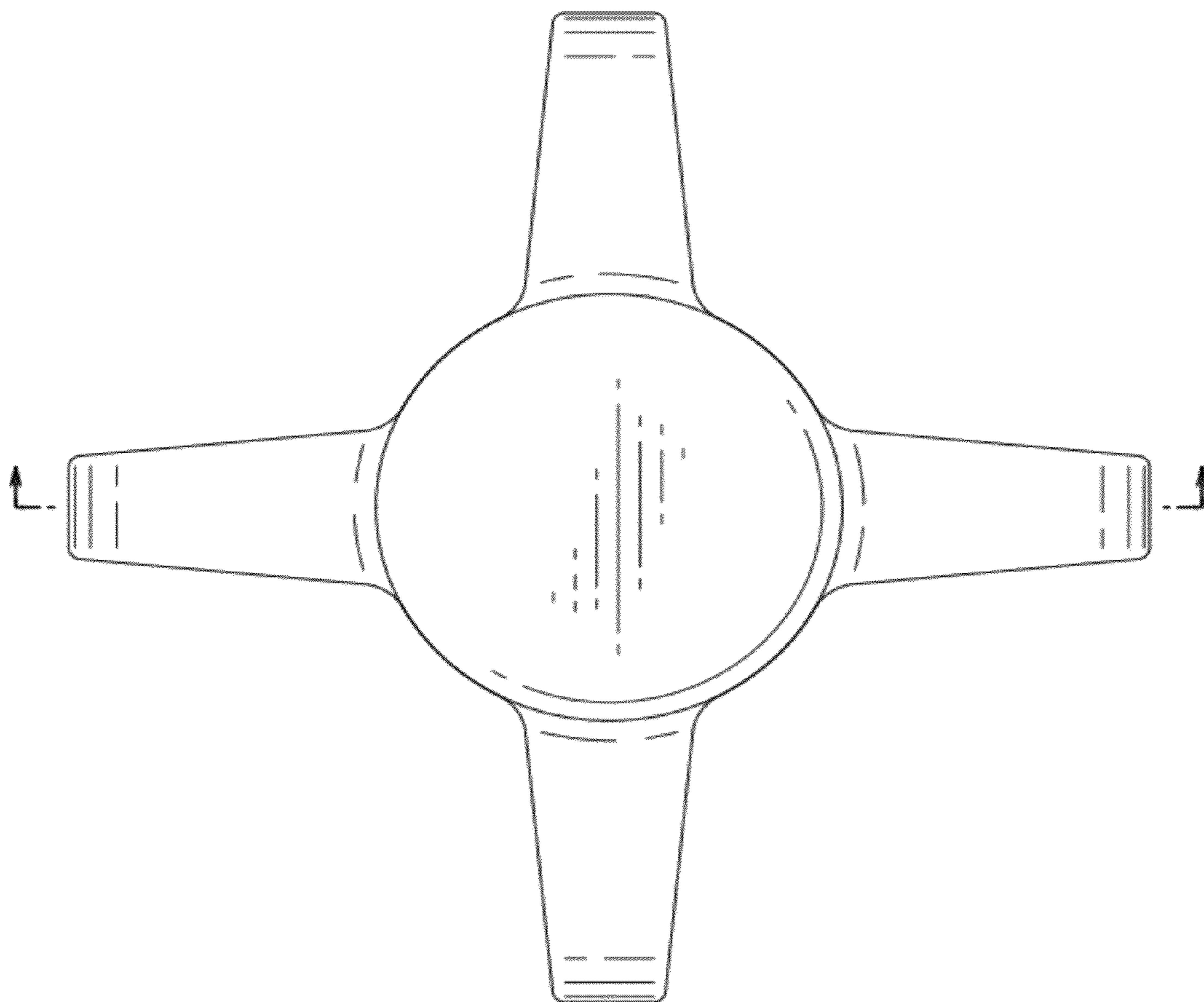


FIG. 5

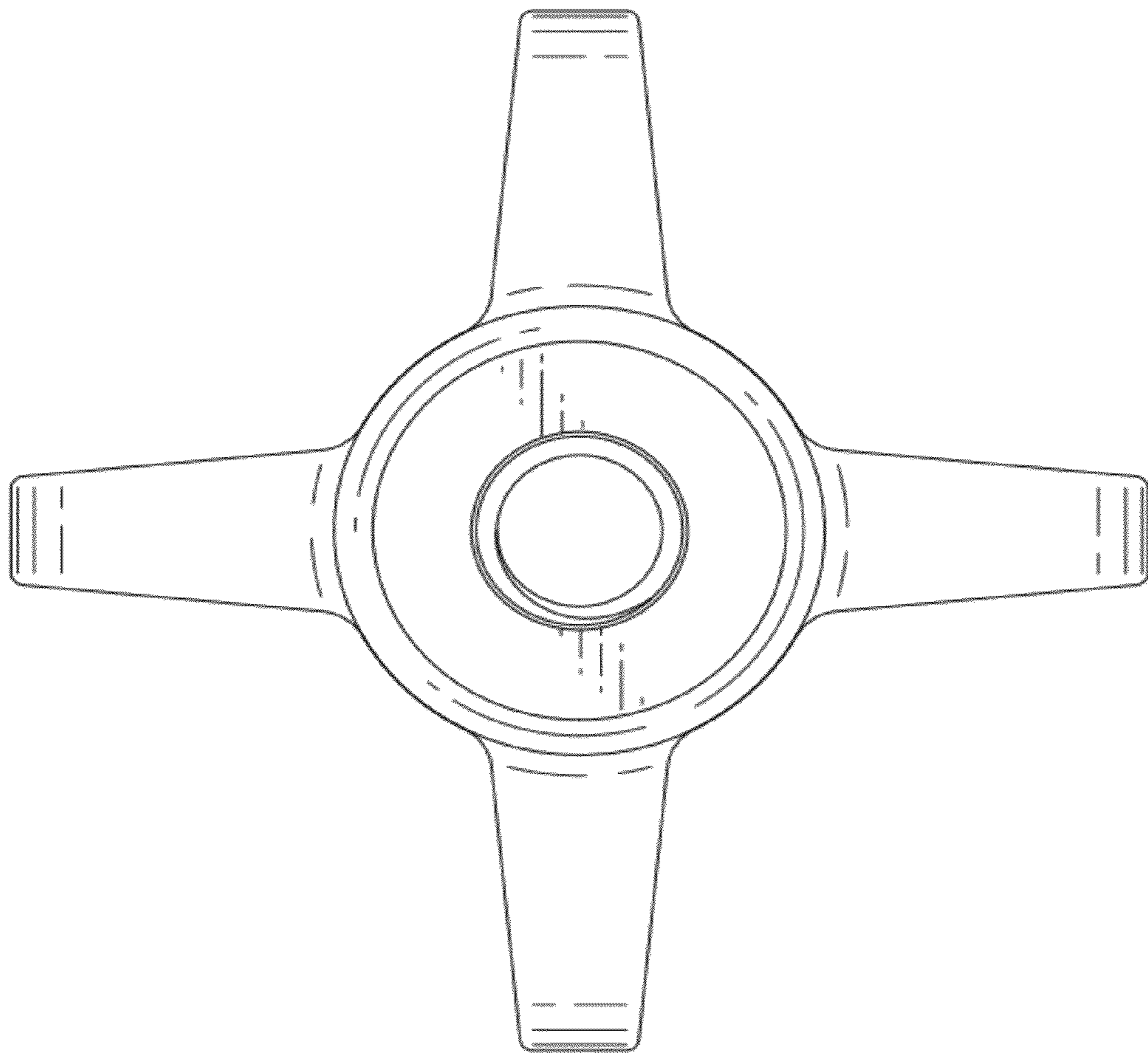


FIG. 6

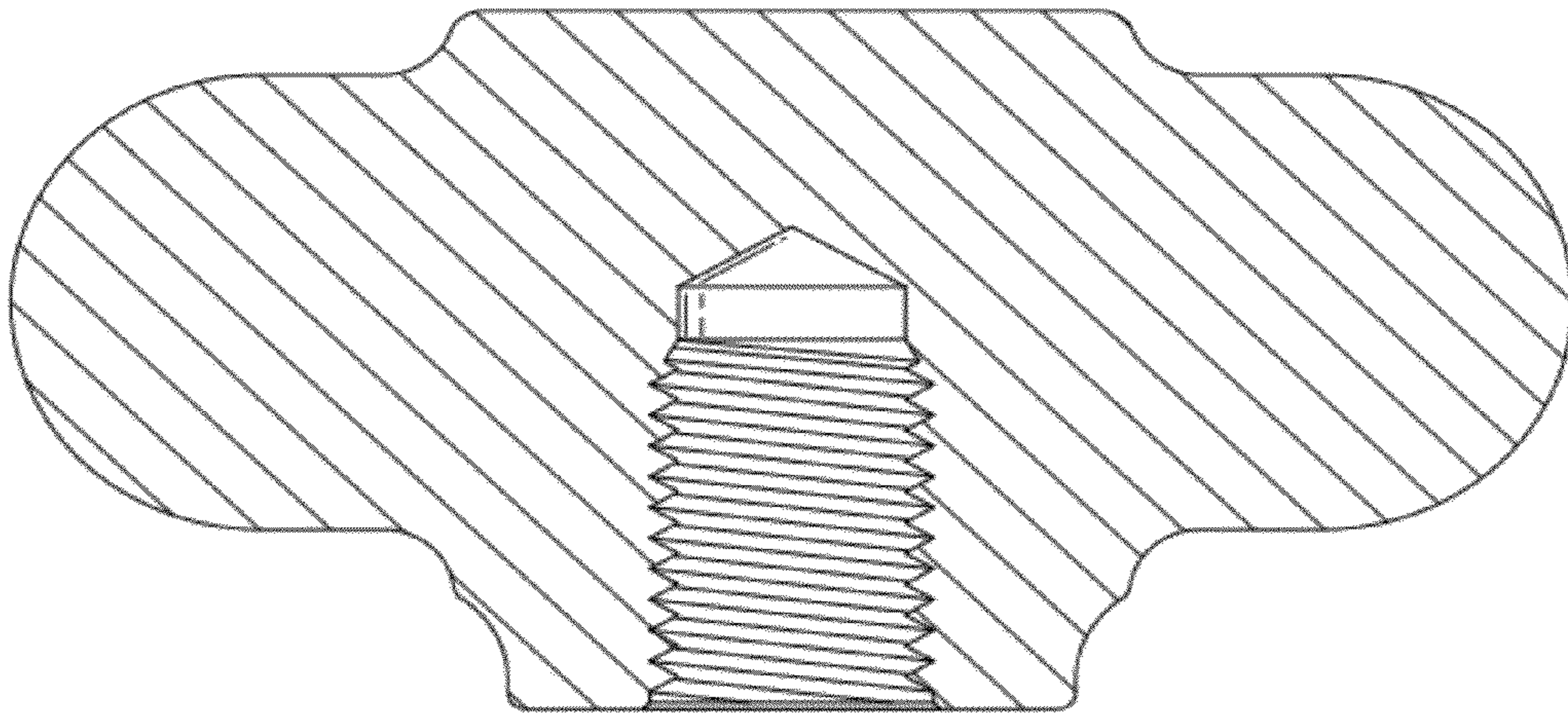


FIG. 7

