



US00D657649S

(12) **United States Design Patent**
Muccino et al.

(10) **Patent No.:** **US D657,649 S**
(45) **Date of Patent:** **** Apr. 17, 2012**

(54) **UTILITY KNIFE**

(75) Inventors: **Alfredo Muccino**, San Jose, CA (US);
Scot Herbst, San Jose, CA (US); **Alan Regala**, Seattle, WA (US)

(73) Assignee: **Slice, Inc.**, Campbell, CA (US)

(**) Term: **14 Years**

(21) Appl. No.: **29/377,309**

(22) Filed: **Oct. 20, 2010**

(51) **LOC (9) Cl.** **08-03**

(52) **U.S. Cl.** **D8/99**

(58) **Field of Classification Search** D8/95-99,
D8/105, 107; D22/118; 30/154-162, 329-331,
30/339

See application file for complete search history.

(56) **References Cited**

U.S. PATENT DOCUMENTS

4,005,892	A *	2/1977	Williams	294/1.4
4,058,337	A *	11/1977	Isac	294/1.4
D329,822	S *	9/1992	Francisco	D10/104.1
D343,950	S *	2/1994	Just	D3/6
D399,721	S *	10/1998	Torre	D8/99
D405,677	S *	2/1999	Mosley	D8/107
D463,657	S *	10/2002	Wilkinson	D3/7
D474,095	S *	5/2003	Luquire	D8/99
D529,362	S *	10/2006	Barber et al.	D8/99
D533,427	S *	12/2006	Barber et al.	D8/99

D586,197	S *	2/2009	Della Polla	D8/99
D631,724	S *	2/2011	Della Polla	D8/98
2001/0024366	A1 *	9/2001	Chen	362/119
2011/0088264	A1 *	4/2011	Muccino et al.	30/162
2011/0119927	A1 *	5/2011	Mueller	30/162

* cited by examiner

Primary Examiner — Philip S Hyder

Assistant Examiner — Roselynn Cody

(74) *Attorney, Agent, or Firm* — James M. Smedley LLC;
James Michael Smedley, Esq.

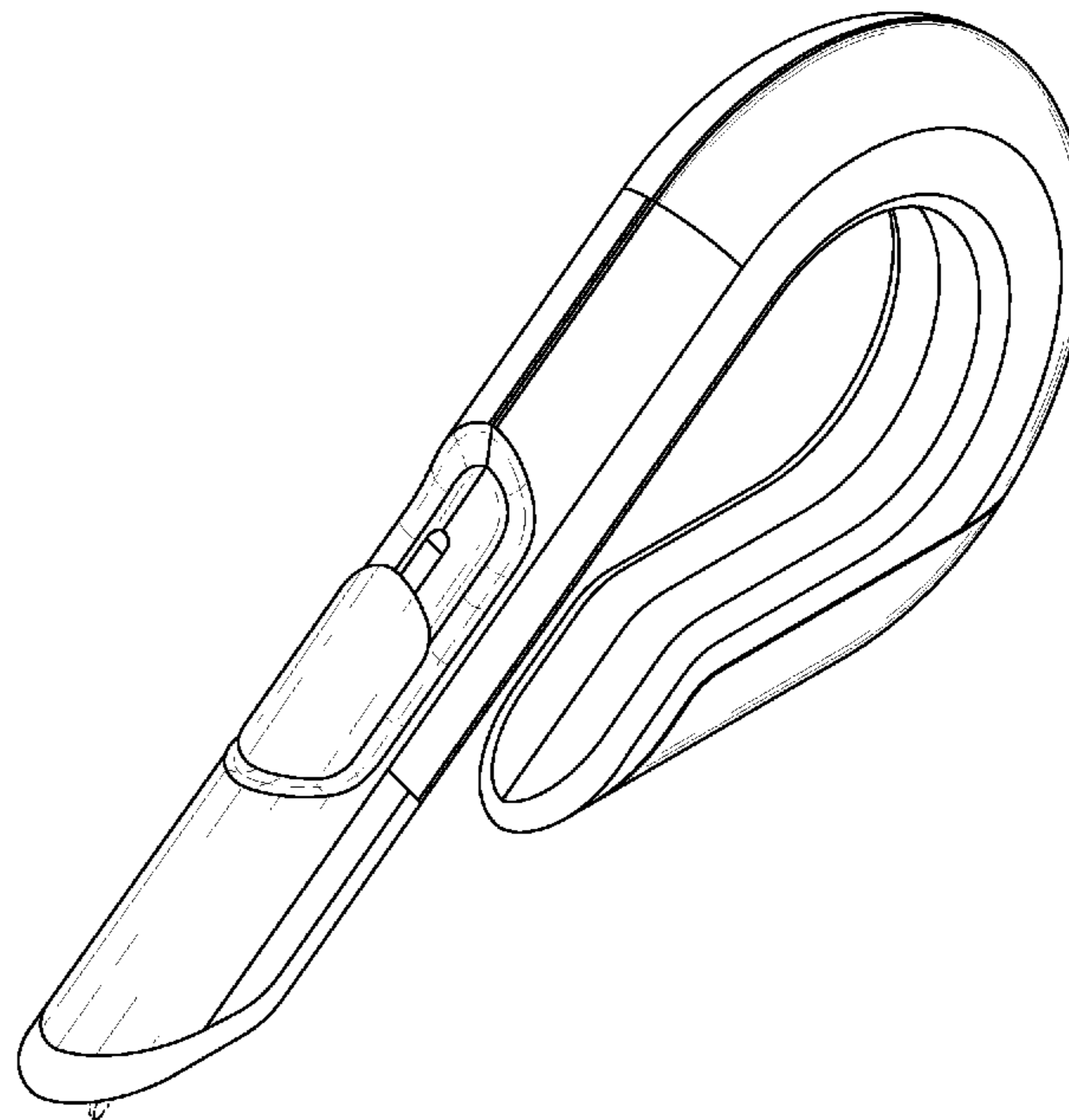
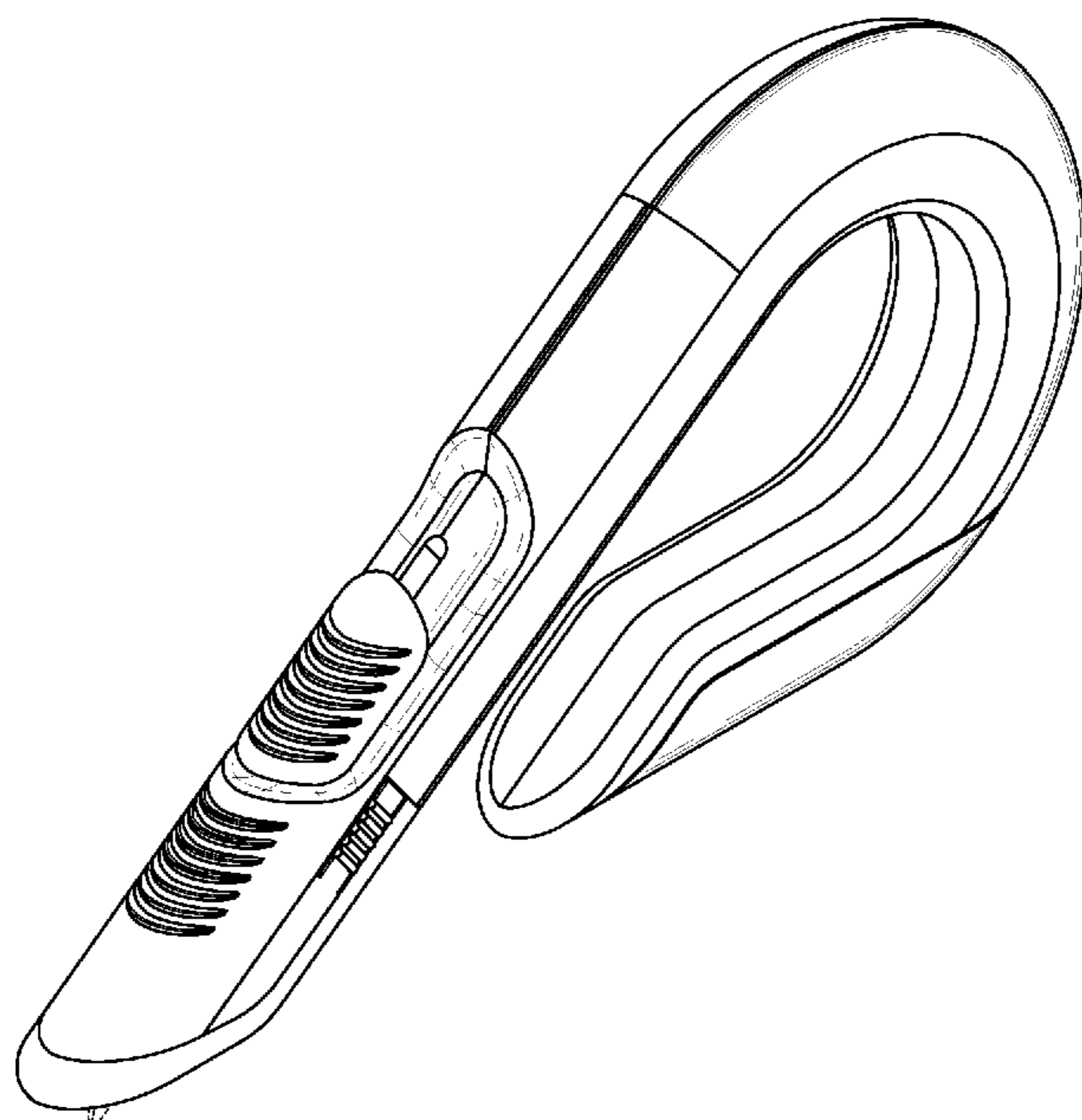
(57) **CLAIM**

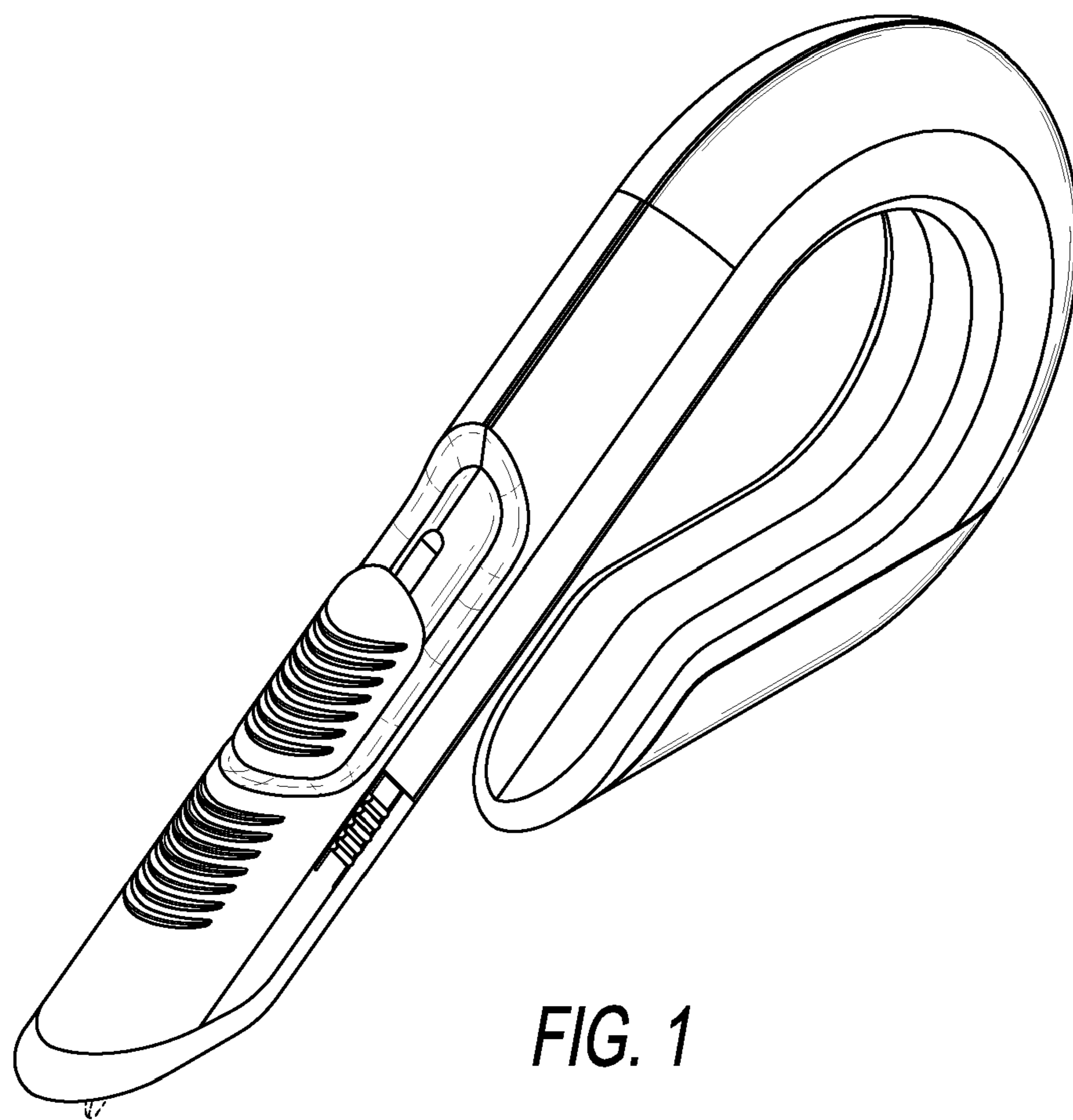
We claim the ornamental design for a utility knife, as shown and described.

DESCRIPTION

FIG. 1 is a perspective view showing my new utility knife.
 FIG. 2 is a left side view thereof.
 FIG. 3 is a right side view thereof.
 FIG. 4 is a rear view thereof.
 FIG. 5 is a front view thereof.
 FIG. 6 is a top view thereof.
 FIG. 7 is a bottom view thereof.
 FIG. 8 is a perspective view of an alternative embodiment of my new utility knife.
 FIG. 9 is a side view thereof.
 FIG. 10 is a front view thereof; and,
 FIG. 11 is a top view thereof.
 The broken lines in the drawings illustrate a blade that forms no part of the claimed design.

1 Claim, 5 Drawing Sheets





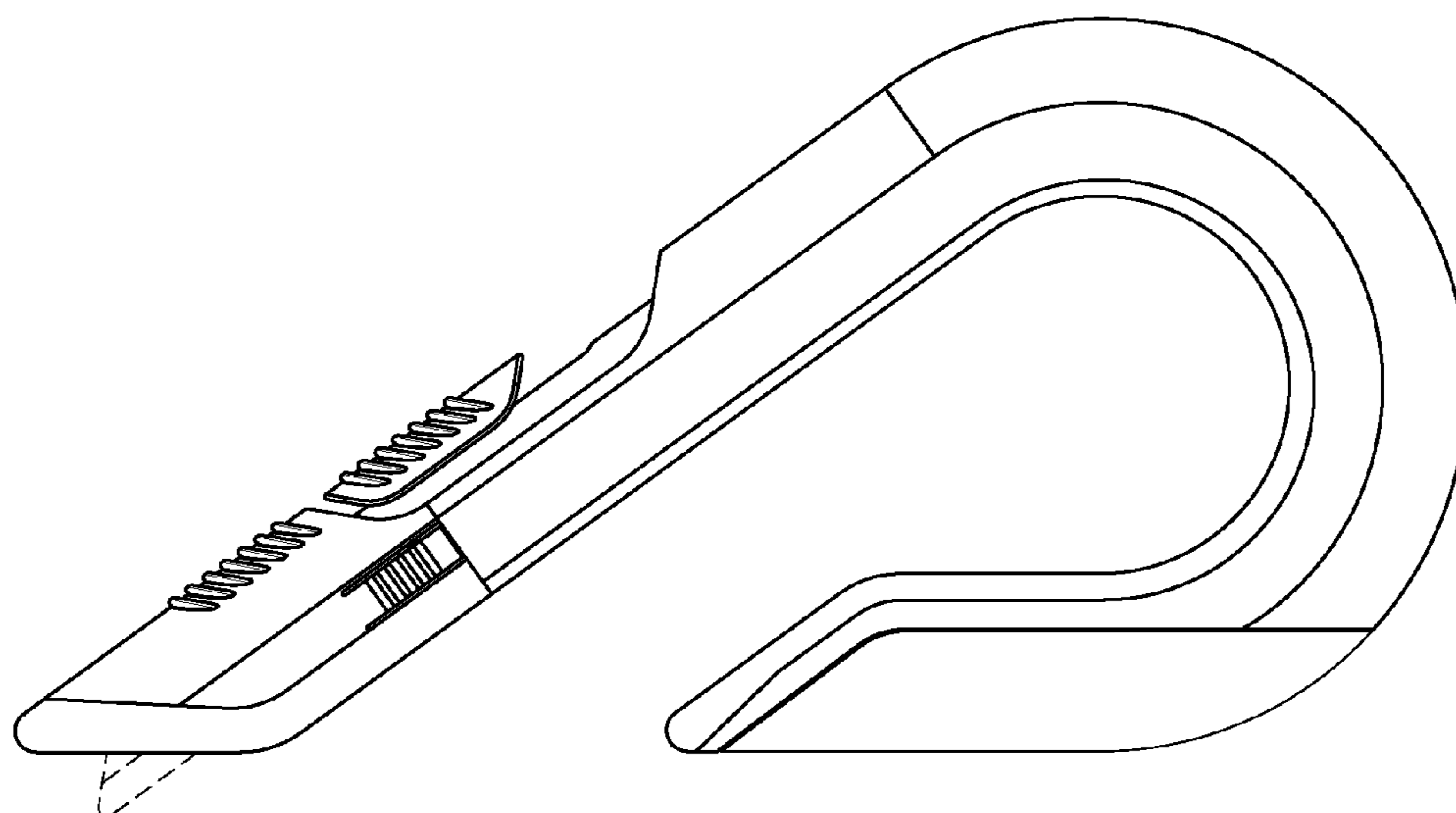


FIG. 2

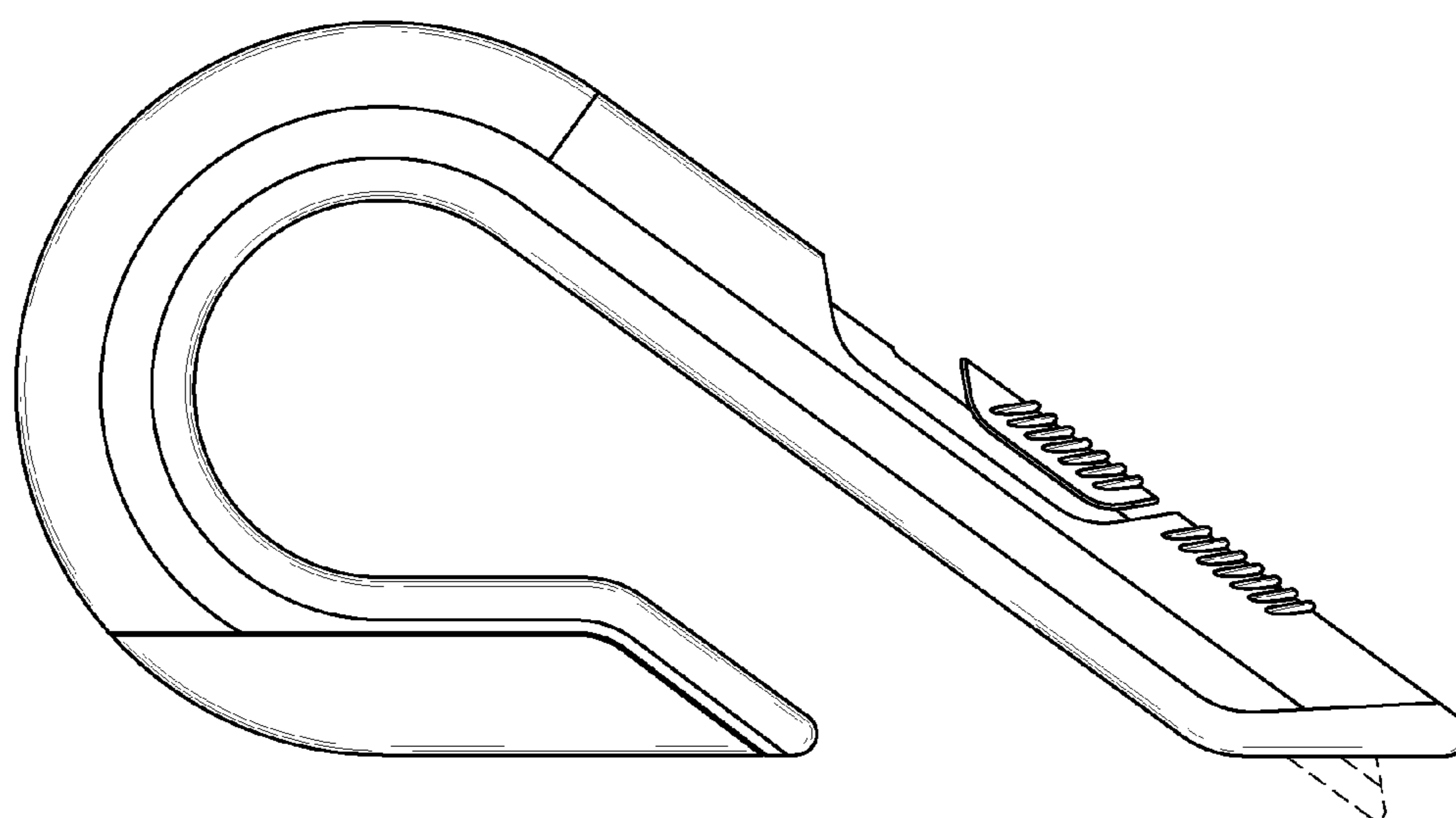


FIG. 3

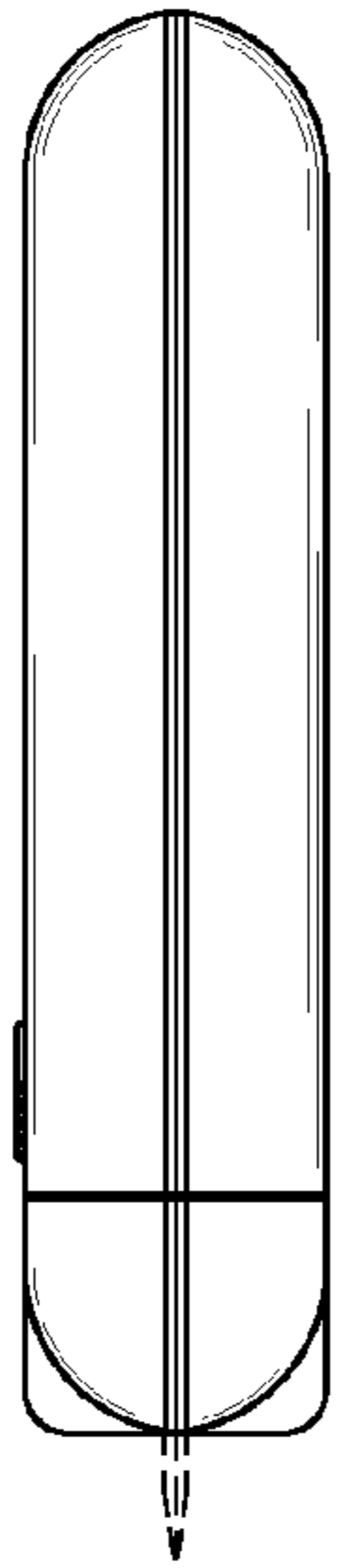


FIG. 4

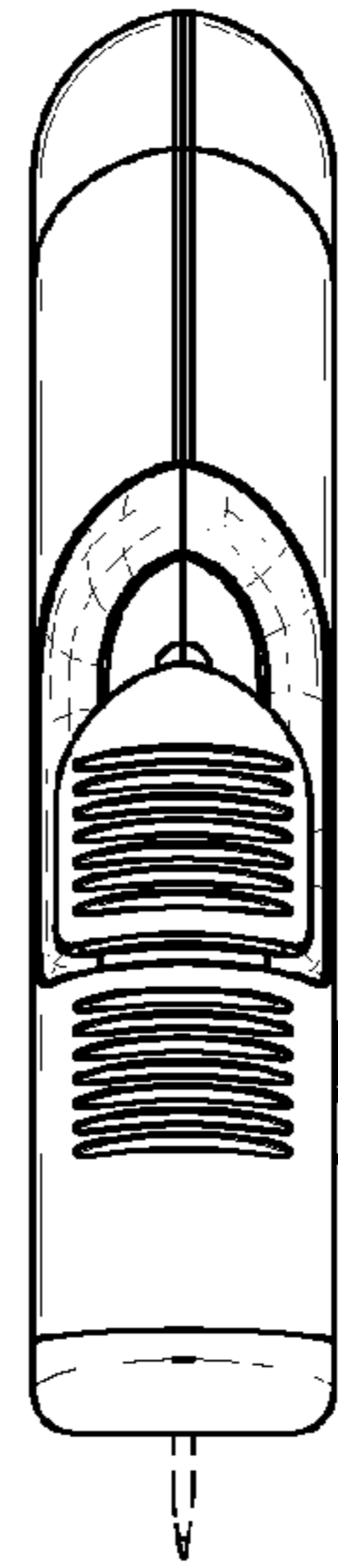


FIG. 5

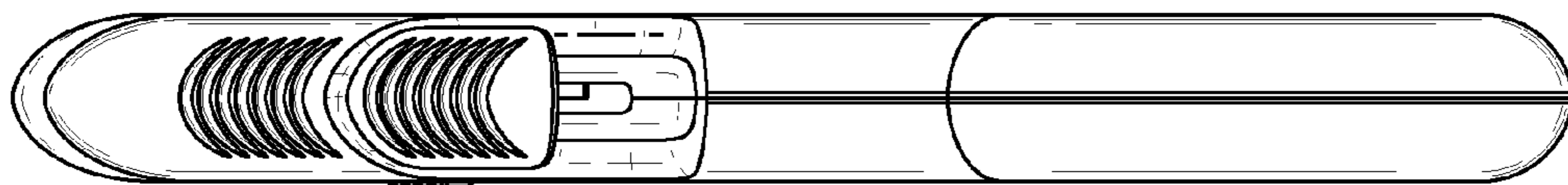


FIG. 6

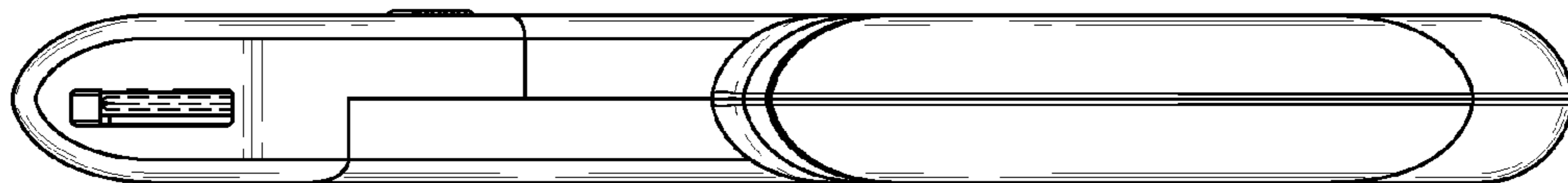


FIG. 7

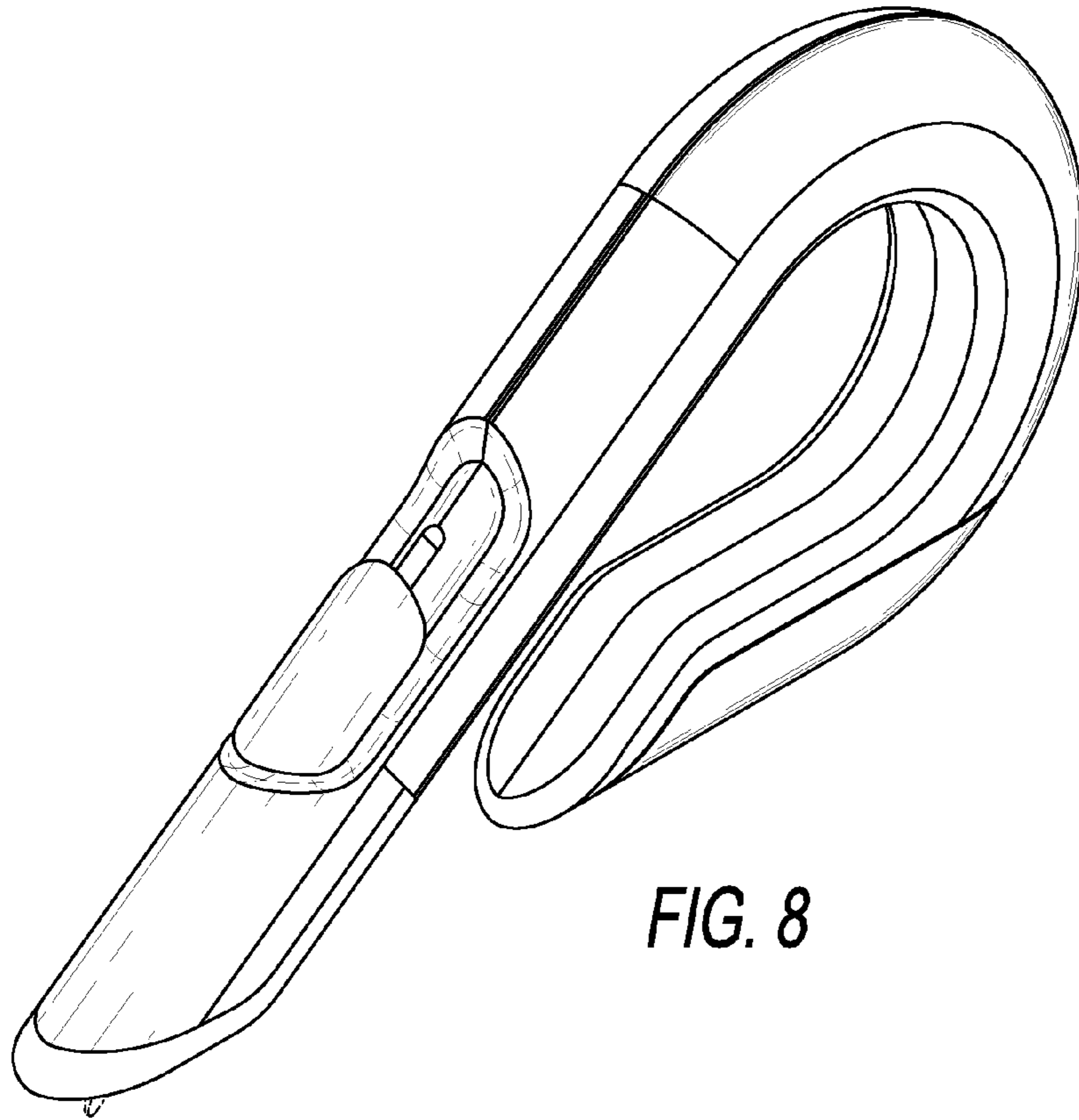


FIG. 8

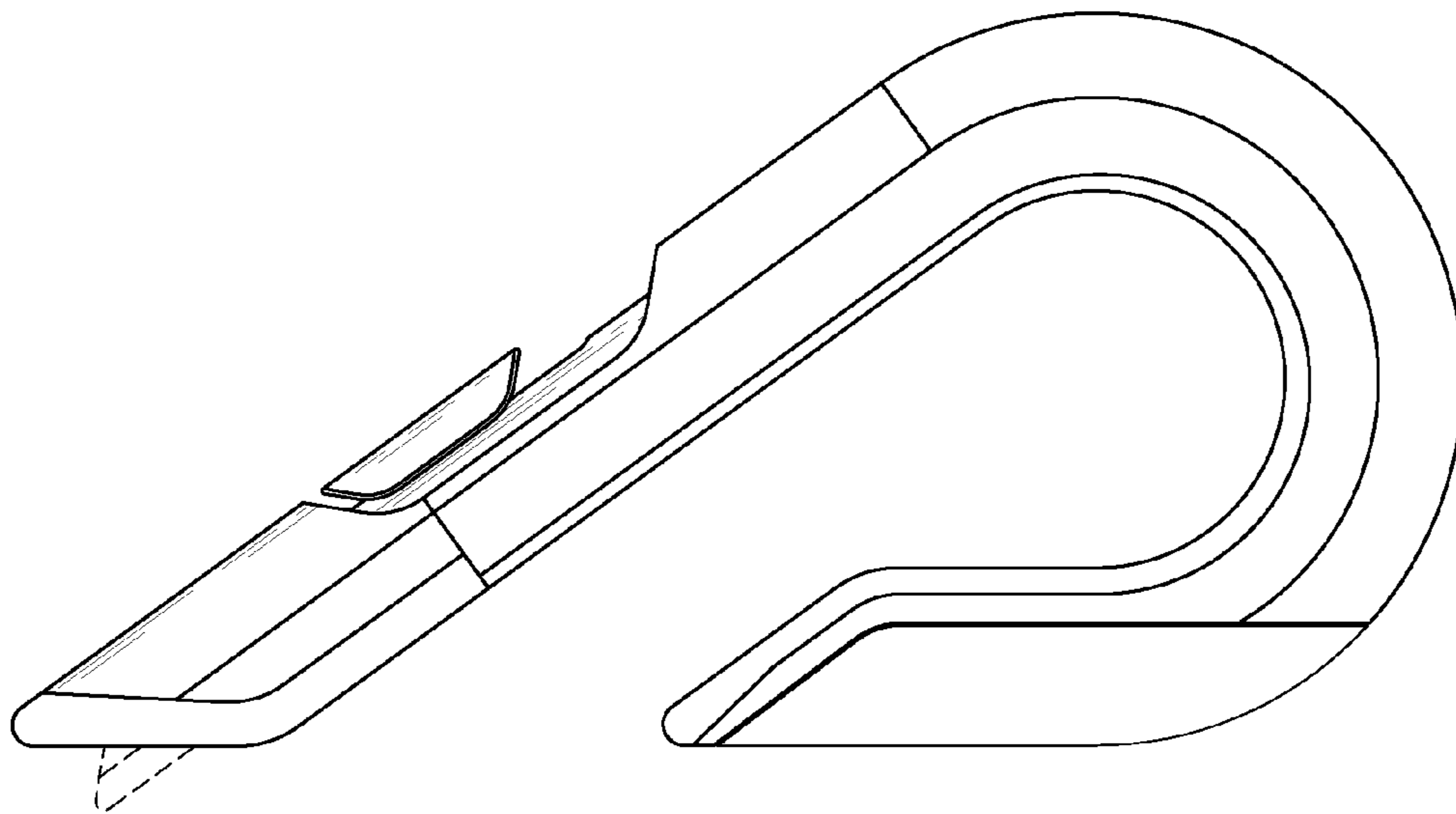


FIG. 9

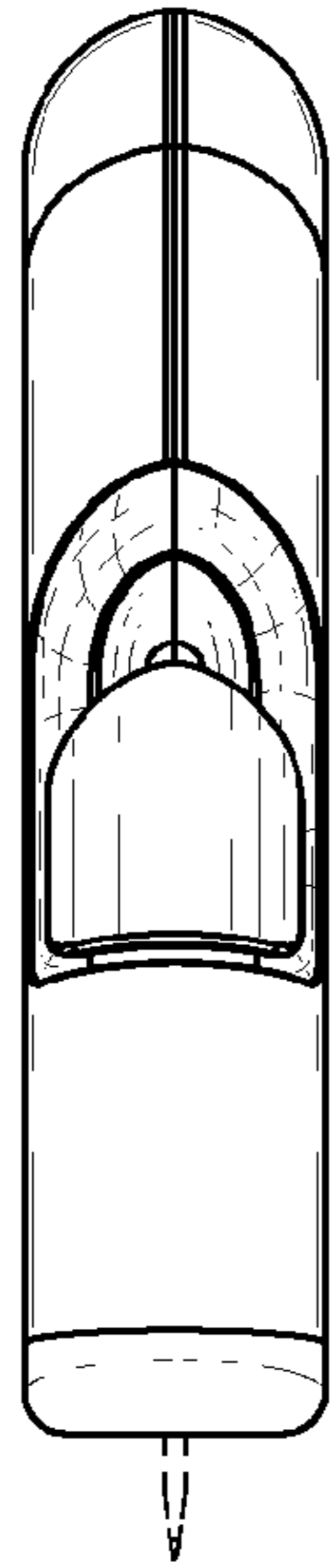


FIG. 10

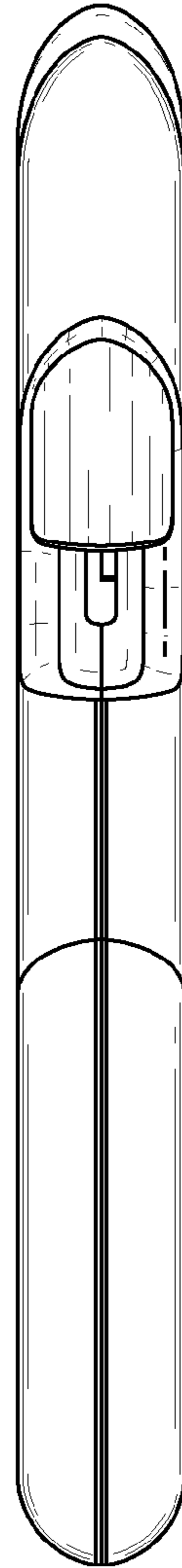


FIG. 11