



US00D657648S

(12) **United States Design Patent**
Wachsmann

(10) **Patent No.:** **US D657,648 S**

(45) **Date of Patent:** **** Apr. 17, 2012**

(54) **CHISEL HOLDER**

(75) Inventor: **Steffen Wachsmann**, Koblenz (DE)

(73) Assignee: **BOMAG GmbH**, Boppard (DE)

(**) Term: **14 Years**

(21) Appl. No.: **29/376,476**

(22) Filed: **Oct. 7, 2010**

(30) **Foreign Application Priority Data**

Apr. 7, 2010 (EM) 001691734

(51) **LOC (9) Cl.** **08-05**

(52) **U.S. Cl.** **D8/71**

(58) **Field of Classification Search** D8/71;
206/349; 209/106; 299/102, 105, 108; 408/204

See application file for complete search history.

(56) **References Cited**

U.S. PATENT DOCUMENTS

7,784,875 B2 * 8/2010 Holl et al. 299/102
2011/0148178 A1 * 6/2011 Lehnert et al. 299/105
* cited by examiner

Primary Examiner — Antoine D Davis

(74) *Attorney, Agent, or Firm* — Baker & Hostetler LLP

(57) **CLAIM**

The ornamental design for a chisel holder, as shown and described.

DESCRIPTION

FIG. 1 is a perspective front view of a chisel holder, showing my new design;

FIG. 2 is a front view thereof;

FIG. 3 is a rear view thereof.

FIG. 4 is a right side view thereof;

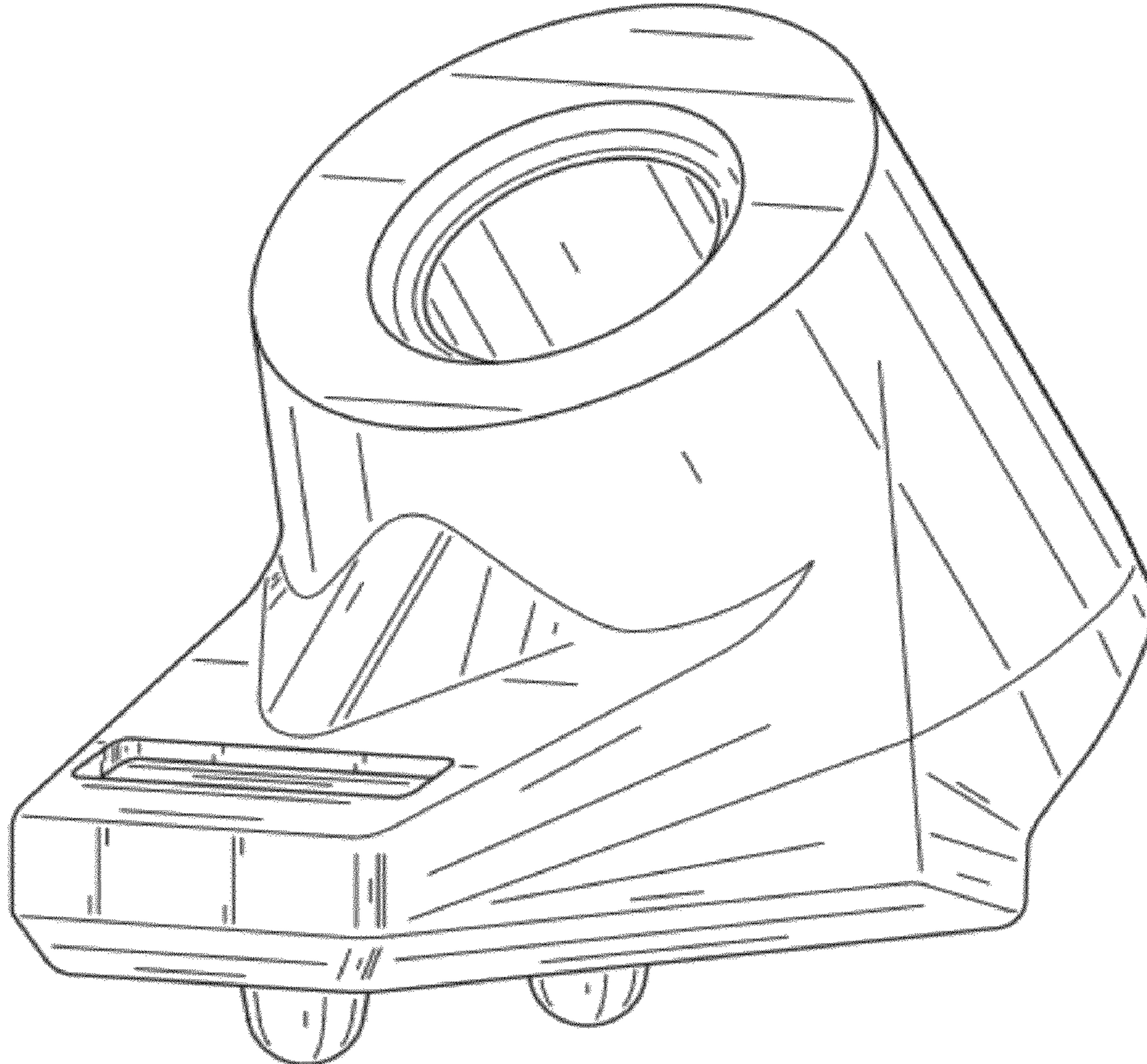
FIG. 5 is a left side view thereof;

FIG. 6 is a top view thereof;

FIG. 7 is a bottom view thereof; and,

FIG. 8 is perspective bottom view thereof.

1 Claim, 8 Drawing Sheets



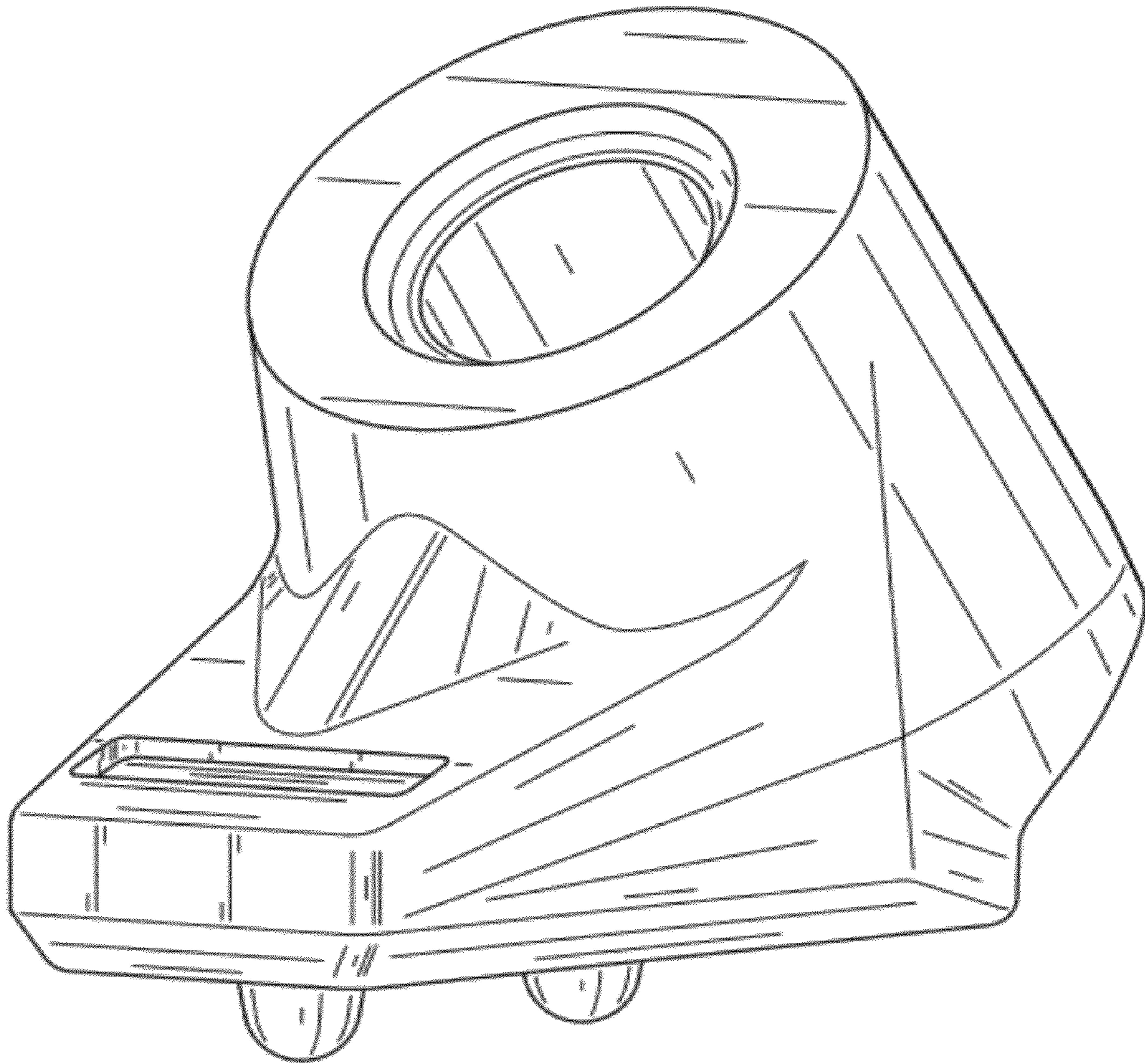


FIG. 1

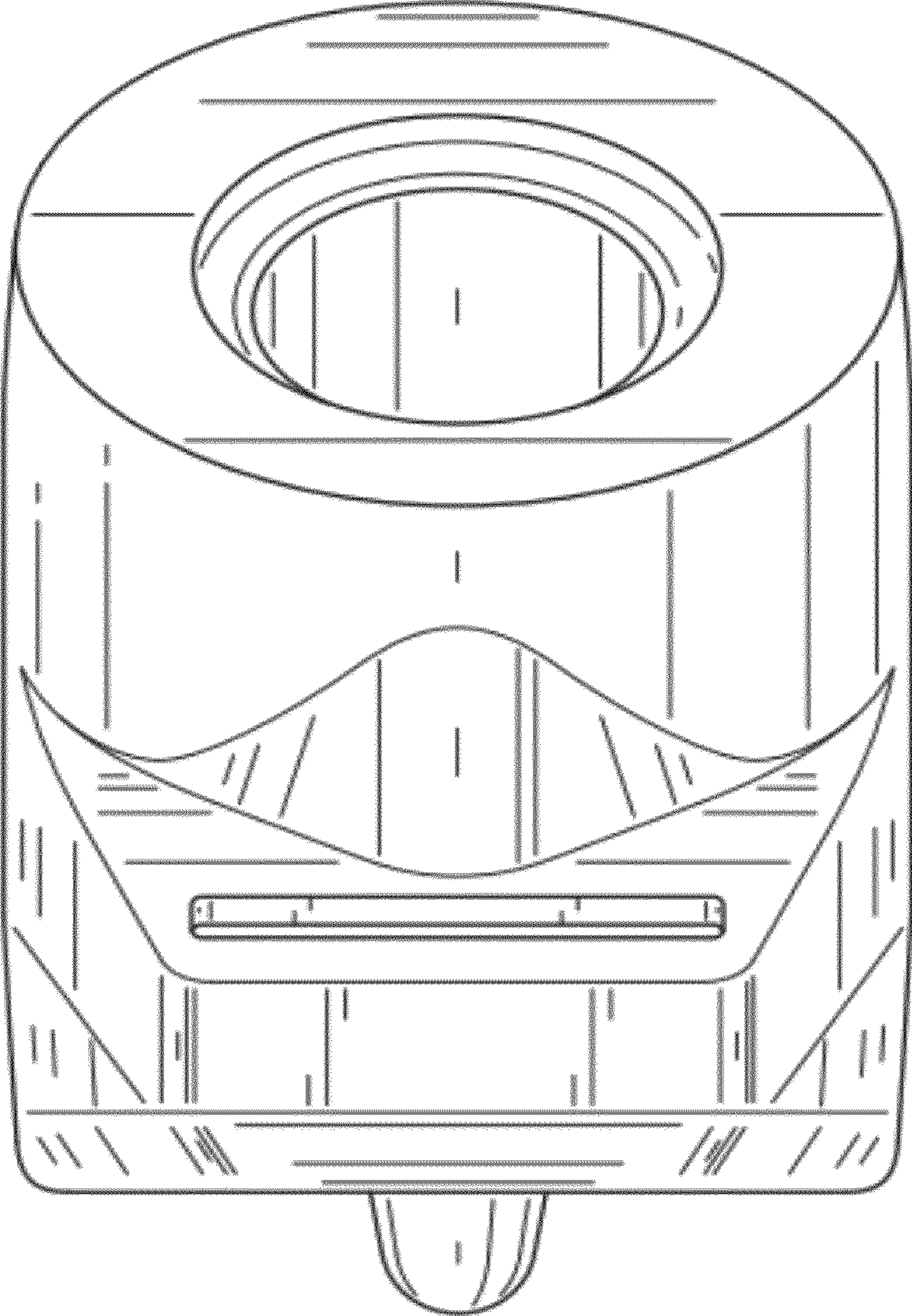


FIG. 2

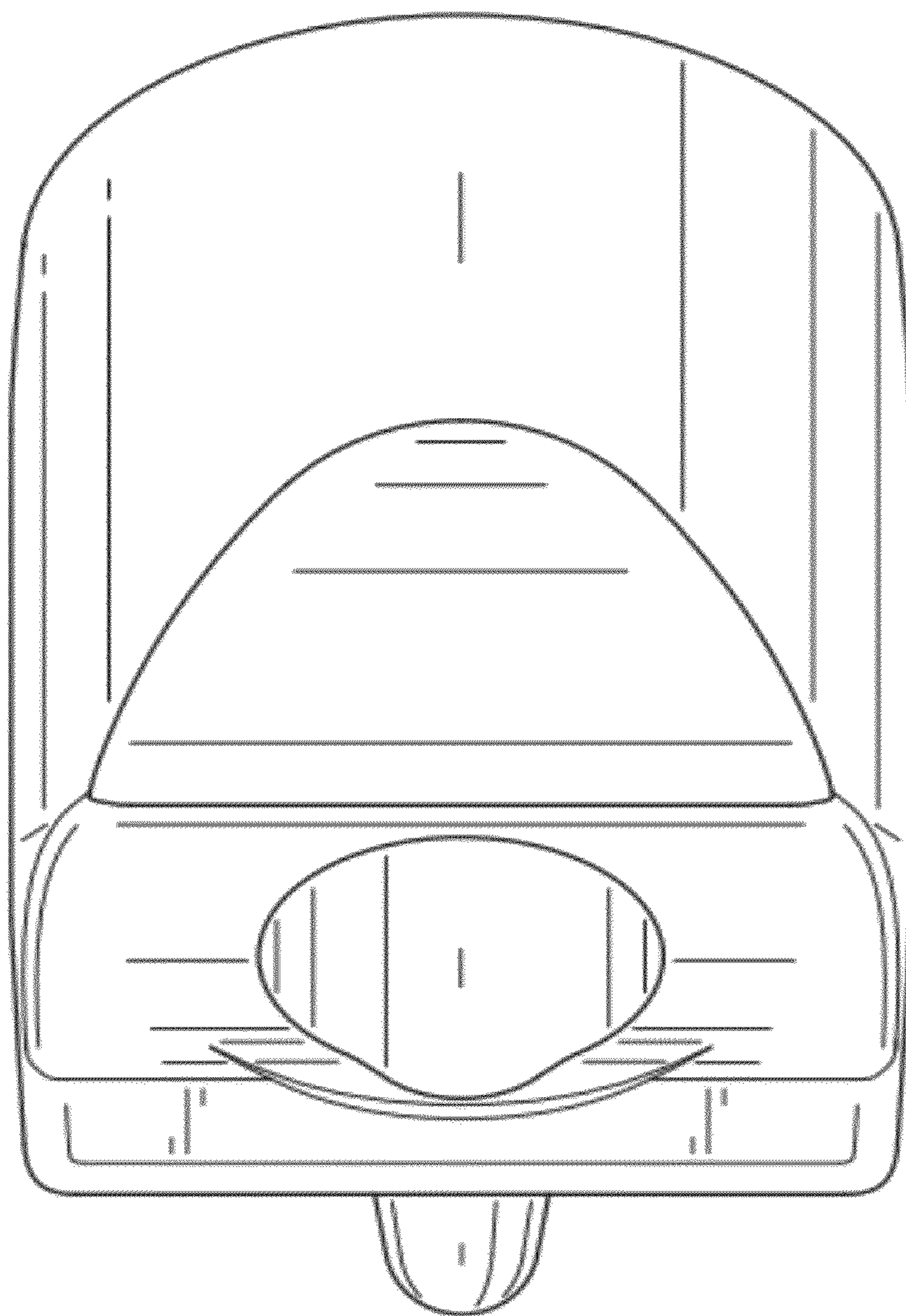


FIG. 3

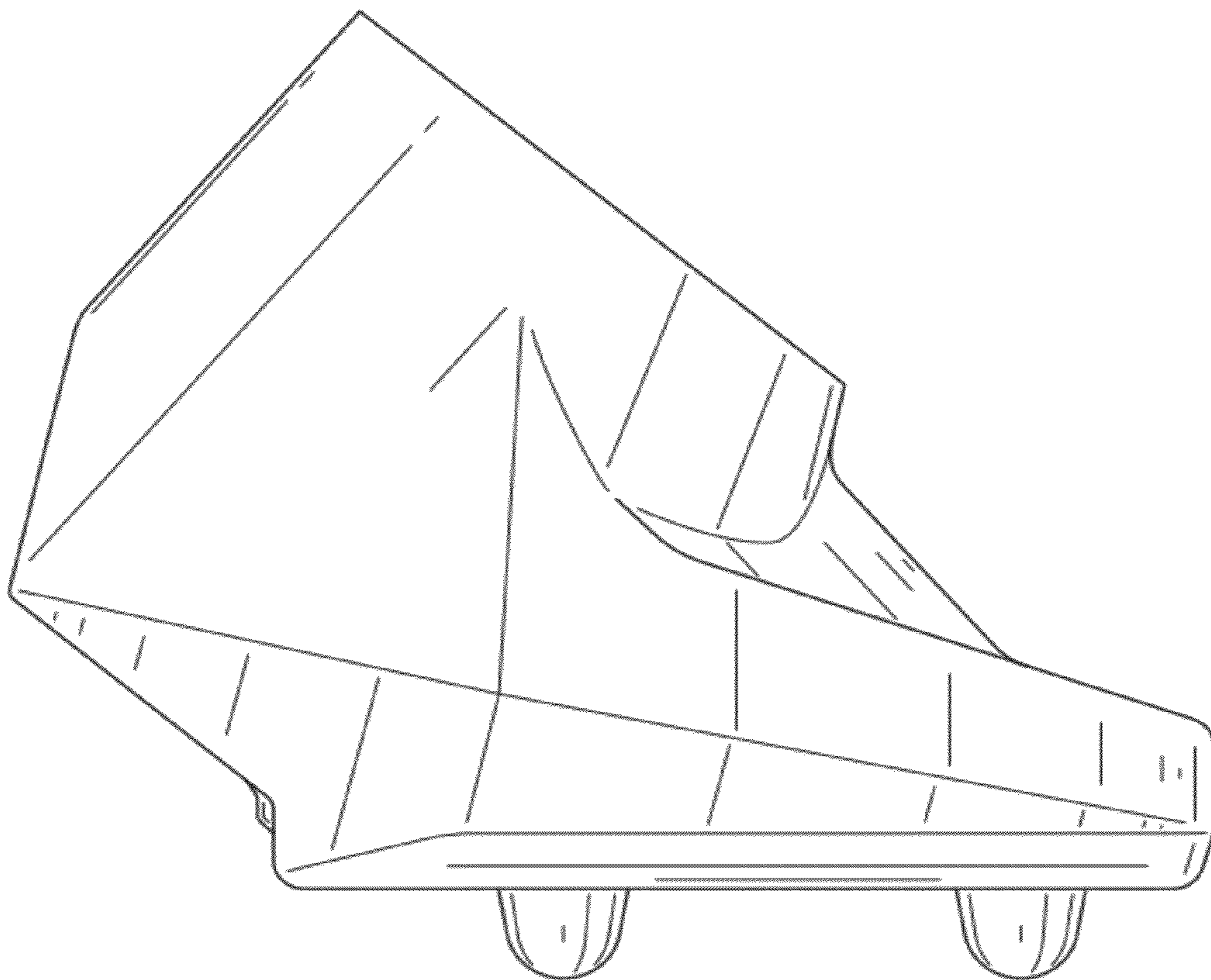


FIG. 4

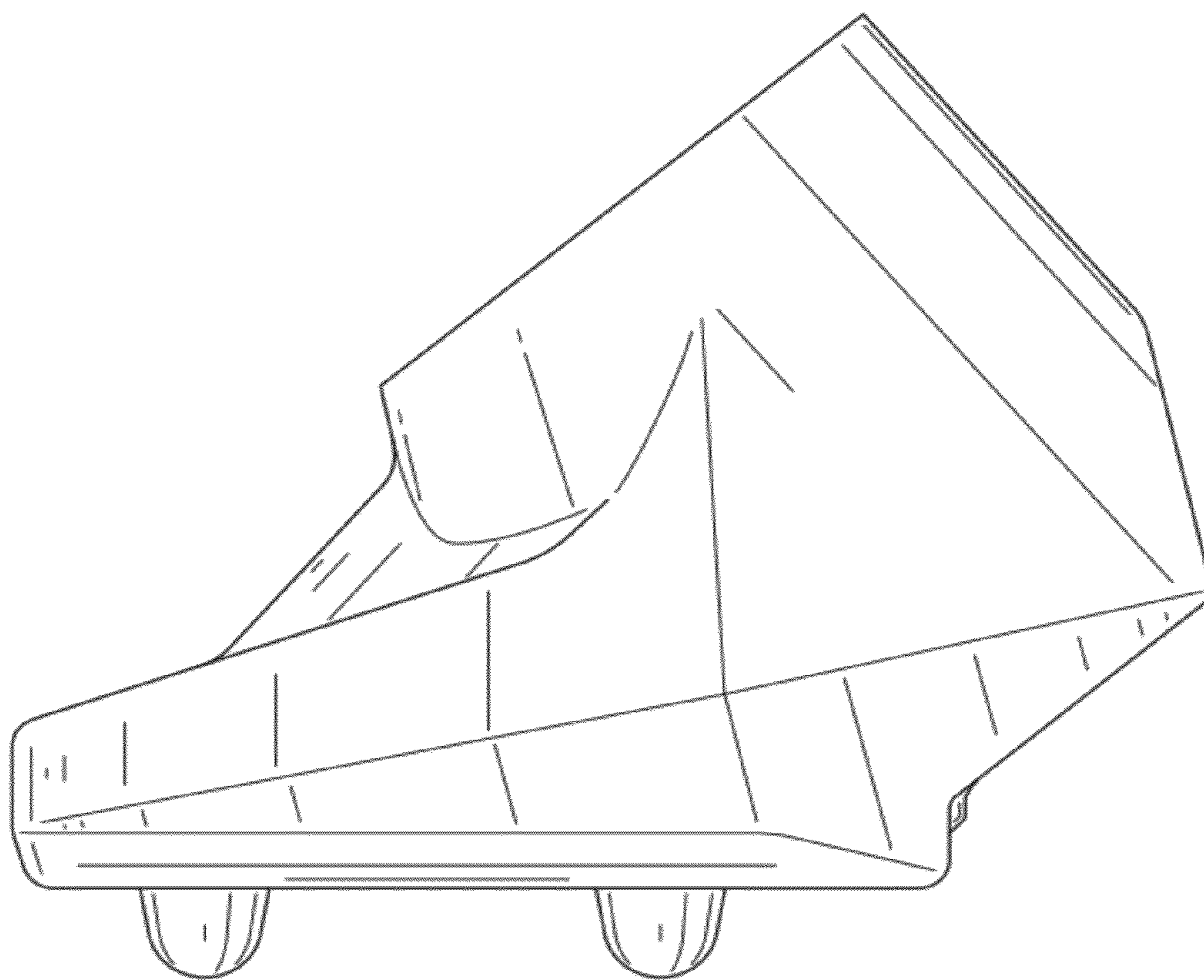


FIG. 5

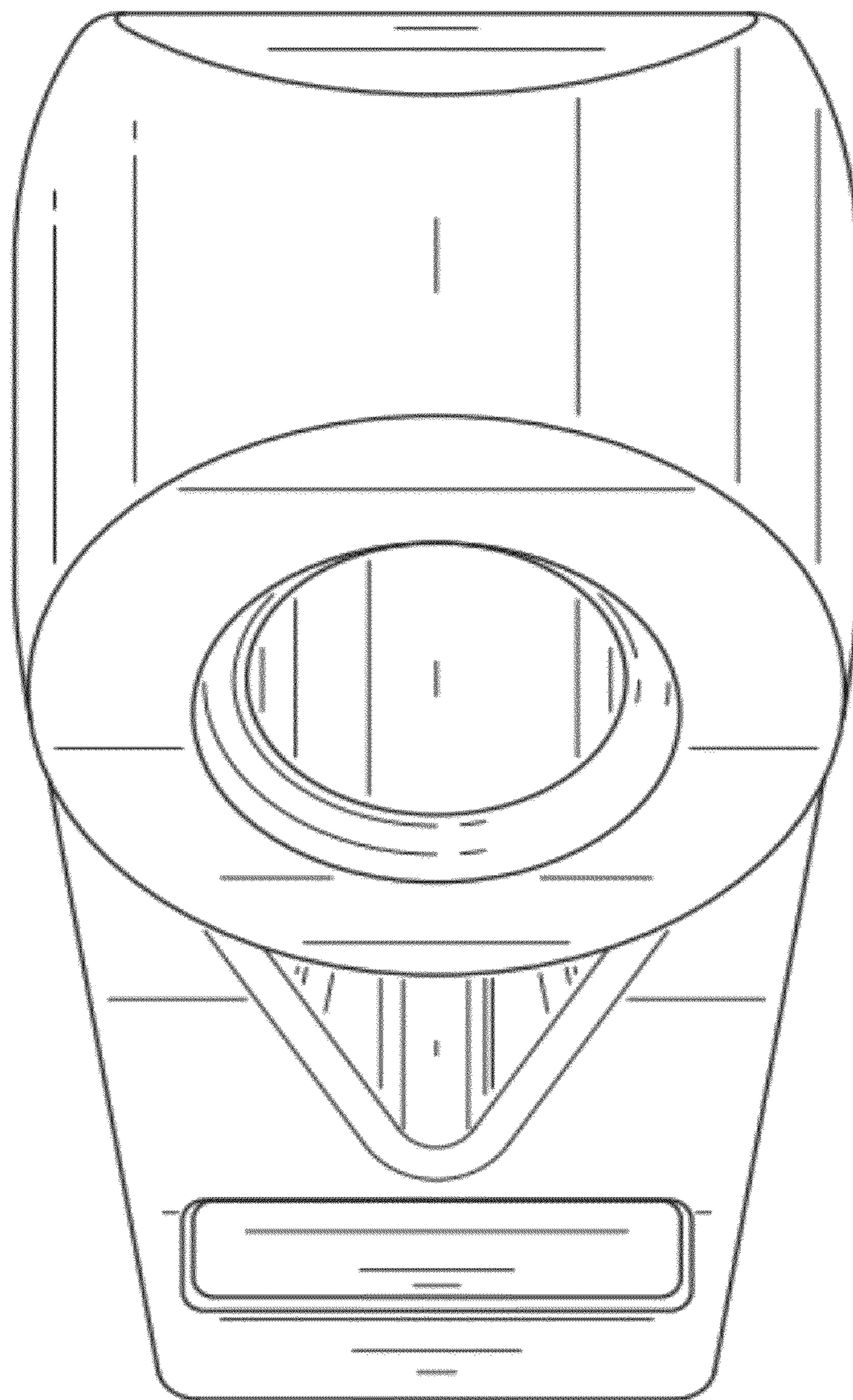


FIG. 6

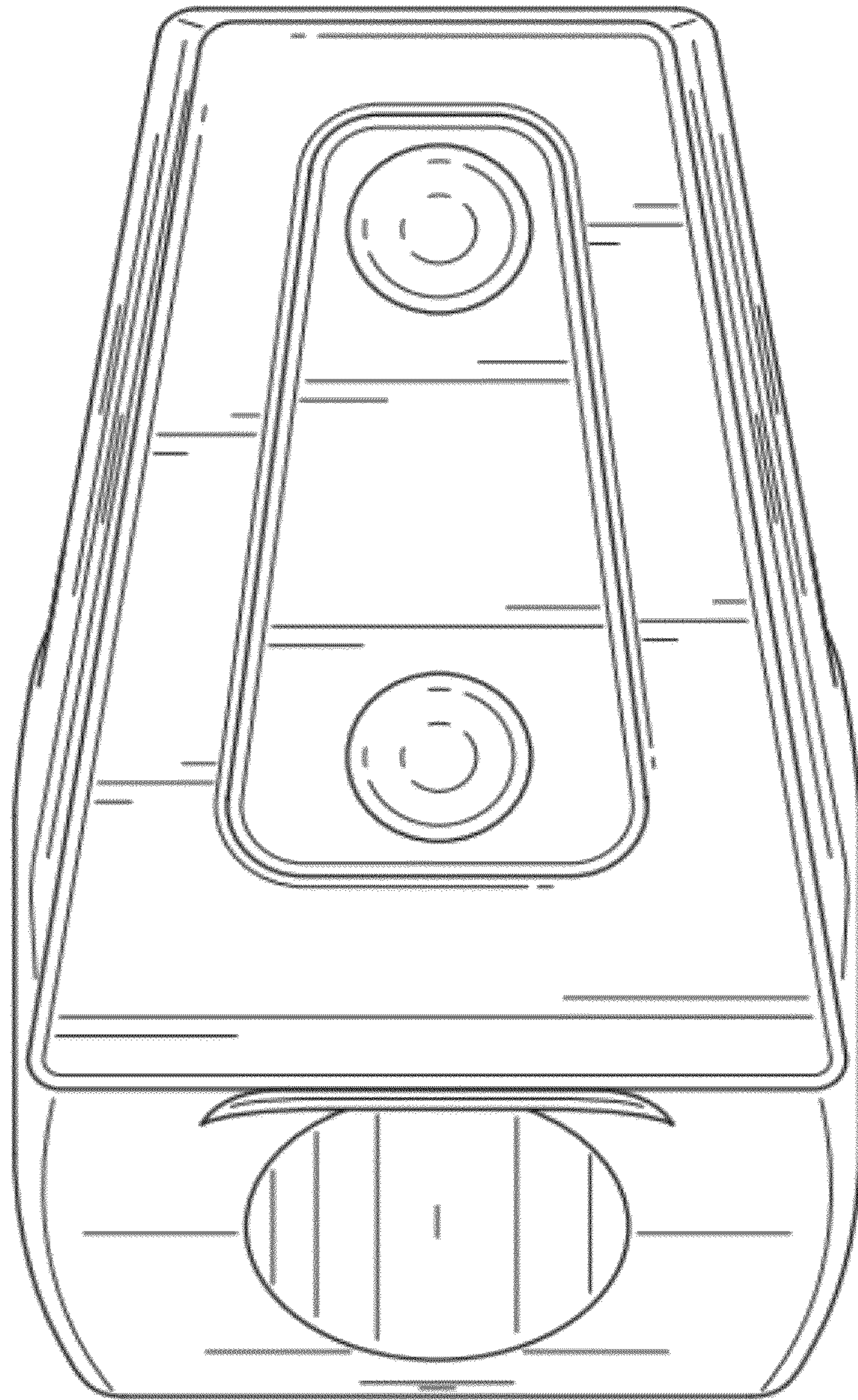


FIG. 7

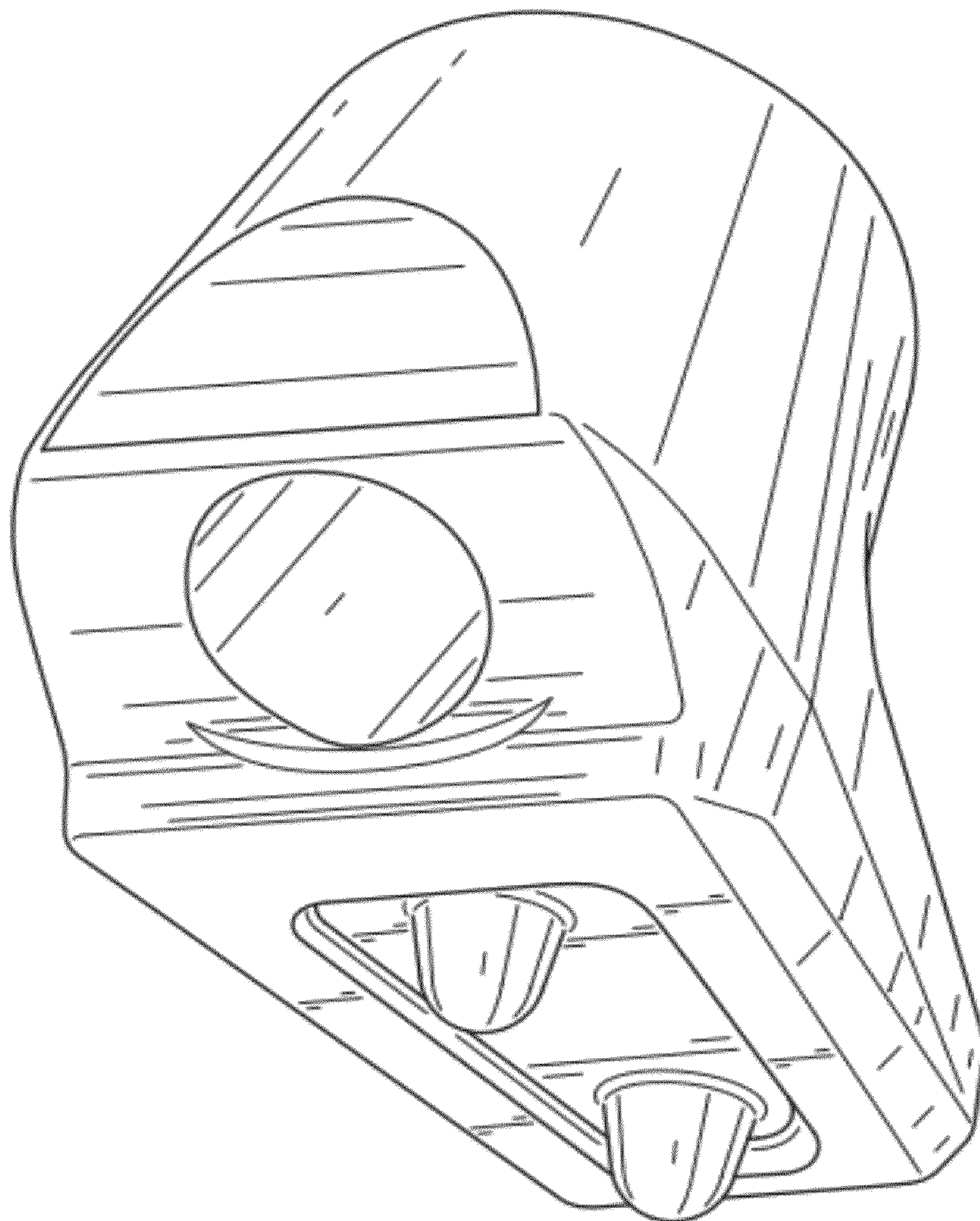


FIG. 8