

US00D657647S

(12) **United States Design Patent**  
**Tinius**

(10) **Patent No.:** **US D657,647 S**

(45) **Date of Patent:** **\*\* Apr. 17, 2012**

(54) **BREAKER**

(75) Inventor: **Michael Tinius**, Ulm (DE)

(73) Assignee: **Hilti Aktiengesellschaft**, Schaan (LI)

(\*\*) Term: **14 Years**

(21) Appl. No.: **29/383,089**

(22) Filed: **Jan. 12, 2011**

(30) **Foreign Application Priority Data**

Jul. 30, 2010 (WO) ..... DM/074 117

(51) **LOC (9) Cl.** ..... **08-02**

(52) **U.S. Cl.** ..... **D8/67**

(58) **Field of Classification Search** ..... D8/65,  
D8/7, 8, 9, 70, 66, 67, 62, 63, 64, 61, 91;  
81/57.11, 54, 57, 42; 173/170, 271, 171,  
173/205; 74/55

See application file for complete search history.

(56) **References Cited**

**U.S. PATENT DOCUMENTS**

D175,853	S	*	10/1955	Polk	.....	D8/99
D364,327	S	*	11/1995	Graham	.....	D8/105
D429,988	S	*	8/2000	Lau et al.	.....	D8/105
D433,915	S	*	11/2000	Elsener, Sr.	.....	D8/105
D462,002	S	*	8/2002	Jean et al.	.....	D8/105
D469,677	S	*	2/2003	Hung	.....	D8/105
D471,421	S	*	3/2003	Lang	.....	D8/105

7,059,741	B2	*	6/2006	Elsener	.....	362/119
D580,455	S	*	11/2008	Elsener	.....	D14/496
D623,039	S	*	9/2010	Seeds et al.	.....	D8/107
D630,080	S	*	1/2011	Seeds et al.	.....	D8/105
D630,924	S	*	1/2011	Steineckert et al.	.....	D8/105
D645,722	S	*	9/2011	Yamaguchi	.....	D8/105
D648,203	S	*	11/2011	Avery et al.	.....	D8/105
2004/0003472	A1	*	1/2004	Dallas et al.	.....	7/128
2006/0096035	A1	*	5/2006	Ocklenburg	.....	7/155
2011/0010866	A1	*	1/2011	Green et al.	.....	7/118

\* cited by examiner

*Primary Examiner* — Austin Murphy

(74) *Attorney, Agent, or Firm* — Crowell & Moring LLP

(57) **CLAIM**

The ornamental design for a breaker, as shown and described.

**DESCRIPTION**

FIG. 1 is a right, front perspective view of a breaker according to my design;

FIG. 2 is a front view thereof;

FIG. 3 is a rear view thereof;

FIG. 4 is a left side view thereof;

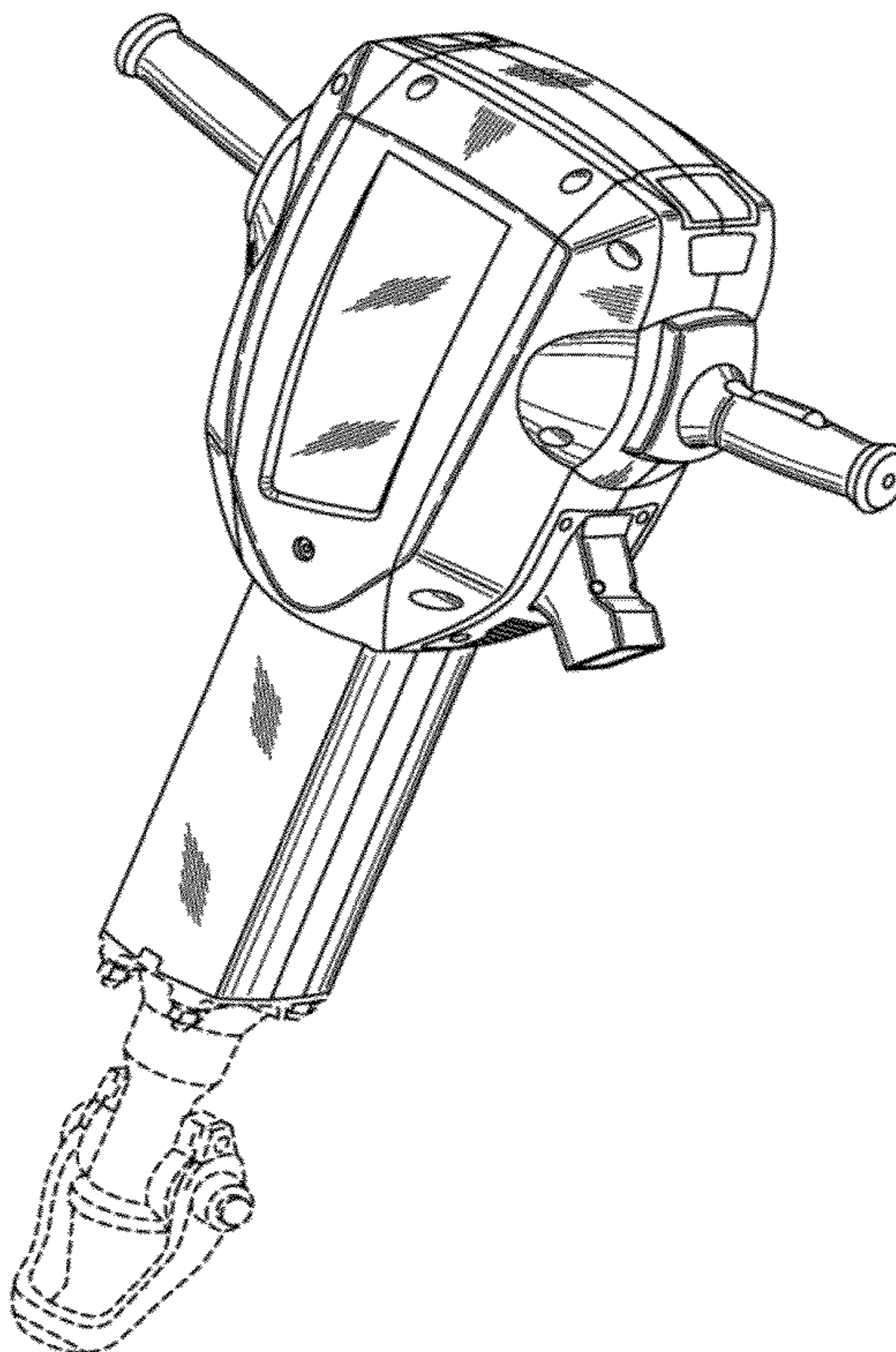
FIG. 5 is a right side view thereof;

FIG. 6 is a top view thereof; and,

FIG. 7 is a bottom view thereof.

The broken lines are for illustrative purposes only and form no part of the claimed design.

**1 Claim, 7 Drawing Sheets**



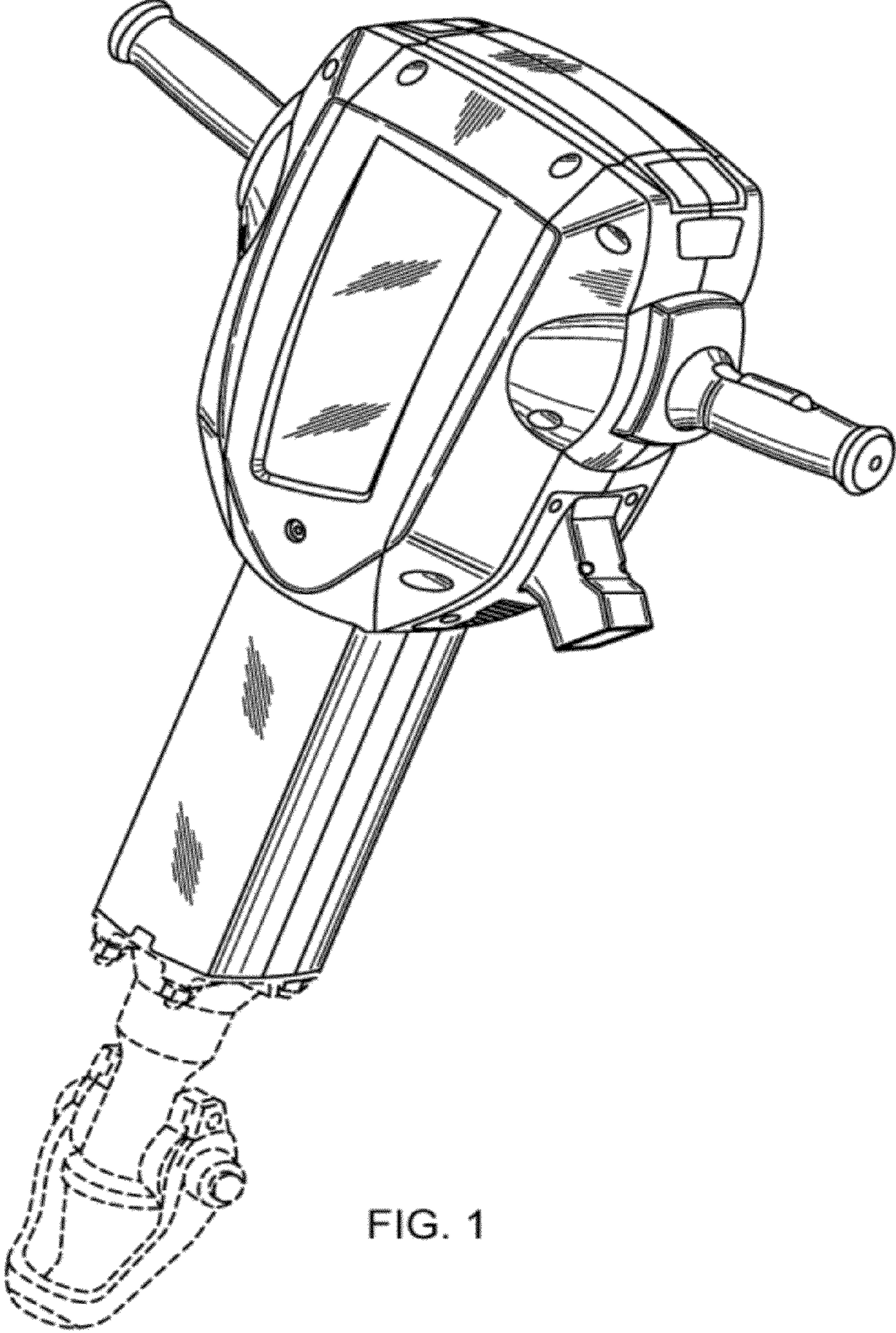


FIG. 1

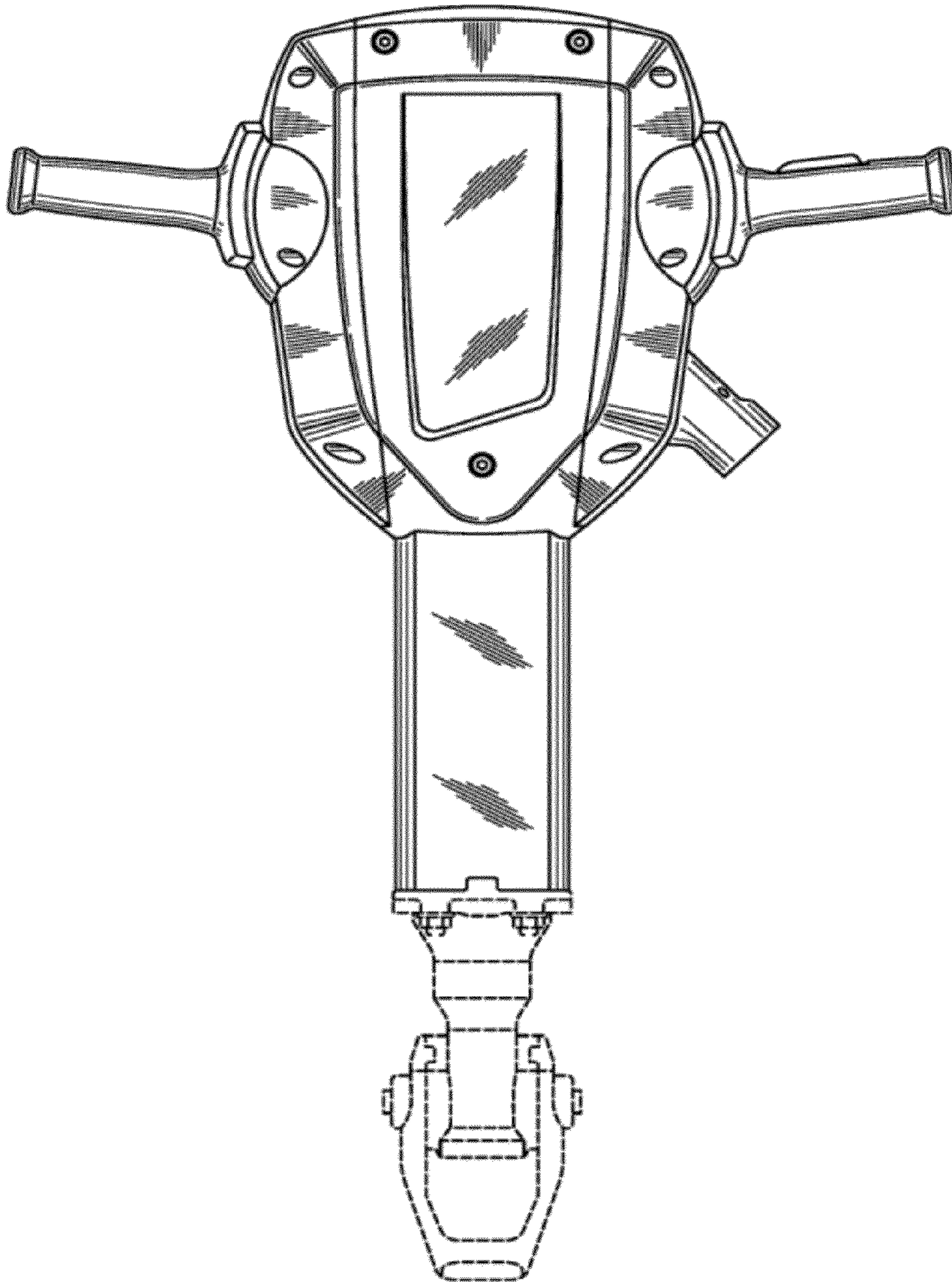


FIG. 2

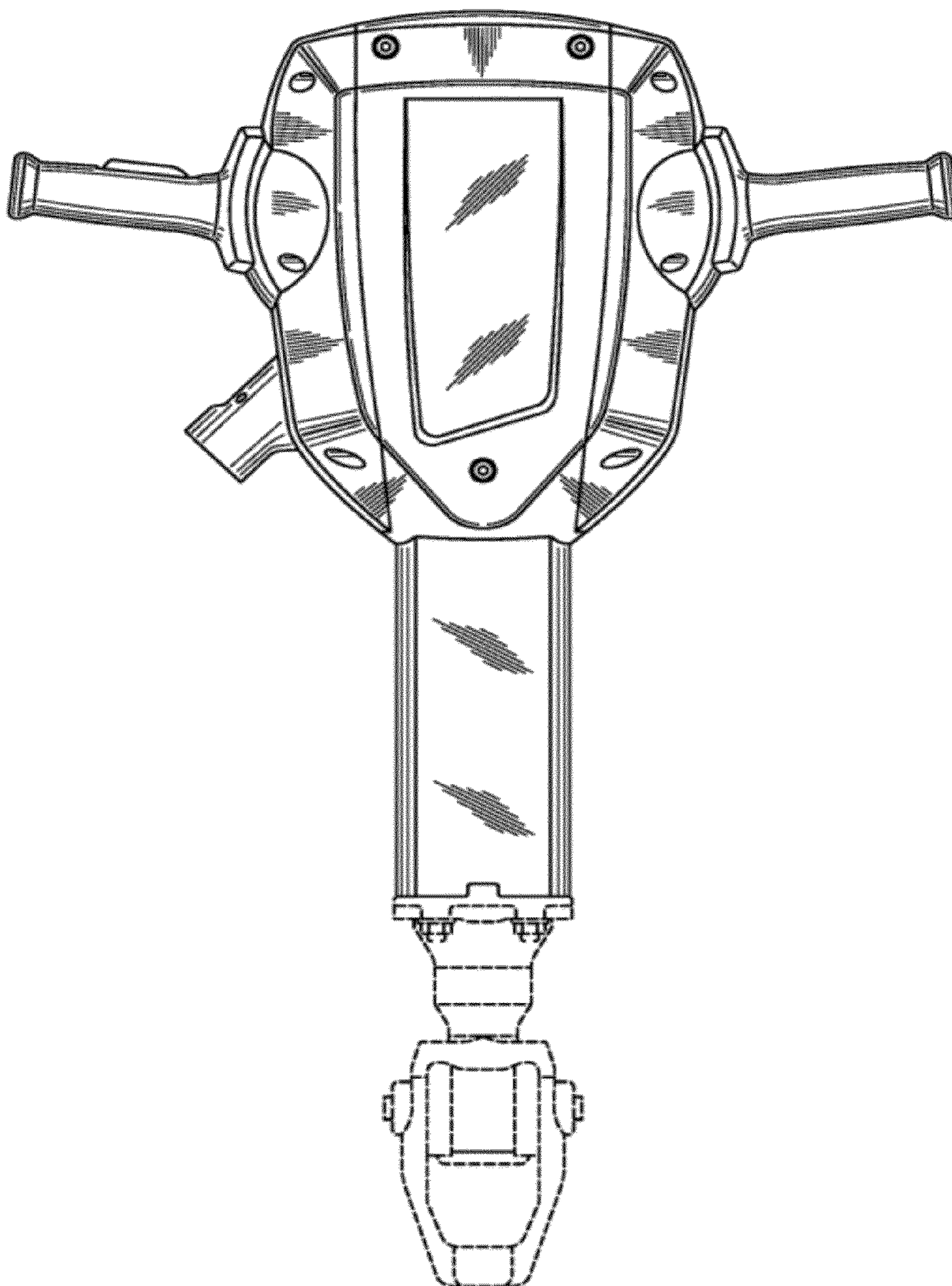


FIG. 3

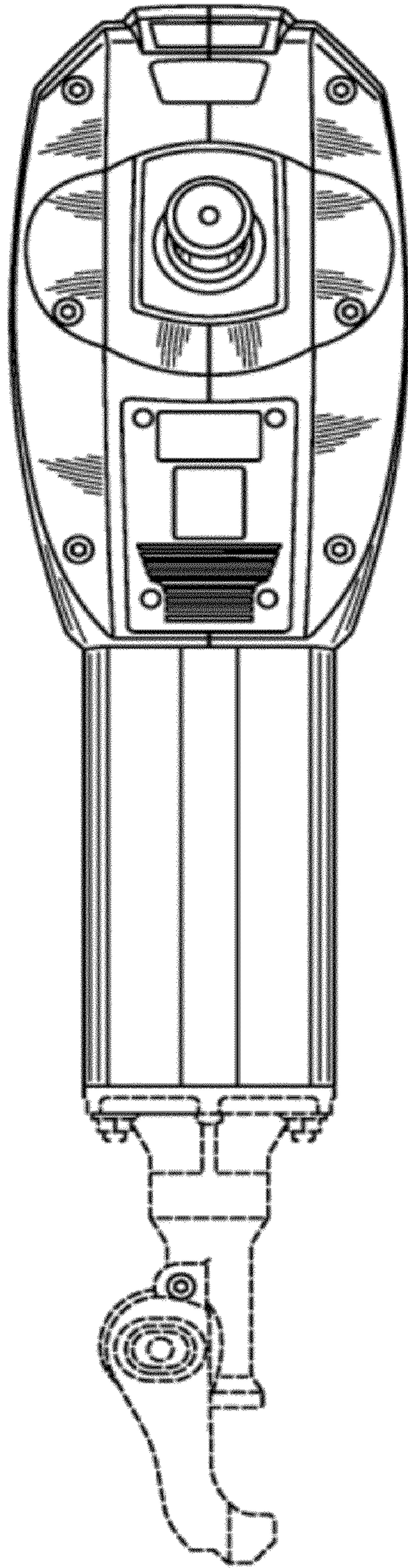


FIG. 4

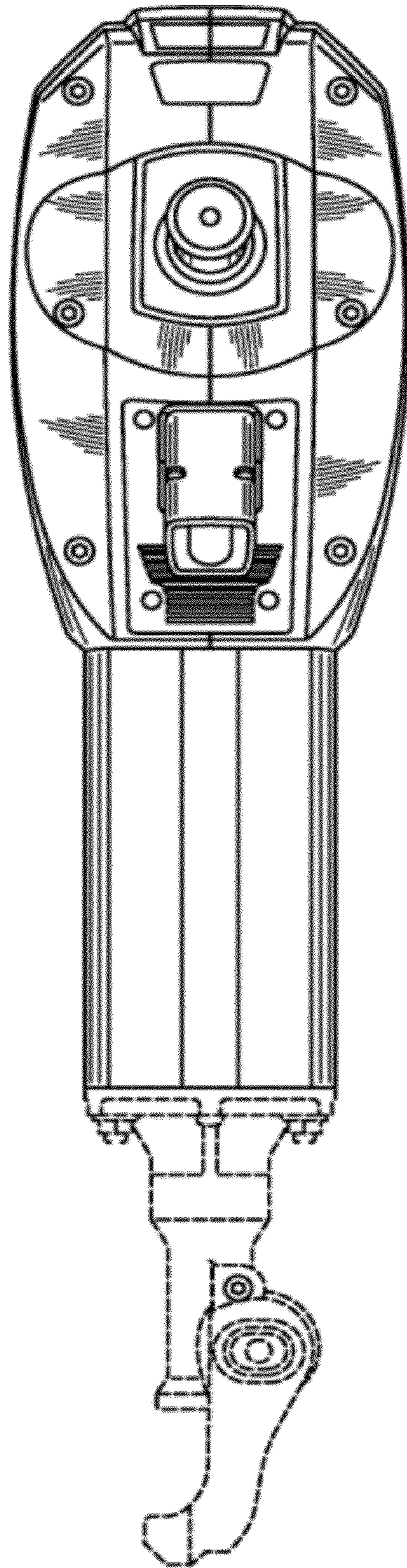


FIG. 5

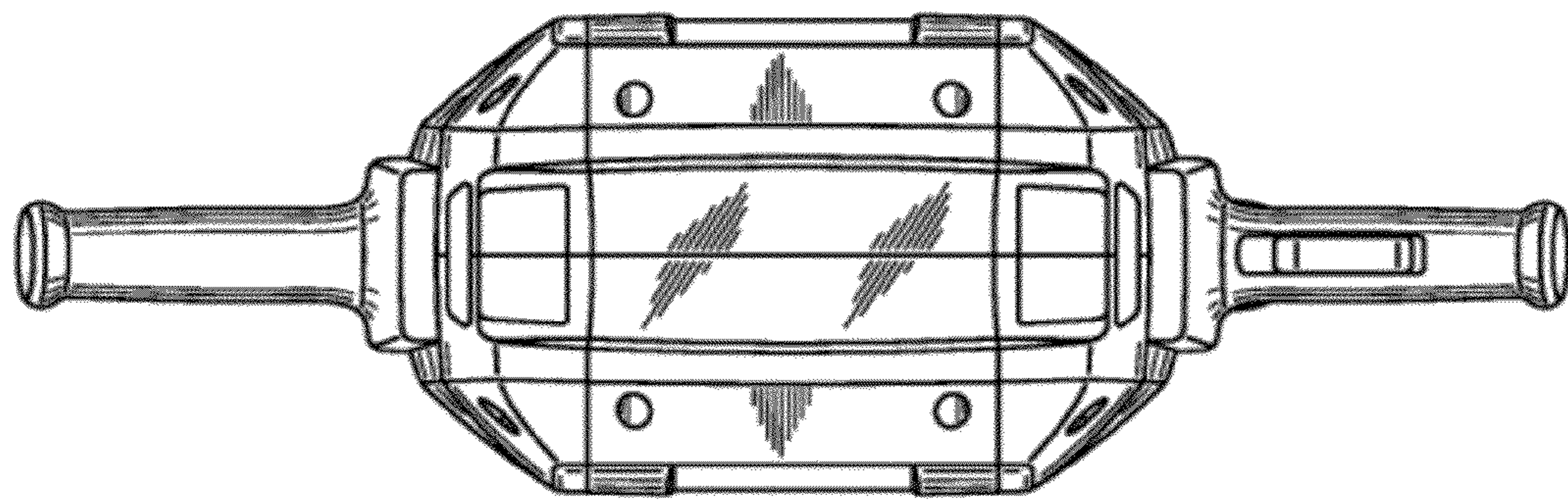


FIG. 6

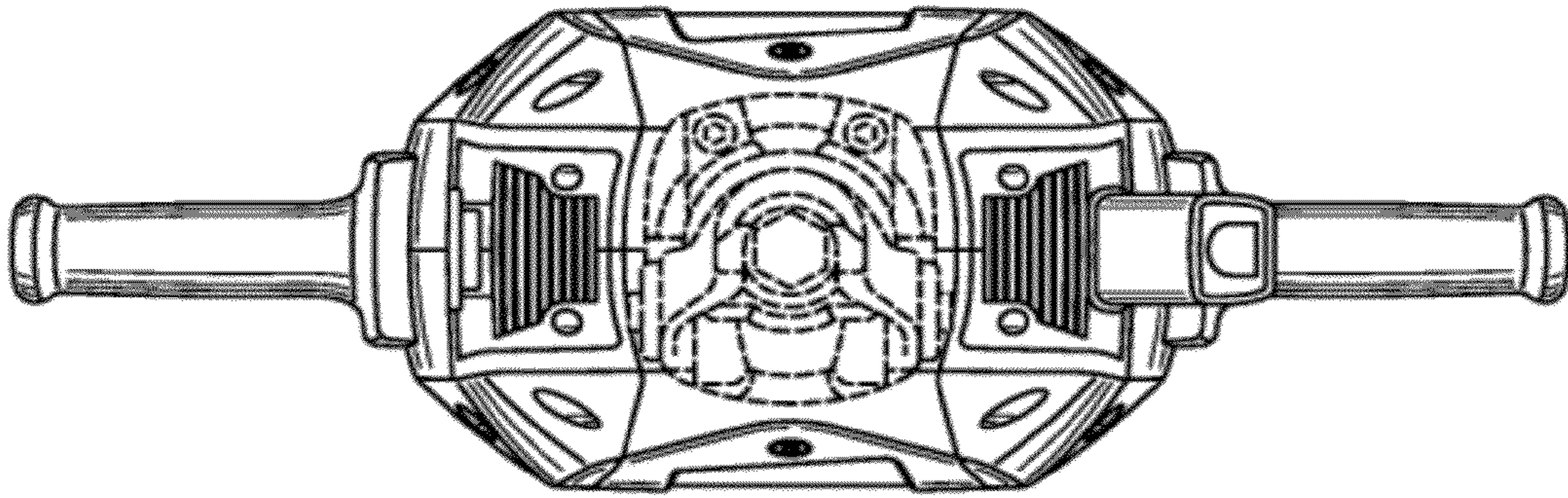


FIG. 7